



US00D847863S

(12) **United States Design Patent** (10) **Patent No.:** **US D847,863 S**
Kidd et al. (45) **Date of Patent:** **** May 7, 2019**

(54) **SLICER BLADE AND STRIKER PLATE ASSEMBLY FOR A CENTRIFUGAL PUMP**

D631,066 S * 1/2011 Itadani D15/9
D650,247 S * 12/2011 Harris D7/673
D654,508 S * 2/2012 Foreman D15/7
8,128,360 B2 * 3/2012 Sensel F04D 29/2244
415/203

(71) Applicant: **Crane Pumps & Systems, Inc.**, Piqua, OH (US)

(Continued)

(72) Inventors: **Ia Kidd**, Dayton, OH (US); **Mark Kowalak**, Troy, OH (US); **Princeton Seitz**, Troy, OH (US); **Frederick Novak**, Englewood, OH (US); **Timothy Fortner**, Covington, OH (US); **Hunter Lindeman**, Fairfield, OH (US); **Dale Allard**, Kettering, OH (US)

Primary Examiner — Khawaja Anwar
(74) *Attorney, Agent, or Firm* — Standley Law Group LLP

(57) **CLAIM**

The ornamental design for a slicer blade and striker plate assembly for a centrifugal pump, as shown and described.

(73) Assignee: **Crane Pumps & Systems, Inc.**, Piqua, OH (US)

DESCRIPTION

(**) Term: **15 Years**

(21) Appl. No.: **29/630,284**

(22) Filed: **Dec. 20, 2017**

(51) **LOC (11) Cl.** **15-02**

(52) **U.S. Cl.**
USPC **D15/7**

(58) **Field of Classification Search**
USPC D15/1-9
CPC F04B 25/00; F04B 27/00; F04B 33/00;
F04B 35/00; F04B 37/00; F04B 39/00;
F04B 39/12; F04B 41/00

See application file for complete search history.

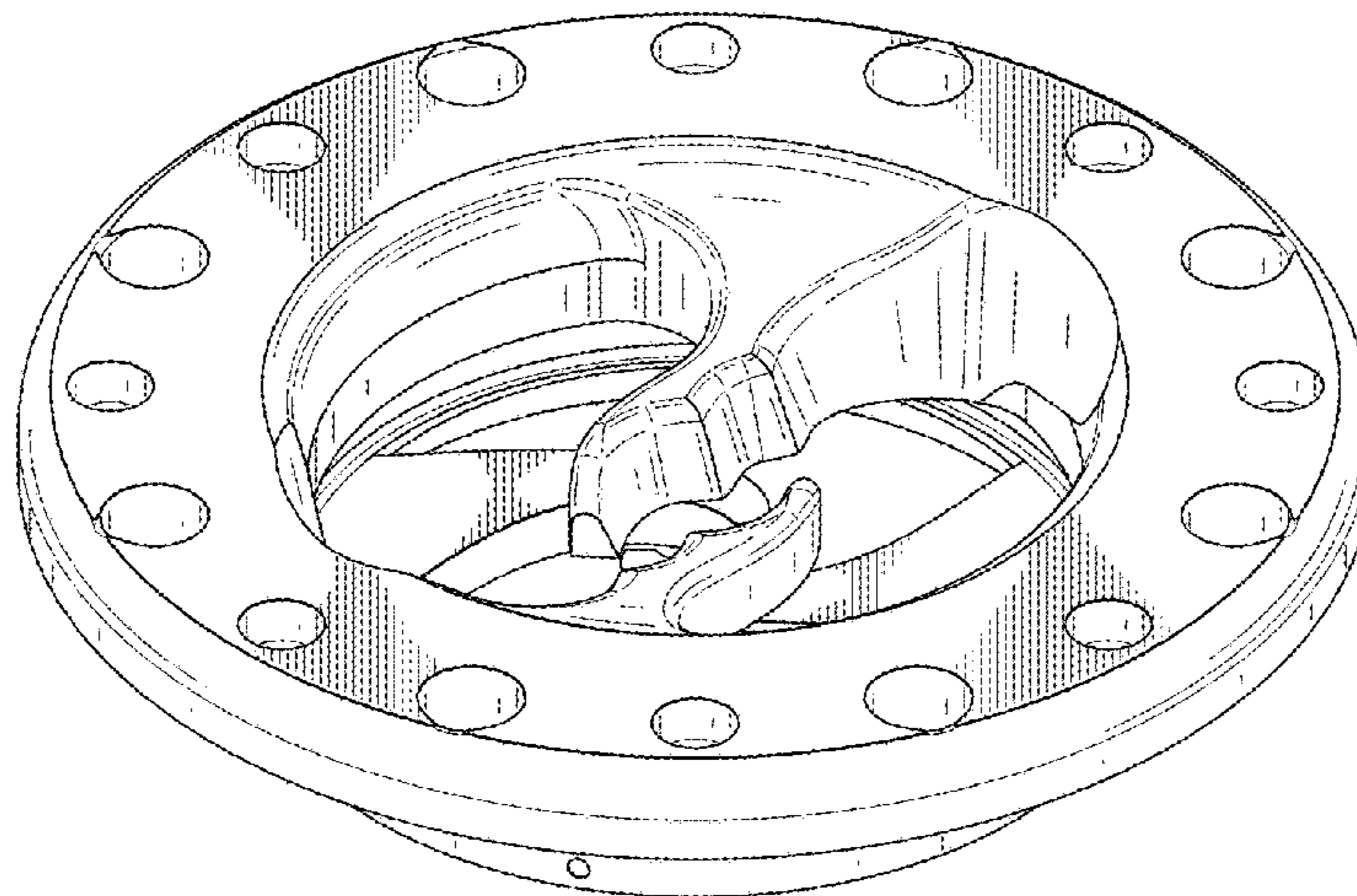
(56) **References Cited**

U.S. PATENT DOCUMENTS

D258,588 S * 3/1981 Sugiura D15/7
D382,882 S * 8/1997 Parker D15/7
D583,391 S * 12/2008 Metcalfe D15/7
D586,826 S * 2/2009 Cantrill D15/7
D602,501 S * 10/2009 Ton D15/7
D611,504 S * 3/2010 Ton D15/7
D617,349 S * 6/2010 Chu D15/9

FIG. 1 is a top front perspective view of the striker plate, isolated from the slicer blade;
FIG. 2 is a front elevation view thereof;
FIG. 3 is a rear elevation view thereof;
FIG. 4 is a left side elevation view thereof;
FIG. 5 is a right side elevation view thereof;
FIG. 6 is a top plan view thereof;
FIG. 7 is a bottom plan view thereof;
FIG. 8 is a bottom front perspective view thereof;
FIG. 9 is a top front perspective view of the slicer blade, isolated from the striker plate;
FIG. 10 is a front elevation view thereof;
FIG. 11 is a rear elevation view thereof;
FIG. 12 is a left side elevation view thereof;
FIG. 13 is a right side elevation view thereof;
FIG. 14 is a top plan view thereof;
FIG. 15 is a bottom plan view thereof;
FIG. 16 is a bottom front perspective view thereof;
FIG. 17 is a top front perspective view of the slicer blade and striker plate assembly, with the respective bottom surfaces of the slicer blade and the striker plate facing each other and aligned for rotation; and,
FIG. 18 is an exploded top front perspective view of the assembly of FIG. 17.

1 Claim, 12 Drawing Sheets



(56)

References Cited

U.S. PATENT DOCUMENTS

8,439,642 B2 * 5/2013 Scott F04D 7/045
415/206
D707,717 S * 6/2014 King D15/7
D707,718 S * 6/2014 Gomez D15/7
9,086,075 B2 * 7/2015 Miller F01D 5/048
D762,840 S * 8/2016 Wilkins D15/7
D776,166 S * 1/2017 Obuchi D15/7
D776,496 S * 1/2017 Mirchandani D7/672
D819,085 S * 5/2018 Ferguson D15/7
D824,960 S * 8/2018 Geldenhuys D15/7
D828,400 S * 9/2018 Cinotti D15/7
D831,702 S * 10/2018 Wilkins D15/5
2010/0284812 A1 * 11/2010 Zahdeh F04D 29/2216
416/185
2016/0040682 A1 * 2/2016 Walker F04D 7/04
416/185

* cited by examiner

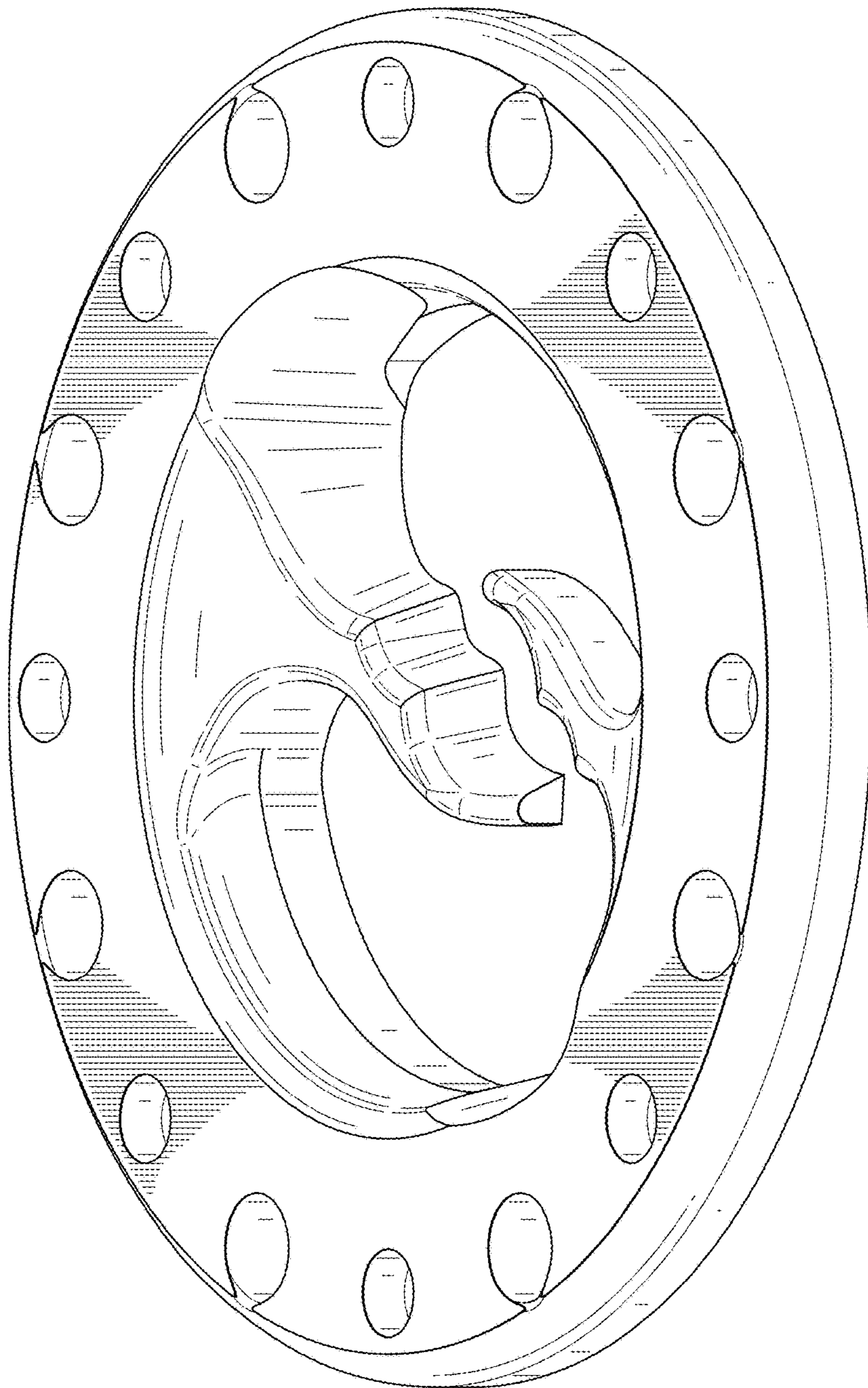


FIG. 1

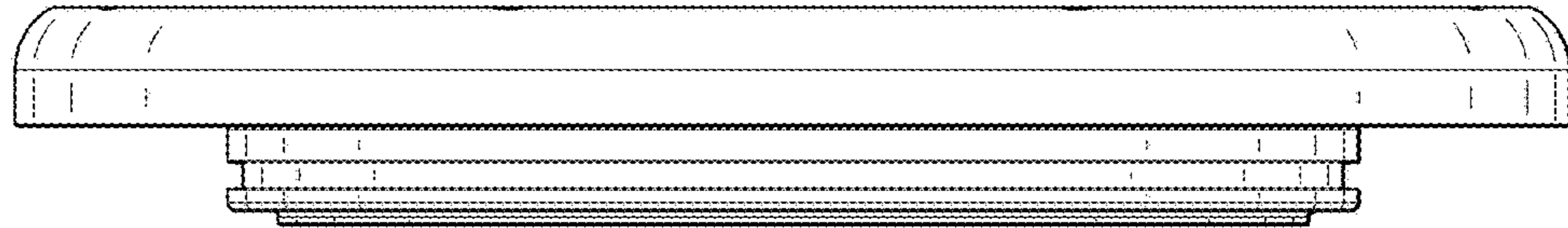


FIG. 2

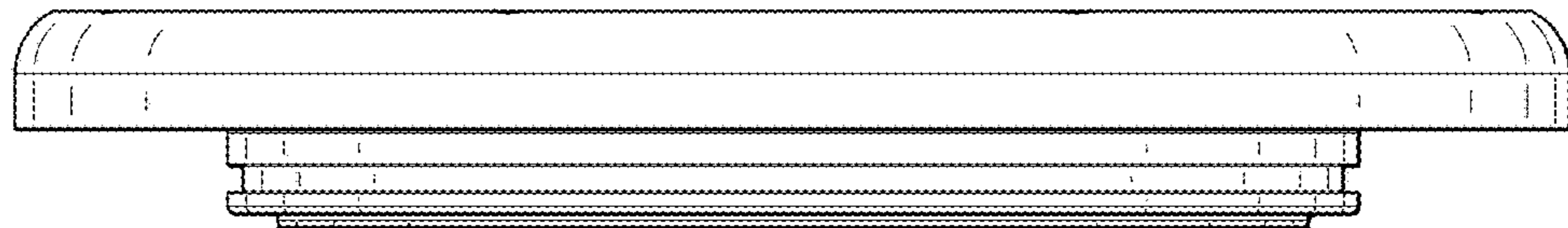


FIG. 3

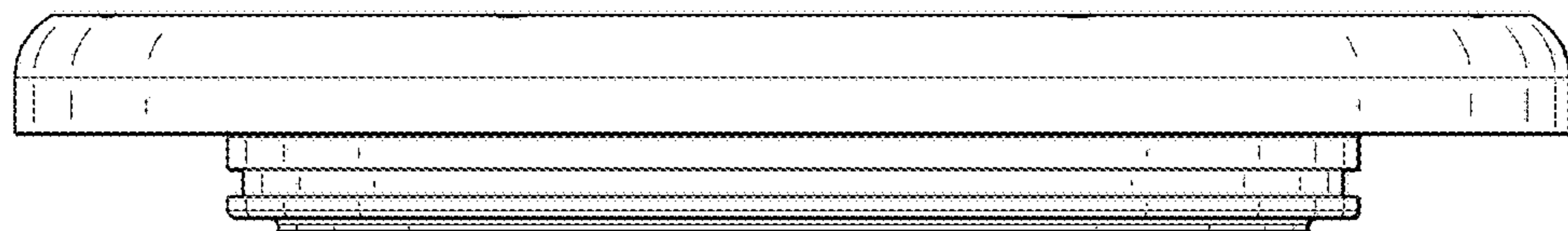


FIG. 4

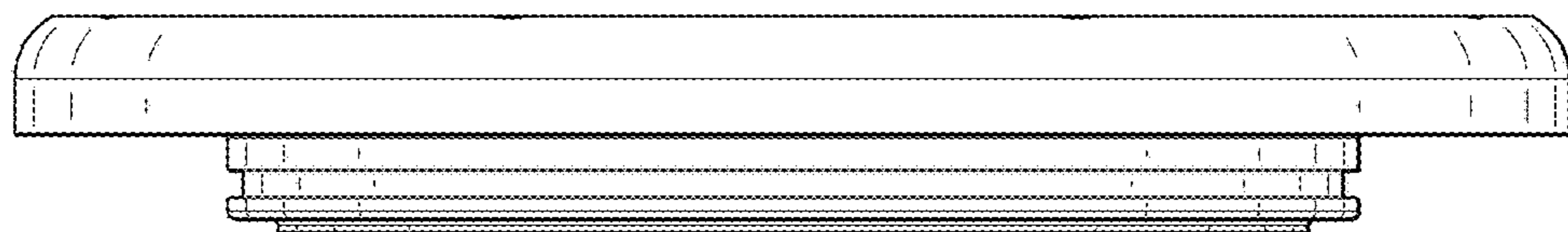


FIG. 5

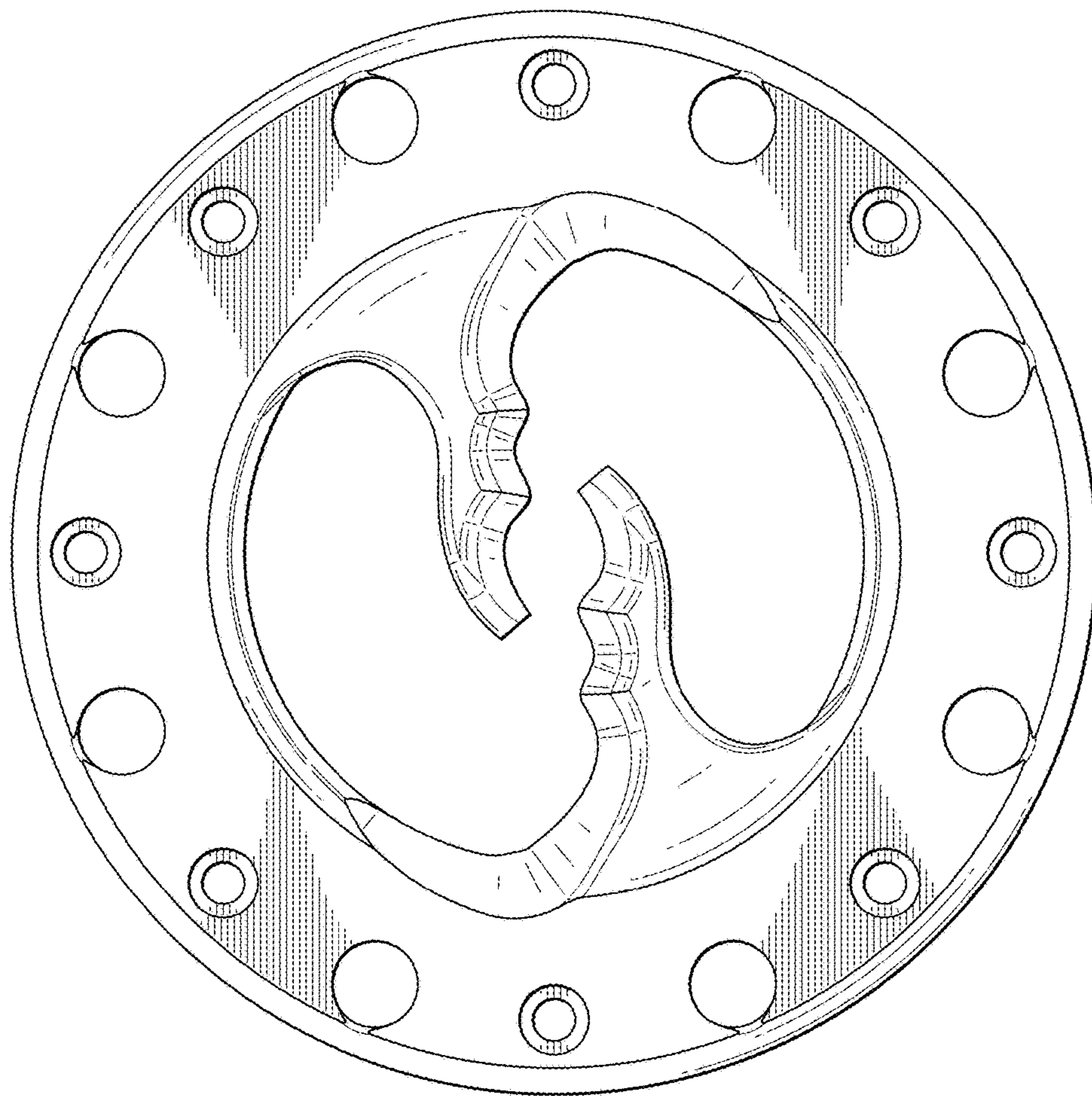


FIG. 6

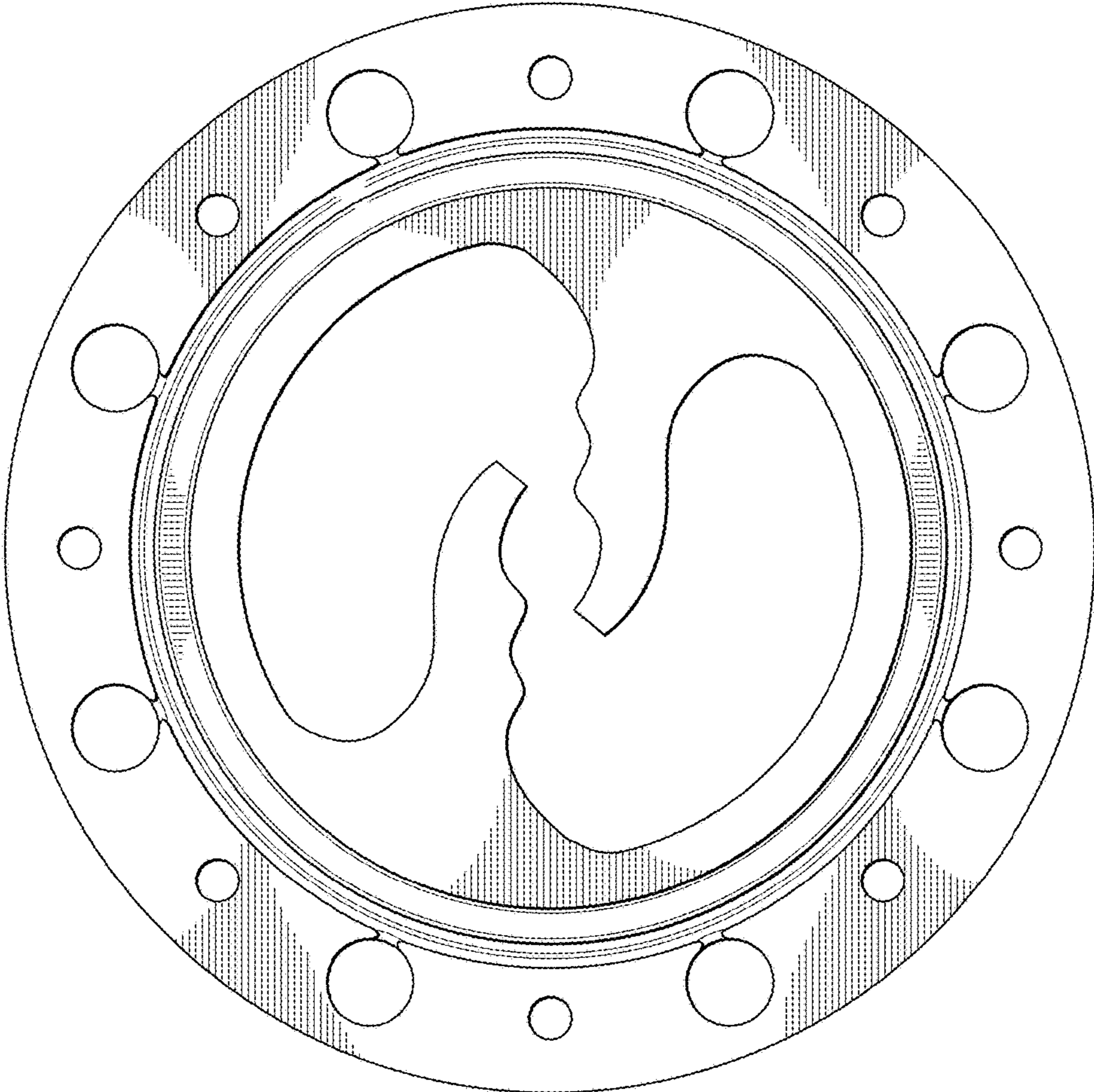


FIG. 7

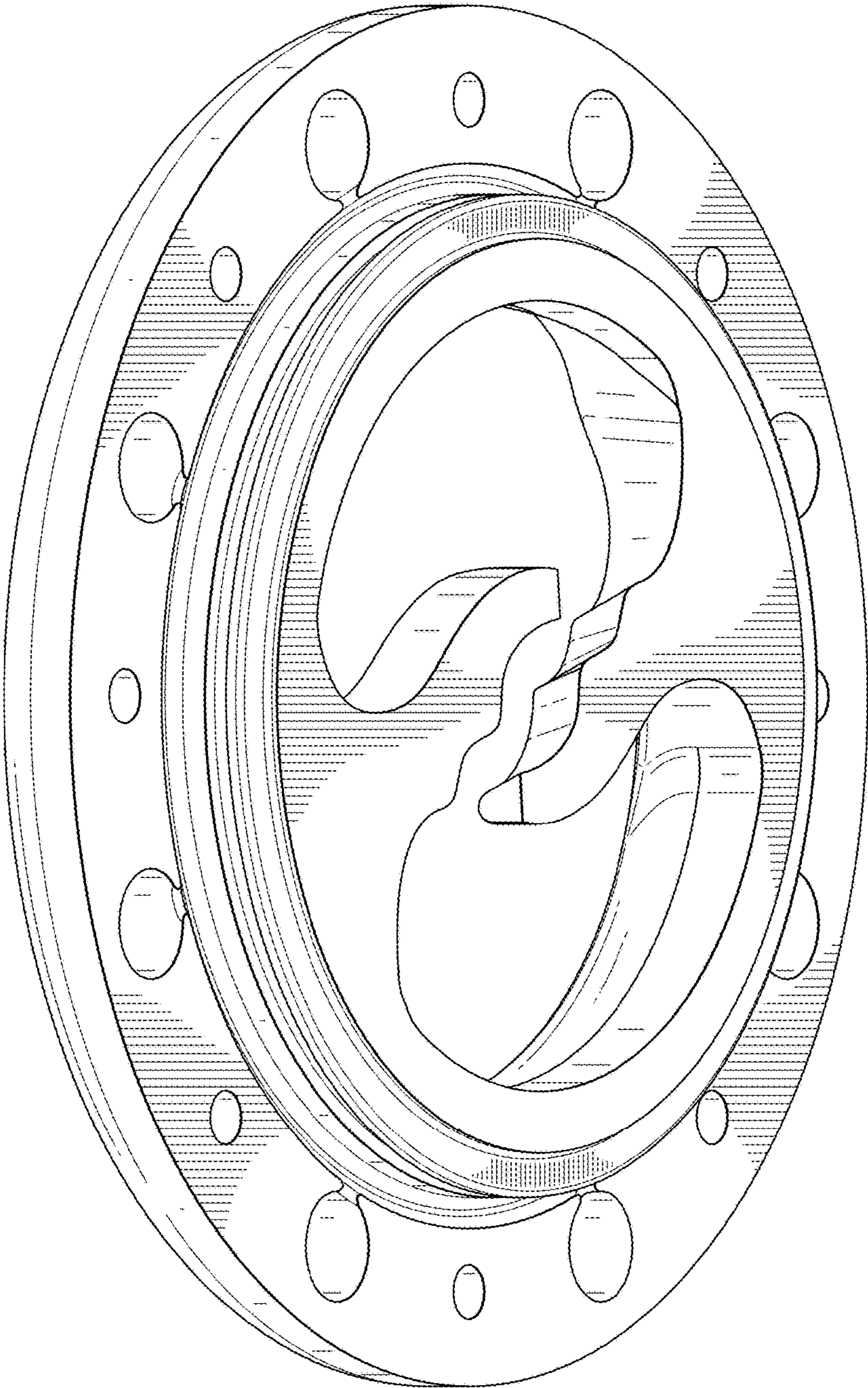


FIG. 8

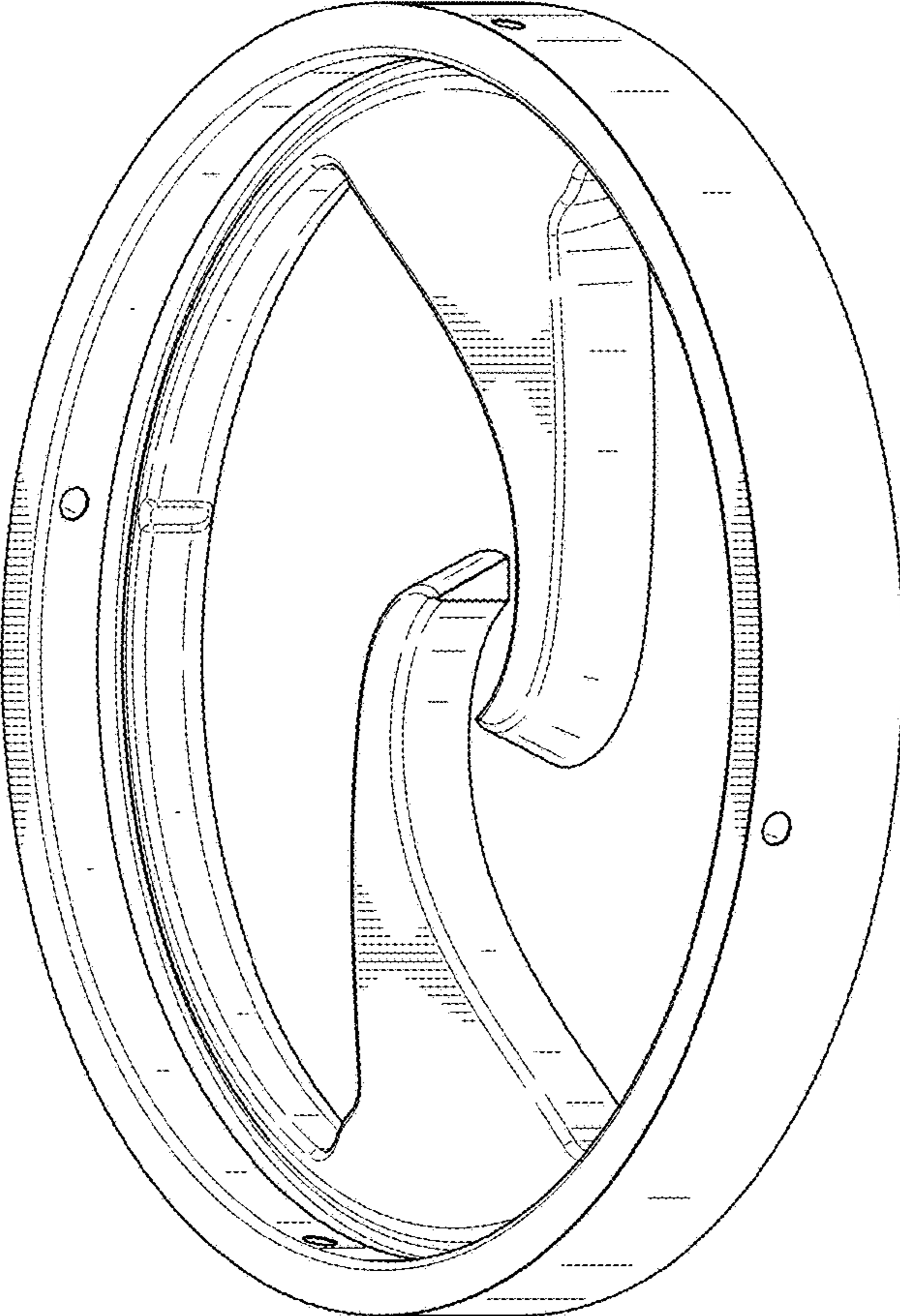


FIG. 9



FIG. 10



FIG. 11



FIG. 12



FIG. 13

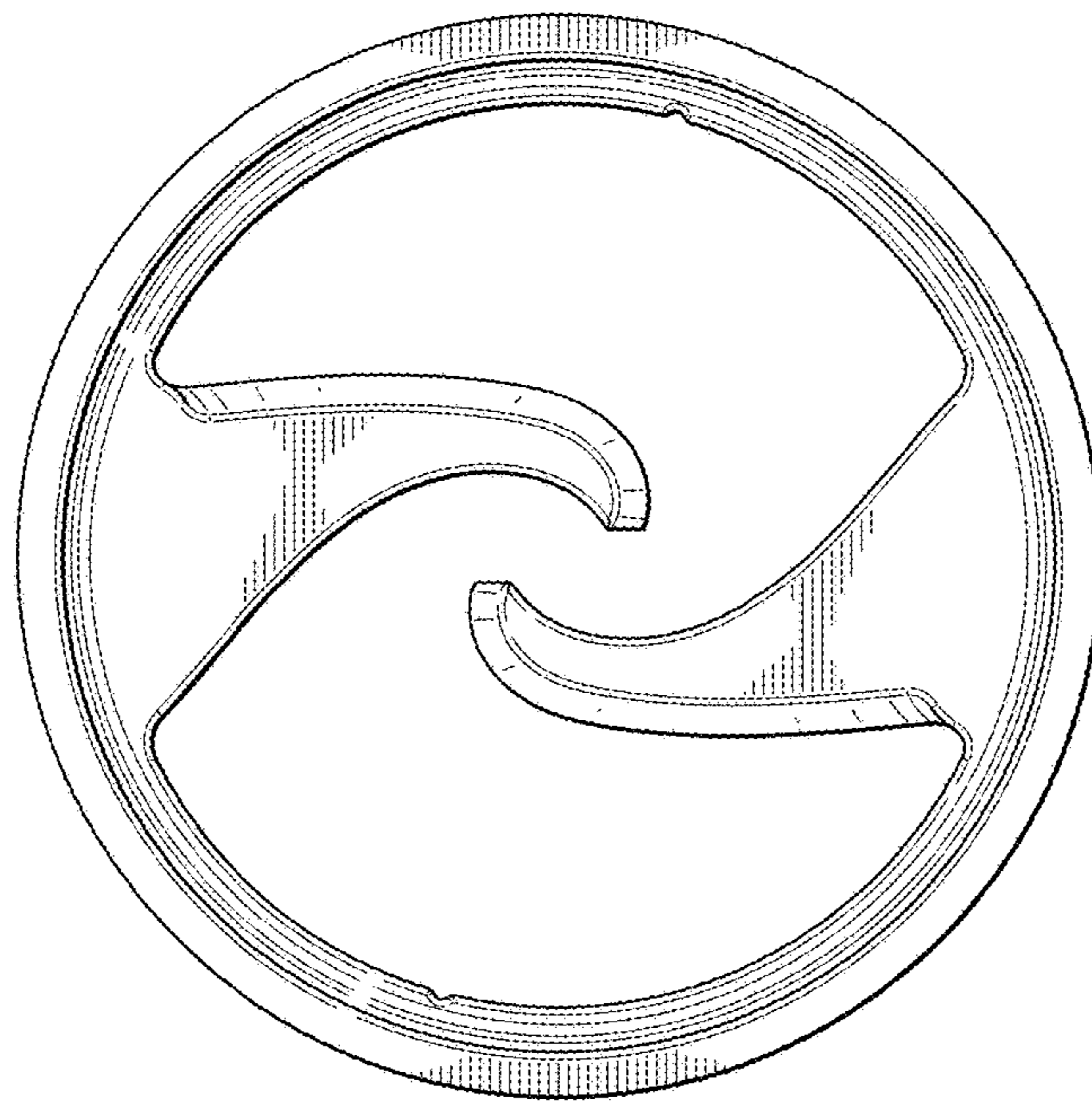


FIG. 14

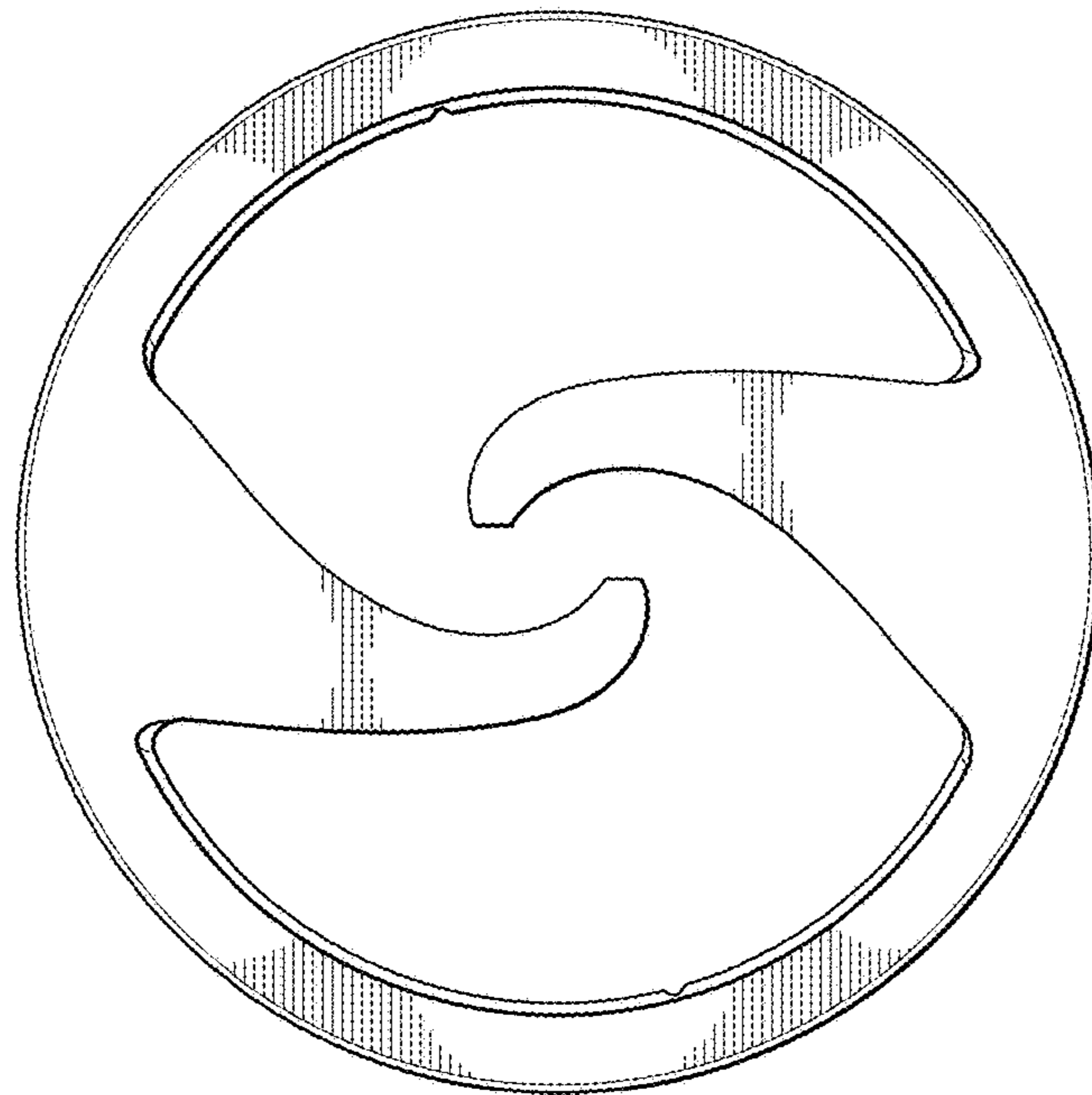


FIG. 15

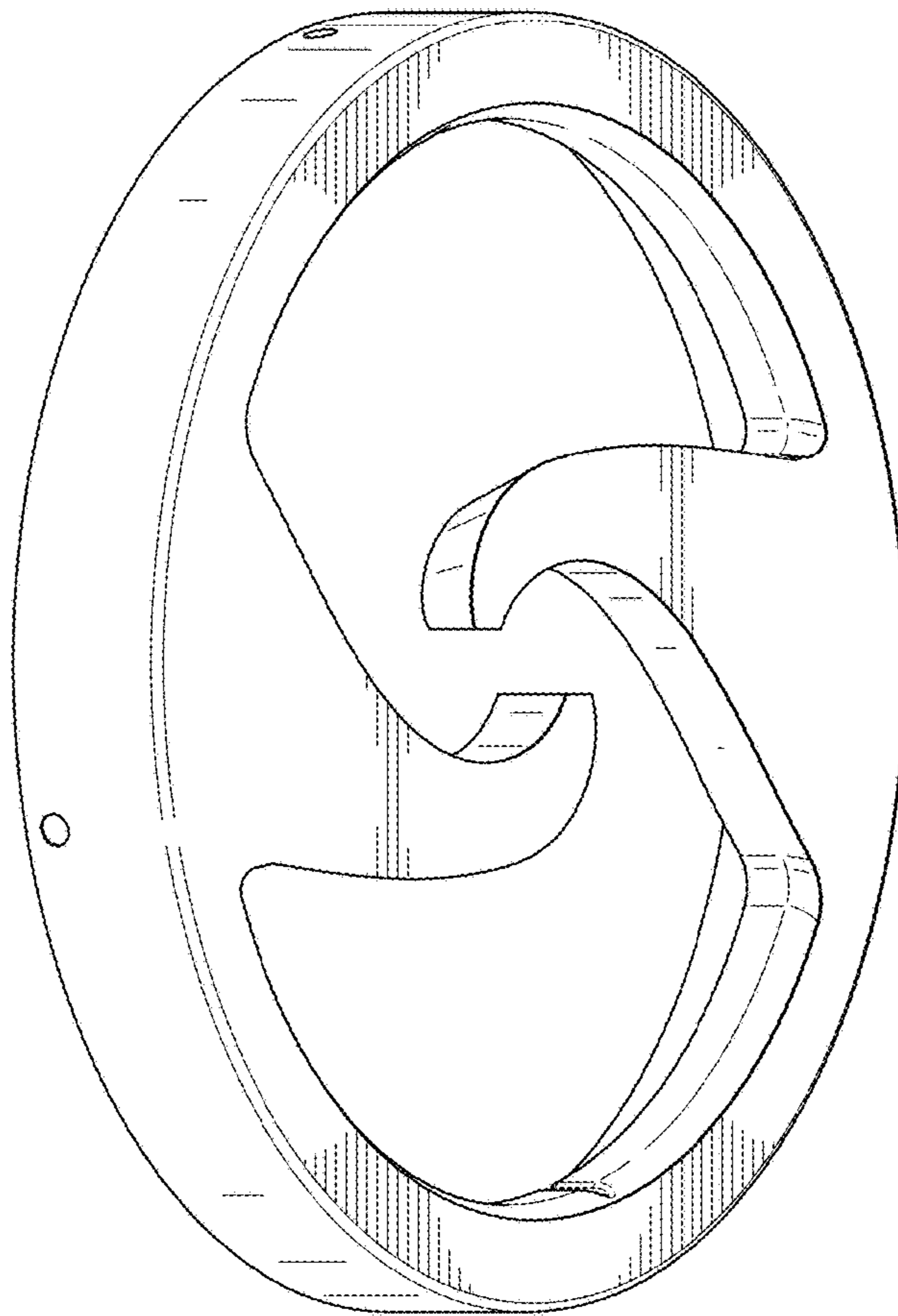


FIG. 16

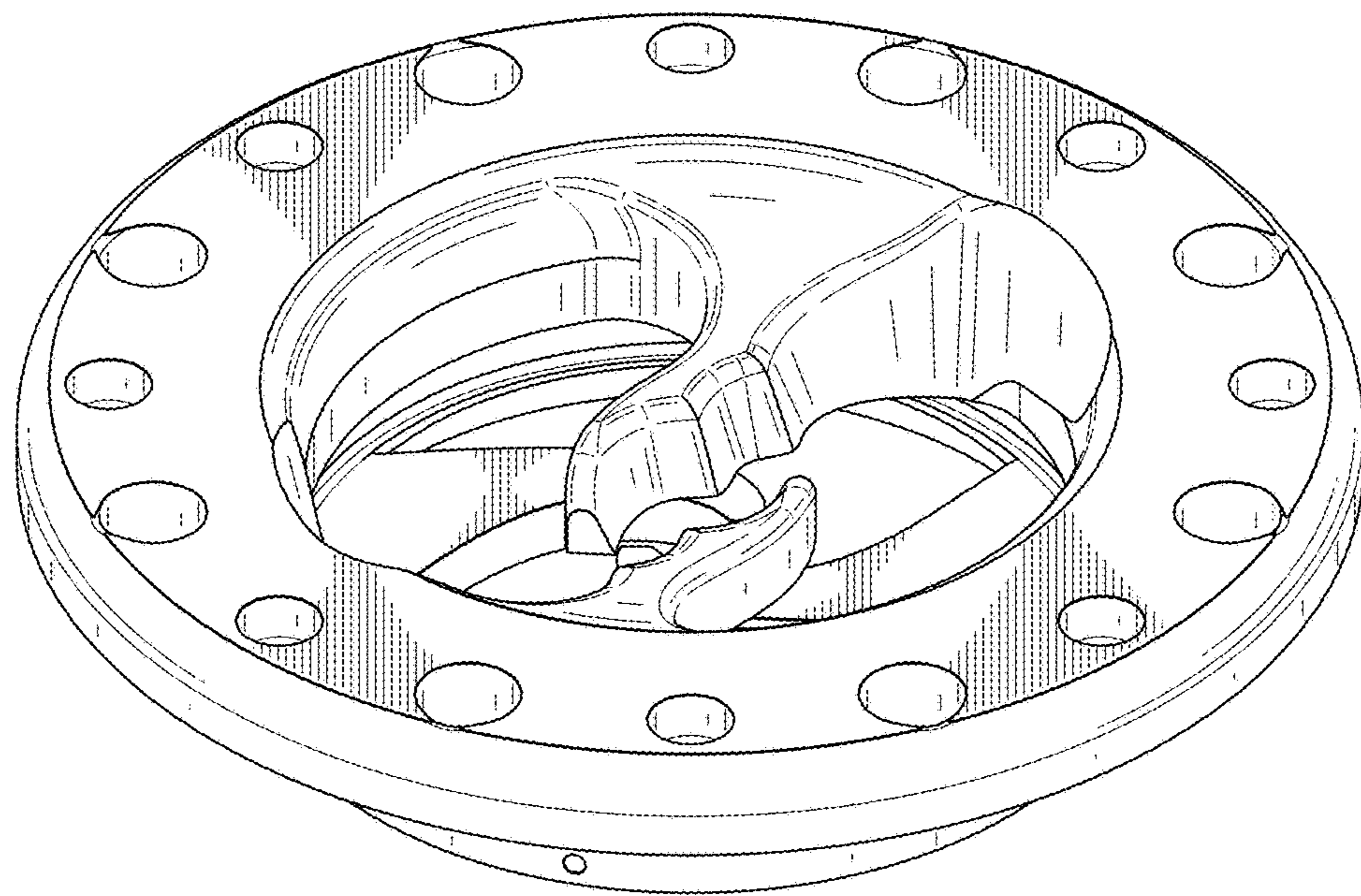


FIG. 17

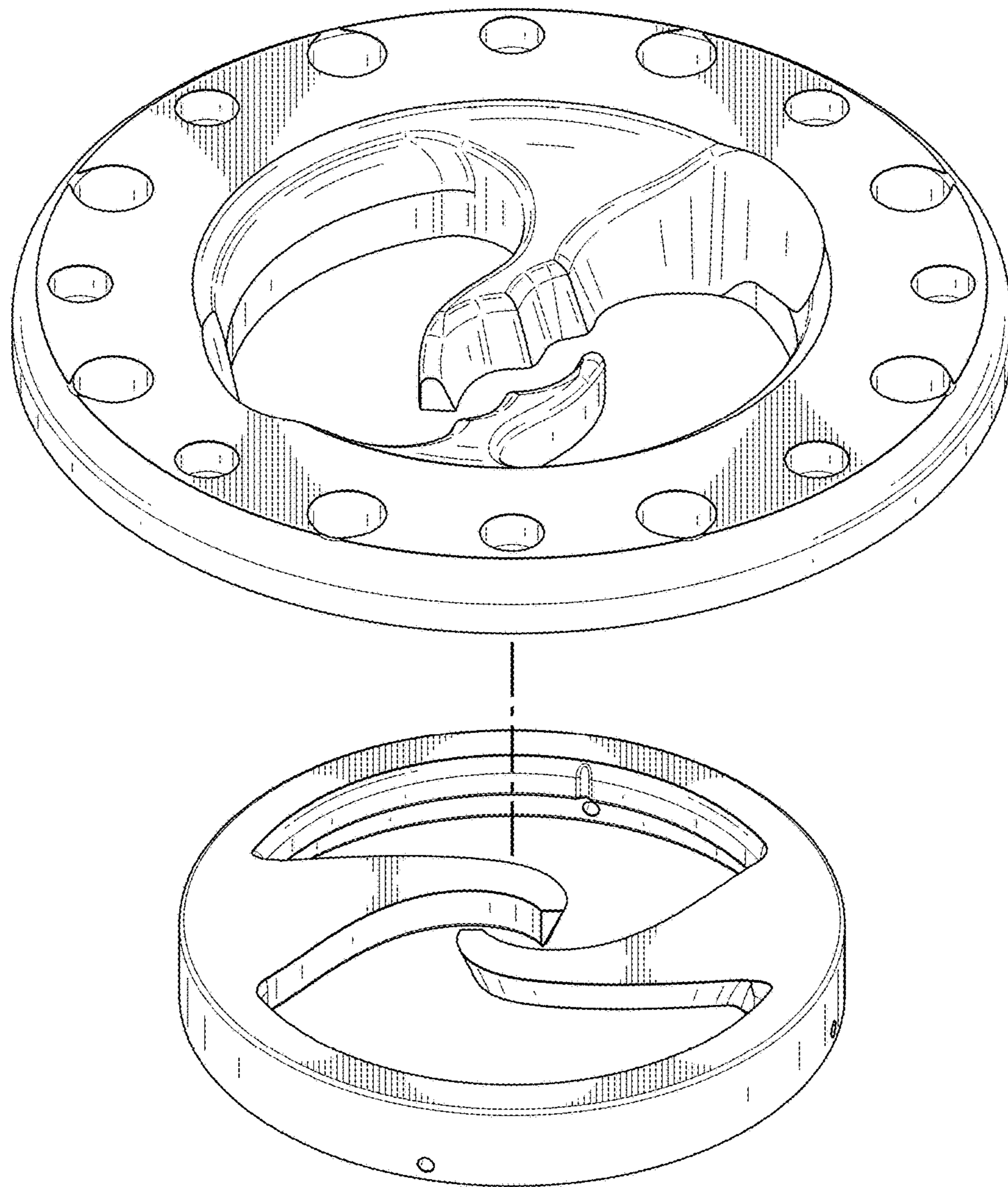


FIG. 18