



US00D847862S

(12) **United States Design Patent** (10) **Patent No.:** **US D847,862 S**
Wilkins (45) **Date of Patent:** **** May 7, 2019**

(54) **INDUCER IMPELLER**
(71) Applicant: **Wilkins IP, LLC**, New Albany, IN (US)
(72) Inventor: **Stephen P. Wilkins**, Floyds Knobs, IN (US)
(73) Assignee: **Wilkins IP, LLC**, New Albany, IN (US)
(**) Term: **15 Years**
(21) Appl. No.: **29/597,937**
(22) Filed: **Mar. 21, 2017**
(51) **LOC (11) Cl.** **15-02**
(52) **U.S. Cl.**
USPC **D15/7**
(58) **Field of Classification Search**
USPC D15/5, 7; D23/370, 377, 379, 381, 382, D23/385, 411, 413, 414, 332, 328; D26/59; D13/179
CPC F04D 25/08; F04D 29/388; F04D 29/34; F04D 25/088; F04D 29/282; F04D 25/0613; F04D 29/30; F04D 29/386; F04D 29/281; F04D 19/00; F04D 19/022; F04D 19/002; F04D 29/22; F04D 17/08; F04D 29/28; F04D 1/00; H02K 1/187; F21V 33/0096
See application file for complete search history.

2014/0328689 A1* 11/2014 Ishikawa F04D 29/285 416/223 R
2018/0112673 A1* 4/2018 Manninen F04D 1/00
2018/0180050 A1* 6/2018 Hayamitsu F04D 17/06
2018/0180058 A1* 6/2018 Hayamitsu F04D 17/06

* cited by examiner

Primary Examiner — T Chase Nelson
Assistant Examiner — Ania Aman
(74) *Attorney, Agent, or Firm* — Lee & Hayes, P.C.

(57) **CLAIM**

The ornamental design for an inducer impeller, as shown and described.

DESCRIPTION

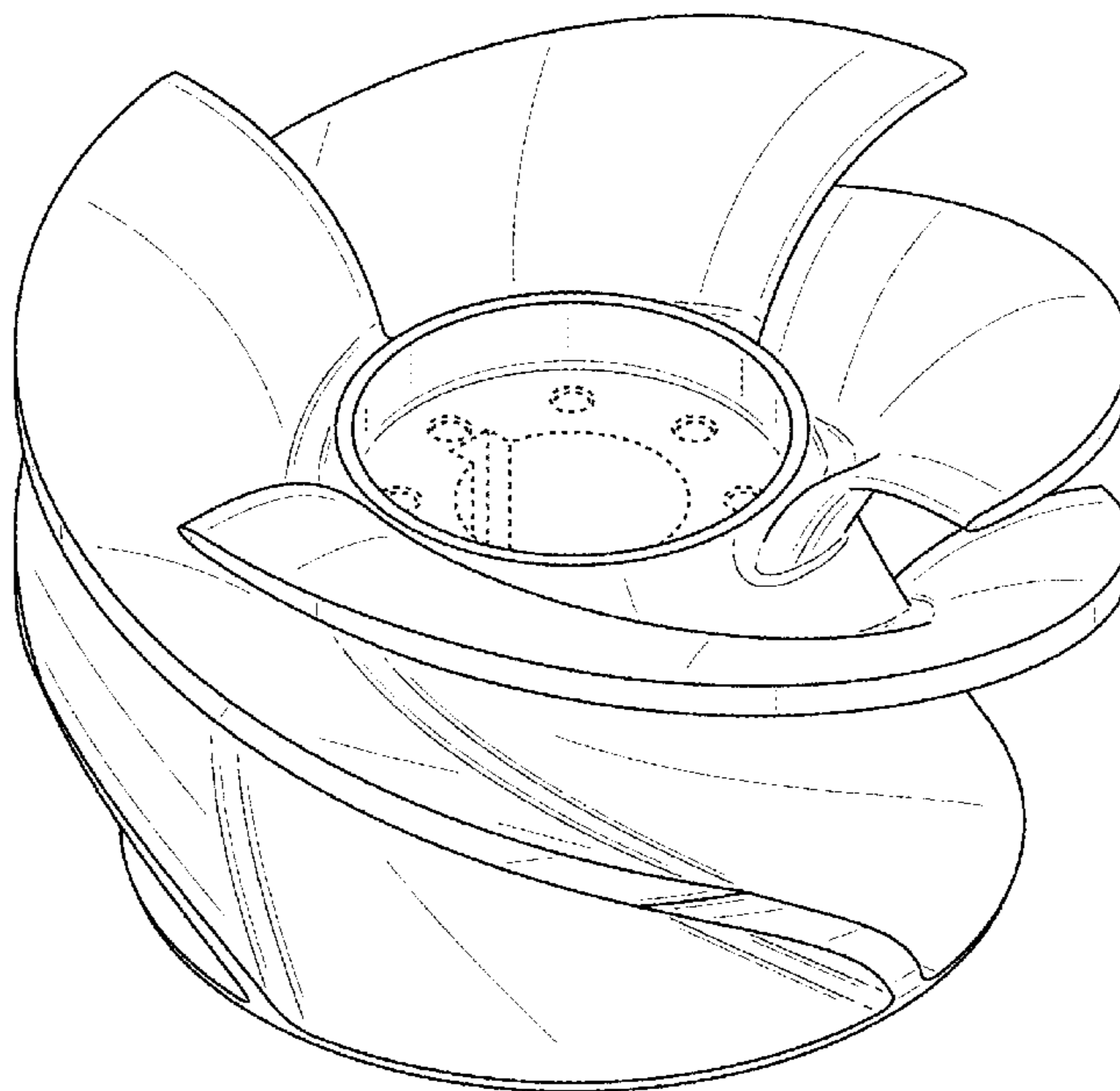
FIG. 1 is a first perspective view of an inducer impeller, taken from above.
FIG. 2 is a second perspective view of the inducer impeller, taken from below.
FIG. 3 is a front view of the inducer impeller of FIG. 1.
FIG. 4 is a back view of the inducer impeller of FIG. 1.
FIG. 5 is a left-side view of the inducer impeller of FIG. 1.
FIG. 6 is a right-side view of the inducer impeller of FIG. 1.
FIG. 7 is a top view of the inducer impeller of FIG. 1.
FIG. 8 is a bottom view of the inducer impeller of FIG. 1.
FIG. 9 is a cross-sectional view of the inducer impeller taken along line 9-9 shown in FIG. 7 ; and,
FIG. 10 is a cross-sectional view of the inducer impeller taken along line 10-10 shown in FIG. 7.
The broken lines represent features of the inducer impeller which form no part of the claimed design.

(56) **References Cited**

U.S. PATENT DOCUMENTS

D583,391 S * 12/2008 Metcalfe D15/7
D762,841 S * 8/2016 Wilkins D15/7

1 Claim, 10 Drawing Sheets



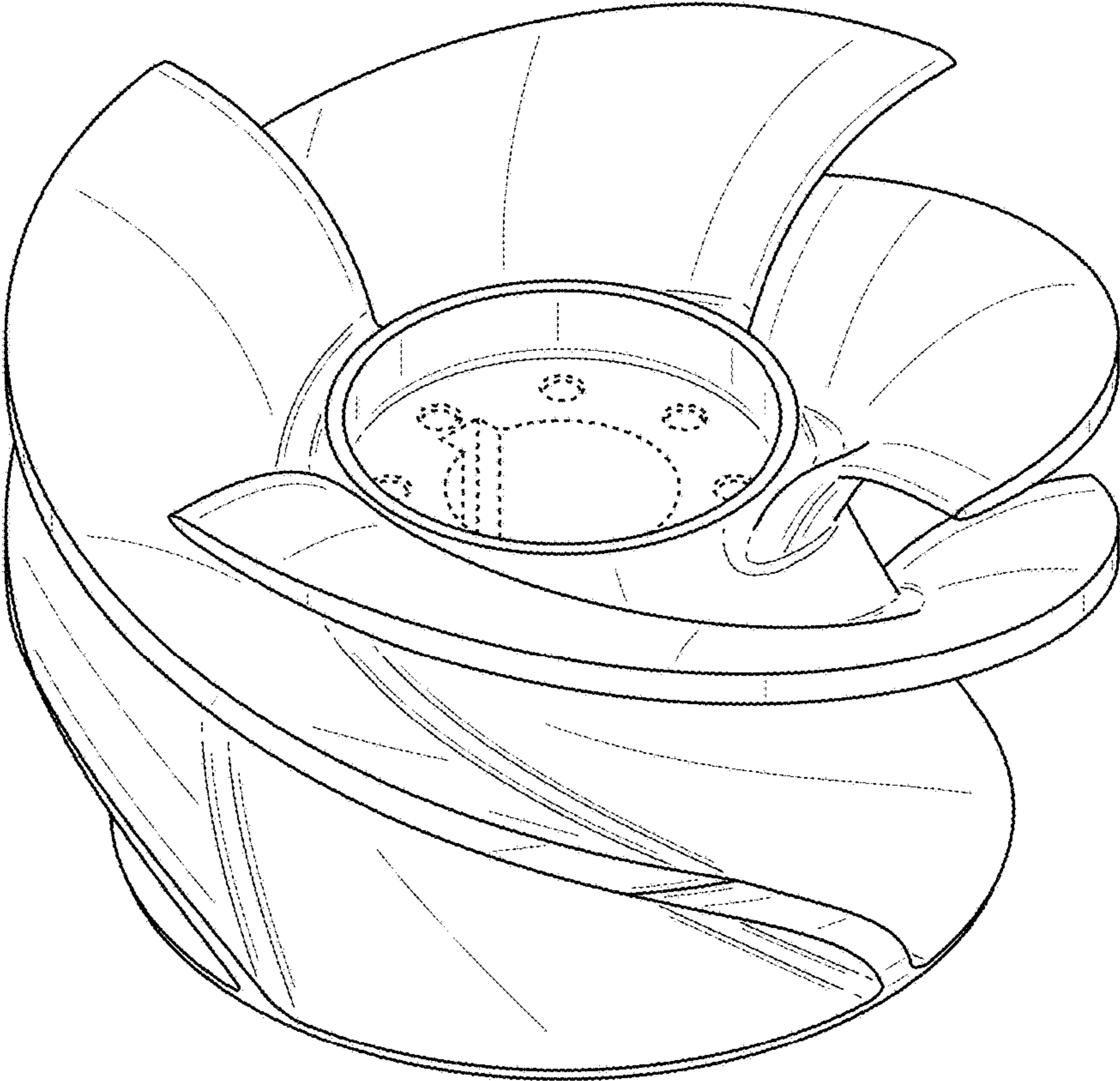


FIG. 1

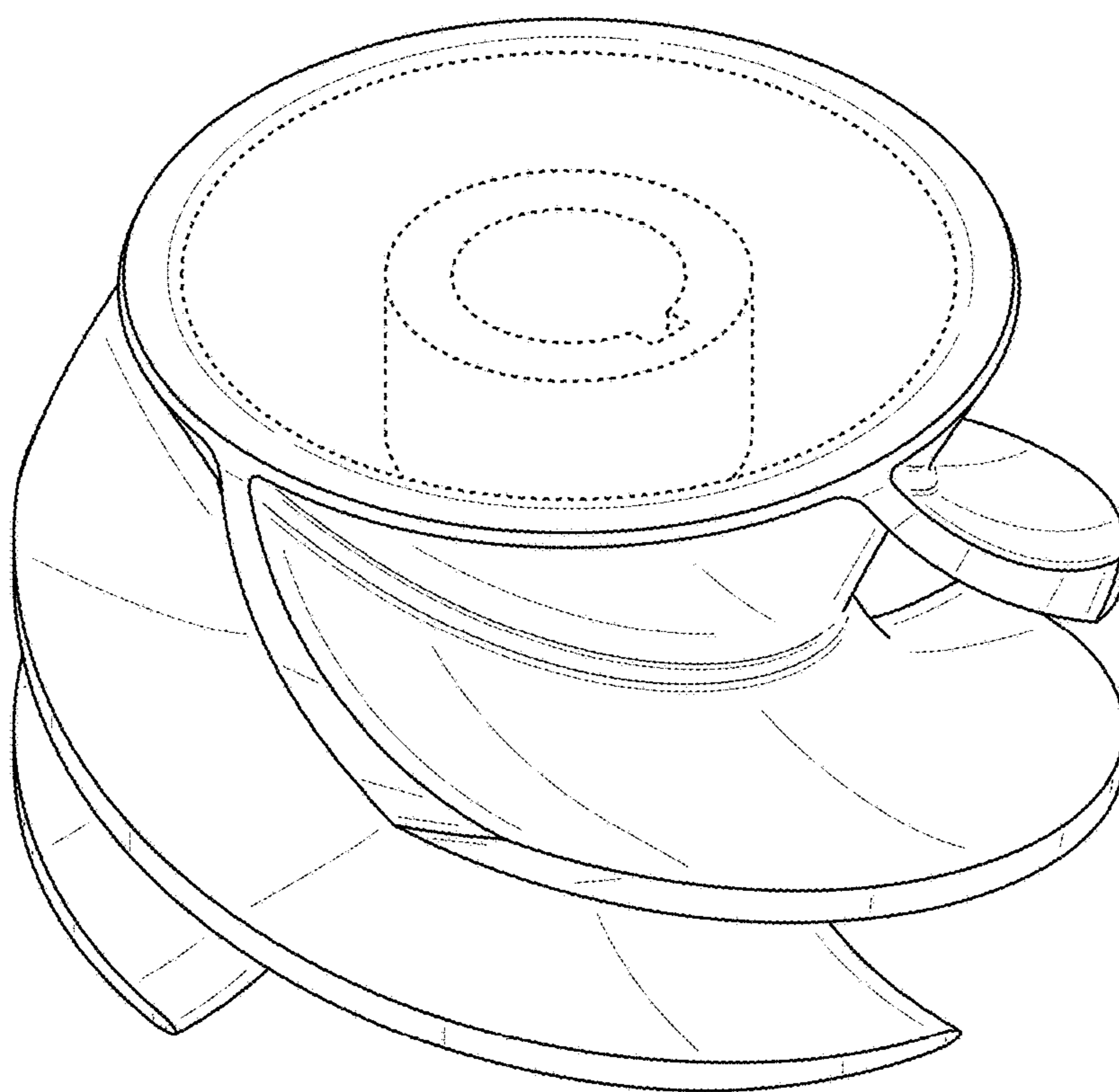


FIG. 2

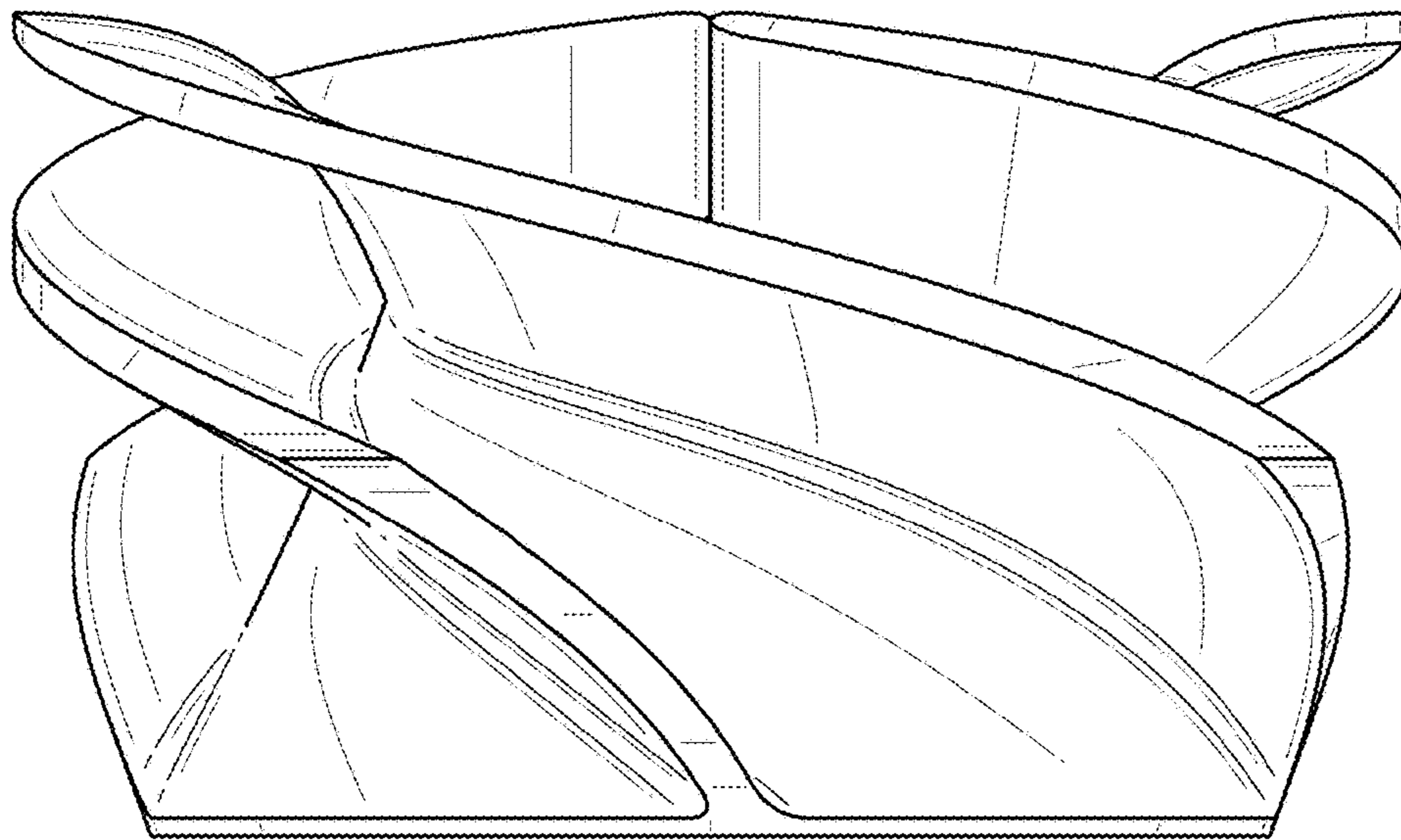


FIG. 3

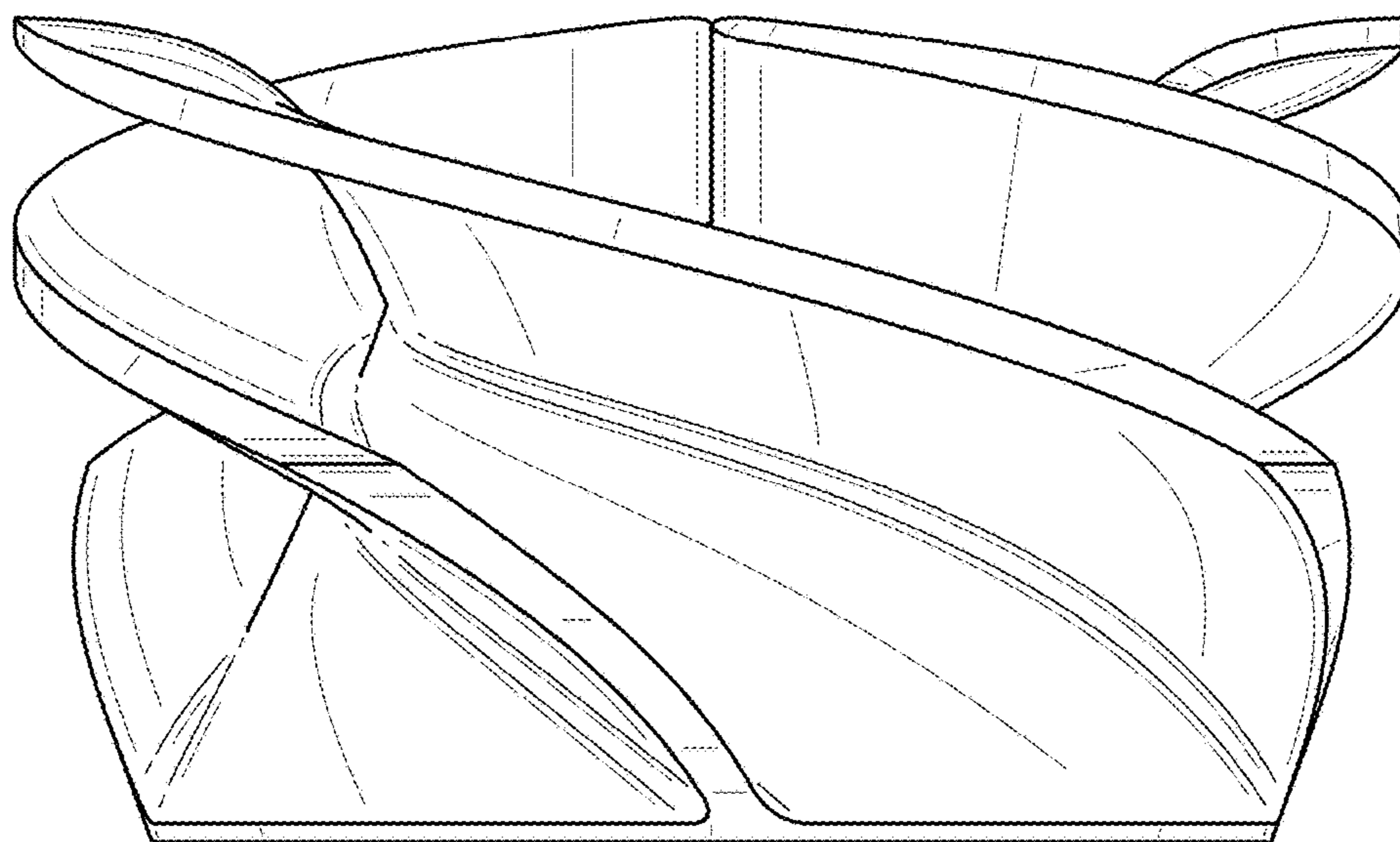


FIG. 4

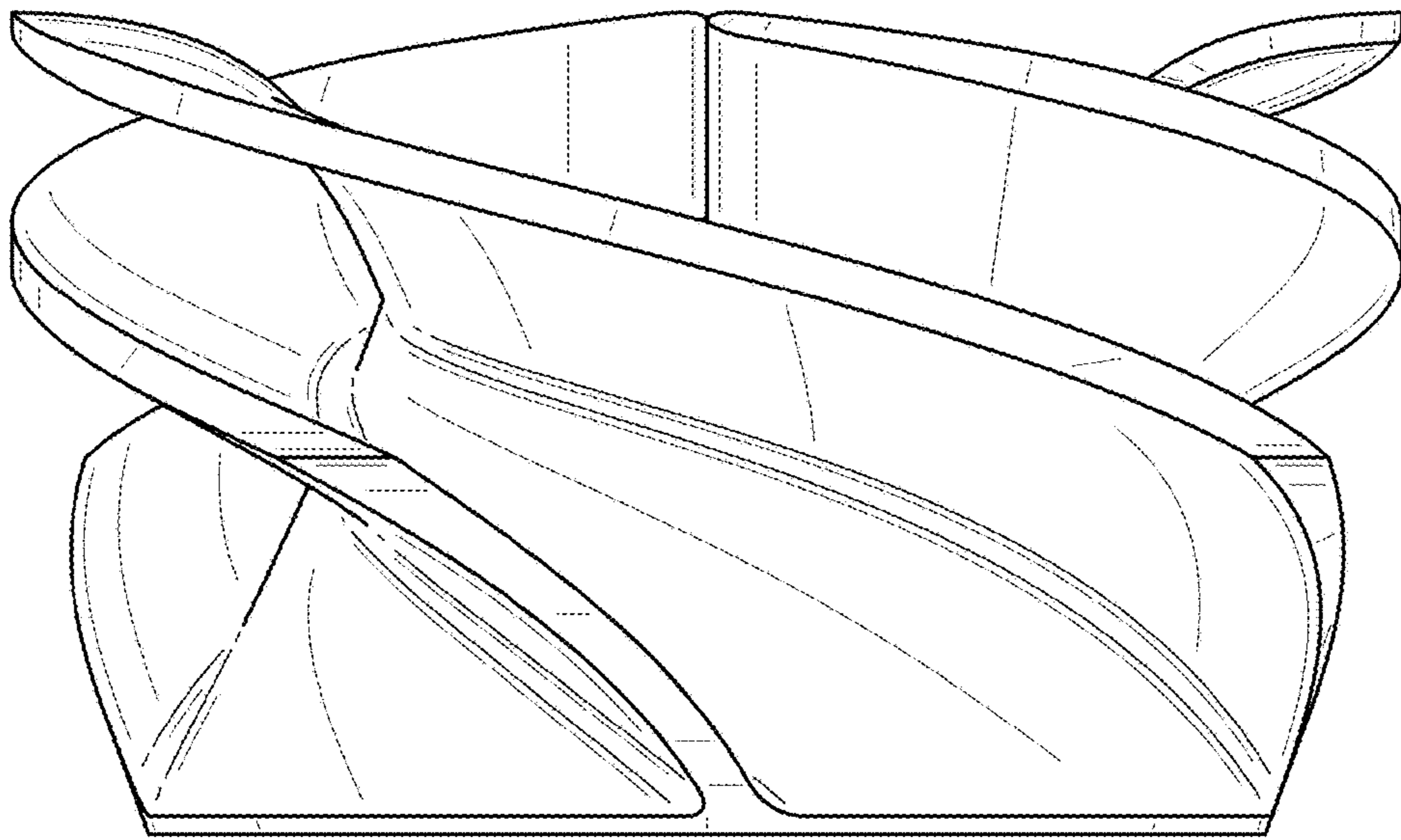


FIG. 5

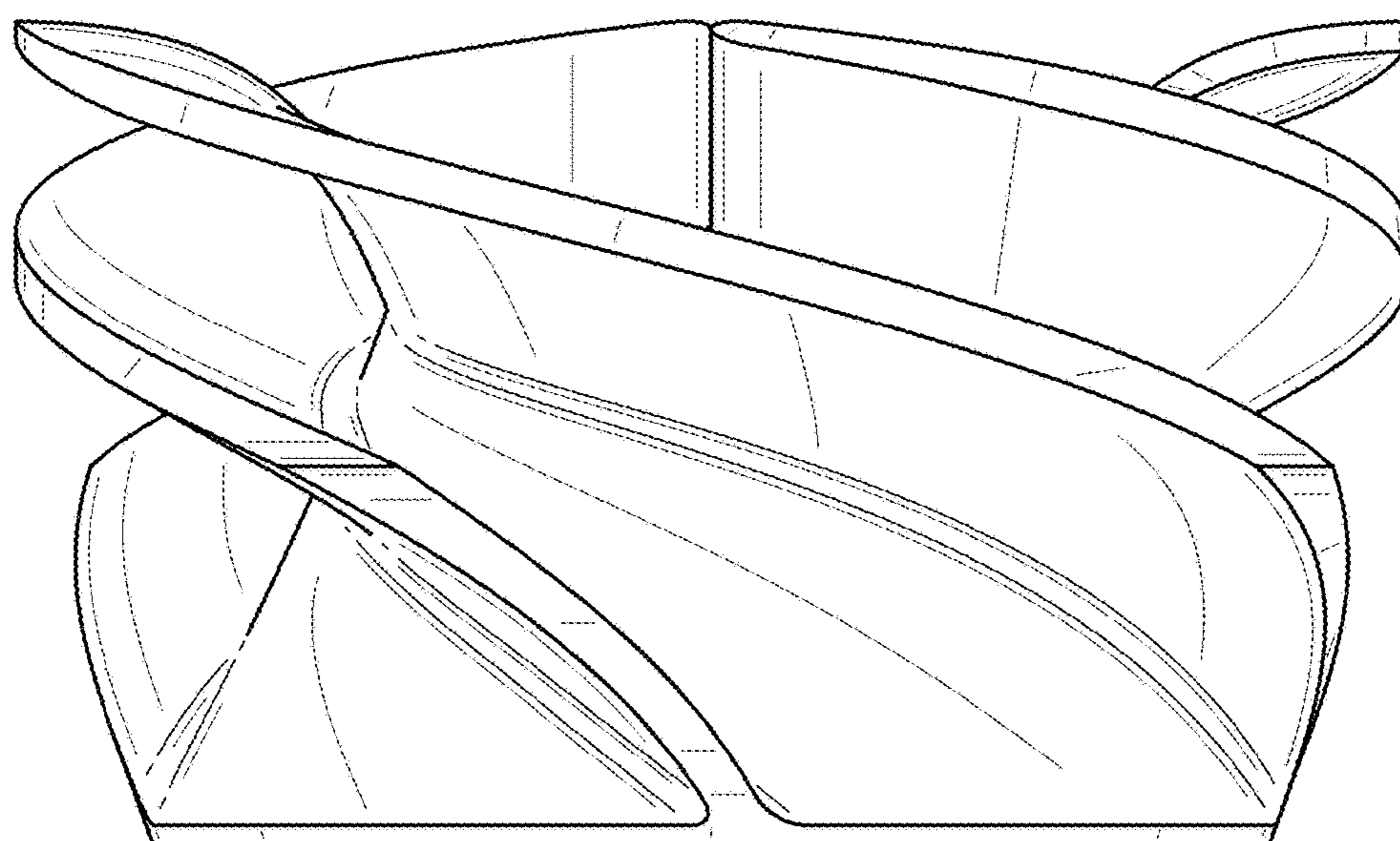


FIG. 6

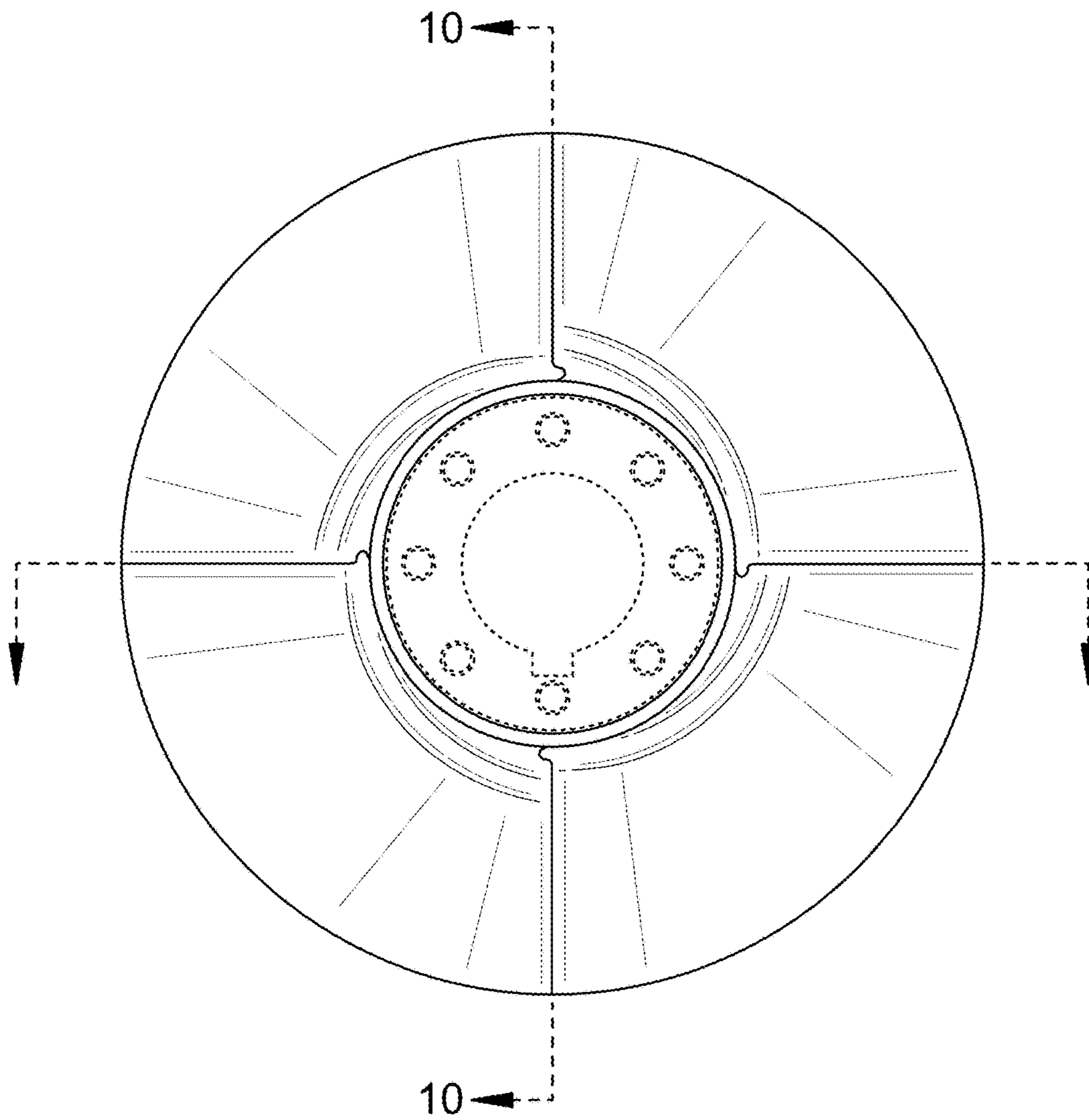


FIG. 7

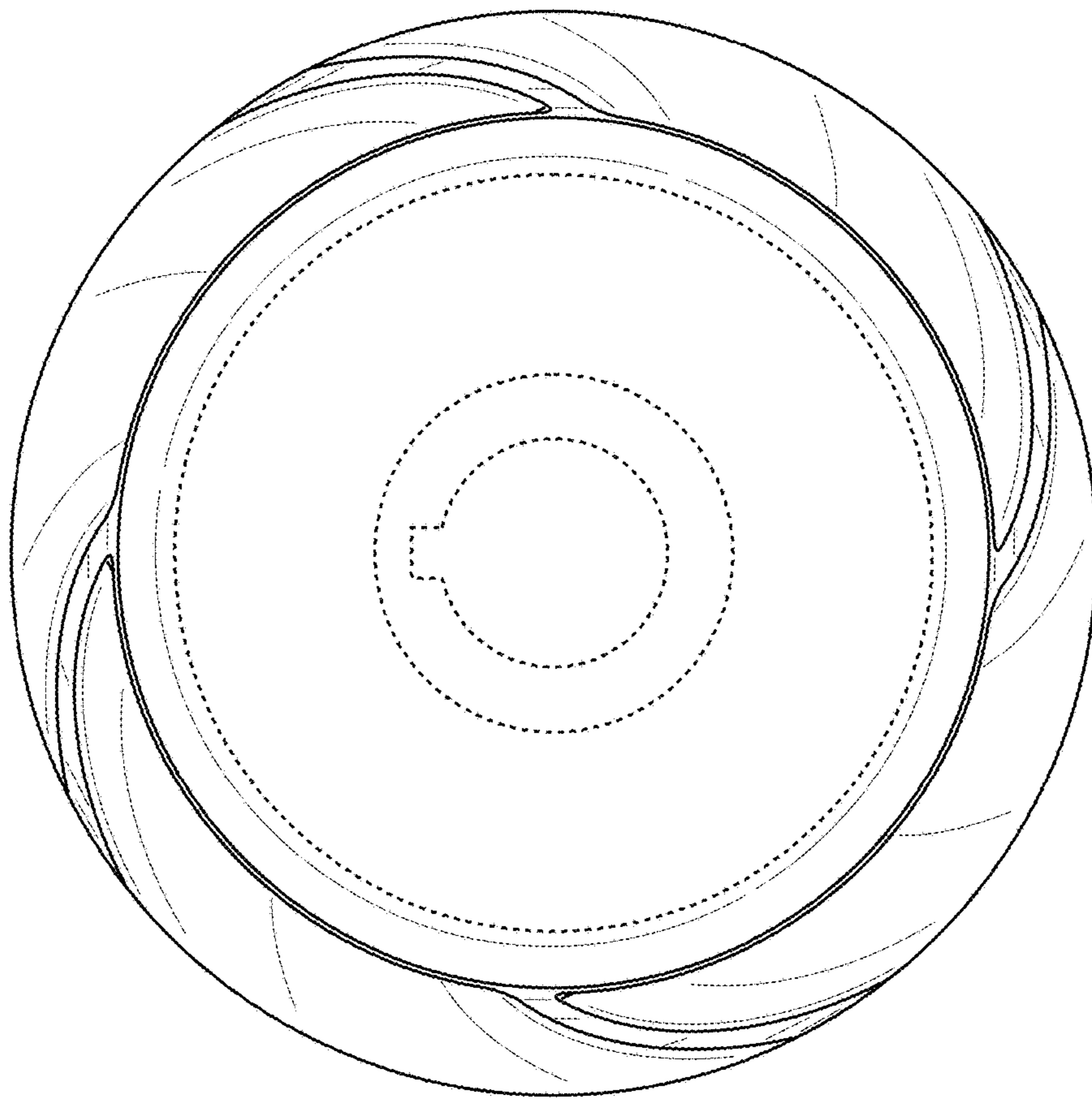


FIG. 8

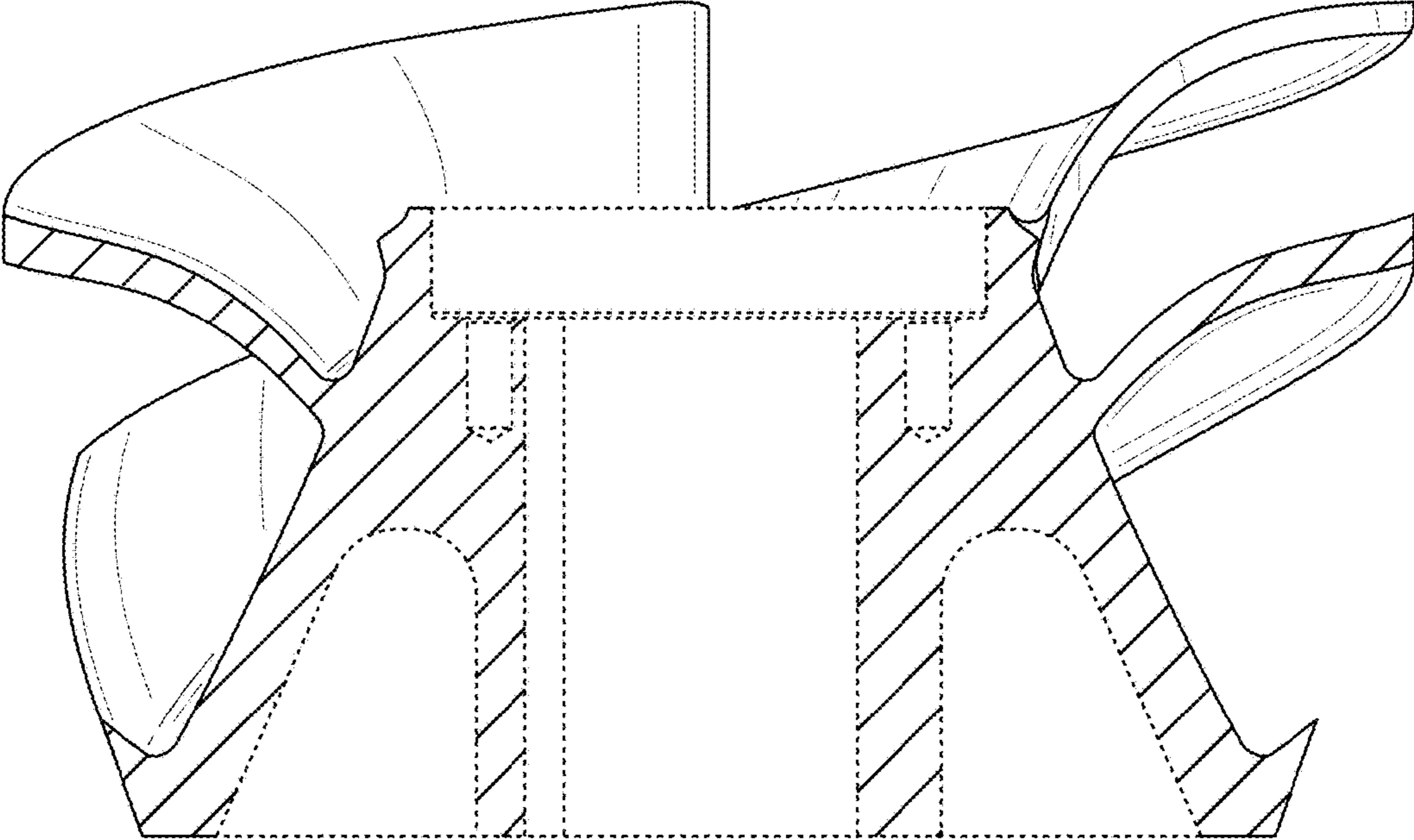


FIG. 9

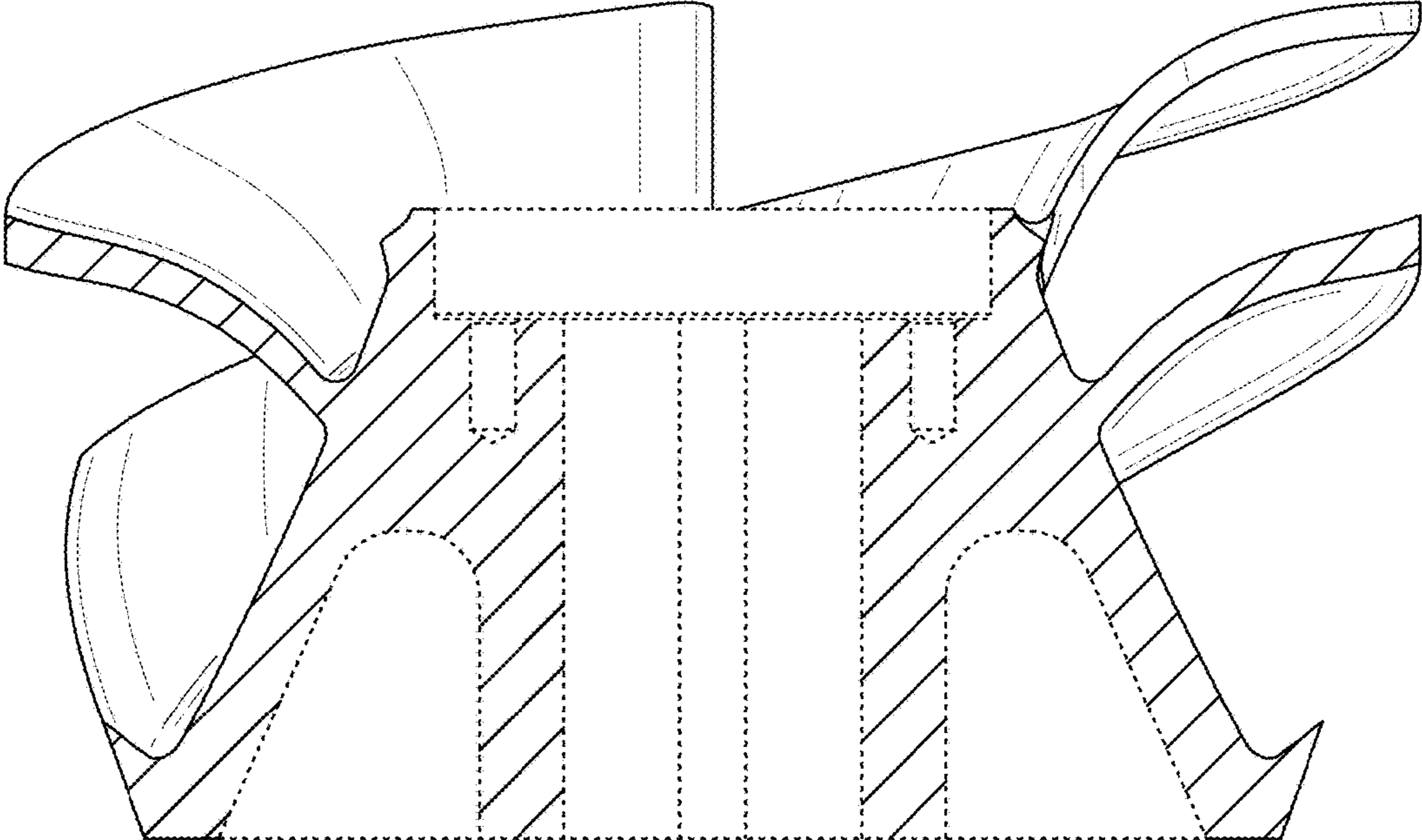


FIG. 10