



US00D847861S

(12) **United States Design Patent** (10) **Patent No.:** **US D847,861 S**
Wilkins (45) **Date of Patent:** **** May 7, 2019**

- (54) **IMPELLER**
- (71) Applicant: **Wilkins IP, LLC**, New Albany, IN (US)
- (72) Inventor: **Stephen P. Wilkins**, Floyds Knobs, IN (US)
- (73) Assignee: **Wilkins IP, LLC**, New Albany, IN (US)
- (**) Term: **15 Years**
- (21) Appl. No.: **29/597,932**
- (22) Filed: **Mar. 21, 2017**
- (51) **LOC (11) Cl.** **15-02**
- (52) **U.S. Cl.**
USPC **D15/7**
- (58) **Field of Classification Search**
USPC D15/5, 7; D23/370, 377, 379, 381, 382, D23/385, 411, 413, 414, 332, 328; D26/59; D13/179
CPC F04D 25/08; F04D 29/388; F04D 29/34; F04D 25/0613; F04D 29/30; F04D 29/386; F04D 29/281; F04D 19/00; F04D 19/022; F04D 19/002; F04D 29/22; F04D 17/08; F04D 29/28; F04D 1/00; H02K 1/187; F21V 33/0096
See application file for complete search history.

- (56) **References Cited**
U.S. PATENT DOCUMENTS
4,520,541 A * 6/1985 Miki B23P 15/006 29/889.23
5,112,195 A * 5/1992 Cox F01D 5/048 416/179
5,730,582 A * 3/1998 Heitmann B63H 11/08 416/185
D554,150 S * 10/2007 Fausett D15/5
D588,158 S * 3/2009 Fausett D15/5

D762,840 S *	8/2016	Wilkins	D15/7
D778,958 S *	2/2017	Naruoka	D15/5
2006/0291996 A1 *	12/2006	Kubota	B22C 9/04 415/71
2009/0160091 A1 *	6/2009	Zhu	B22C 9/06 264/299
2009/0196762 A1 *	8/2009	Koga	B22D 15/005 416/241 R
2009/0252609 A1 *	10/2009	Kubota	B22C 9/22 416/204 A
2012/0121432 A1 *	5/2012	Wakai	F04D 29/284 416/243
2012/0301287 A1 *	11/2012	Swiatek	F04D 29/30 415/204

(Continued)

Primary Examiner — T Chase Nelson
Assistant Examiner — Ania Aman
(74) *Attorney, Agent, or Firm* — Lee & Hayes, P.C.

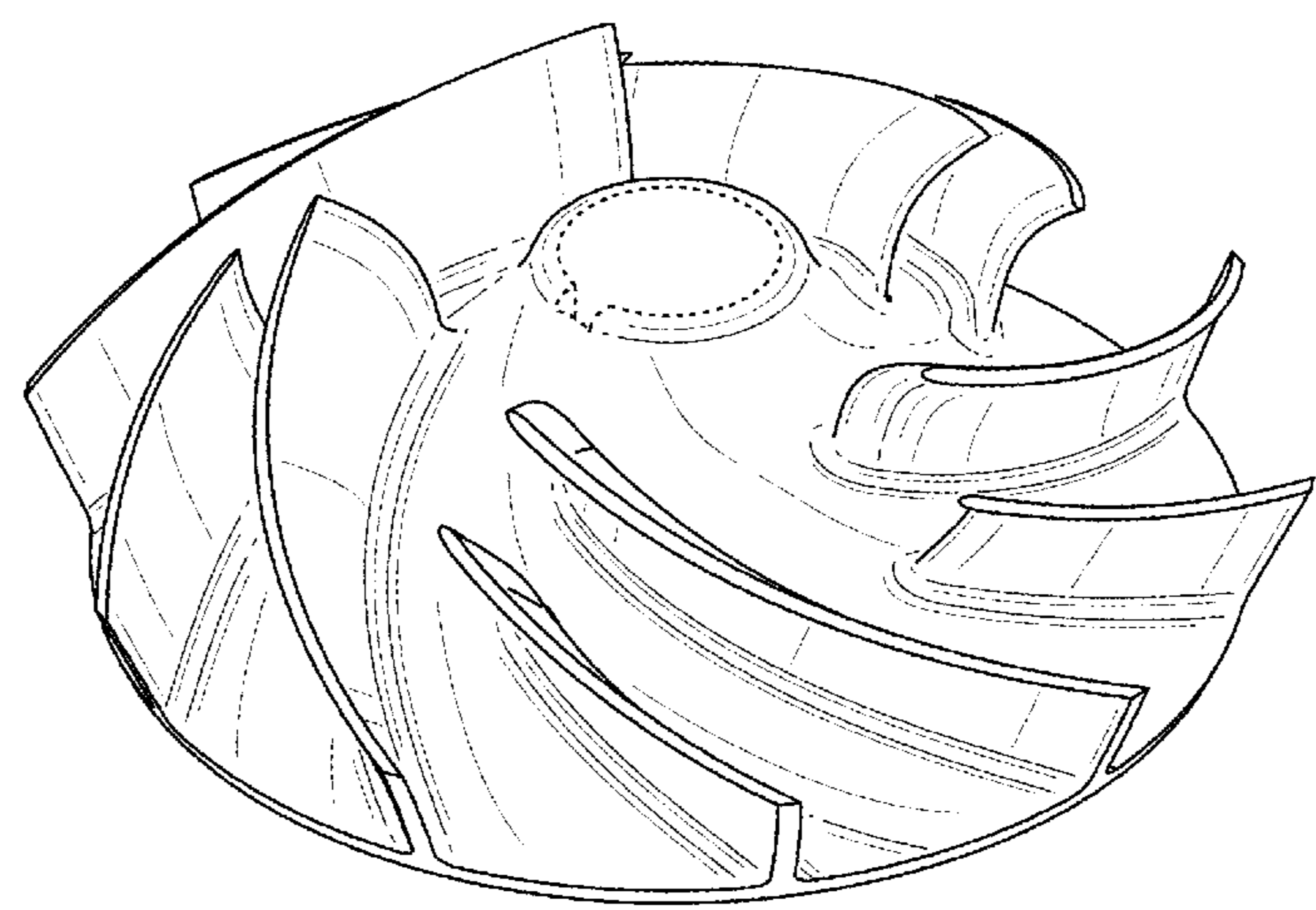
(57) **CLAIM**

The ornamental design for an impeller, as shown and described.

DESCRIPTION

FIG. 1 is a first perspective view of an impeller, taken from above.
FIG. 2 is a second perspective view of the impeller, taken from below.
FIG. 3 is a front view of the impeller of FIG. 1.
FIG. 4 is a back view of the impeller of FIG. 1.
FIG. 5 is a left-side view of the impeller of FIG. 1.
FIG. 6 is a right-side view of the impeller of FIG. 1.
FIG. 7 is a top view of the impeller of FIG. 1.
FIG. 8 is a bottom view of the impeller of FIG. 1.
FIG. 9 is a cross-sectional view of the impeller taken along the line 9-9 shown in FIG. 7; and,
FIG. 10 is a cross-sectional view of the impeller taken along the line 10-10 shown in FIG. 7.
The broken lines represent features of the impeller which form no part of the claimed design.

1 Claim, 10 Drawing Sheets



(56)

References Cited

U.S. PATENT DOCUMENTS

2013/0309065 A1* 11/2013 Johnson F04D 29/665
415/119
2014/0134012 A1* 5/2014 Cho F04D 17/16
417/354
2015/0118080 A1* 4/2015 Dextraze F01D 5/145
417/406
2015/0184672 A1* 7/2015 Nishi B23P 15/006
416/223 R
2015/0267712 A1* 9/2015 Boening F04D 29/403
415/213.1
2015/0354359 A1* 12/2015 Matsuda F02B 39/00
416/204 A
2016/0037984 A1* 2/2016 Park A47L 9/0081
15/326
2016/0076551 A1* 3/2016 Saito F04D 29/284
415/206
2017/0268527 A1* 9/2017 Naruoka F02B 33/40
2017/0298951 A1* 10/2017 Itoh F04D 29/284
2017/0321705 A1* 11/2017 Leal F04D 17/165
2018/0010464 A1* 1/2018 Yokoyama F01D 1/06
2018/0051709 A1* 2/2018 Pulnikov B22F 3/1055
2018/0249873 A1* 9/2018 Yoshida A47L 9/2842

* cited by examiner

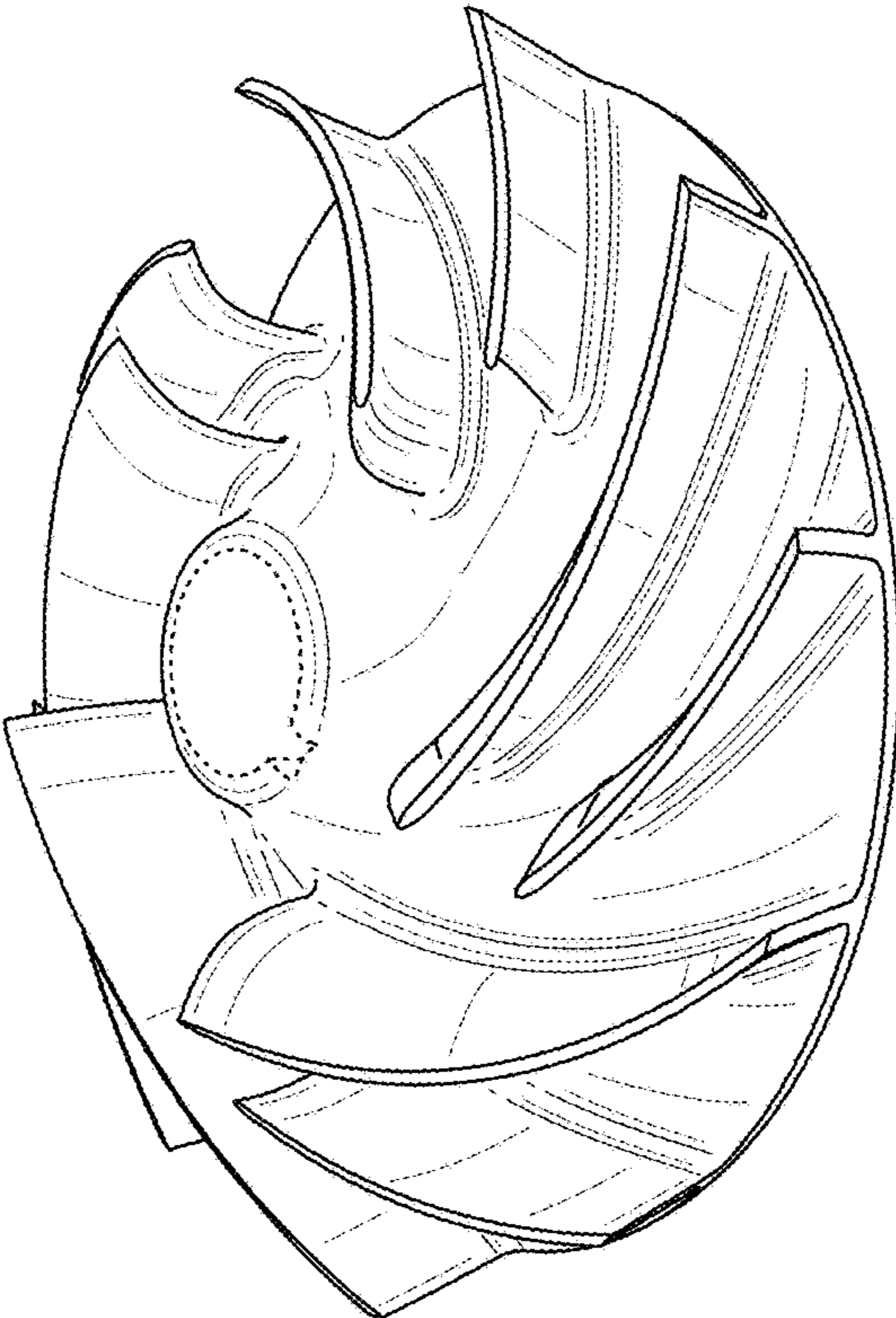


FIG. 1

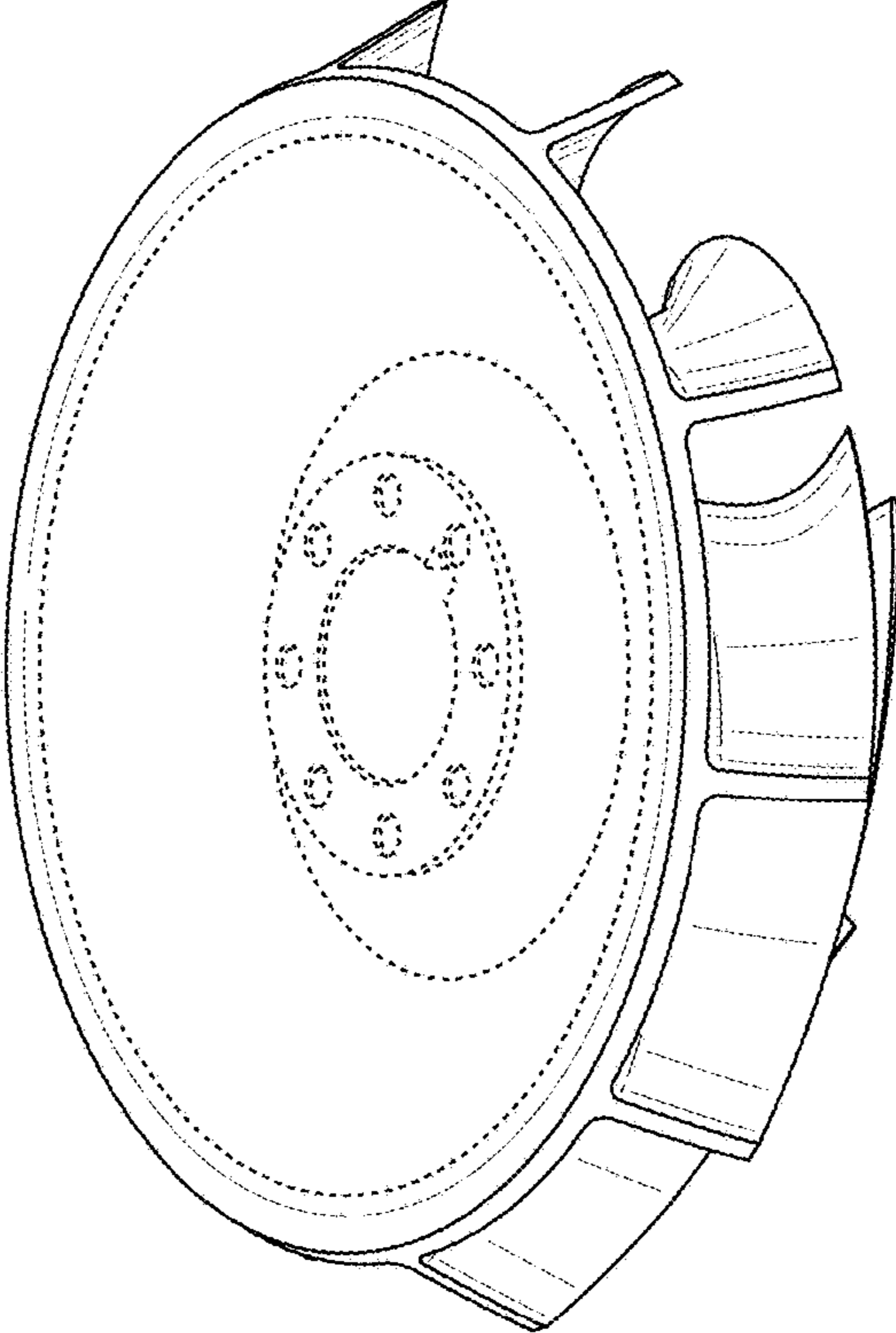


FIG. 2

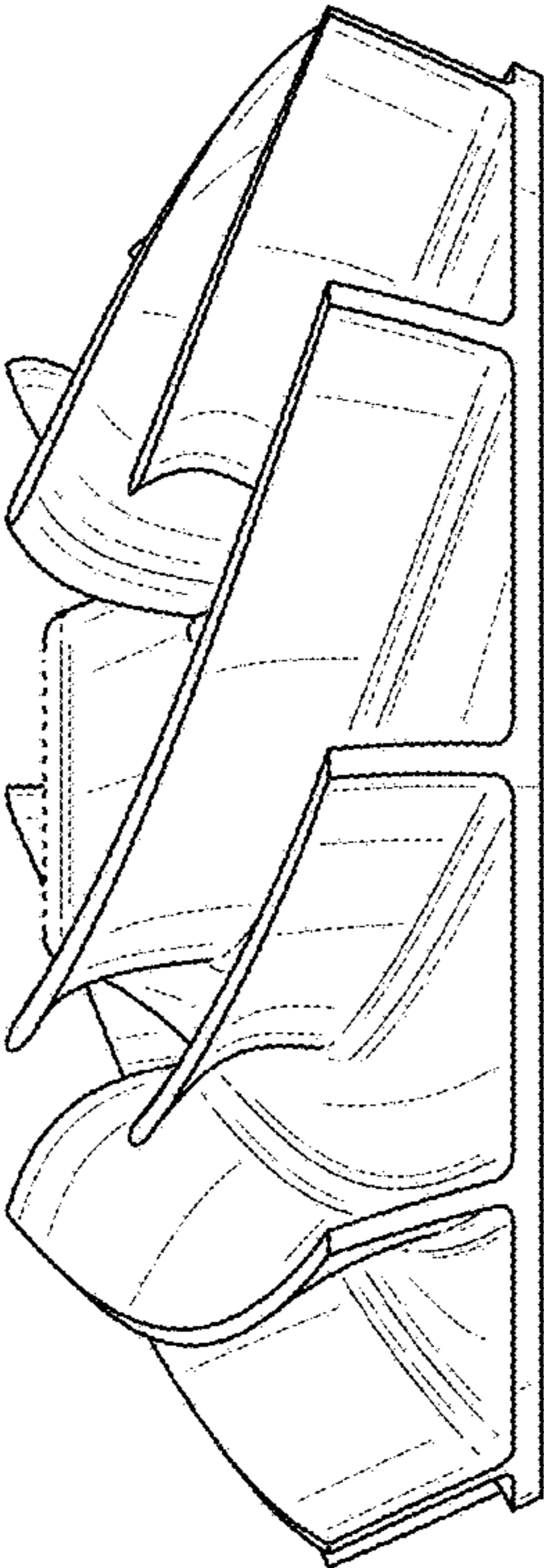


FIG. 3

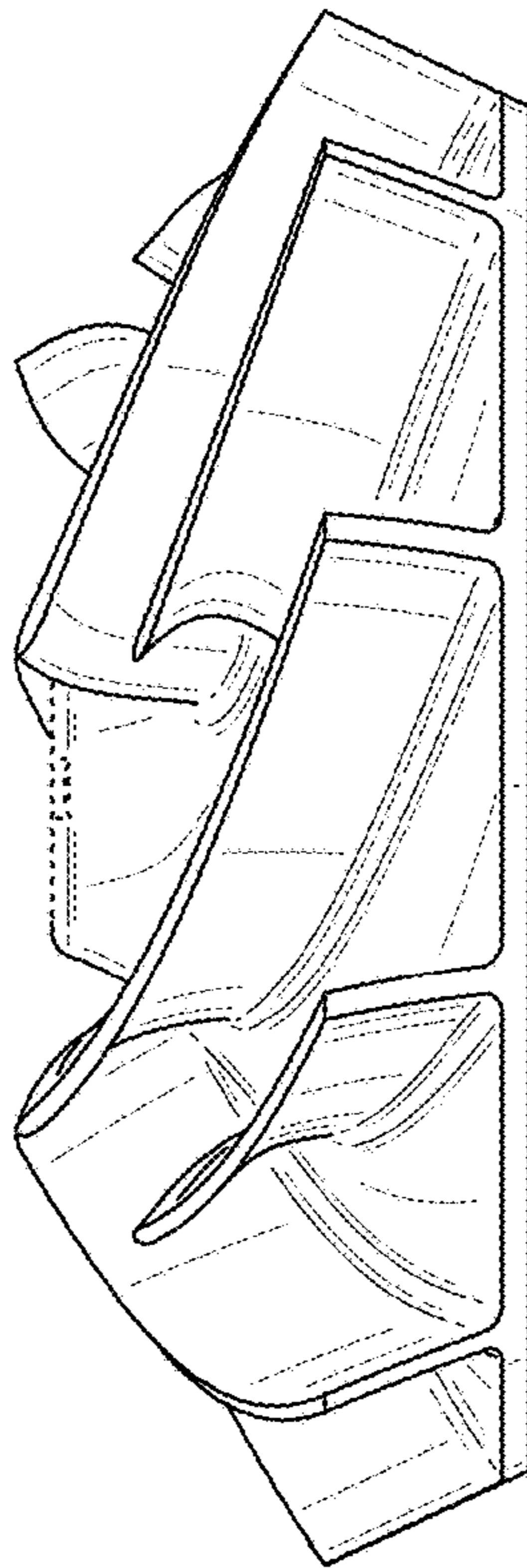


FIG. 4

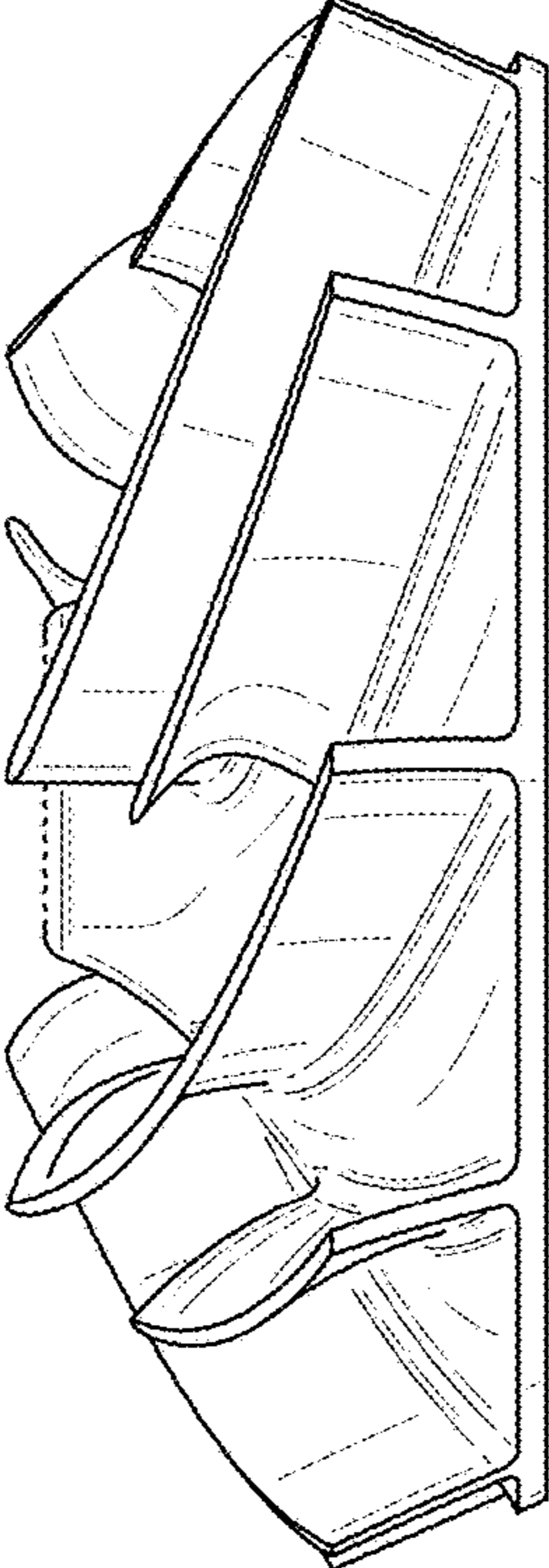


FIG. 5

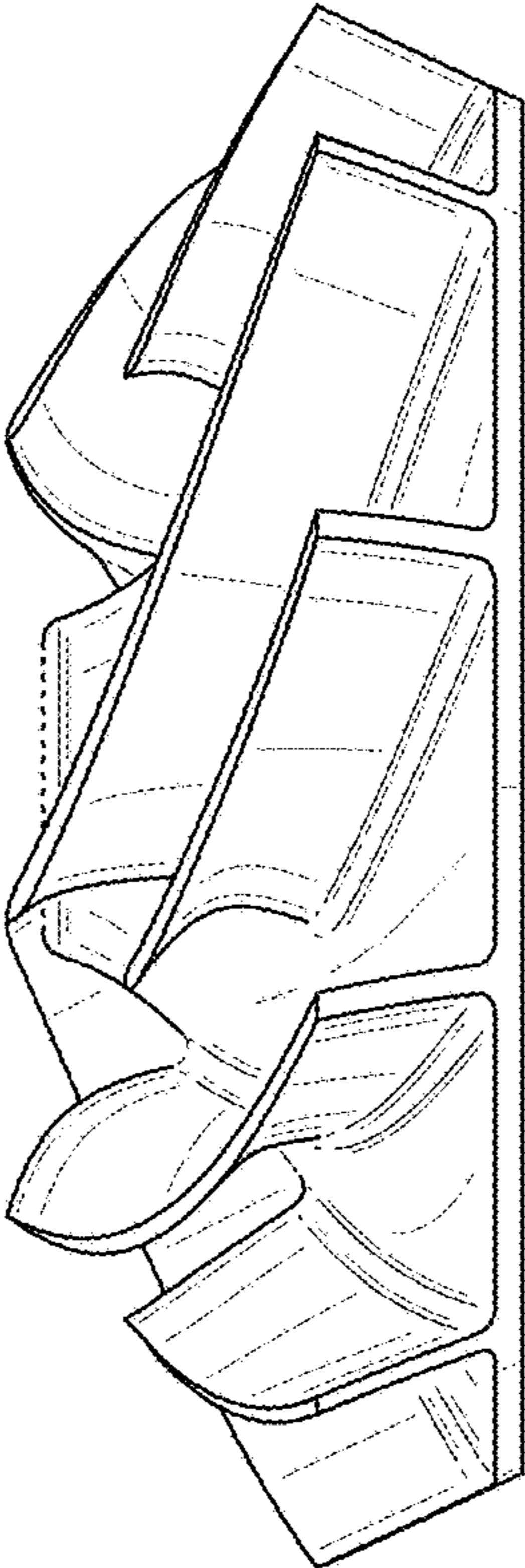
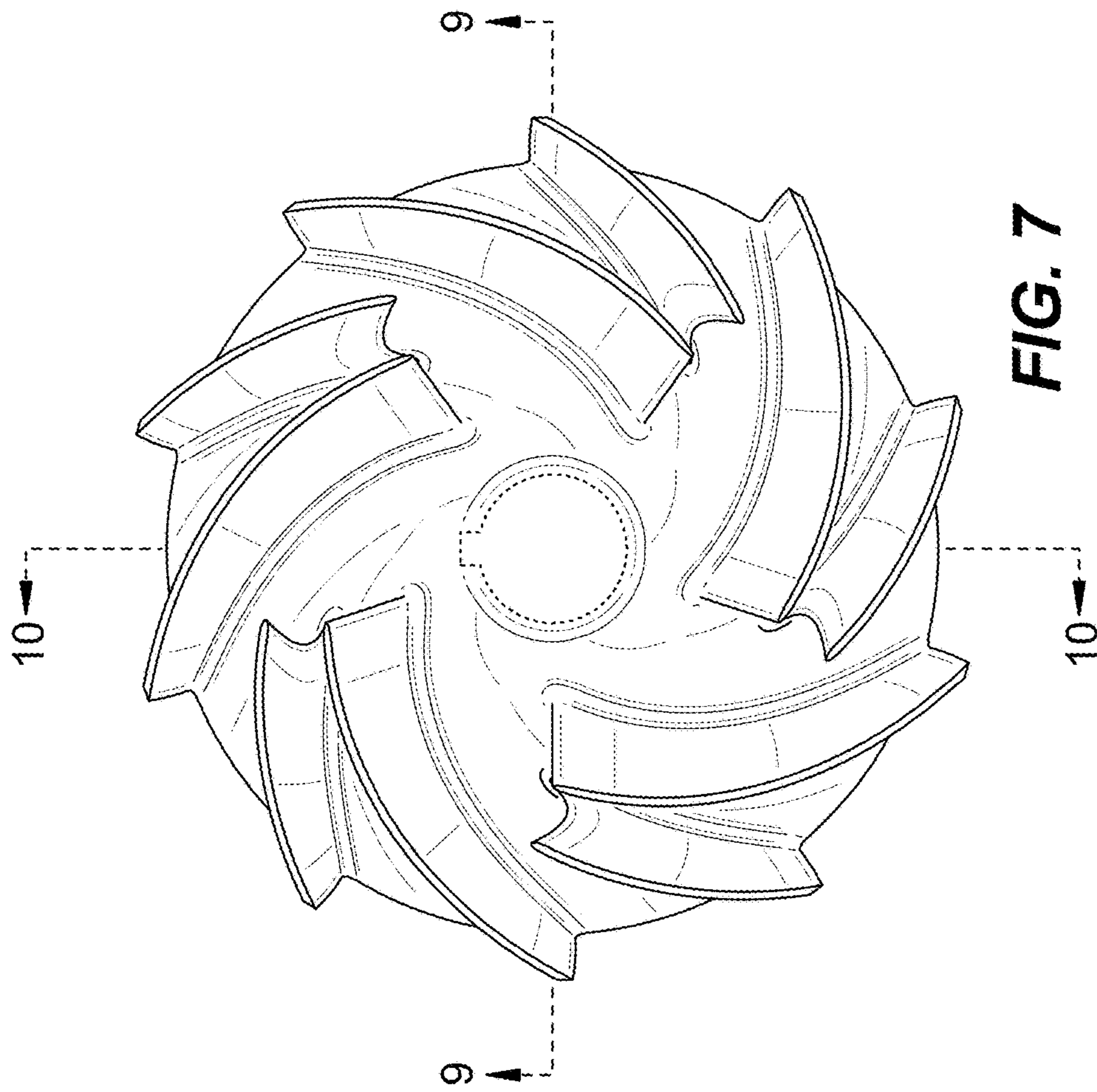


FIG. 6



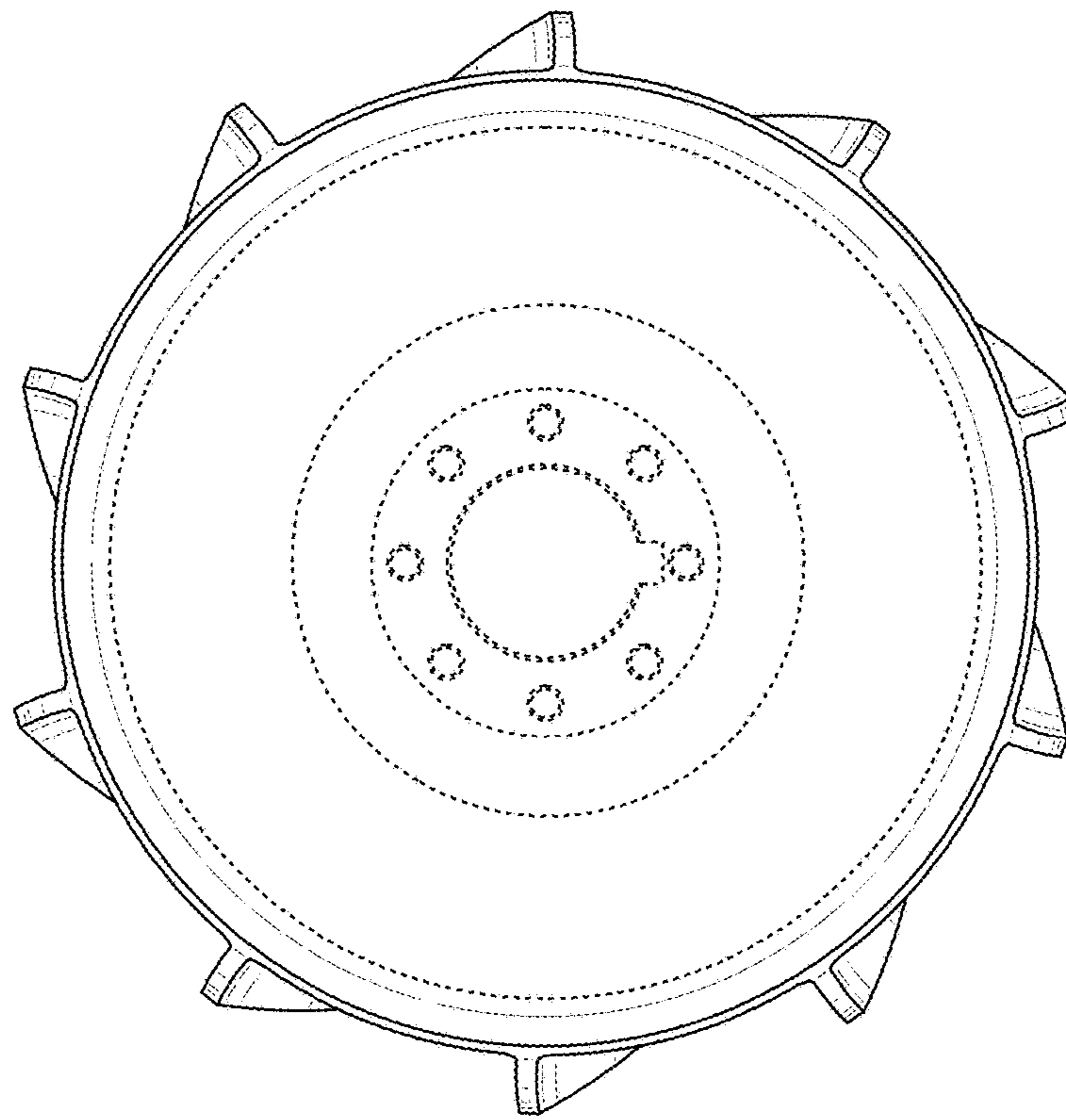


FIG. 8

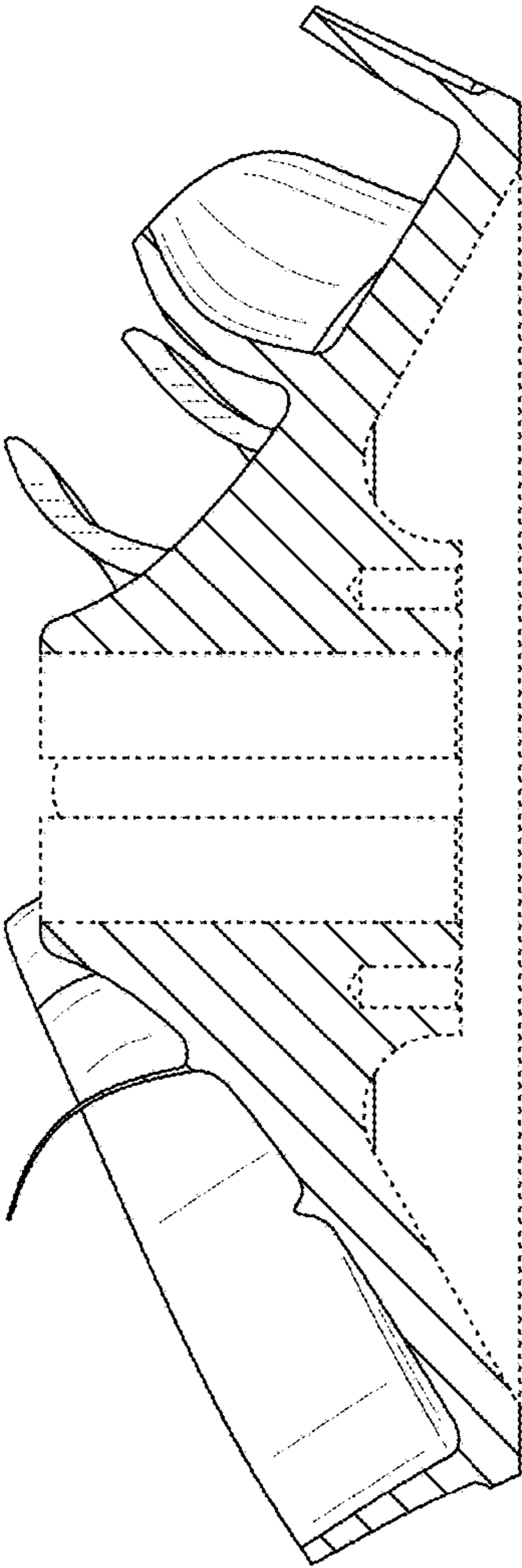


FIG. 9

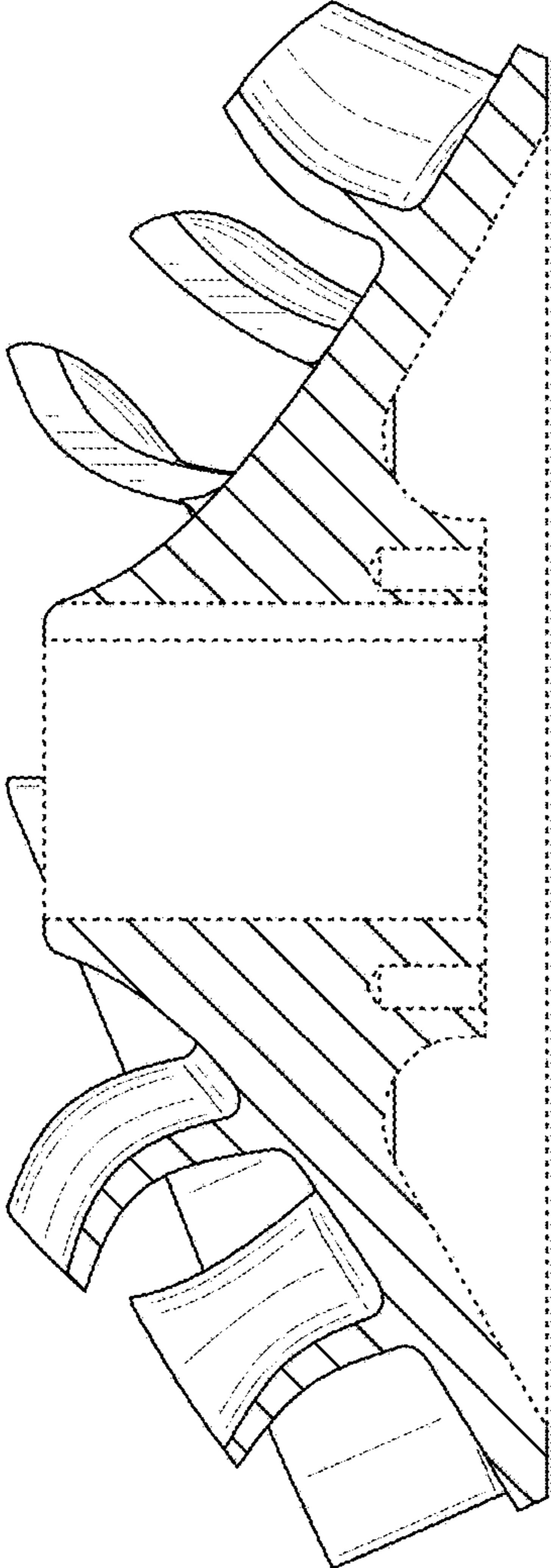


FIG. 10