

US00D847860S

(12) **United States Design Patent** (10) **Patent No.:** **US D847,860 S**
Kawabuchi et al. (45) **Date of Patent:** **** May 7, 2019**

(54) **INTERNAL COMBUSTION ENGINE**

(71) Applicant: **Mitsubishi Heavy Industries Meiki Engines Co., Ltd.**, Nagoya-shi, Aichi (JP)

(72) Inventors: **Tomoya Kawabuchi**, Tokyo (JP); **Hiroki Awata**, Tokyo (JP); **Sadaaki Kumagai**, Tokyo (JP)

(73) Assignee: **Mitsubishi Heavy Industries Meiki Engines Co., Ltd.**, Nagoya-shi, Aichi (JP)

(**) Term: **15 Years**

(21) Appl. No.: **29/573,390**

(22) Filed: **Aug. 4, 2016**

(30) **Foreign Application Priority Data**

Feb. 9, 2016 (JP) 2016-002788

(51) **LOC (11) Cl.** **15-01**

(52) **U.S. Cl.**
USPC **D15/1**

(58) **Field of Classification Search**

USPC D15/1, 2, 3, 4, 5
CPC ... F01P 5/02; F01P 1/02; F02B 75/007; F02B 77/02; F02B 2700/03; F02B 75/16; F02B 63/00; F02B 63/02; F02F 1/34
See application file for complete search history.

(56) **References Cited**

U.S. PATENT DOCUMENTS

D634,333 S * 3/2011 Johnson D15/1
D689,522 S * 9/2013 Johnson D15/1
D695,317 S * 12/2013 Yano D15/1

D709,523 S * 7/2014 Nonaka D15/1
D751,118 S * 3/2016 Suzuki D15/1
2006/0266338 A1* 11/2006 Kashima B60K 15/03504
123/519
2009/0199793 A1* 8/2009 Sato F01P 1/02
123/41.62
2009/0230695 A1* 9/2009 Yoshida F02B 63/04
290/1 A
2009/0302610 A1* 12/2009 Kanai F02B 63/04
290/47
2012/0160194 A1* 6/2012 Yano F02F 1/34
123/41.65
2012/0210704 A1* 8/2012 Kawase F01N 1/089
60/320
2014/0338634 A1* 11/2014 Mitchell F02D 17/04
123/332

* cited by examiner

Primary Examiner — T Chase Nelson

Assistant Examiner — Ania Aman

(74) *Attorney, Agent, or Firm* — Berkeley Law & Technology Group, LLP

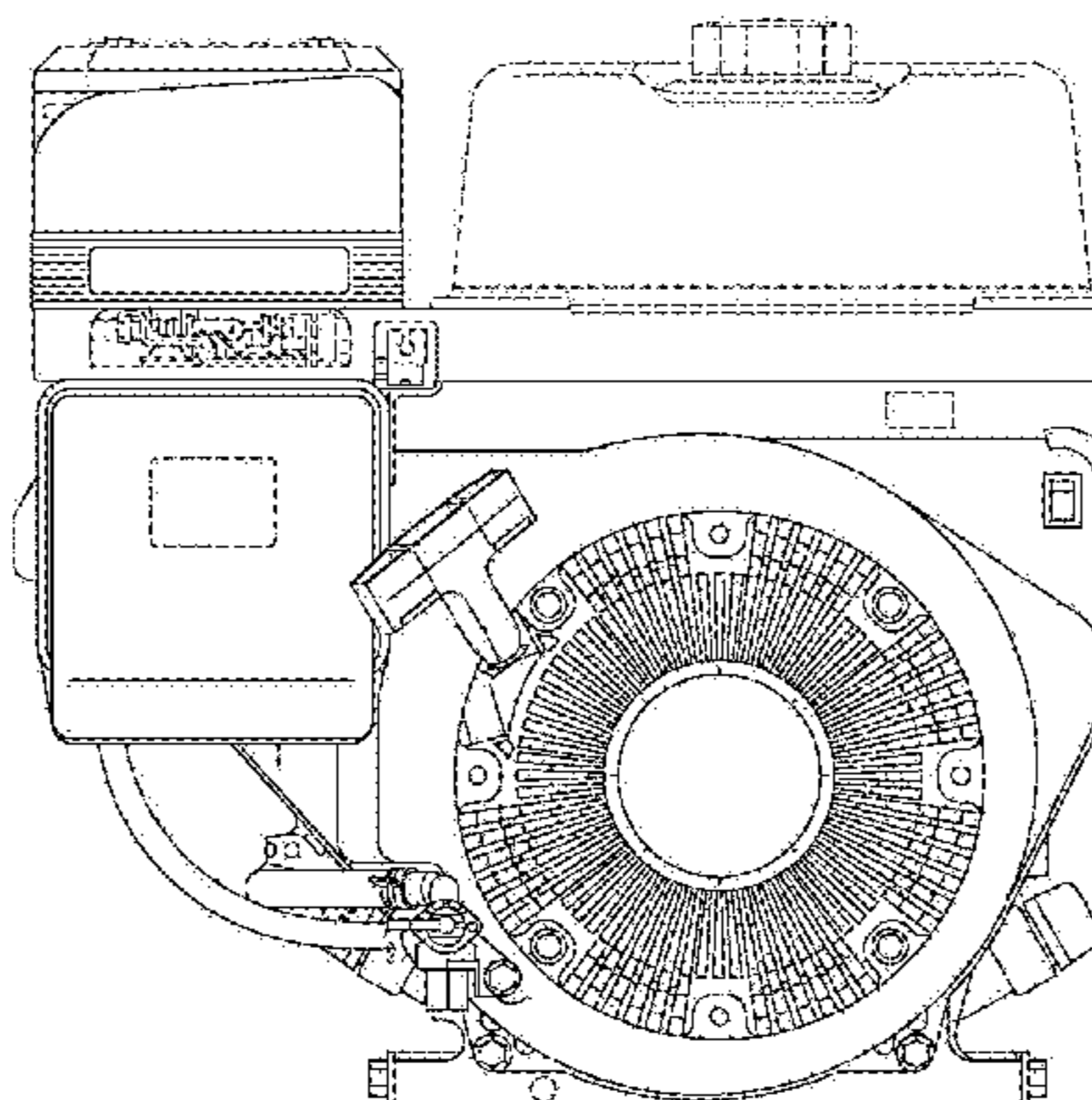
(57) **CLAIM**

The ornamental design for an internal combustion engine, as shown and described.

DESCRIPTION

FIG. 1 is a front view of an internal combustion engine showing our new design;
FIG. 2 is a rear view of FIG. 1;
FIG. 3 is a left side view of FIG. 1;
FIG. 4 is a right side view of FIG. 1;
FIG. 5 is a top plan view of FIG. 1; and,
FIG. 6 is a bottom plan view of FIG. 1.
The broken lines shown in the drawings are for the purpose of illustrating portions of the article and form no part of the claimed design.

1 Claim, 6 Drawing Sheets



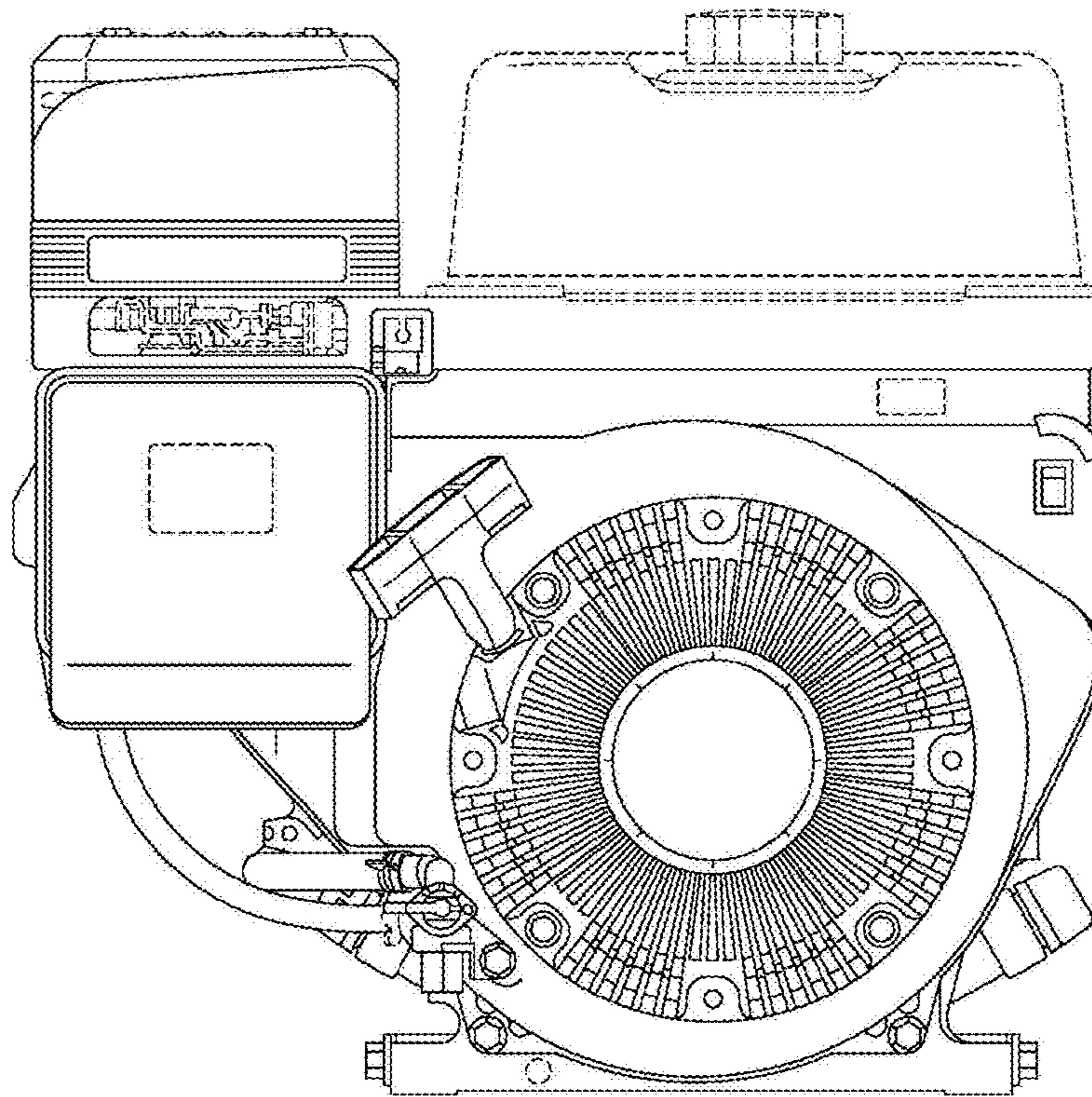


FIG. 1

A-1

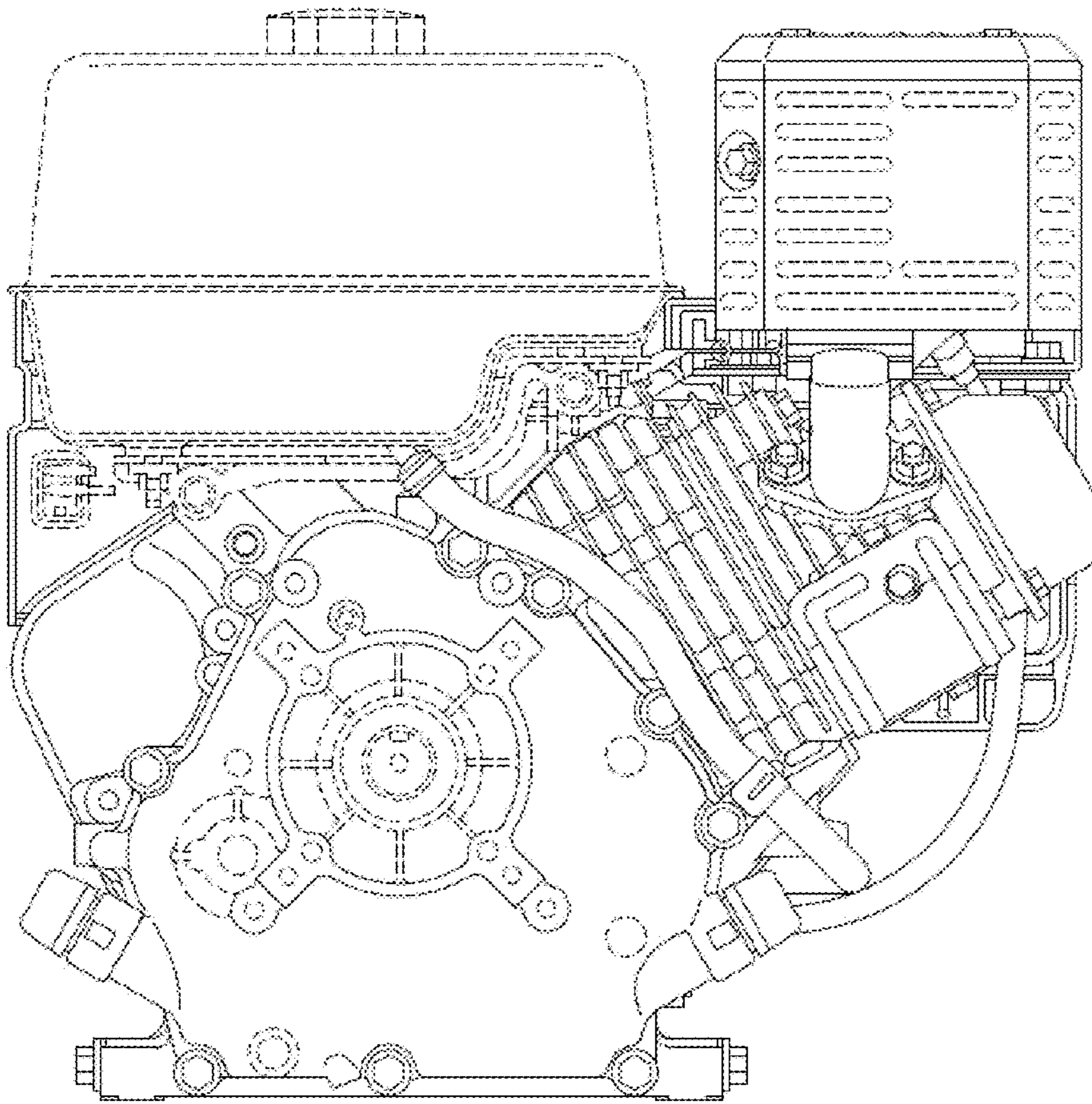


FIG. 2

A-1

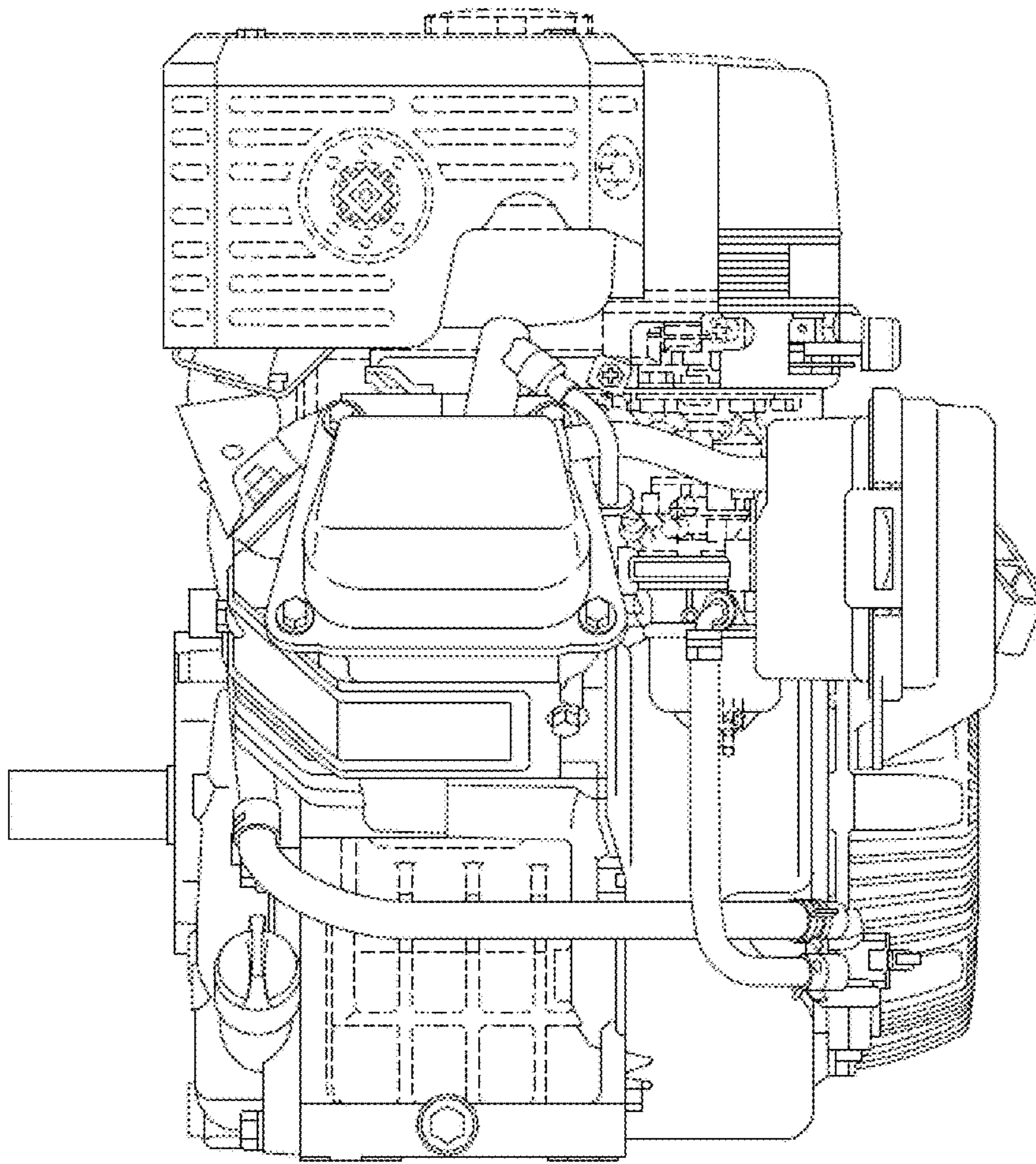


FIG. 3

A-2

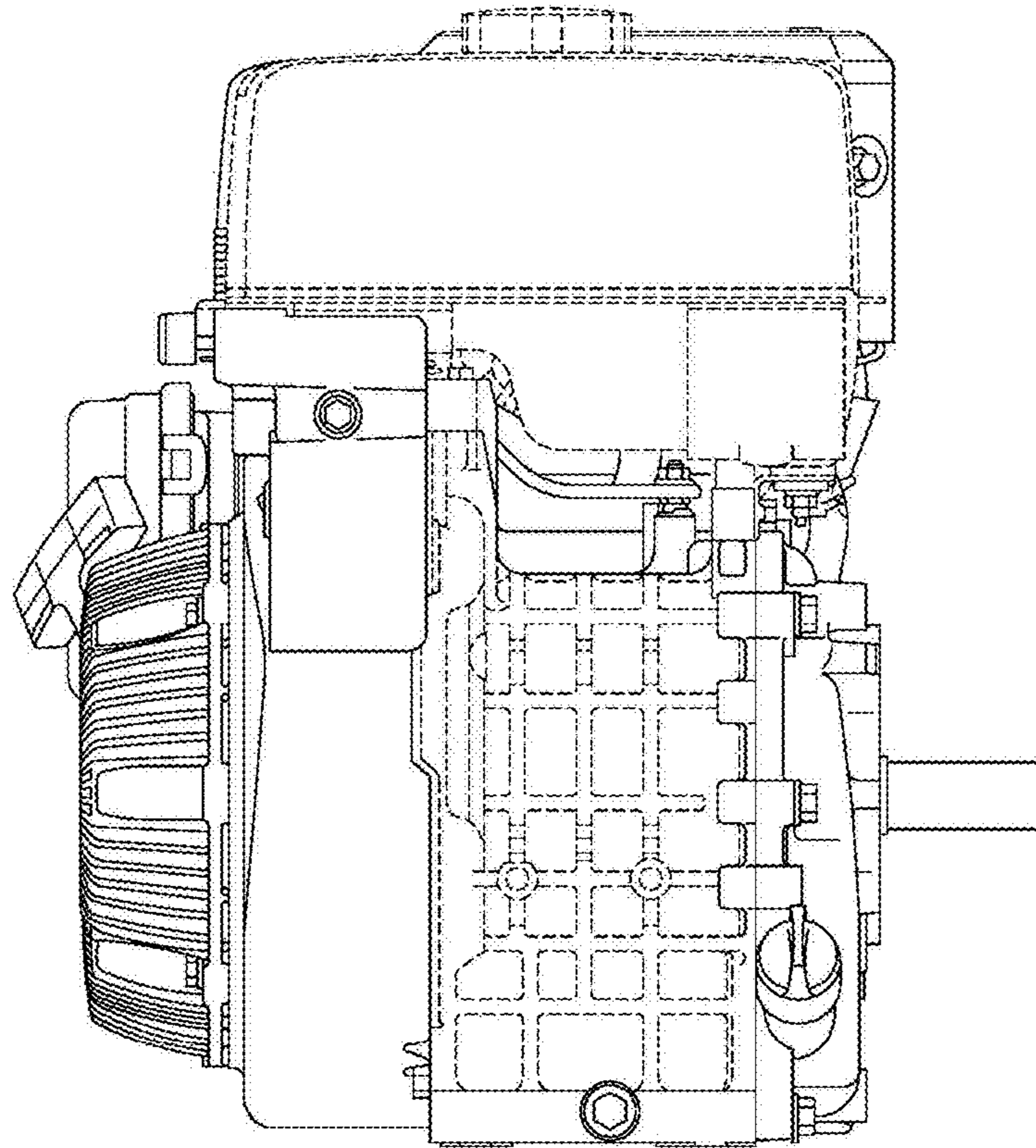


FIG. 4

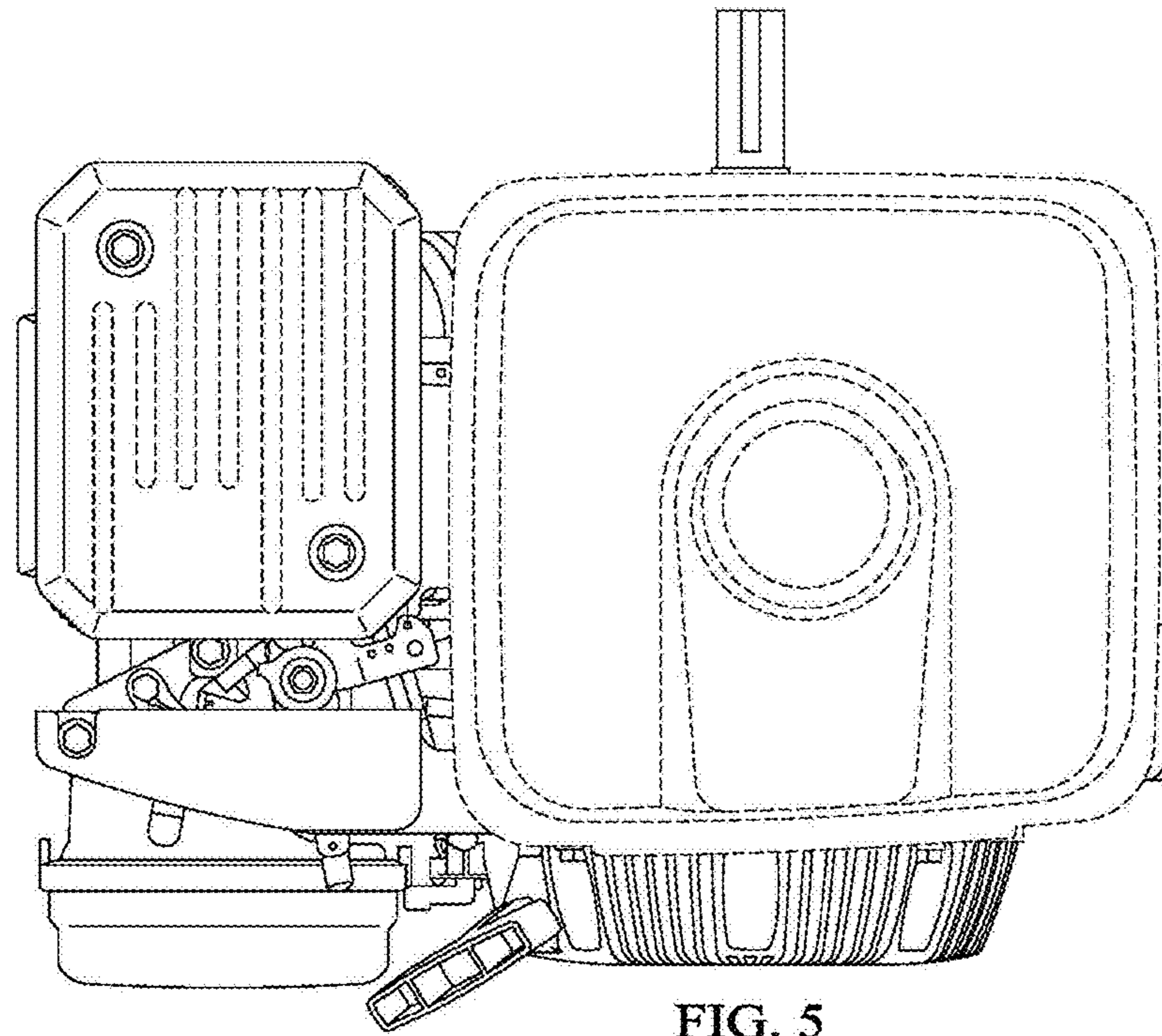


FIG. 5

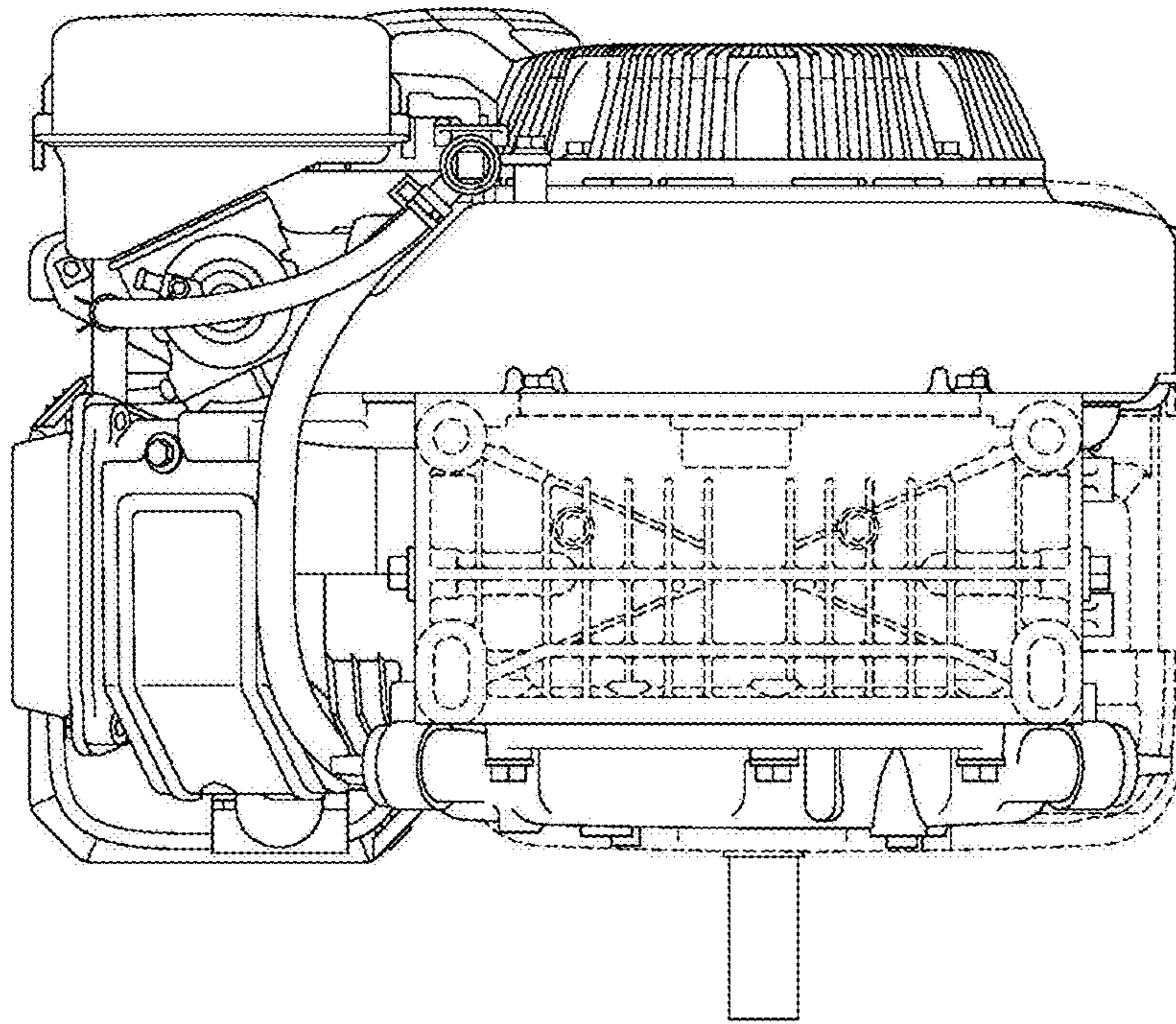


FIG. 6