



US00D847854S

(12) **United States Design Patent**
Christian et al.

(10) **Patent No.:** **US D847,854 S**

(45) **Date of Patent:** **** May 7, 2019**

(54) **DISPLAY SCREEN OR PORTION THEREOF WITH ANIMATED GRAPHICAL USER INTERFACE**

(71) Applicant: **salesforce.com, inc.**, San Francisco, CA (US)

(72) Inventors: **Sheila Christian**, Millbrae, CA (US);
Stephen Coyner, San Francisco, CA (US); **Adrian Dieter Rapp**, Sausalito, CA (US)

(73) Assignee: **salesforce.com, inc.**, San Francisco, CA (US)

(**) Term: **15 Years**

(21) Appl. No.: **29/624,825**

(22) Filed: **Nov. 3, 2017**

(51) **LOC (11) Cl.** **14-04**

(52) **U.S. Cl.**
USPC **D14/488**

(58) **Field of Classification Search**
USPC D14/485, 486, 487, 488
CPC G06F 3/048; G06F 3/0481; G06F 3/04812; G06F 3/04817; G06F 3/0482; G06F 3/0484; G06F 3/0485; G06F 3/0487; G06F 3/0488; G06F 3/04883; G06F 3/04886; G06F 3/0489

See application file for complete search history.

(56) **References Cited**

U.S. PATENT DOCUMENTS

D627,360 S *	11/2010	Aarseth	D14/485
D740,301 S *	10/2015	Soegiono	G06F 3/04817
				D14/485
D759,077 S *	6/2016	Bergmann	D14/486
D759,079 S *	6/2016	Carlton	D14/486
D759,080 S *	6/2016	Luo	D14/486
D763,877 S *	8/2016	Yu	G06F 3/04817
				D14/485

D764,493 S *	8/2016	Sanderson	D14/485
D765,091 S *	8/2016	Del Lima	D14/485
D765,674 S *	9/2016	Kim	D14/485
D766,917 S *	9/2016	Kwon	D14/485
D766,945 S *	9/2016	Um	D14/486
D771,064 S *	11/2016	Nuovo	D14/485
D771,076 S *	11/2016	Butcher	D14/485
D772,243 S *	11/2016	Everette	D14/485
D776,680 S *	1/2017	Bae	D14/485
D777,735 S *	1/2017	Kim	D14/485
D781,299 S *	3/2017	Yun	D14/485
D781,878 S *	3/2017	Butcher	D14/485

(Continued)

Primary Examiner — Melanie H Tung

(74) *Attorney, Agent, or Firm* — Sterne, Kessler, Goldstein & Fox P.L.L.C.

(57) **CLAIM**

The ornamental design for a display screen or portion thereof with animated graphical user interface, as shown and described.

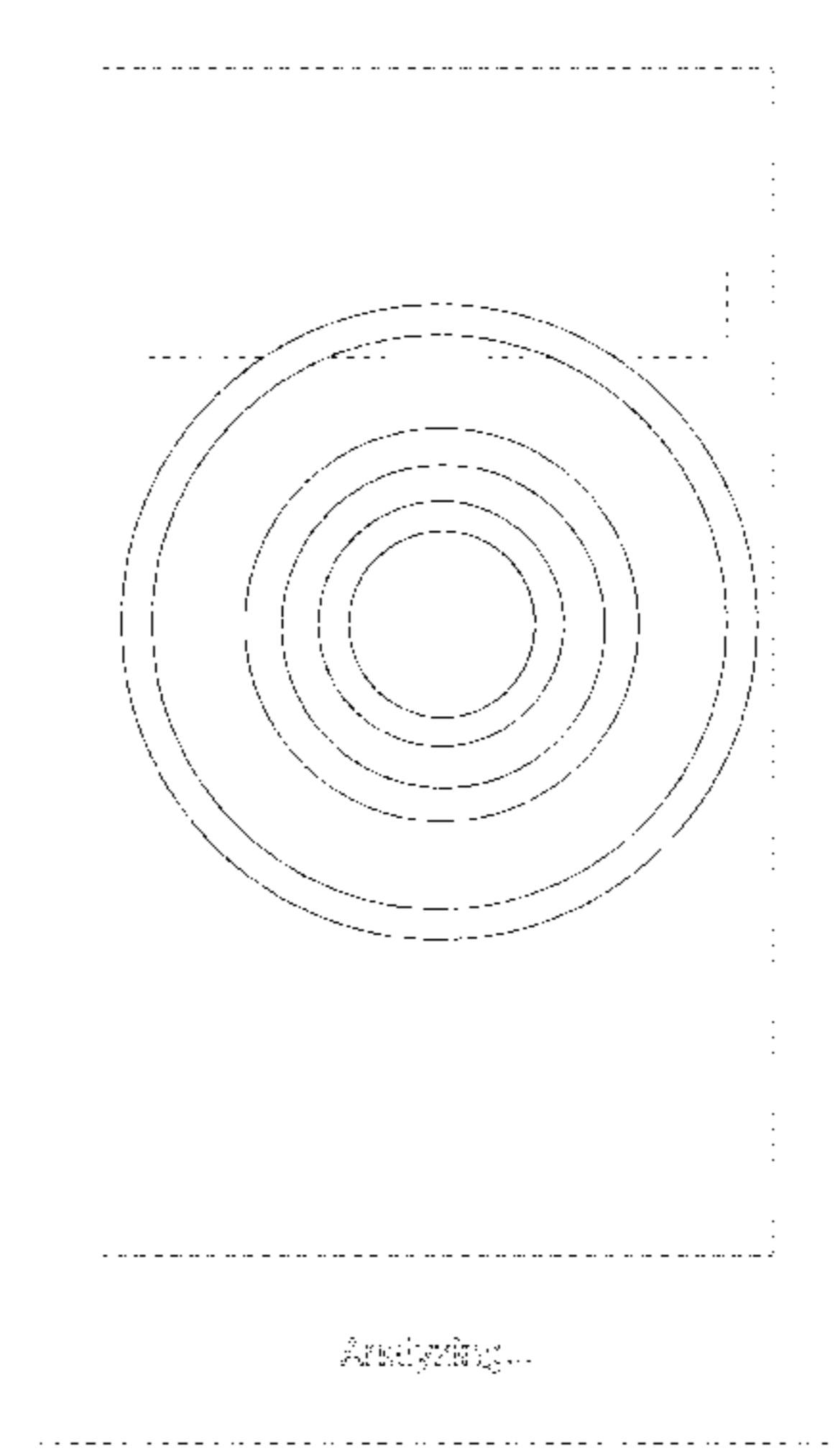
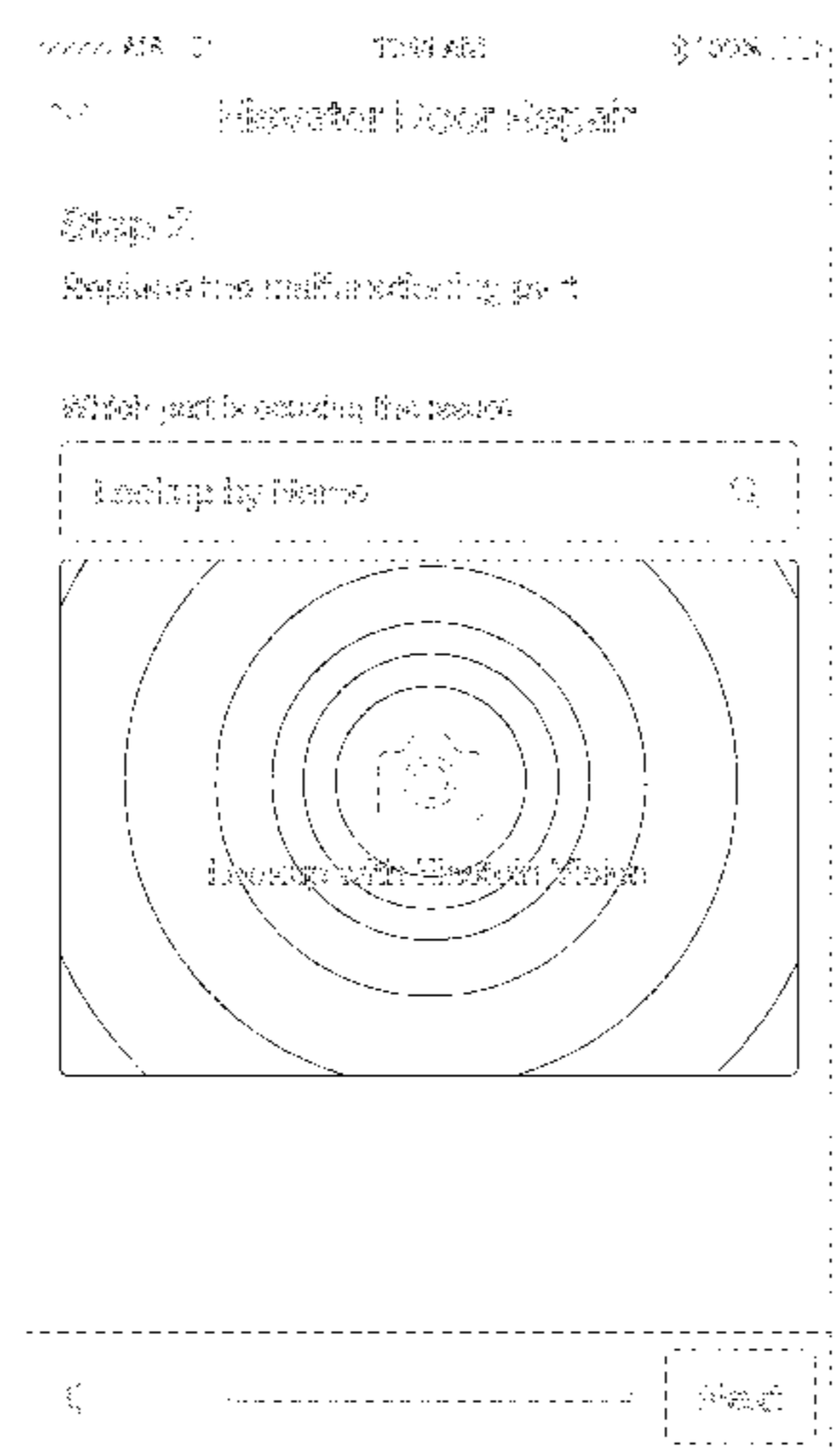
DESCRIPTION

FIG. 1 is a front view of a display screen or portion thereof with animated graphical user interface showing a first image of the claimed design;
FIG. 2 is a second image thereof;
FIG. 3 is a third image thereof;
FIG. 4 is a fourth image thereof; and,
FIG. 5 is a fifth image thereof.

The outermost broken lines in the figures show a display screen or portion thereof, and form no part of the claimed design. The other broken lines in the figures show portions of the animated graphical user interface that form no part of the claimed design.

The appearance of the animated image sequentially transitions between the images shown in FIGS. 1-5. The process or period in which one image transitions to another forms no part of the claimed design.

1 Claim, 5 Drawing Sheets



(56)

References Cited

U.S. PATENT DOCUMENTS

D781,879	S *	3/2017	Butcher	D14/485
D784,363	S *	4/2017	Fleming	D14/485
D785,658	S *	5/2017	Moroney	D14/486
D786,278	S *	5/2017	Motamedi	D14/485
D794,048	S *	8/2017	Lee	D14/485
D801,350	S *	10/2017	Rejkowski	D14/485
D803,250	S *	11/2017	Lee	D14/486
D804,494	S *	12/2017	Bombolowsky	D14/485
D809,522	S *	2/2018	Mizono	D14/485
D817,341	S *	5/2018	Jeon	D14/485
D821,407	S *	6/2018	Wilberding	D14/485
D821,410	S *	6/2018	Vinna	D14/485
D835,665	S *	12/2018	Kimura	D14/488
2006/0010402	A1 *	1/2006	Undasan	G06F 3/0481
				715/861
2014/0232649	A1 *	8/2014	Youssef	G06F 3/0346
				345/157
2017/0228033	A1 *	8/2017	Takimoto	G06F 3/04812

* cited by examiner

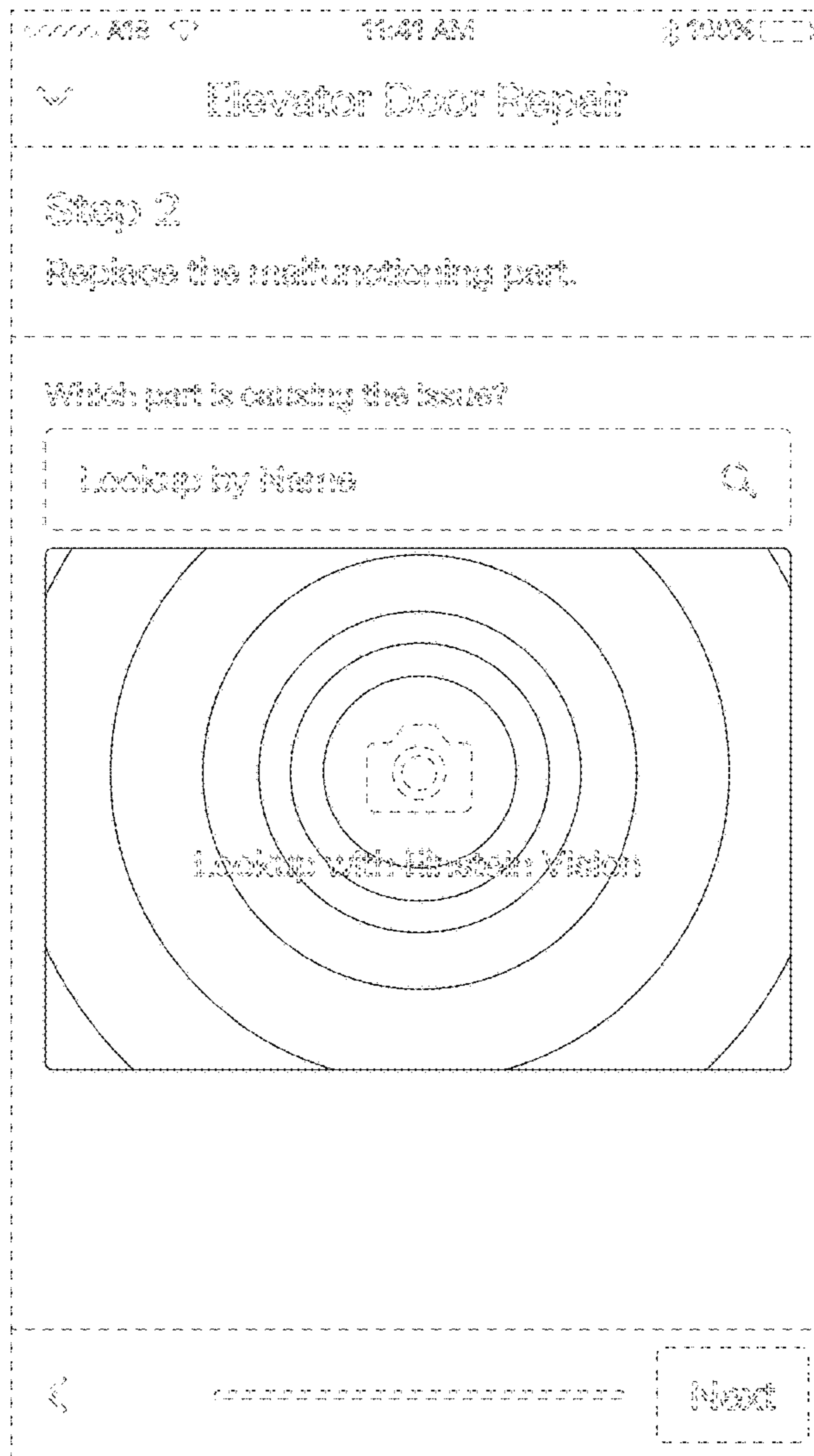


FIG. 1

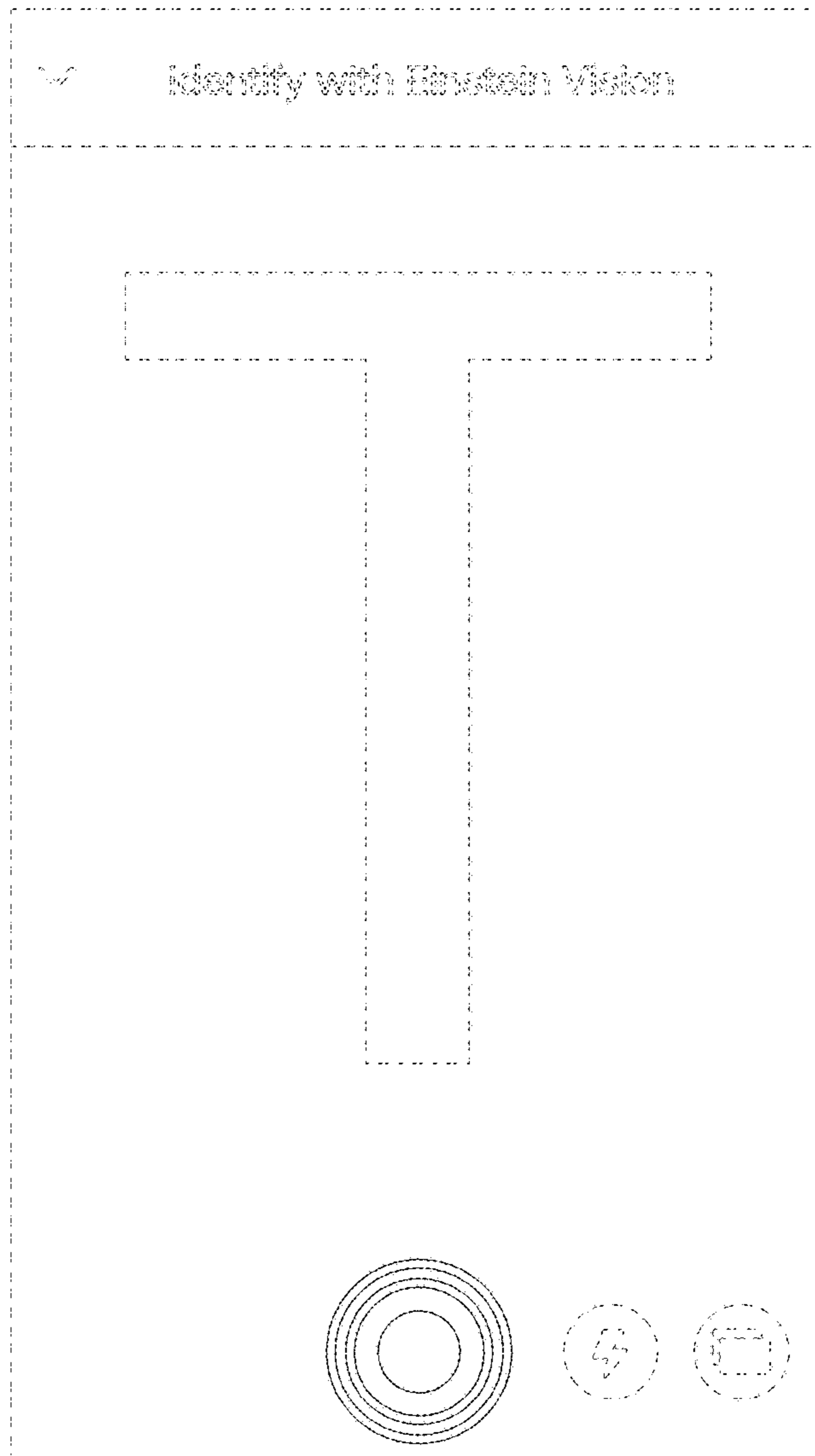


FIG. 2

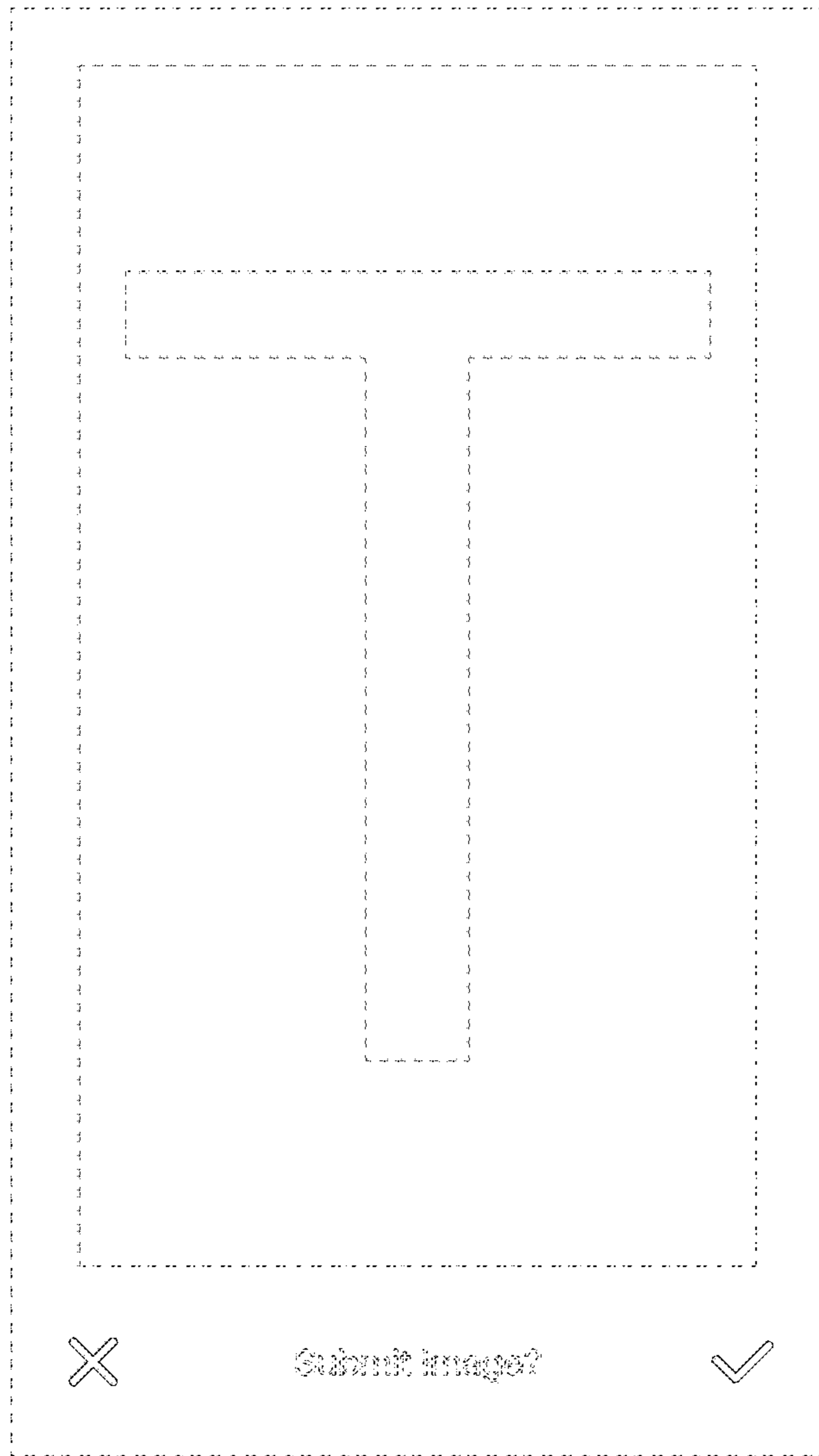


FIG. 3

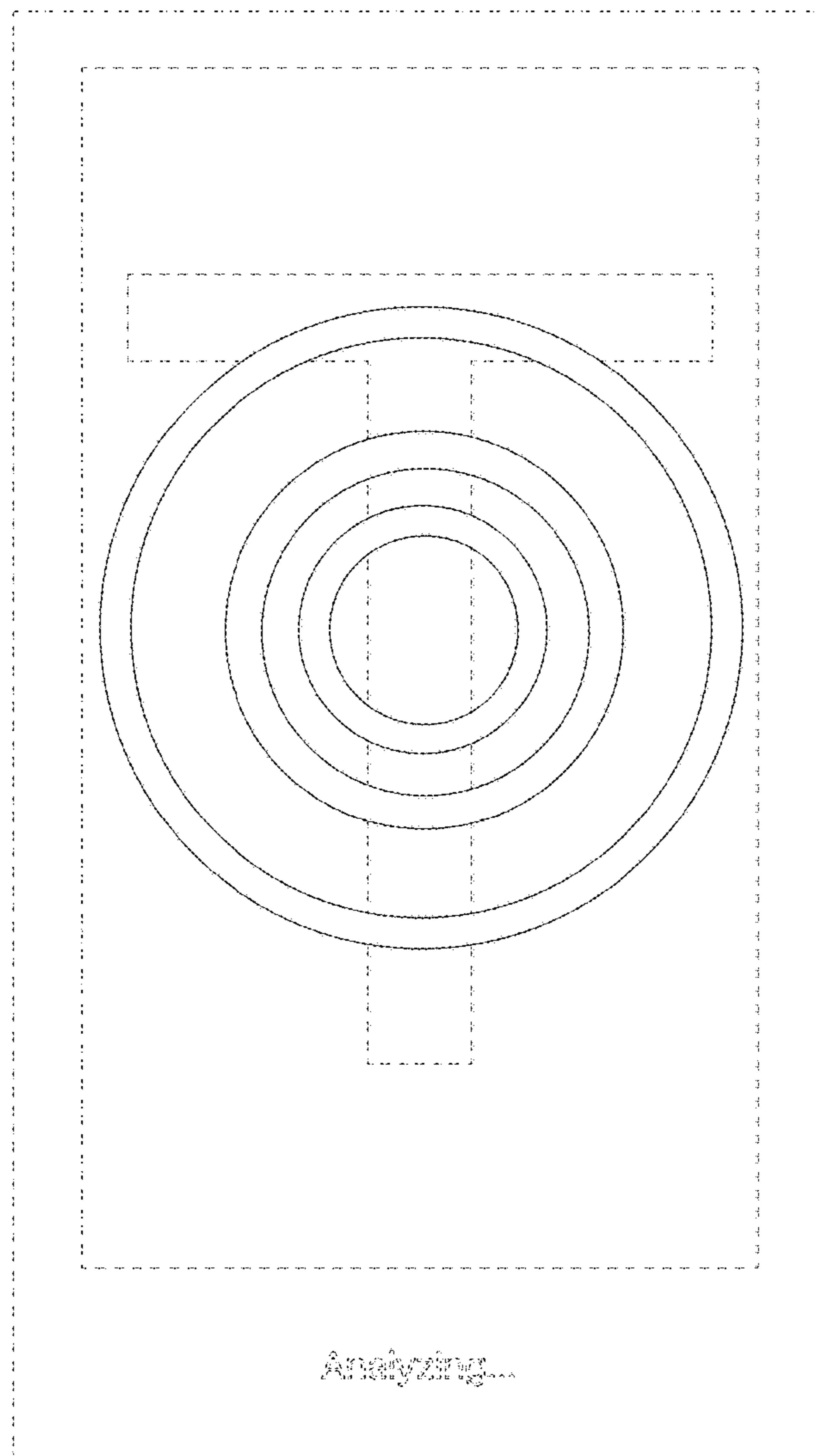


FIG. 4

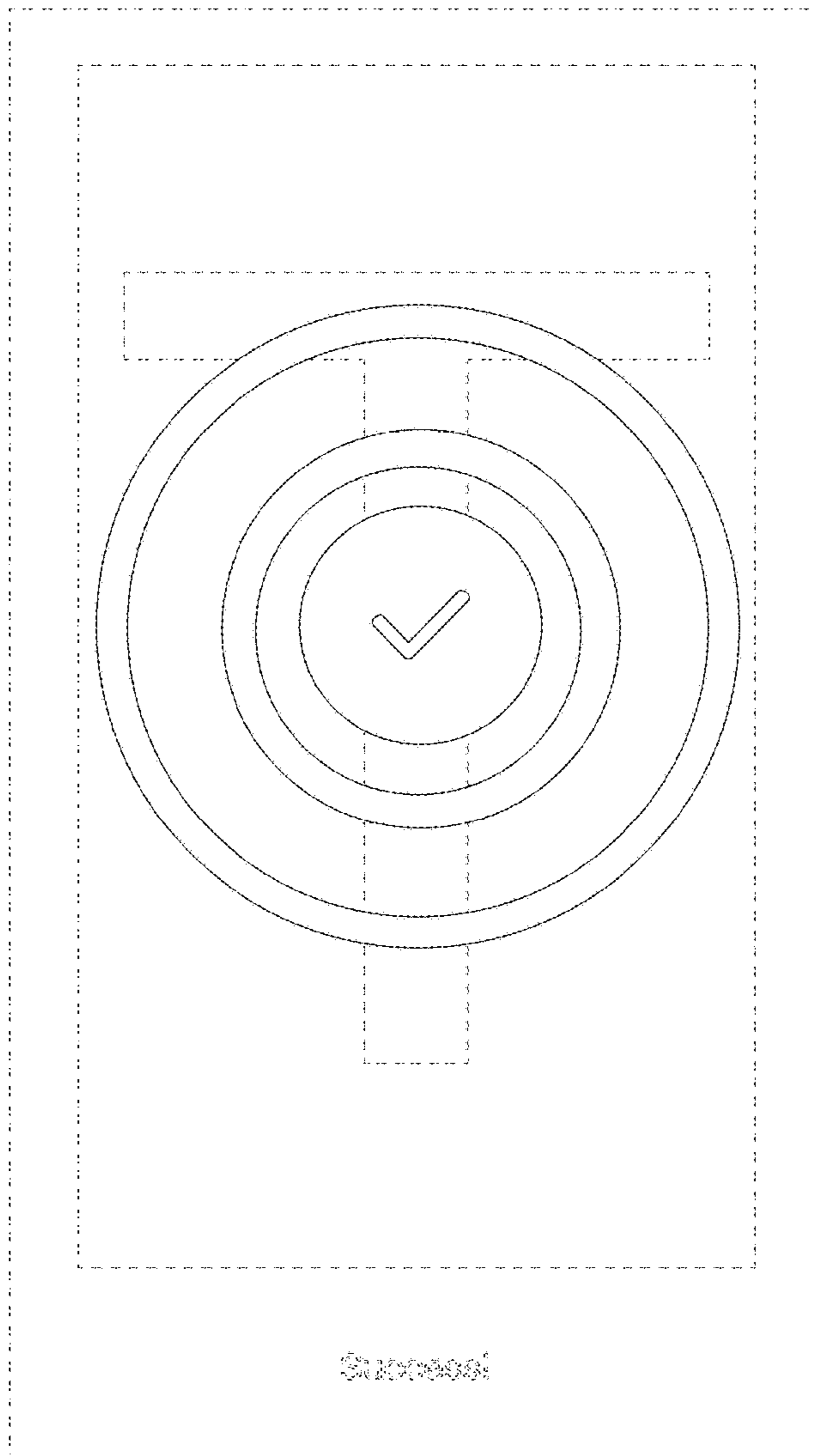


FIG. 5