



US00D847844S

(12) **United States Design Patent** (10) **Patent No.:** **US D847,844 S**  
**Li et al.** (45) **Date of Patent:** **\*\* May 7, 2019**

(54) **MOBILE COMMUNICATION TERMINAL WITH GRAPHICAL USER INTERFACE**

(56) **References Cited**

U.S. PATENT DOCUMENTS

(71) Applicant: **BEIJING KINGSOFT INTERNET SECURITY SOFTWARE CO., LTD.,**  
Beijing (CN)

5,134,560 A	7/1992	Ferriter et al.	
5,481,665 A	1/1996	Okada et al.	
5,774,120 A	6/1998	Goddard et al.	
5,910,268 A	6/1999	Keefer	
D441,543 S	5/2001	Lewis	
6,690,991 B1	2/2004	Kobayashi	
D546,342 S	7/2007	Armendariz	
D667,423 S *	9/2012	Nagamine .....	D14/488
D667,447 S	9/2012	Phelan	
D708,634 S	7/2014	Baumann	
D713,414 S	9/2014	Lee et al.	
D714,330 S *	9/2014	Wood .....	D14/485
D714,819 S *	10/2014	Wang .....	D14/486
D716,823 S	11/2014	Wood	
D737,853 S	9/2015	Gehiere et al.	
D743,441 S	11/2015	Baumann	

(72) Inventors: **Yuan Li**, Beijing (CN); **Delin Liu**,  
Beijing (CN); **Zhe Ma**, Beijing (CN)

(73) Assignee: **Beijing Kingsoft Internet Security Software, Co., Ltd.,** Beijing (CN)

(\*\*) Term: **15 Years**

(21) Appl. No.: **29/635,332**

(22) Filed: **Jan. 30, 2018**

(Continued)

**Related U.S. Application Data**

(62) Division of application No. 29/586,814, filed on Dec. 7, 2016, now Pat. No. Des. 823,317.

**Foreign Application Priority Data**

Jun. 7, 2016 (CN) ..... 2016 3 0228006

(51) **LOC (11) Cl.** ..... **14-04**

(52) **U.S. Cl.**  
USPC ..... **D14/486**

**Field of Classification Search**

USPC ..... D14/485-495; D20/11; D21/324, 325  
CPC .... G06F 3/048; G06F 3/0481; G06F 3/04817;  
G06F 3/0483; G06F 3/04842; G06F  
3/0485; G06F 3/04855; G06F 3/0486;  
G06F 3/0488; G06F 3/04886; G06F  
9/4443; G06F 17/211; G06F 17/212

See application file for complete search history.

**OTHER PUBLICATIONS**

“Bubbels” Sep. 23, 2013, posted at gallery.mobile9.com, [site visited Jan. 25, 2019]. <https://gallery.mobile9.com/f/3546927>.\*

(Continued)

*Primary Examiner* — Jack Reickel

*Assistant Examiner* — John M Otte

(74) *Attorney, Agent, or Firm* — Leanne Taveggia Farrell;  
David D. Brush; Westman, Champlin & Koehler, P.A.

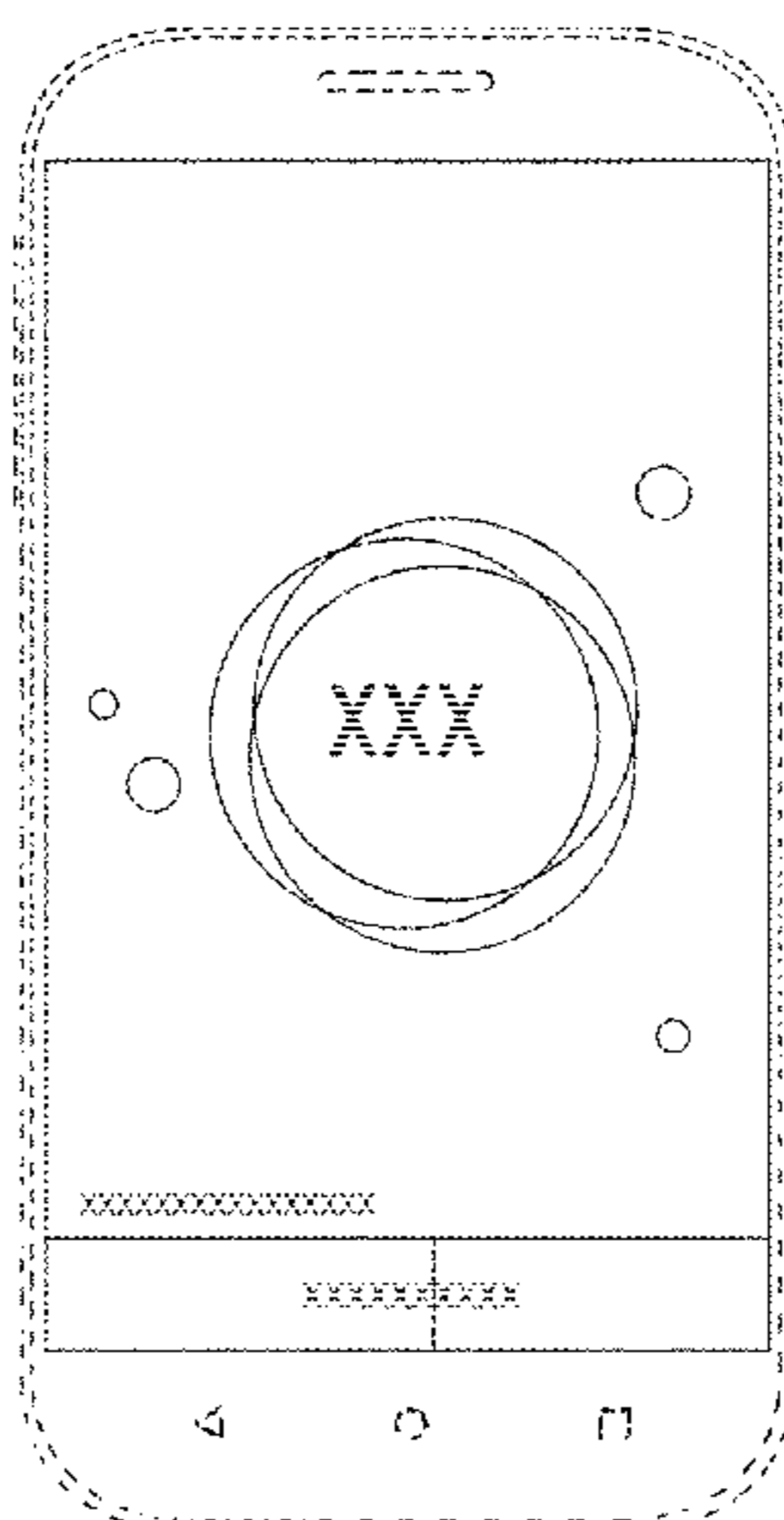
(57) **CLAIM**

The ornamental design for a mobile communication terminal with graphical user interface, as shown and described.

**DESCRIPTION**

The sole FIGURE is a front elevation view of a mobile communication terminal with graphical user interface. The broken lines shown in the drawings of a mobile communication terminal and certain graphic features of the graphical user interface form no part of the claimed design.

**1 Claim, 1 Drawing Sheet**



(56)

References Cited

U.S. PATENT DOCUMENTS

D744,500 S \* 12/2015 Lee ..... D14/485  
 D750,101 S 2/2016 Bates et al.  
 D750,102 S 2/2016 Bates et al.  
 D750,103 S 2/2016 Bates et al.  
 D750,104 S \* 2/2016 Bates ..... D14/485  
 D752,072 S 3/2016 Song  
 D760,777 S 7/2016 Lee et al.  
 D760,790 S \* 7/2016 Ishii ..... G06F 3/04817  
 D14/494  
 D762,673 S 8/2016 Seo et al.  
 D762,730 S 8/2016 Lee et al.  
 D763,871 S 8/2016 Yang et al.  
 D765,729 S 9/2016 Chung  
 D766,965 S 9/2016 Capela et al.  
 D768,715 S 10/2016 Park et al.  
 D783,652 S 4/2017 Guan et al.  
 D785,044 S 4/2017 Tursi et al.  
 D787,527 S 5/2017 Wilberding  
 D788,810 S \* 6/2017 Kim ..... D14/487  
 D799,502 S \* 10/2017 Kim ..... D14/485  
 D805,535 S \* 12/2017 Danielyan ..... D14/486  
 D828,393 S \* 9/2018 Li ..... D14/492  
 D831,067 S \* 10/2018 Ekstrand ..... D14/489  
 2003/0160824 A1 8/2003 Szumla  
 2003/0210280 A1 11/2003 Baker et al.  
 2007/0174762 A1 7/2007 Plant  
 2013/0218688 A1 \* 8/2013 Roos ..... G06F 3/0482  
 705/14.69  
 2013/0227450 A1 \* 8/2013 Na ..... G06F 3/048  
 715/764  
 2016/0275702 A1 9/2016 Reynolds et al.

OTHER PUBLICATIONS

“Bubble chart” Apr. 29, 2016, posted at dharminder.dhanda.com, [site visited Jan. 25, 2019]. <http://dharminder.dhanda.com.au/blog/charts/bubble-chart-2>.  
 Bhatnagar, Bob, “Add Style to Music on the iOS Lock Screen” Mar. 3, 2014, posted at [iphonefaq.org](http://iphonefaq.org), [site visited Jan. 25, 2019] . <https://www.iphonefaq.org/archives/973326>.  
 “Paint brush, Artist icon sign” Jul. 1, 2015, posted at colourbox.com, available from Internet: <https://www.colourbox.com/vector/>

paint-brush-artist-icon-sign-symbol-on-the-round-and-square-buttons-with-frame-vector-vector-13602639.  
 “Illustration of paintbrush icon with metal ring” Mar. 9, 2015, posted at [alamy.com](http://www.alamy.com/stock-photo-illustration-of-paintbrush-icon-with-metal-ring-82929283.html), available from Internet: <http://www.alamy.com/stock-photo-illustration-of-paintbrush-icon-with-metal-ring-82929283.html>.  
 “Art, brush, graphic, paint, painting, tool icon” Oct. 1, 2015, posted at [iconfinder.com](https://web.archive.org/web/20151001150813/https://www.iconfinder.com/icons/265433/art_brush_graphic_paint_painting_tool_icon), available from Internet: [https://web.archive.org/web/20151001150813/https://www.iconfinder.com/icons/265433/art\\_brush\\_graphic\\_paint\\_painting\\_tool\\_icon](https://web.archive.org/web/20151001150813/https://www.iconfinder.com/icons/265433/art_brush_graphic_paint_painting_tool_icon).  
 “Set of construction icons” May 20, 2016, posted at [stockunlimited.com](http://stockunlimited.com), available from Internet: [https://web.archive.org/web/20160520234442/https://www.stockunlimited.com/vector-illustration/set-of-construction-icons\\_1544272.html](https://web.archive.org/web/20160520234442/https://www.stockunlimited.com/vector-illustration/set-of-construction-icons_1544272.html).  
 Design U.S. Appl. No. 29/586,810 entitled “Mobile Communication Terminal With Graphical User Interface”, filed Dec. 7, 2016, 10 pages.  
 Design U.S. Appl. No. 29/586,823 entitled “Mobile Communication Terminal With Graphical User Interface”, filed Dec. 7, 2016, 10 pages.  
 Design U.S. Appl. No. 29/586,825 entitled “Mobile Communication Terminal With Graphical User Interface”, filed Dec. 7, 2016, 14 pages.  
 Design U.S. Appl. No. 29/586,828 entitled “Mobile Communication Terminal With Graphical User Interface”, filed Dec. 7, 2016, 8 pages.  
 Design U.S. Appl. No. 29/586,829 entitled “Mobile Communication Terminal With Graphical User Interface”, filed Dec. 7, 2016, 14 pages.  
 Design U.S. Appl. No. 29/586,844 entitled “Mobile Communication Terminal With Graphical User Interface”, filed Dec. 7, 2016, 27 pages.  
 Design U.S. Appl. No. 29/635,321 entitled “Mobile Communication Terminal With Graphical User Interface”, filed Jan. 30, 2018, 12 pages.  
 Design U.S. Appl. No. 29/635,327 entitled “Mobile Communication Terminal With Graphical User Interface”, filed Jan. 30, 2018, 12 pages.  
 Design U.S. Appl. No. 29/635,333 entitled “Mobile Communication Terminal With Graphical User Interface”, filed Jan. 30, 2018, 12 pages.  
 Design U.S. Appl. No. 29/635,336 entitled “Mobile Communication Terminal With Graphical User Interface”, filed Jan. 30, 2018, 12 pages.

\* cited by examiner

