



US00D847821S

(12) **United States Design Patent** (10) **Patent No.:** **US D847,821 S**
Gowda (45) **Date of Patent:** **** May 7, 2019**

(54) **WEARABLE DEVICE HOLDER**
(71) Applicant: **Mihir Gowda**, Rocky Hill, CT (US)
(72) Inventor: **Mihir Gowda**, Rocky Hill, CT (US)
(**) Term: **15 Years**
(21) Appl. No.: **29/636,817**
(22) Filed: **Feb. 12, 2018**
(51) **LOC (11) Cl.** **08-07**
(52) **U.S. Cl.**
USPC **D14/447**
(58) **Field of Classification Search**
USPC D14/447, 432, 434, 439, 440, 451, 452,
D14/457, 239, 251, 253; D8/363, 373,
D8/380; D6/406.3, 406.4, 406.5, 406.6;
D12/415; D3/218
CPC A47B 21/04; A47B 2097/006; A47B
2097/005; A47B 2023/049; A45C
2011/002; A45C 2011/003; F16M
2200/00; F16M 13/00
See application file for complete search history.

D664,147 S * 7/2012 Zhao D14/452
D673,162 S 12/2012 Young
D676,450 S * 2/2013 Lye D14/447
8,616,423 B2 12/2013 Wizikowski
D707,684 S * 6/2014 Hill D14/447
D709,073 S * 7/2014 Inman D14/447
8,827,234 B2 9/2014 Baker
D714,793 S * 10/2014 Kim D14/447
D717,307 S * 11/2014 Chun D14/447
D755,794 S * 5/2016 Li D14/439
9,456,066 B2 9/2016 Singhal
9,655,425 B2 5/2017 Sasaki et al.
D804,487 S * 12/2017 Theis D14/447
D825,574 S * 8/2018 Davies D14/447
D826,948 S * 8/2018 Xiao D14/447
D829,724 S * 10/2018 Chun D14/447
2002/0104861 A1 8/2002 Kerjean
2003/0178453 A1 9/2003 Soboleski
2009/0227381 A1 9/2009 Snavely, II

(Continued)

Primary Examiner — Angela J Lee
(74) *Attorney, Agent, or Firm* — McCormick, Paulding & Huber LLP

(57) **CLAIM**

The ornamental design for a wearable device holder, as shown and described.

DESCRIPTION

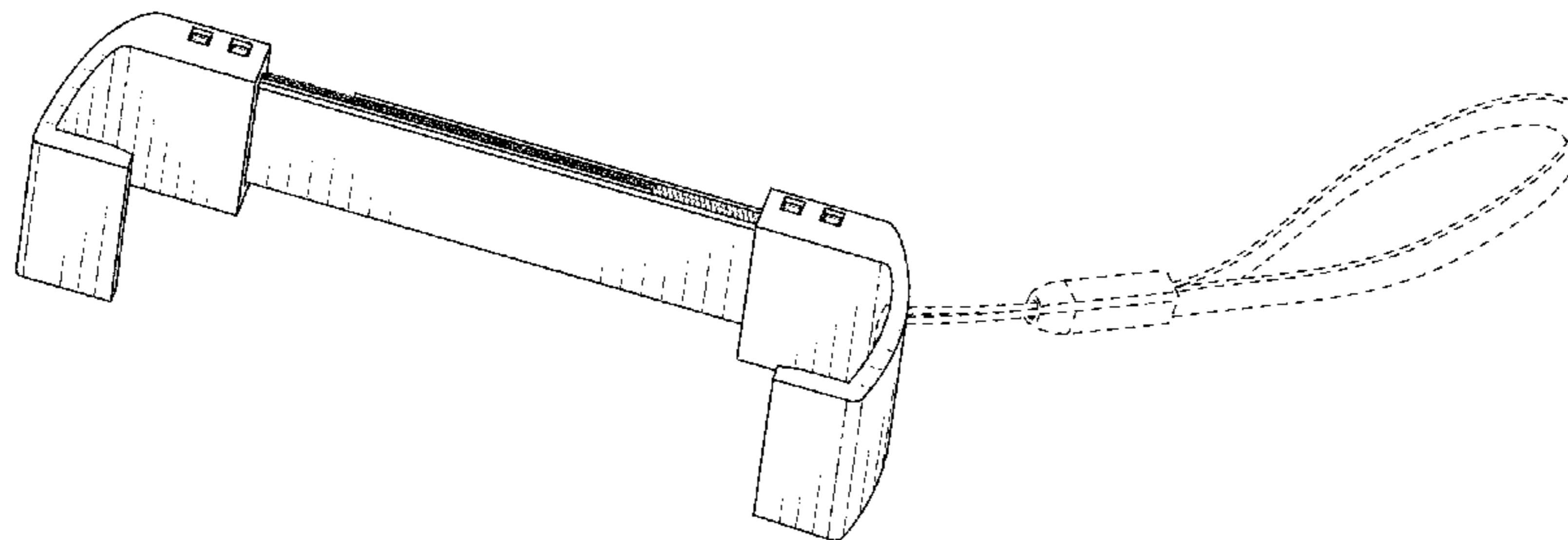
FIG. 1 is a front, top and right perspective view of a wearable device holder, comprising a new, original and ornamental design;
FIG. 2 is a front view thereof;
FIG. 3 is a rear view thereof;
FIG. 4 is a left view thereof;
FIG. 5 is a right view thereof;
FIG. 6 is a top view thereof; and,
FIG. 7 is a bottom view thereof.
The broken lines show portions of the wearable device holder that form no part of the claimed design.

1 Claim, 5 Drawing Sheets

(56) **References Cited**

U.S. PATENT DOCUMENTS

2,779,523 A 1/1957 Klimkiewicz
2,876,022 A 3/1959 Kroviak
3,536,068 A 10/1970 Stubbs
5,246,251 A 9/1993 Evans
5,535,928 A 7/1996 Herring
D414,211 S 9/1999 Williams
6,168,556 B1 1/2001 Saavedra
6,527,300 B1 3/2003 Moss
6,672,621 B1 1/2004 Moss
D520,739 S * 5/2006 Tsai D3/218
7,237,756 B2 7/2007 Isenberg
7,469,809 B2 12/2008 Rodarte et al.
D633,040 S * 2/2011 Le D13/108
D650,531 S 12/2011 Young et al.



(56)

References Cited

U.S. PATENT DOCUMENTS

2011/0011676 A1 1/2011 DeLair
2012/0217275 A1 8/2012 Yu

* cited by examiner

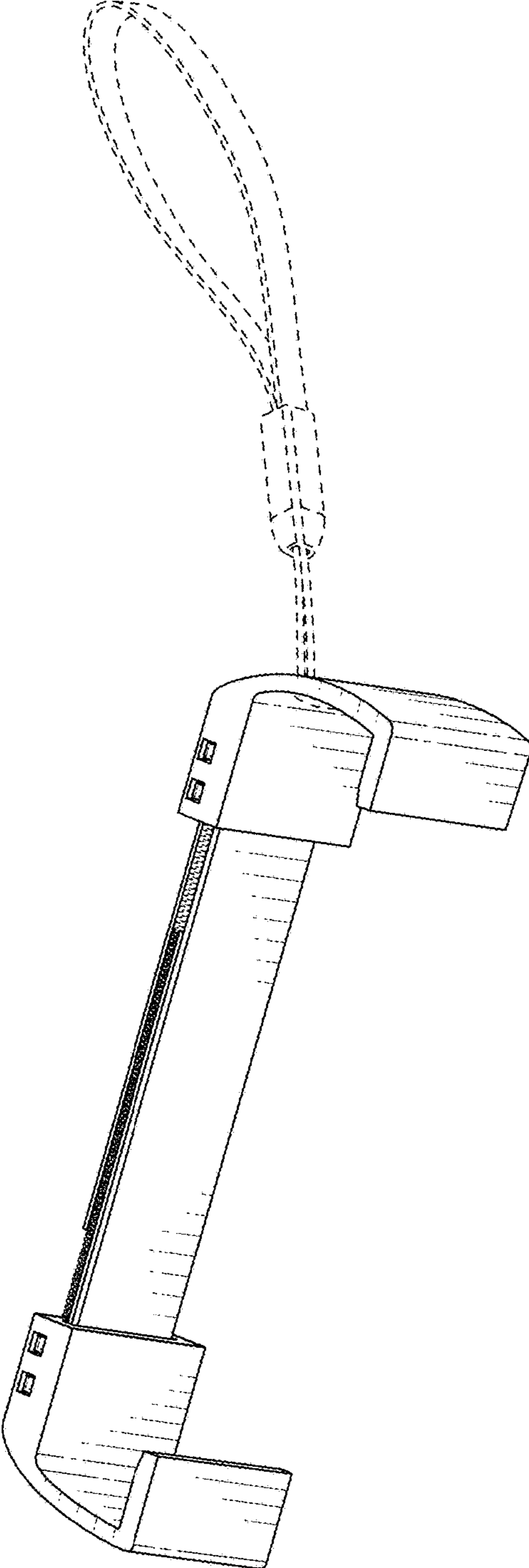


FIG. 1

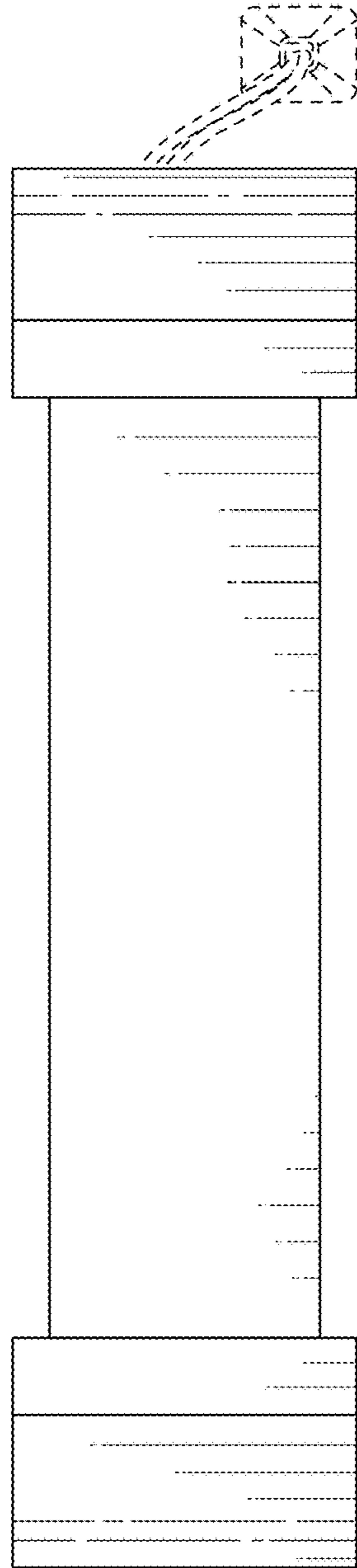


FIG. 2

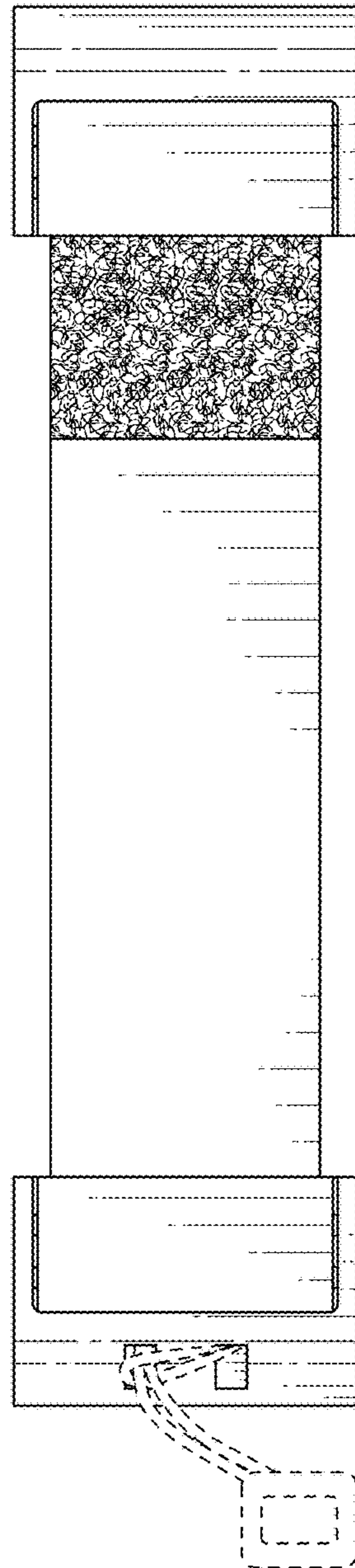


FIG. 3

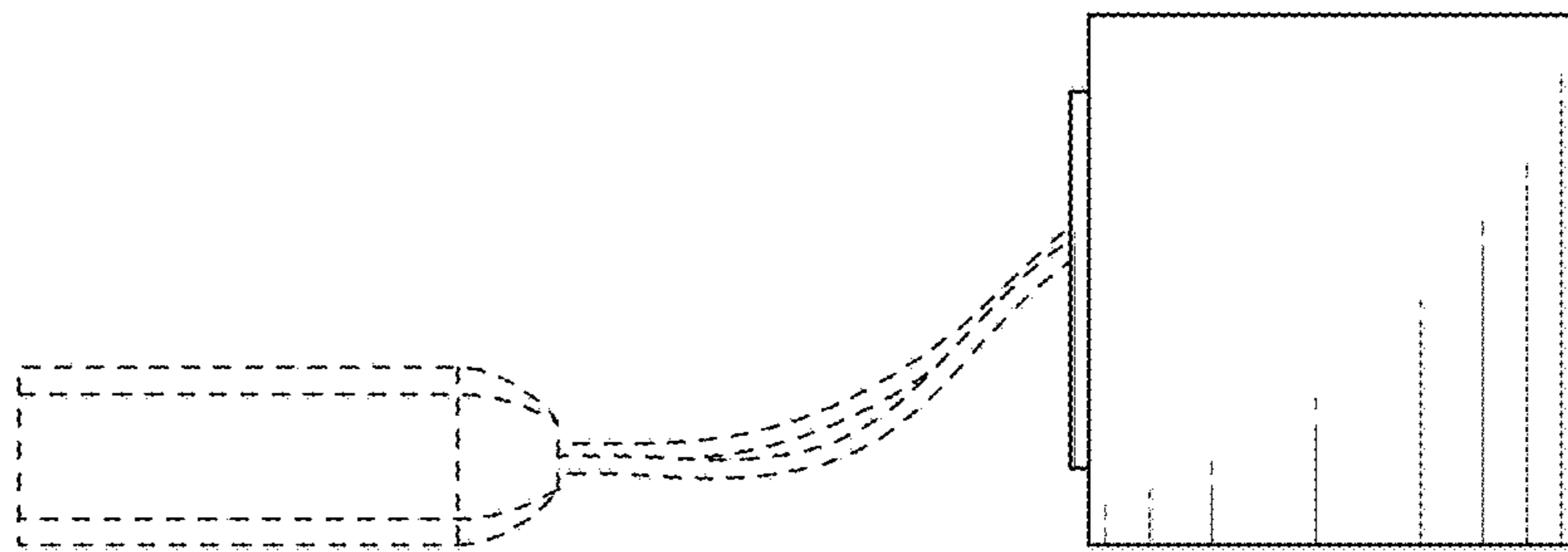


FIG. 4

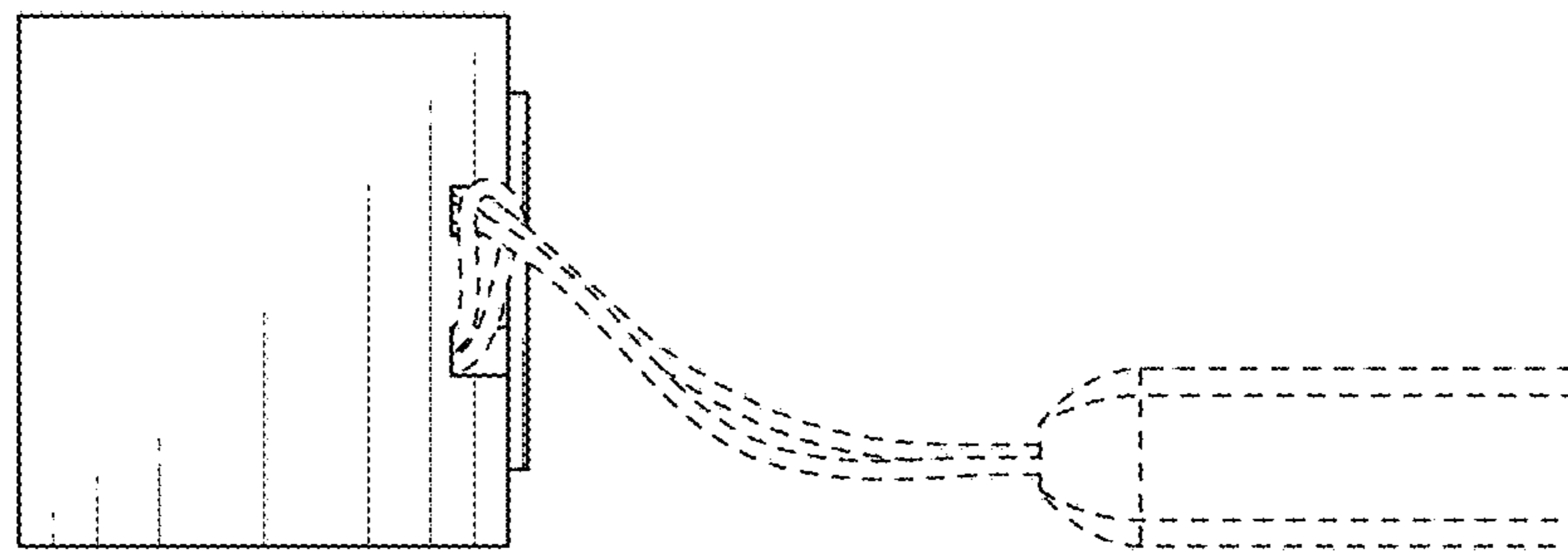


FIG. 5

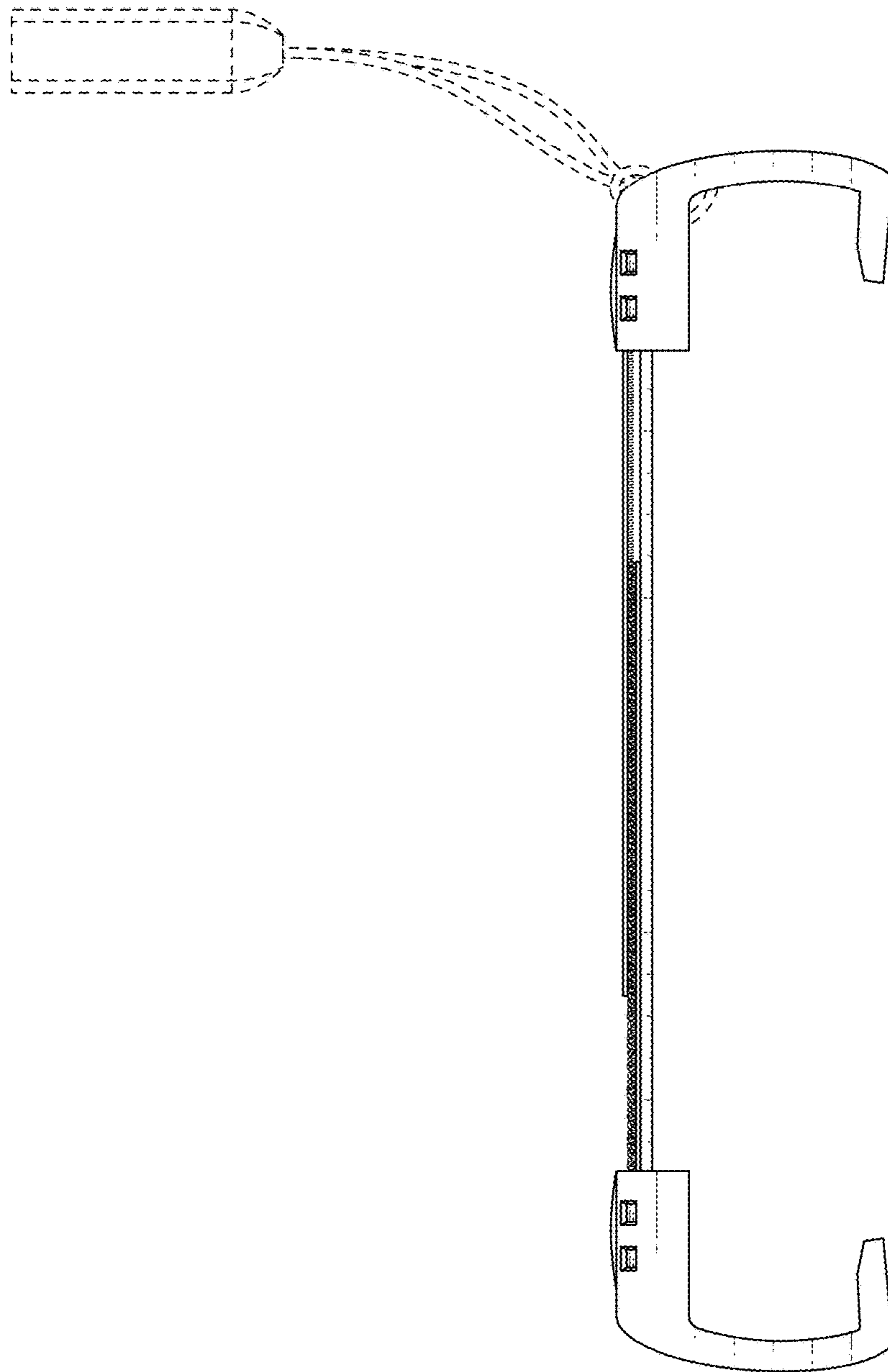


FIG. 6

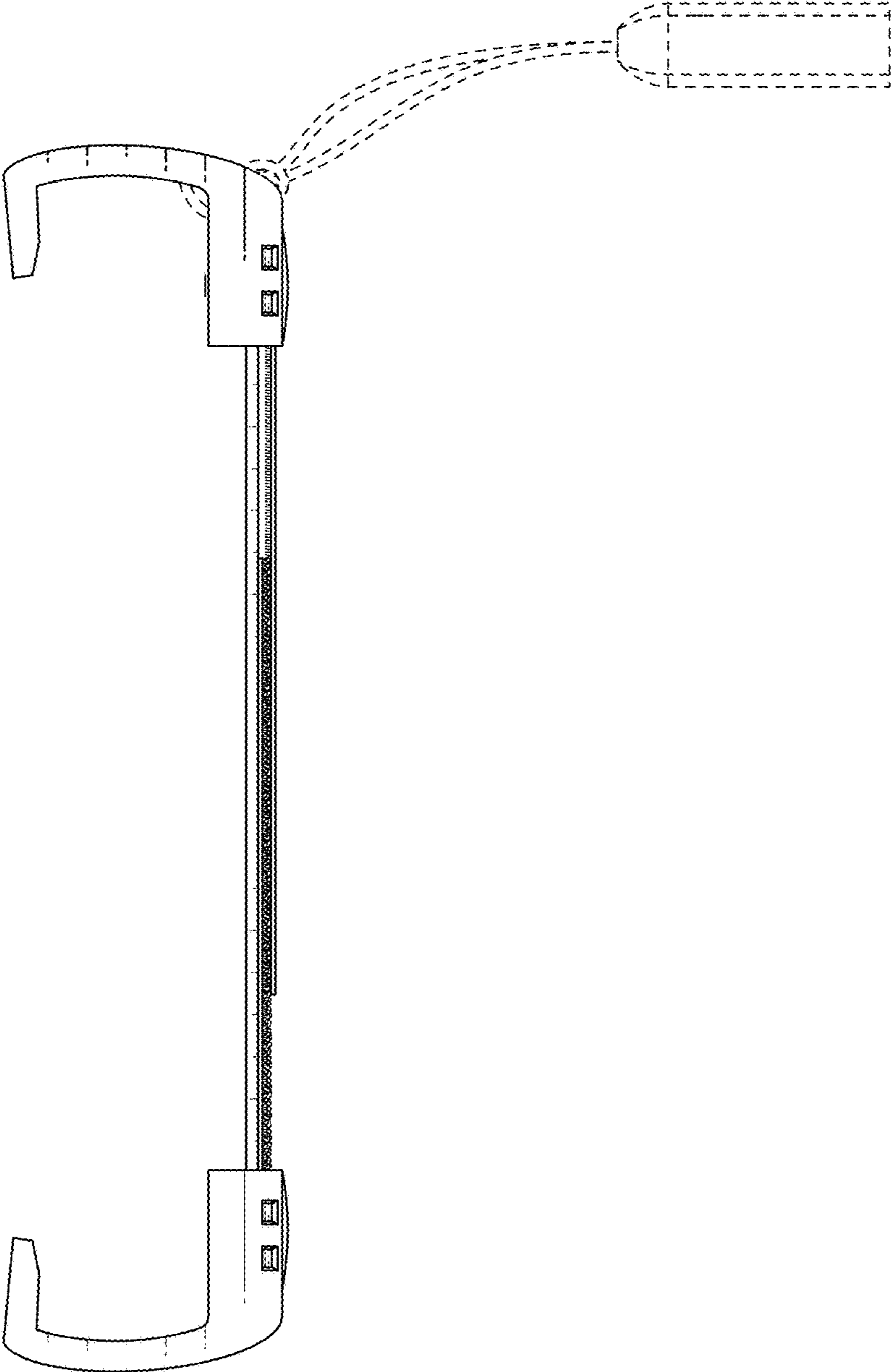


FIG. 7