

US00D847818S

(12) **United States Design Patent** (10) **Patent No.:** **US D847,818 S**
Szczypinski et al. (45) **Date of Patent:** **** May 7, 2019**

(54) **ELECTRONIC TABLET CASE**
(71) Applicant: **Microsoft Corporation**, Redmond, WA (US)
(72) Inventors: **David K. Szczypinski**, Bothell, WA (US); **Michael T. Pope**, Sammamish, WA (US); **Marc Harper**, Snohomish, WA (US); **Neil O'Connell**, Seattle, WA (US); **Dane Michael Hansen**, Marysville, WA (US); **Skooks Pong**, Kirkland, WA (US)
(73) Assignee: **Microsoft Corporation**, Redmond, WA (US)

(**) Term: **15 Years**
(21) Appl. No.: **29/635,464**
(22) Filed: **Jan. 31, 2018**
(51) **LOC (11) Cl.** **14-02**
(52) **U.S. Cl.**
USPC **D14/440**
(58) **Field of Classification Search**
USPC D14/440; 206/45.23, 320, 45.2; 361/679.55; 294/25; 224/218
CPC ... G06F 1/1628; G06F 1/1626; A47B 23/044; H04B 1/3888; H05K 5/0217
See application file for complete search history.

(56) **References Cited**
U.S. PATENT DOCUMENTS
D566,383 S 4/2008 Harris et al.
D568,605 S 5/2008 Harris et al.
D570,101 S 6/2008 Harris et al.
D570,102 S 6/2008 Harris et al.
D570,103 S 6/2008 Harris et al.
D676,449 S * 2/2013 Probst D14/440
D695,745 S * 12/2013 Kim D14/440
D704,688 S 5/2014 Reivo et al.

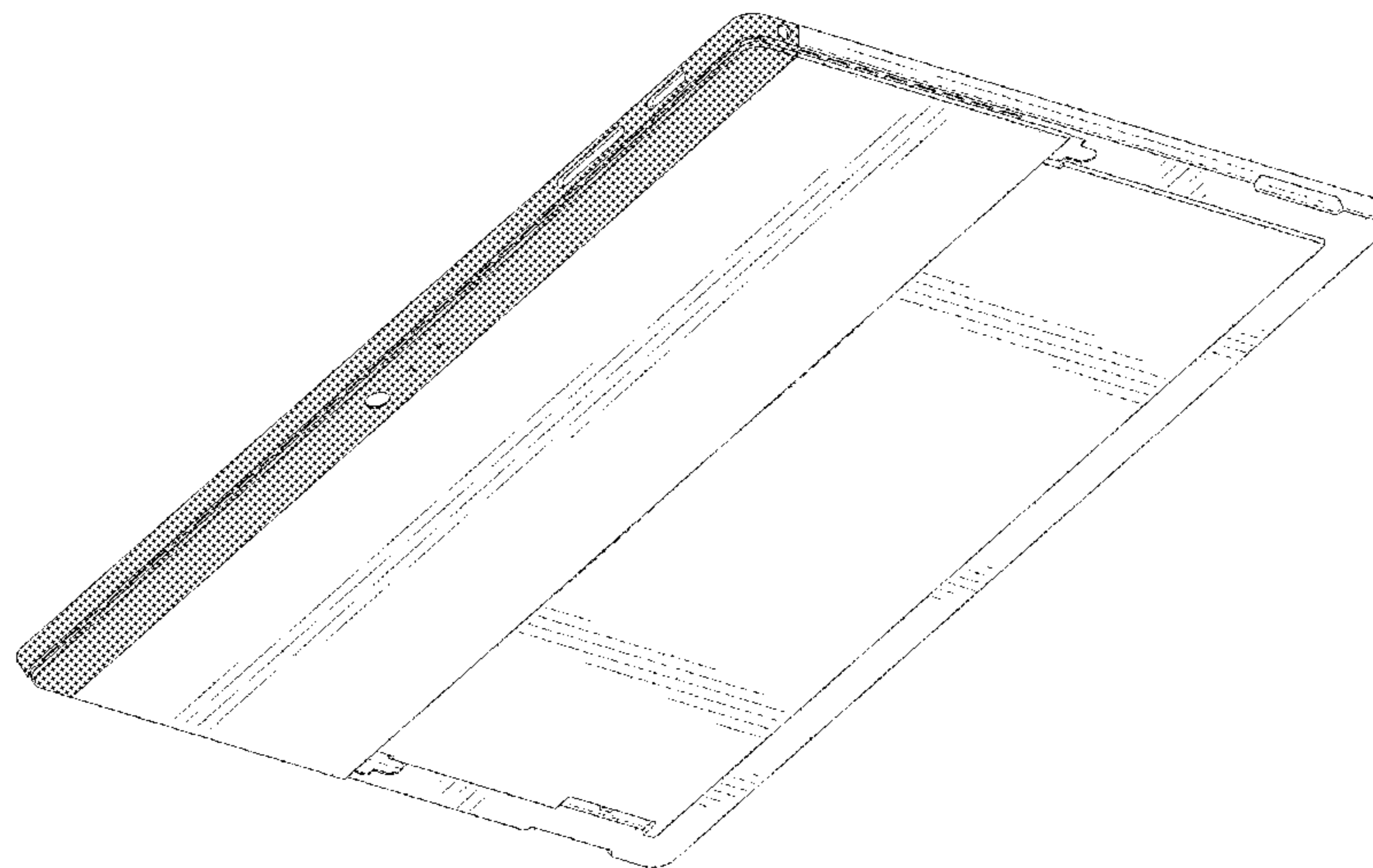
D704,693 S * 5/2014 Kim D14/250
D706,270 S * 6/2014 Akana D14/440
D723,038 S * 2/2015 Kim D14/440
D745,483 S 12/2015 Dhondt
D765,086 S * 8/2016 Lee D14/440
D765,626 S 9/2016 Tattari

(Continued)
Primary Examiner — Cynthia R Underwood
(74) *Attorney, Agent, or Firm* — Banner & Witcoff, Ltd.

(57) **CLAIM**
The ornamental design for an electronic tablet case, as shown and described.

DESCRIPTION
FIG. 1 is a front perspective view of an electronic tablet case showing our new design;
FIG. 2 is another front perspective view thereof;
FIG. 3 is a front view thereof;
FIG. 4 is a rear perspective view thereof;
FIG. 5 is a rear view thereof;
FIG. 6 is a right side view thereof;
FIG. 7 is a left side view thereof;
FIG. 8 is a top view thereof;
FIG. 9 is a bottom view thereof;
FIG. 10 is a front perspective view of the electronic tablet case showing an alternative embodiment of our new design;
FIG. 11 is another front perspective view thereof;
FIG. 12 is a front view thereof;
FIG. 13 is a rear perspective view thereof;
FIG. 14 is a rear view thereof;
FIG. 15 is a right side view thereof;
FIG. 16 is a left side view thereof;
FIG. 17 is a top view thereof; and
FIG. 18 is a bottom view thereof.
The contrast in shading in FIGS. 10-17 illustrates a color contrast. The broken lines represent unclaimed environmental structure and form no part of the claimed design.

1 Claim, 12 Drawing Sheets



(56)

References Cited

U.S. PATENT DOCUMENTS

D765,663	S	*	9/2016	Shih	D14/440
D768,638	S	*	10/2016	Lee	D14/440
D776,050	S	*	1/2017	Awad	D13/102
D787,520	S	*	5/2017	Wall	D14/440
D799,491	S	*	10/2017	Barnard	D14/440
D804,486	S	*	12/2017	Nyholm	D14/440
D808,393	S	*	1/2018	Moore	D14/440
D810,088	S	*	2/2018	Moore	D14/440
D810,750	S	*	2/2018	Chang	D14/434
D828,360	S	*	9/2018	Moore	D14/440
D828,842	S	*	9/2018	Mecchella	D14/440
D832,855	S	*	11/2018	Jinkinson	D14/440
D834,582	S	*	11/2018	Zhuang	D14/440
2013/0015088	A1	*	1/2013	Wu	A45C 11/00 206/320

* cited by examiner

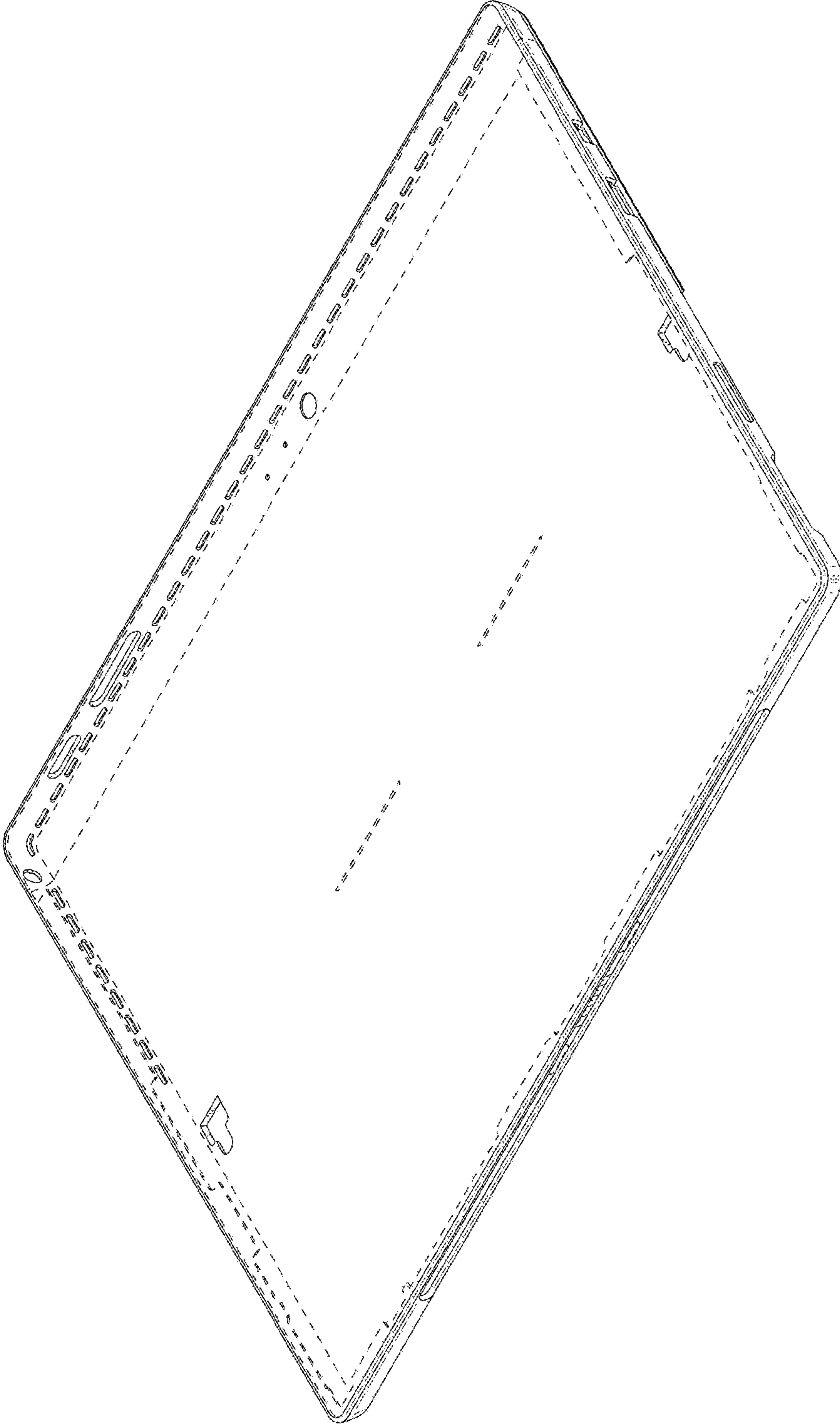


FIG. 1

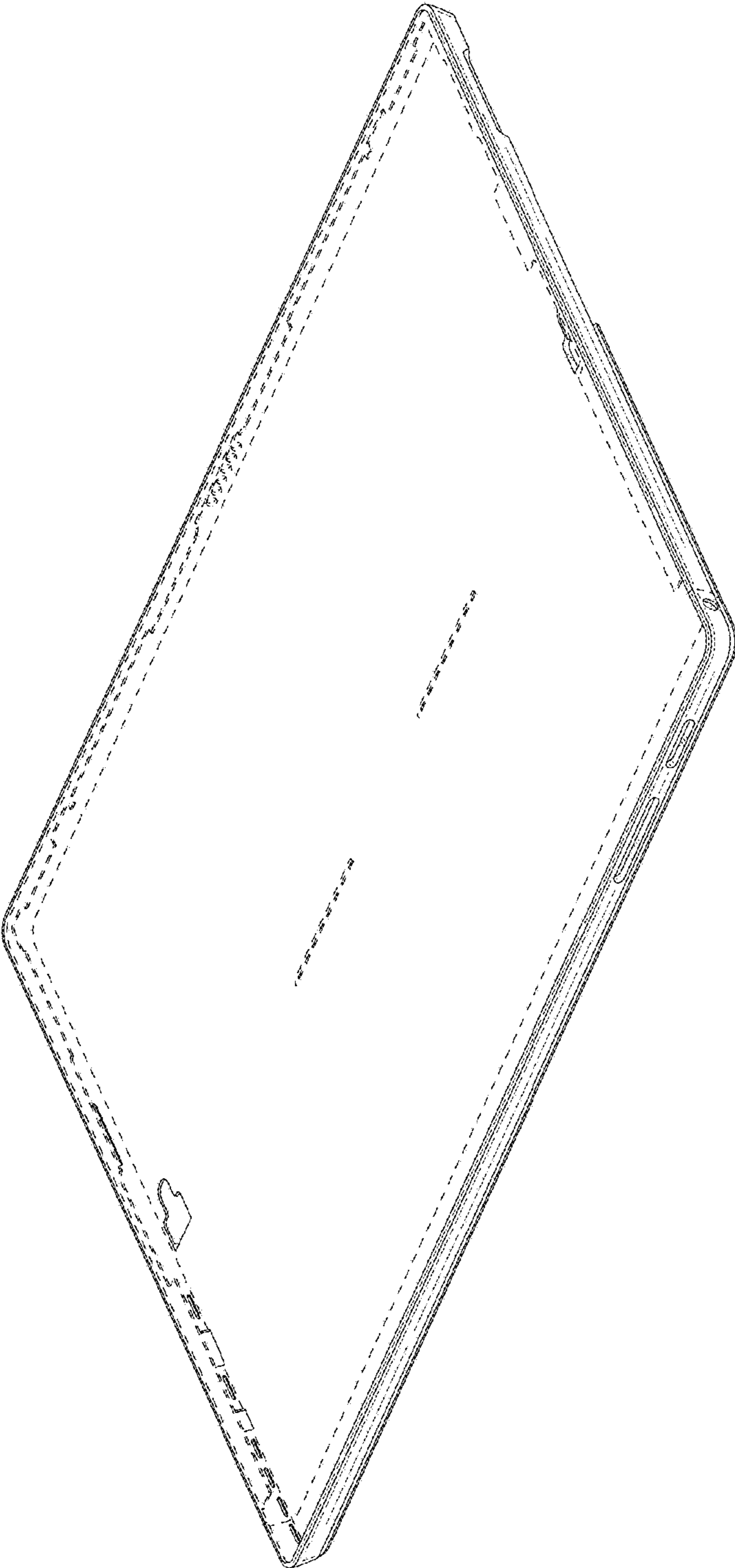


FIG. 2

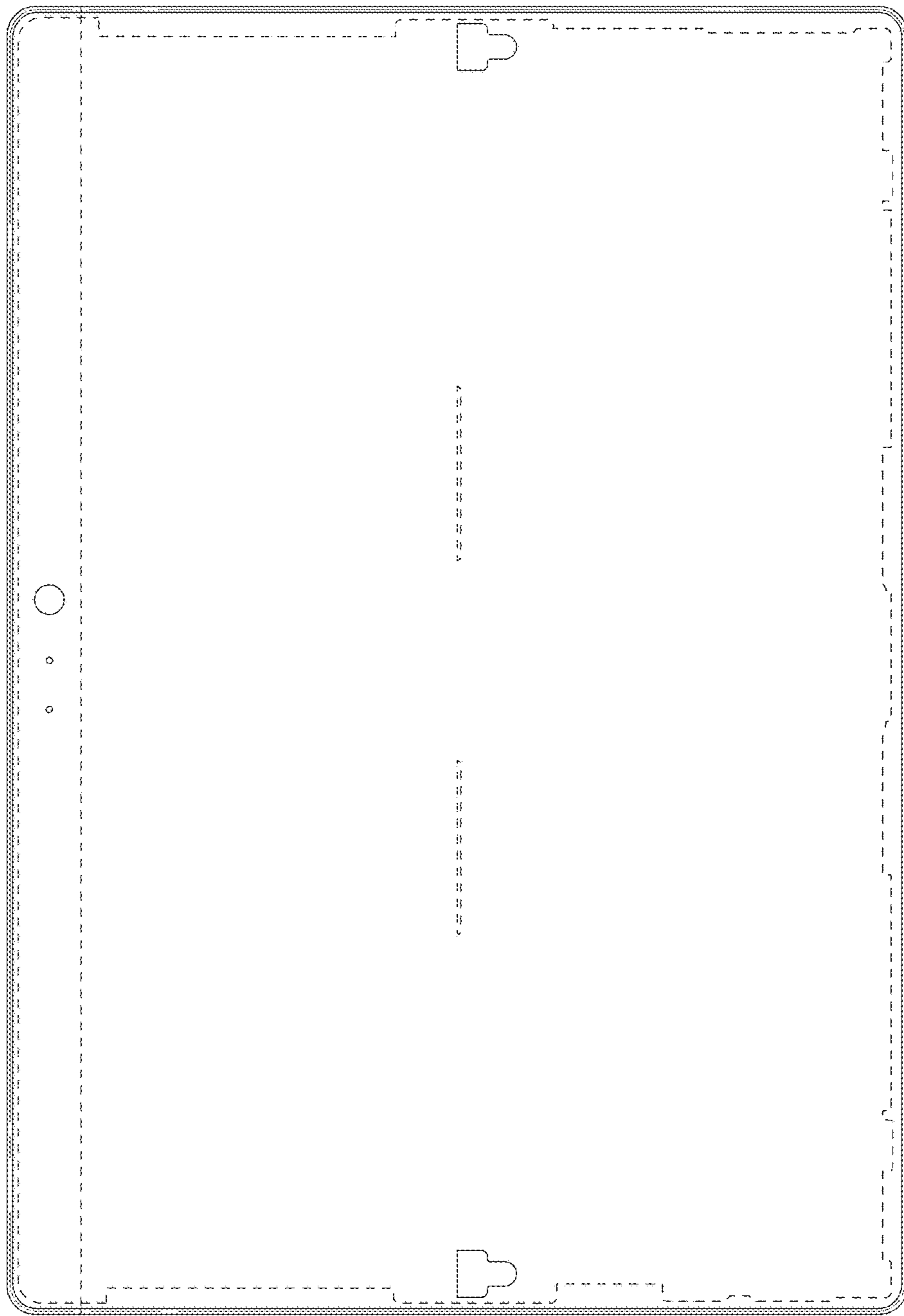


FIG. 3

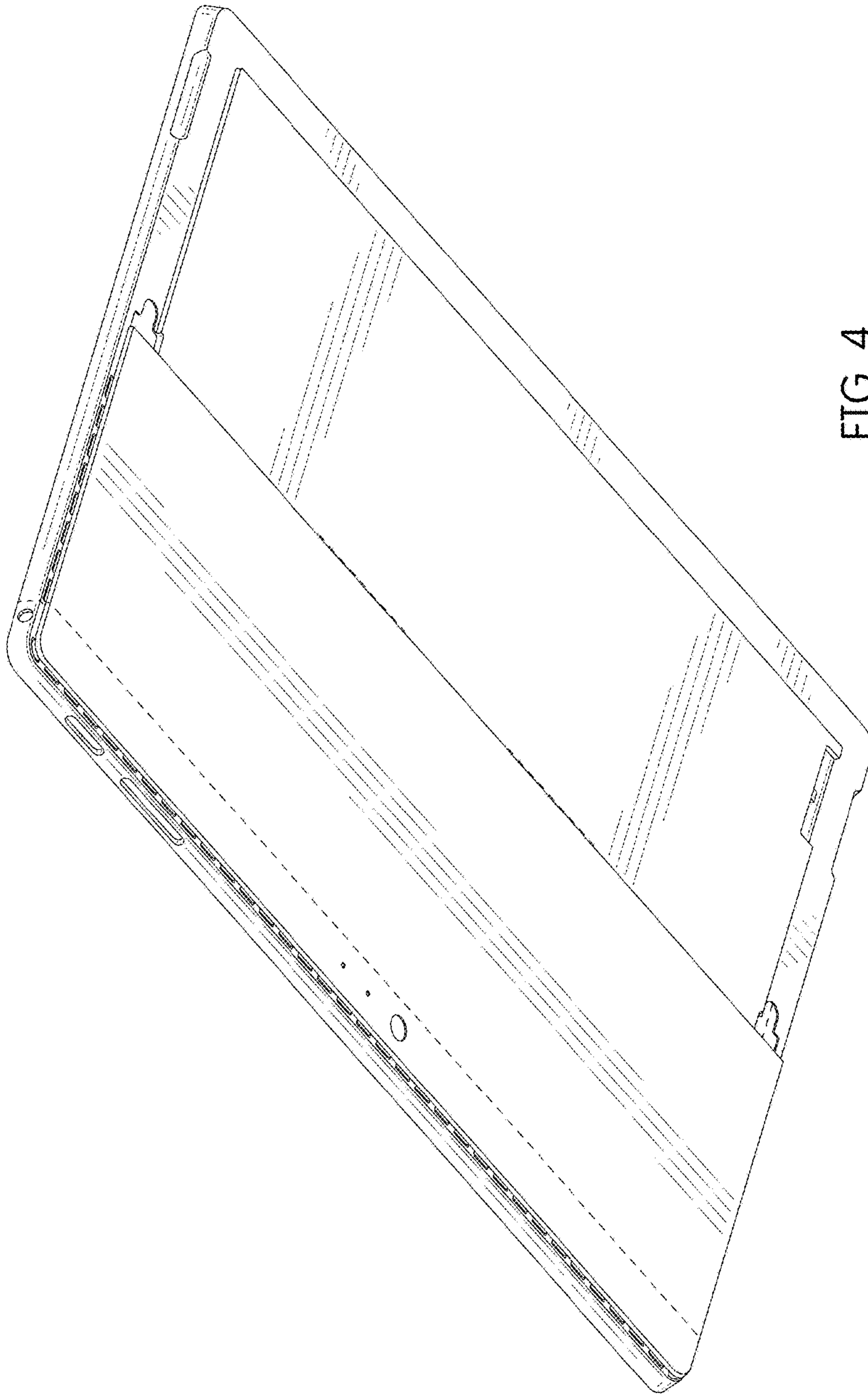


FIG. 4

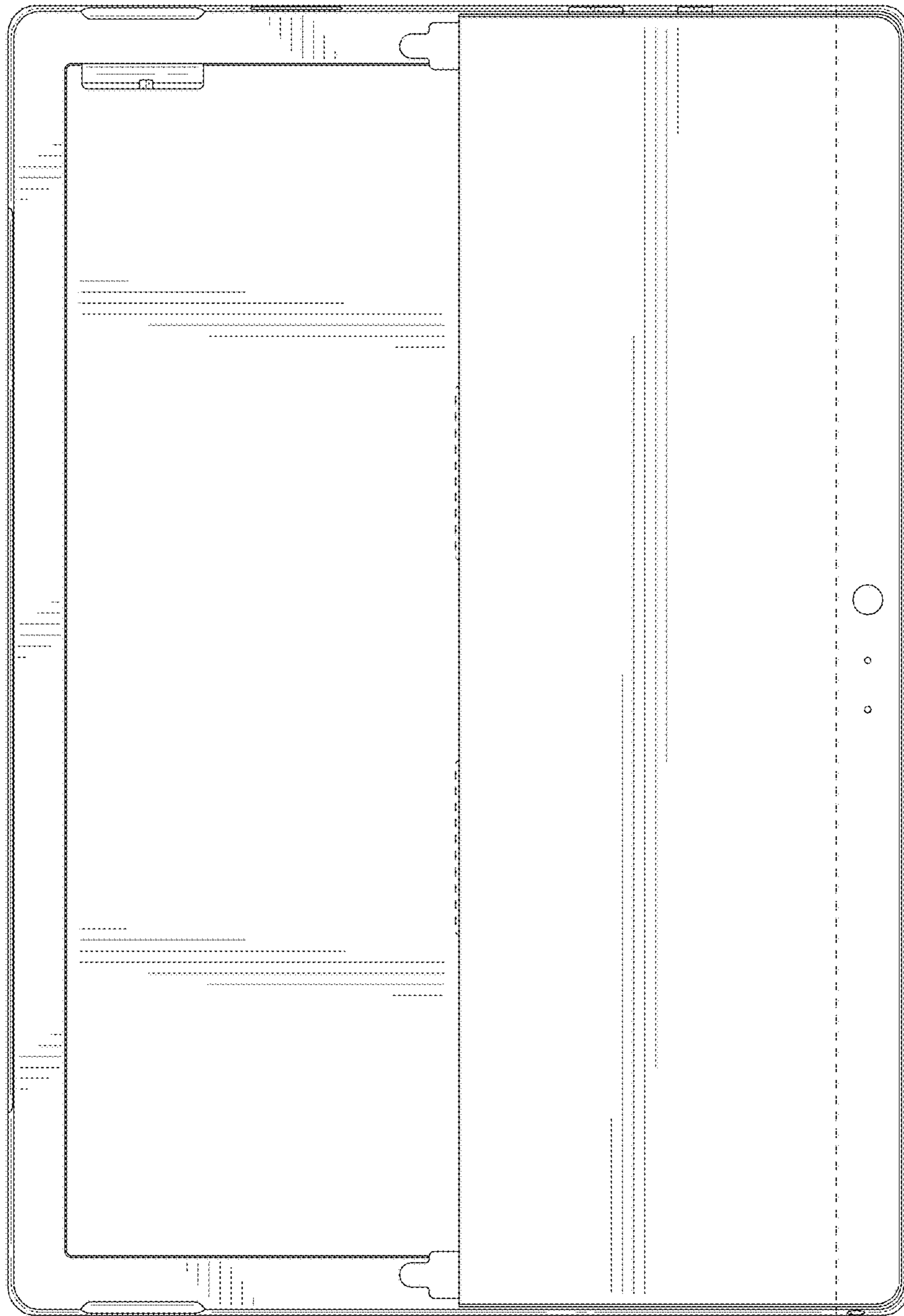


FIG. 5

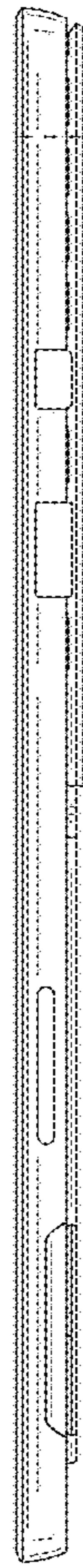


FIG. 6



FIG. 7

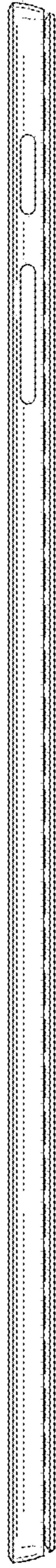


FIG. 8

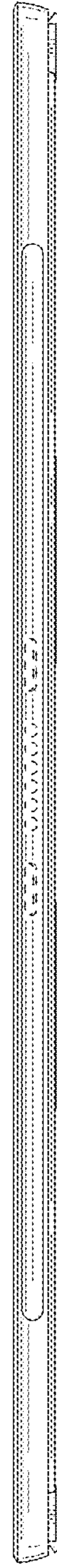


FIG. 9

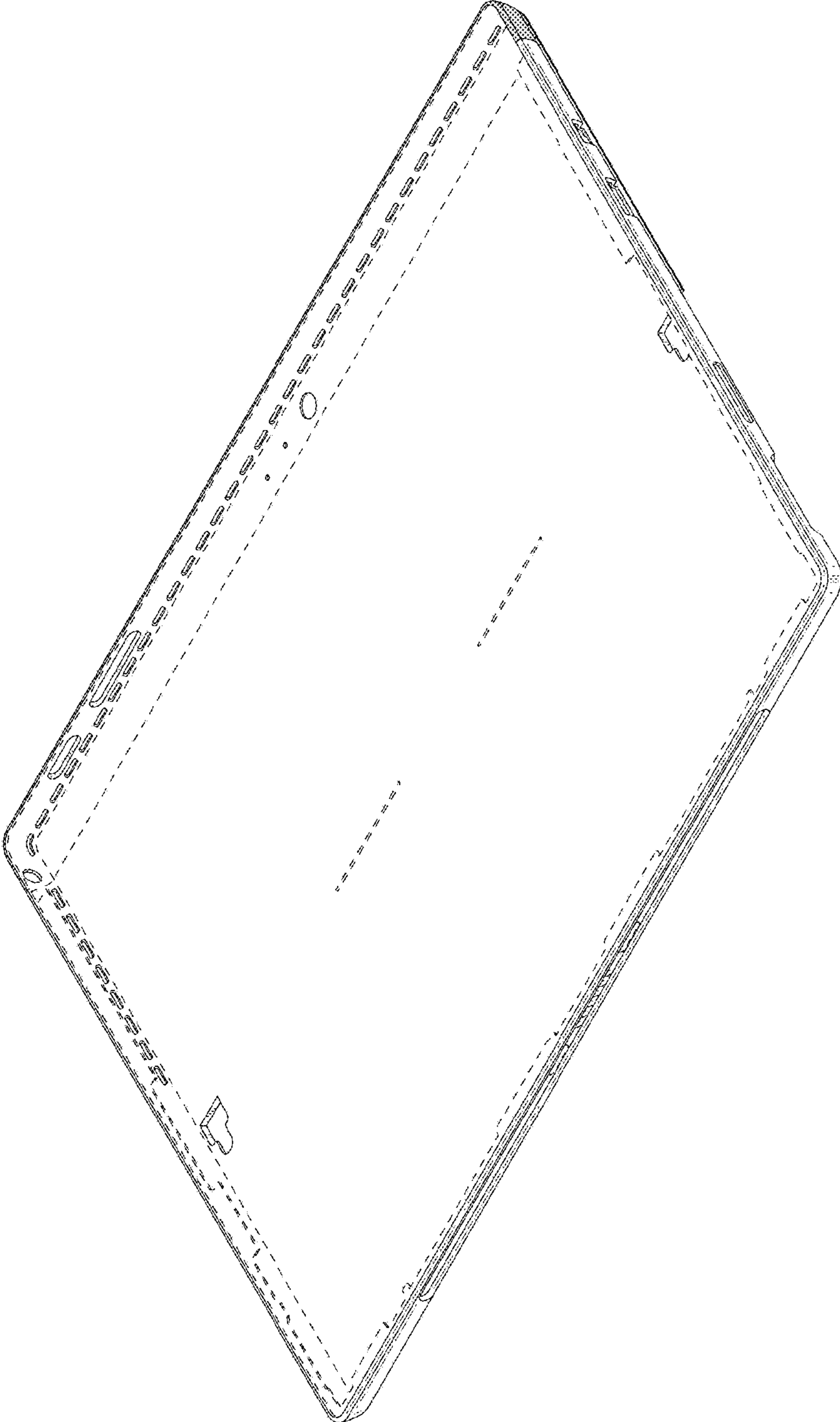


FIG. 10

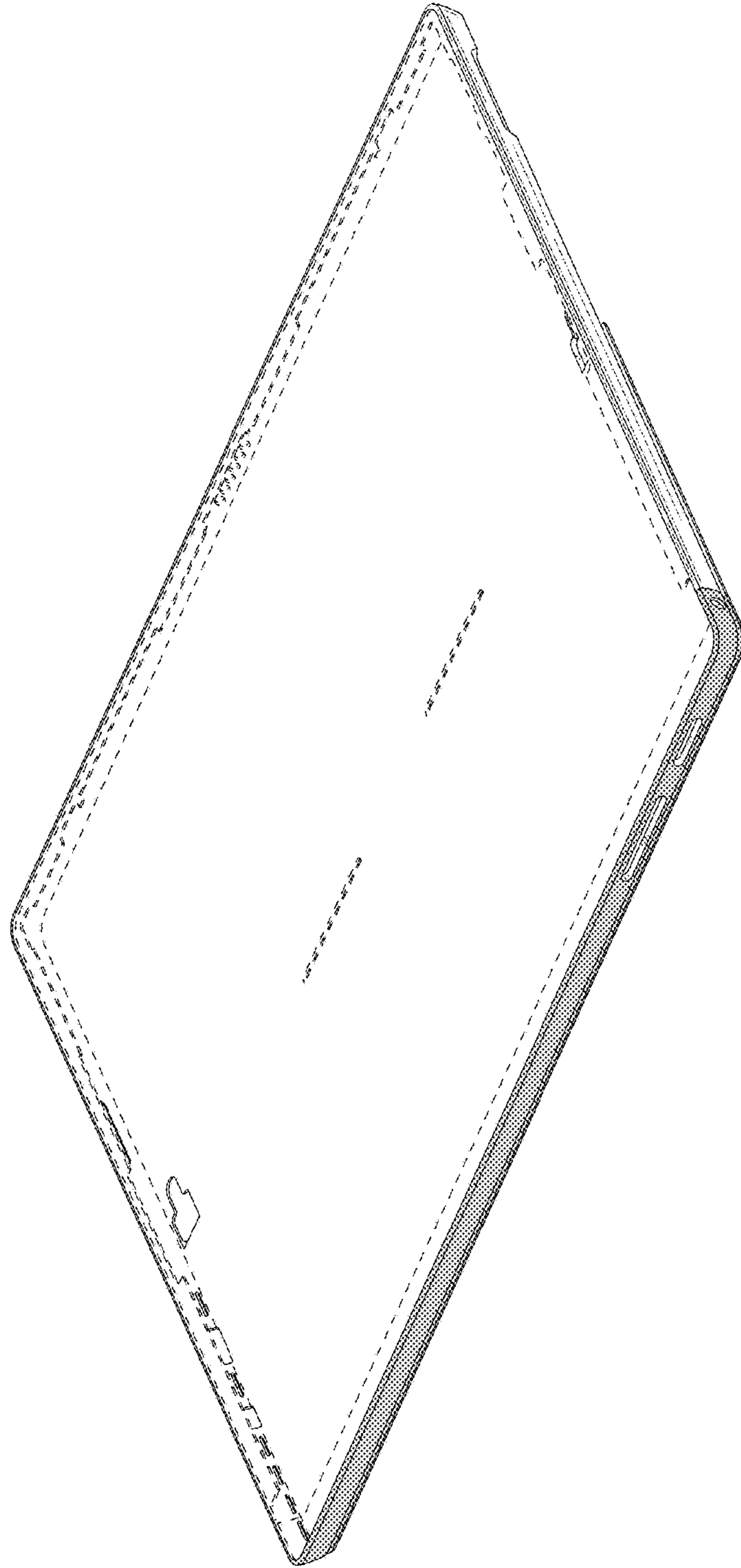


FIG. 11

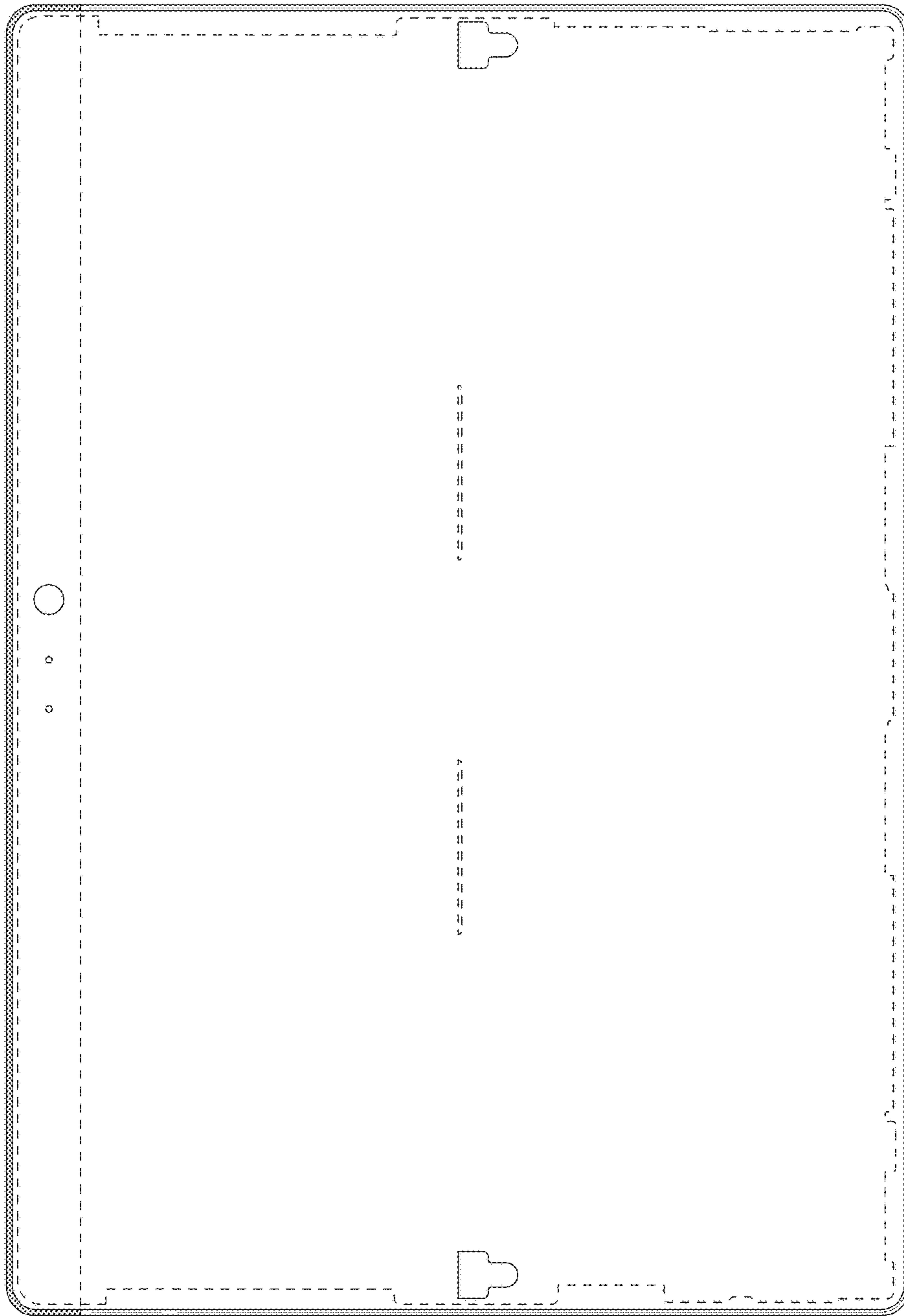


FIG. 12

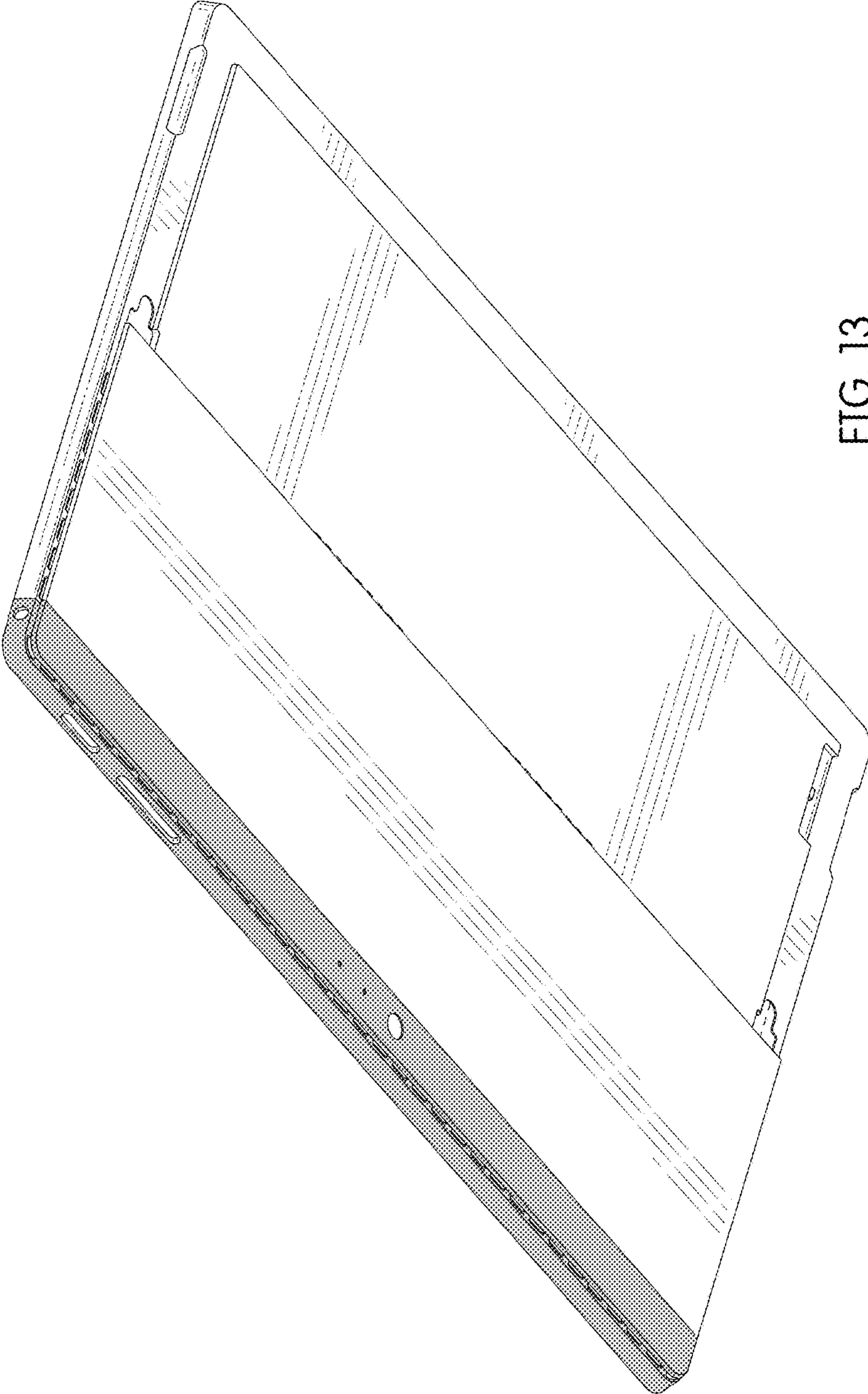


FIG. 13

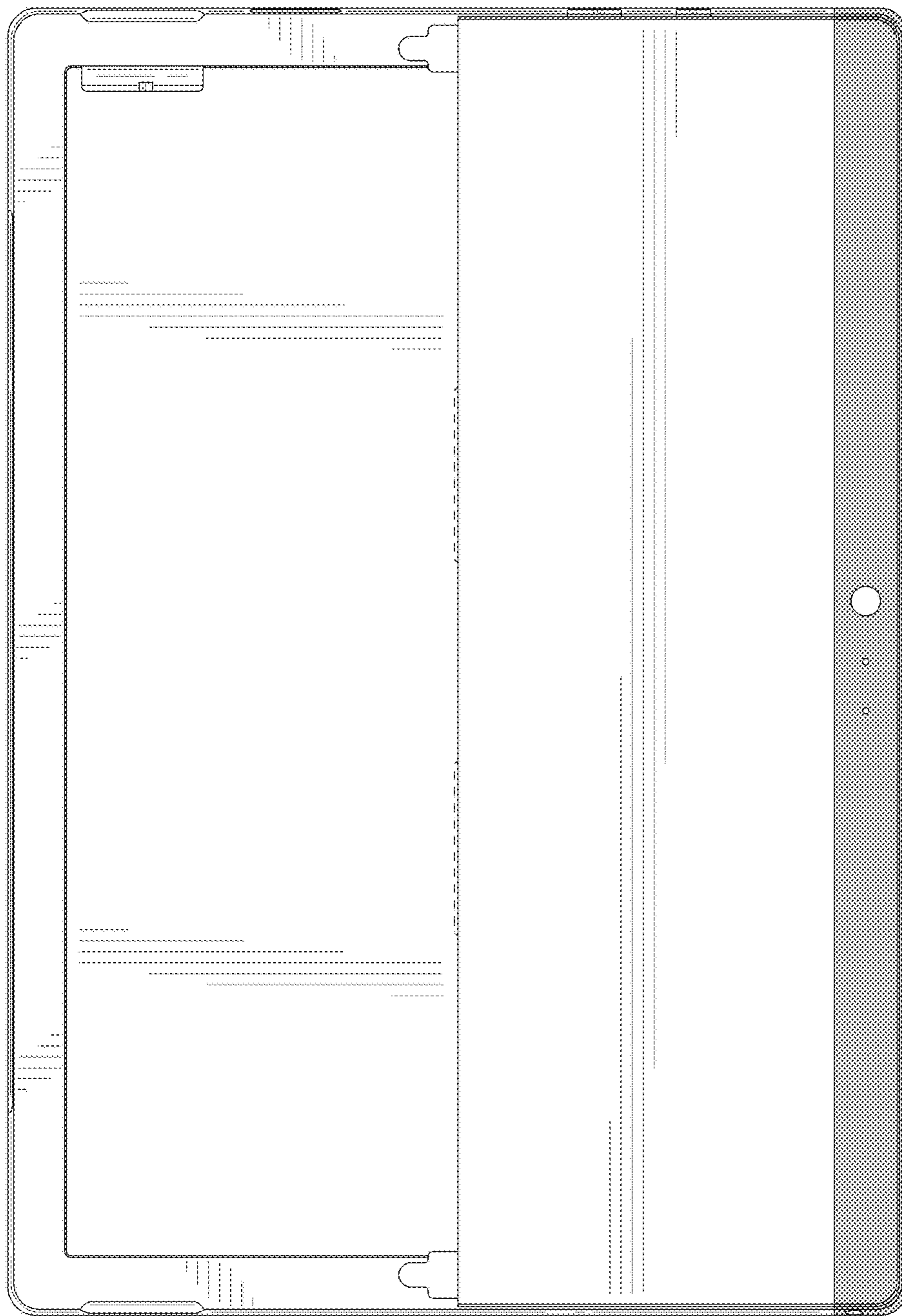


FIG. 14

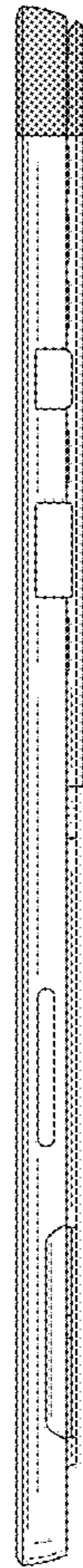


FIG. 15

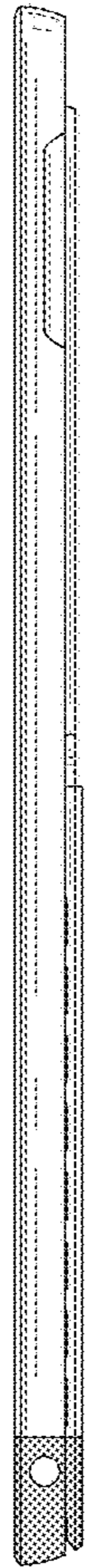


FIG. 16

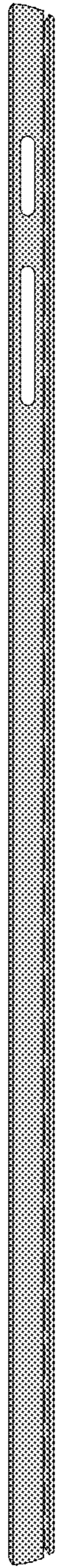


FIG. 17

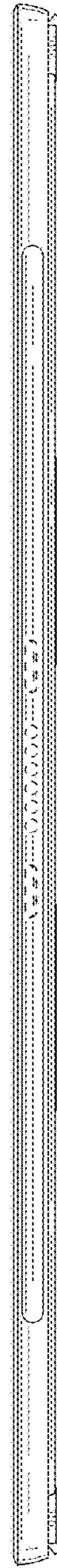


FIG. 18