



US00D847817S

(12) **United States Design Patent**
Cheng

(10) **Patent No.:** **US D847,817 S**

(45) **Date of Patent:** **** May 7, 2019**

(54) **TABLET CASE**

(71) Applicant: **Li Cheng**, Shenzhen (CN)

(72) Inventor: **Li Cheng**, Shenzhen (CN)

(**) Term: **15 Years**

(21) Appl. No.: **29/623,724**

(22) Filed: **Oct. 26, 2017**

(51) **LOC (11) Cl.** **14-02**

(52) **U.S. Cl.**
USPC **D14/440**

(58) **Field of Classification Search**
USPC D14/440; 206/45.23, 320, 45.2;
361/679.55; 294/25; 224/218
CPC ... G06F 1/1628; G06F 1/1626; A47B 23/044;
H04B 1/3888; H05K 5/0217
See application file for complete search history.

(56) **References Cited**

U.S. PATENT DOCUMENTS

D733,154 S * 6/2015 Armstrong D14/440
D763,853 S * 8/2016 Pearce D14/440
D790,550 S * 6/2017 Chen D14/440
D803,221 S * 11/2017 Guo D14/440

D806,080 S * 12/2017 Chen D14/440
D807,369 S * 1/2018 Chen D14/440
D808,973 S * 1/2018 Chen D14/440
D811,412 S * 2/2018 McCurdy D14/440
D812,620 S * 3/2018 Cheng D14/440
2012/0075799 A1* 3/2012 Pollex F16M 11/041
361/679.56

* cited by examiner

Primary Examiner — Cynthia R Underwood
(74) *Attorney, Agent, or Firm* — Jiangip LLC; Yanling Jiang

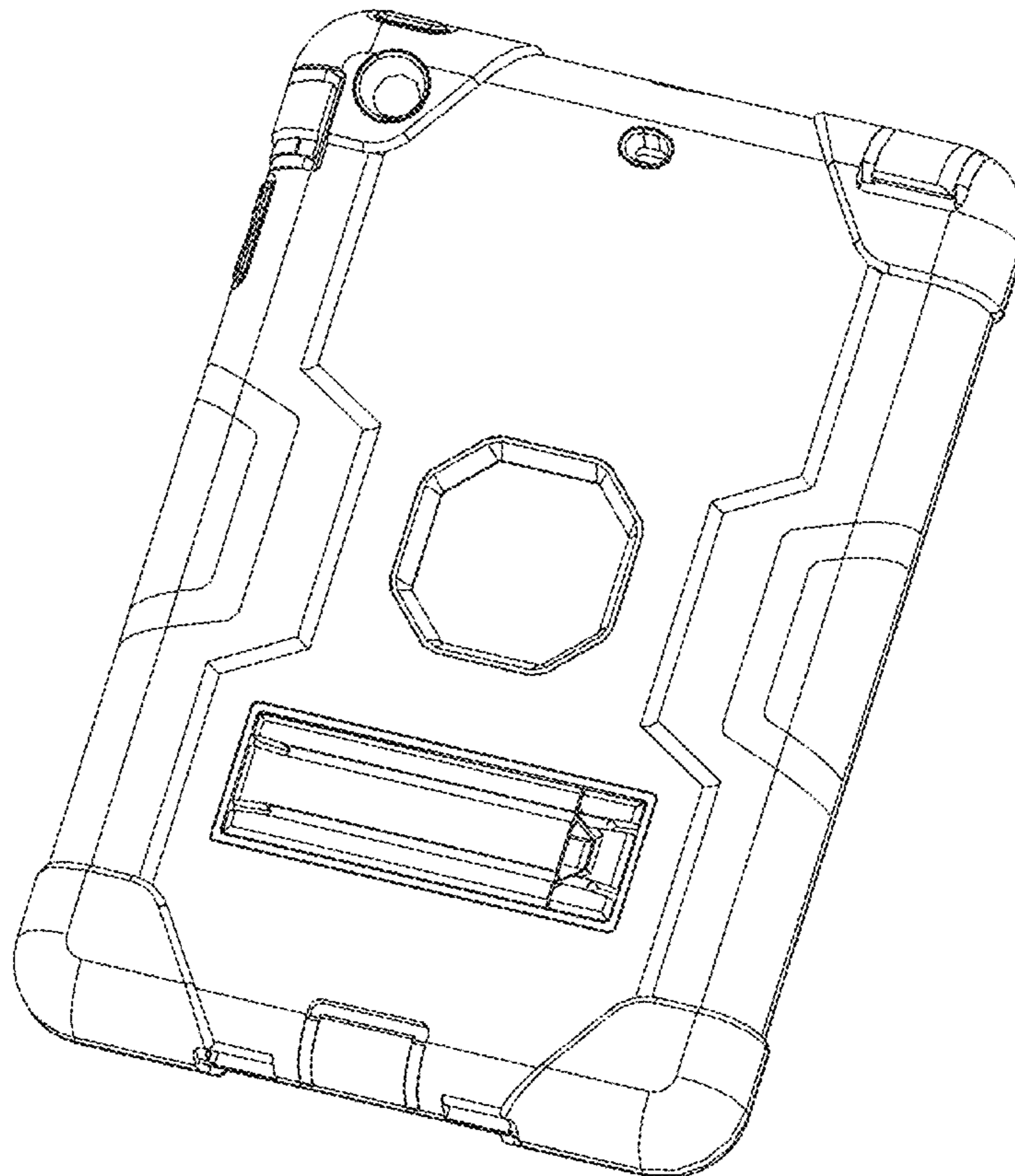
(57) **CLAIM**

The ornamental design for a tablet case, as shown and described.

DESCRIPTION

FIG. 1 is a perspective view showing a tablet case.
FIG. 2 is a front view of a tablet case.
FIG. 3 is a rear view of a tablet case.
FIG. 4 is a top view of a tablet case.
FIG. 5 is a bottom view of a tablet case.
FIG. 6 is a side view of a tablet case; and,
FIG. 7 is a side view of a tablet case.
The broken lines showing portions of the tablet case form no part of the claimed design.

1 Claim, 7 Drawing Sheets



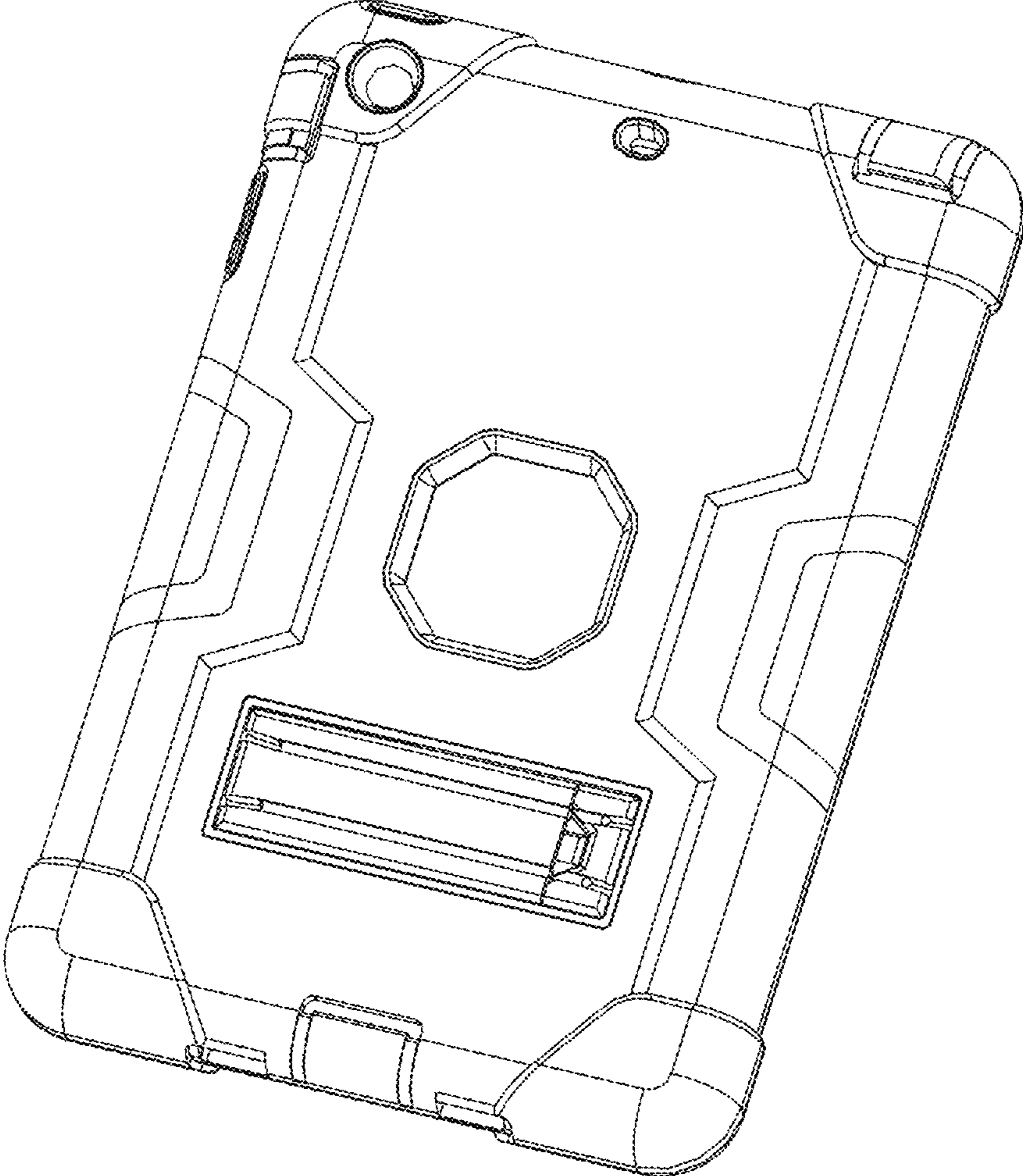


Fig. 1

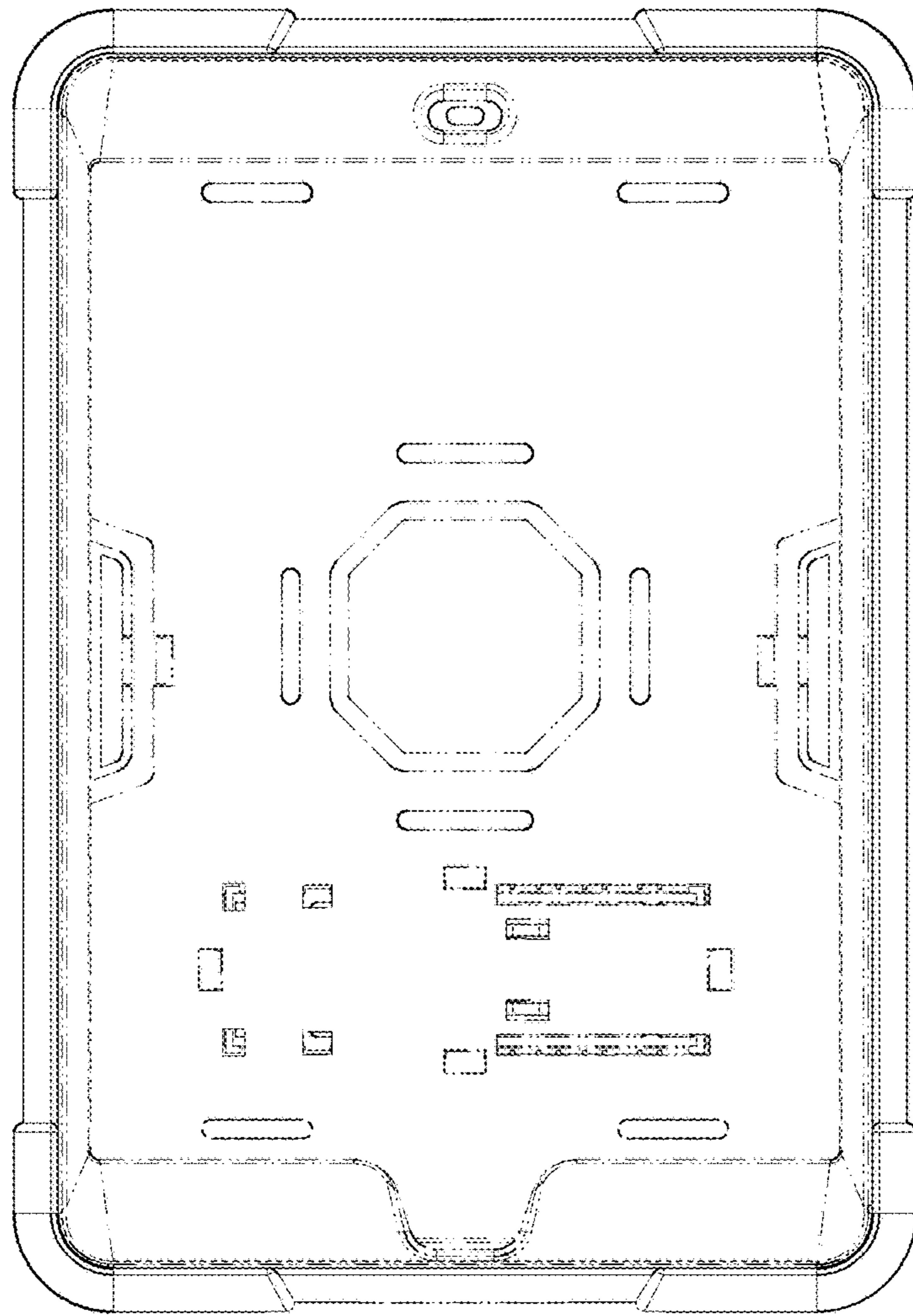


Fig. 2

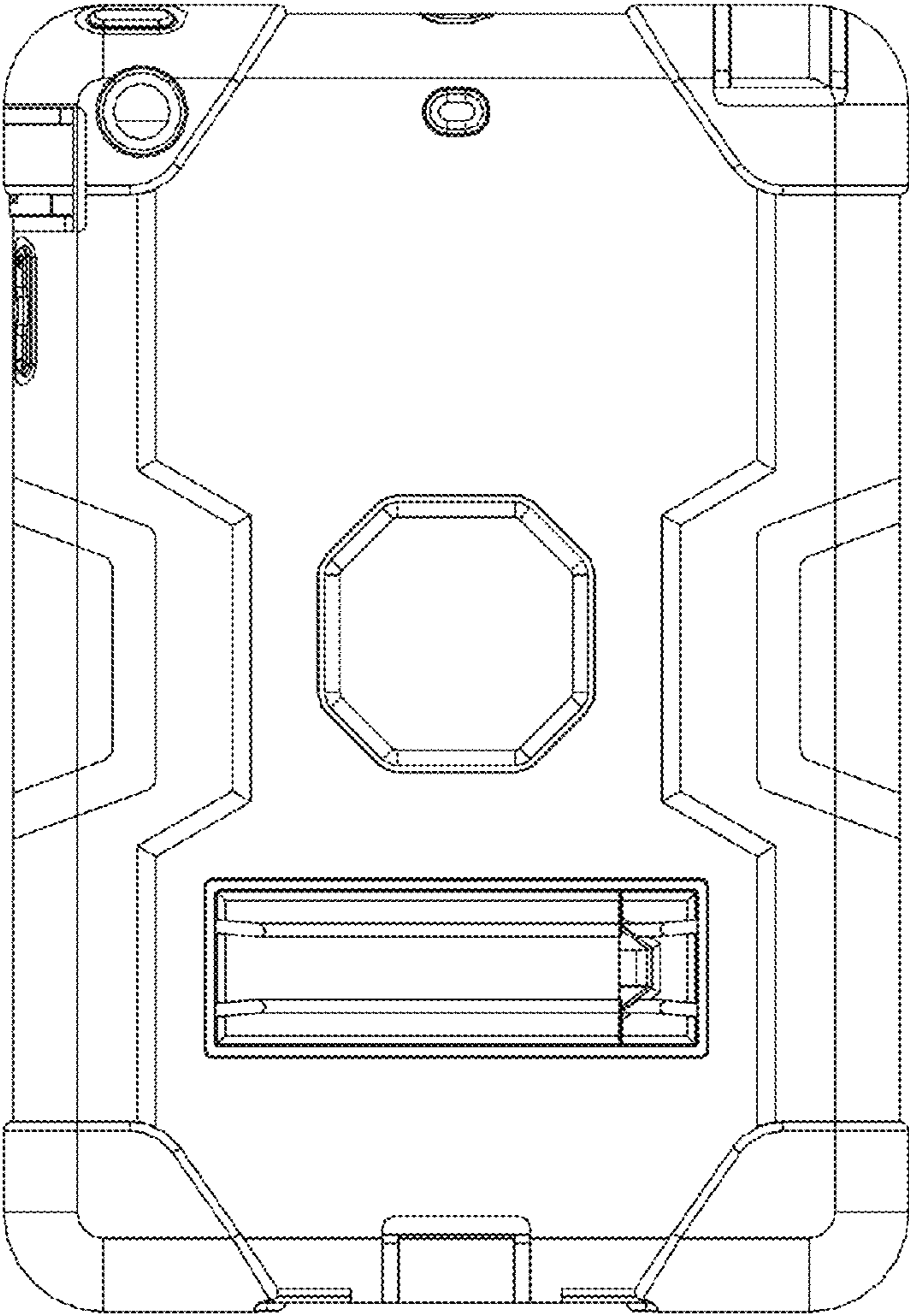


Fig. 3

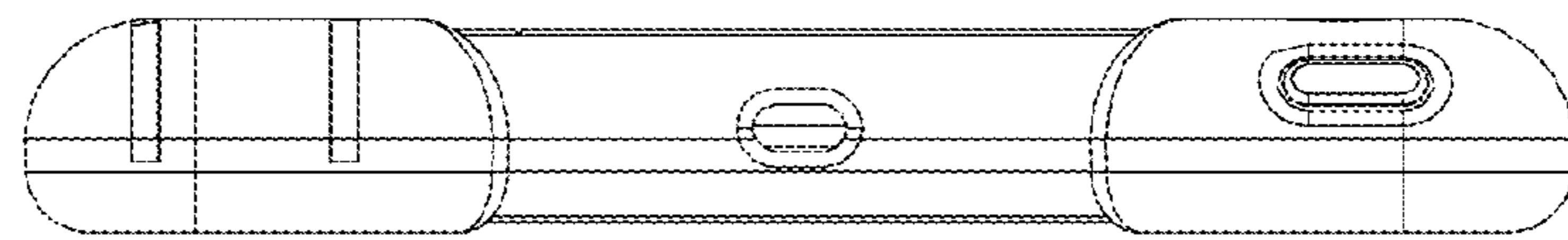


Fig. 4

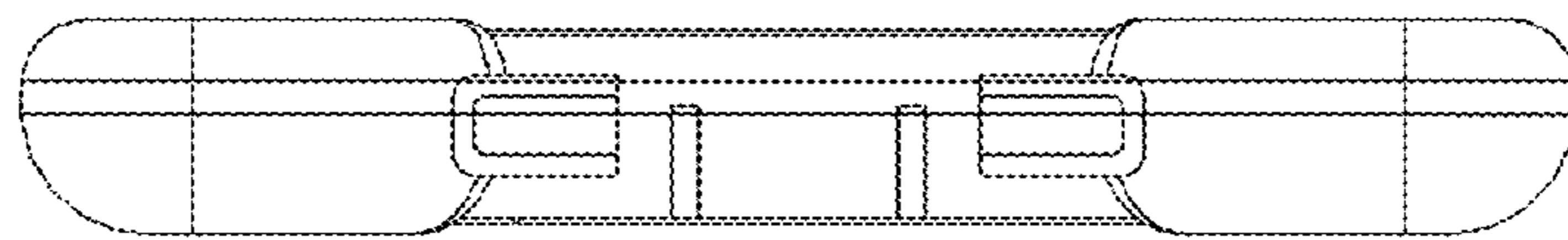


Fig. 5

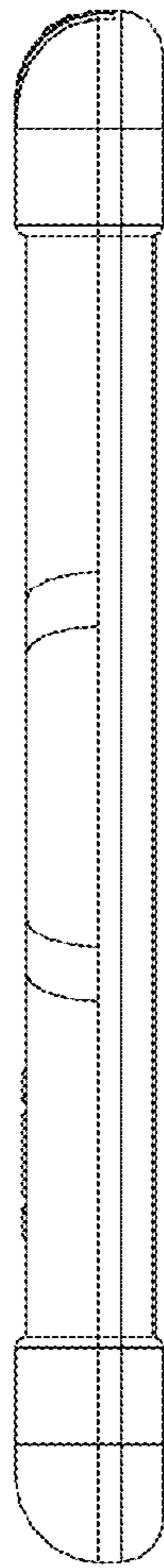


Fig. 6

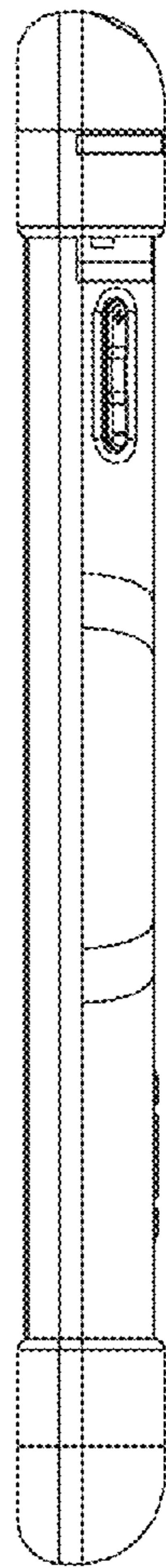


Fig. 7