



US00D847812S

(12) **United States Design Patent** (10) **Patent No.:** **US D847,812 S**
Shim (45) **Date of Patent:** **** May 7, 2019**

(54) **SSD STORAGE DEVICE**
(71) Applicant: **SAMSUNG ELECTRONICS CO., LTD.**, Suwon-si (KR)
(72) Inventor: **Shady Shim**, Seoul (KR)
(73) Assignee: **SAMSUNG ELECTRONICS CO., LTD.**, Suwon-si (KR)
(**) Term: **15 Years**

D460,443 S * 7/2002 Brunner D14/240
D463,991 S * 10/2002 Curry D10/104.1
D468,224 S * 1/2003 Kainuma D10/104.1
D484,879 S * 1/2004 Jones D14/358
D487,470 S * 3/2004 Cobigo D10/104.1
D521,001 S * 5/2006 Xiao D14/356
D524,310 S * 7/2006 Kent D13/147
D524,665 S * 7/2006 Taisto D10/65
D558,785 S * 1/2008 Kofford D14/496
D561,159 S * 2/2008 Heng D14/138 AB
D577,721 S * 9/2008 O'Neil D14/358
D586,793 S * 2/2009 Lee D14/240
D596,636 S * 7/2009 Kim D14/363

(Continued)

(21) Appl. No.: **29/628,078**

(22) Filed: **Dec. 1, 2017**

(30) **Foreign Application Priority Data**

Jun. 1, 2017 (KR) 30-2017-0025015

(51) **LOC (11) Cl.** **14-02**

(52) **U.S. Cl.**
USPC **D14/356; D14/348**

(58) **Field of Classification Search**

USPC D14/300-302, 314, 348-370, 383-385,
D14/435, 496, 125, 135, 155, 240-242,
D14/299, 474, 480, 203.1, 203.3, 203.4,
D14/432, 433, 436, 440, 250, 498, 500,
D14/502, 217, 218; D13/103, 107, 108,
D13/110, 119, 158, 162, 184, 199, 168;
D3/276, 294; D10/46, 49, 75, 104.1
CPC ... G11B 33/027; G11B 33/122; G11B 33/124;
G11B 33/00; G11B 33/02; G11B 33/022;
G11B 33/025; H05K 5/00; H05K 5/0213;
H05K 7/00; H05K 7/1427

See application file for complete search history.

(56) **References Cited**

U.S. PATENT DOCUMENTS

D318,565 S * 7/1991 Kearney D3/294
D409,510 S * 5/1999 McDonald D10/104.1

FOREIGN PATENT DOCUMENTS

EM 001014989-0006 10/2008
KR 30-0612241 S 9/2011

(Continued)

Primary Examiner — Marie D. Fast Horse

(74) *Attorney, Agent, or Firm* — Sughrue Mion, PLLC

(57) **CLAIM**

The ornamental design for a SSD storage device, as shown and described.

DESCRIPTION

FIG. 1 is a perspective view of SSD storage device showing our new design;

FIG. 2 is a front elevation view thereof;

FIG. 3 is a rear elevation view thereof;

FIG. 4 is a left side elevation view thereof;

FIG. 5 is a right side elevation view thereof;

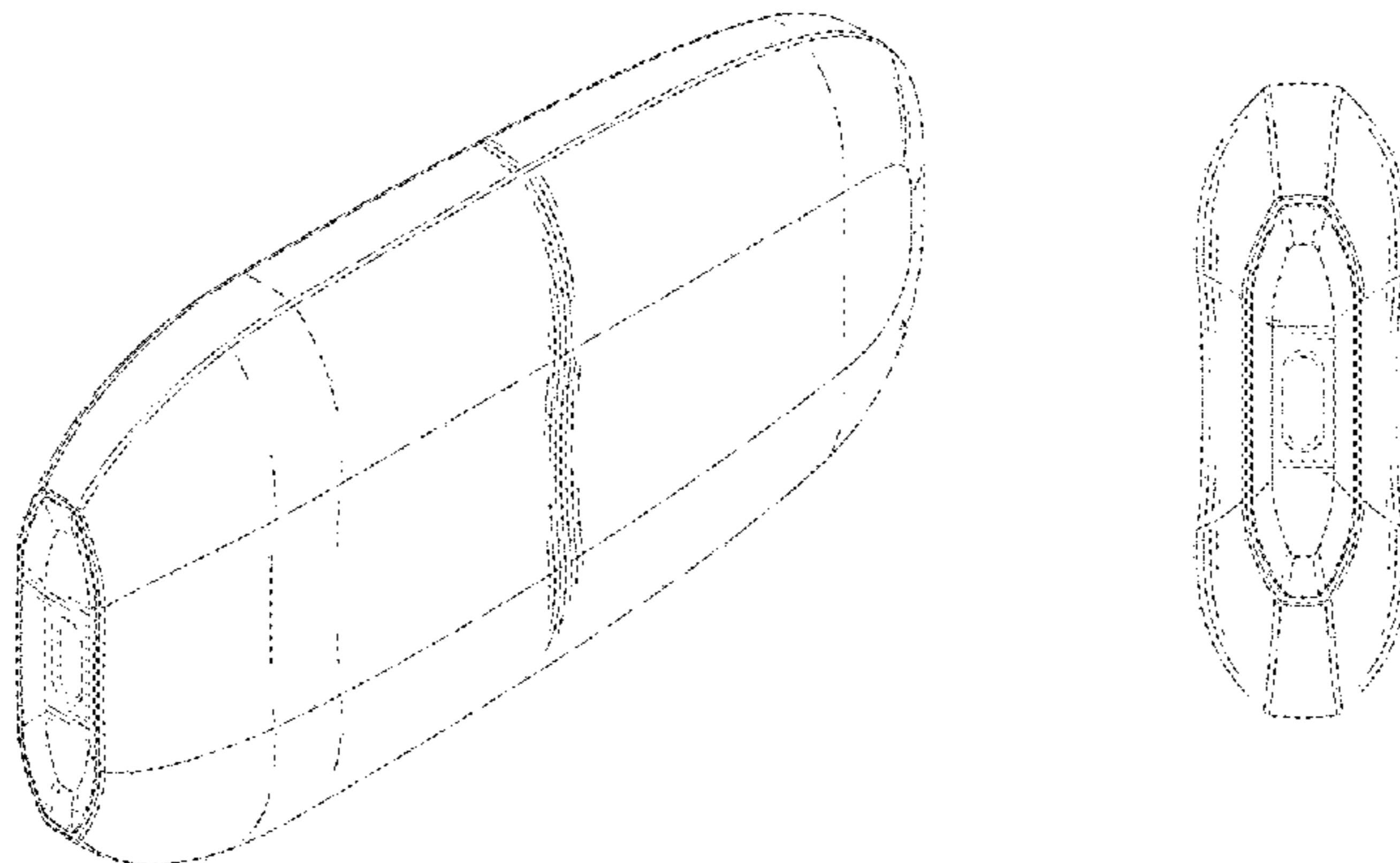
FIG. 6 is a top plan view thereof; and,

FIG. 7 is a bottom plan view thereof.

The rear of the SSD storage device is a mirror image of the front.

The broken lines in the drawings depict a portion of the SSD storage device that forms no part of the claimed design.

1 Claim, 4 Drawing Sheets



(56)

References Cited

U.S. PATENT DOCUMENTS

D619,545 S * 7/2010 Chiu D13/168
 D625,719 S * 10/2010 Carroll D14/356
 D626,952 S * 11/2010 Ding D14/242
 D632,290 S * 2/2011 Jeon D14/356
 D641,363 S * 7/2011 Dublin D14/356
 D652,617 S * 1/2012 Chen D3/203.3
 D661,691 S * 6/2012 Weitgasser D14/218
 D673,564 S * 1/2013 Milliff D14/358
 D682,196 S * 5/2013 Leung D13/103
 D682,197 S * 5/2013 Leung D13/103
 8,462,460 B1 * 6/2013 Szeremeta G11B 33/124
 360/97.19
 D710,315 S * 8/2014 Tsai D13/168
 D726,129 S * 4/2015 Chin D13/168
 D727,257 S * 4/2015 Miller D13/103
 D727,846 S * 4/2015 Wen D13/110
 D729,239 S * 5/2015 Fukuoka D14/348
 D731,793 S * 6/2015 Houghton D3/294
 D735,700 S * 8/2015 Davis D14/240

D760,223 S * 6/2016 Peng D14/363
 D777,592 S * 1/2017 Benoit D10/104.1
 D782,985 S * 4/2017 Mishan D13/168
 D812,622 S * 3/2018 Moon D14/440
 D819,022 S * 5/2018 Shim D14/348
 D819,023 S * 5/2018 Shim D14/348
 D819,024 S * 5/2018 Jun D14/348
 D823,242 S * 7/2018 Jun D13/103
 D824,867 S * 8/2018 Kim D14/125
 D826,916 S * 8/2018 Cho D14/240
 D828,295 S * 9/2018 Li D13/108
 D831,657 S * 10/2018 Shim D14/348
 2004/0224717 A1 * 11/2004 Hertzberg H04M 1/22
 455/550.1

FOREIGN PATENT DOCUMENTS

KR 30-0624466 S 12/2011
 KR 30-0747888 S 6/2014
 KR 30-0868534 S 8/2016

* cited by examiner

FIG. 1

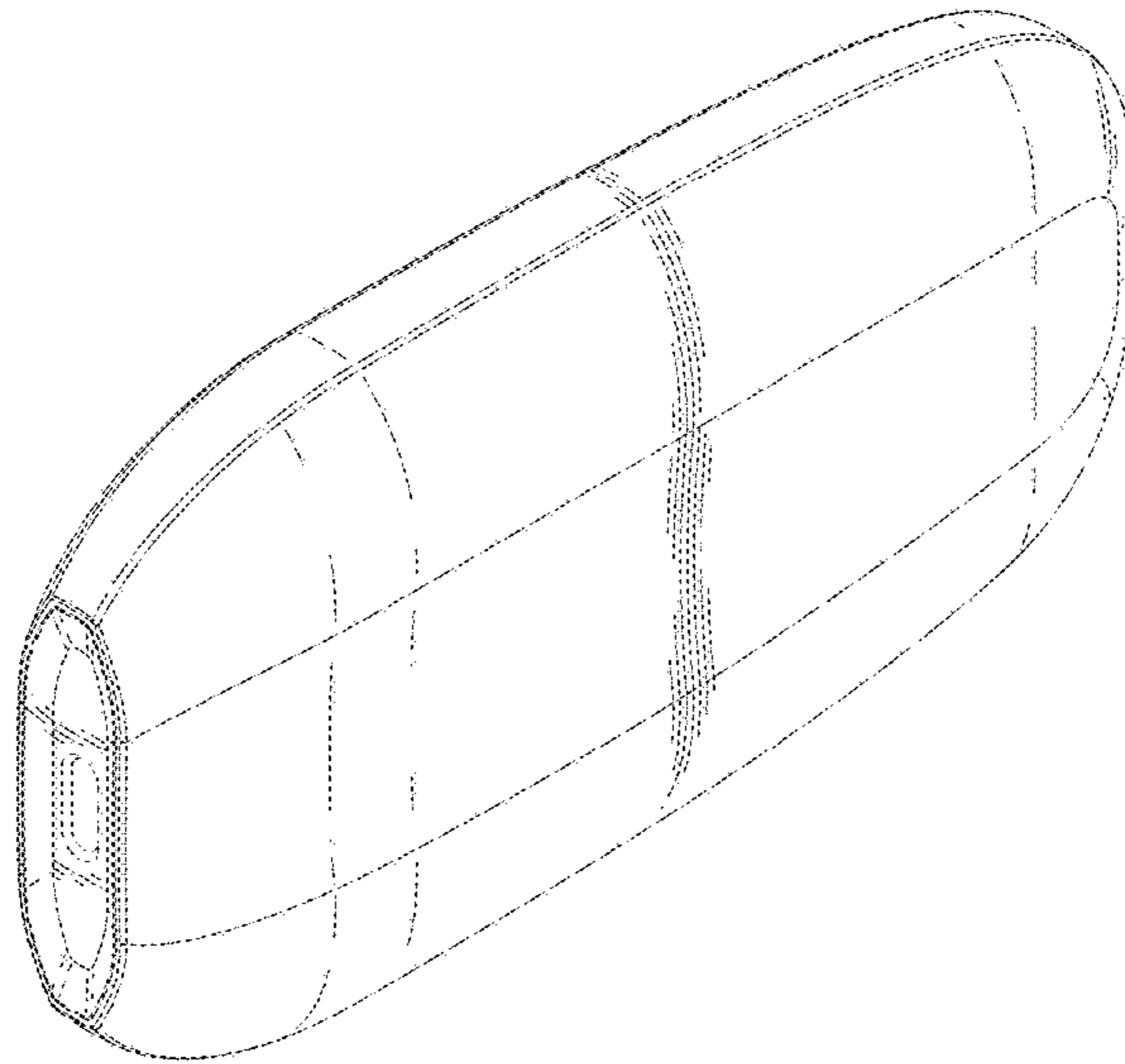


FIG. 2

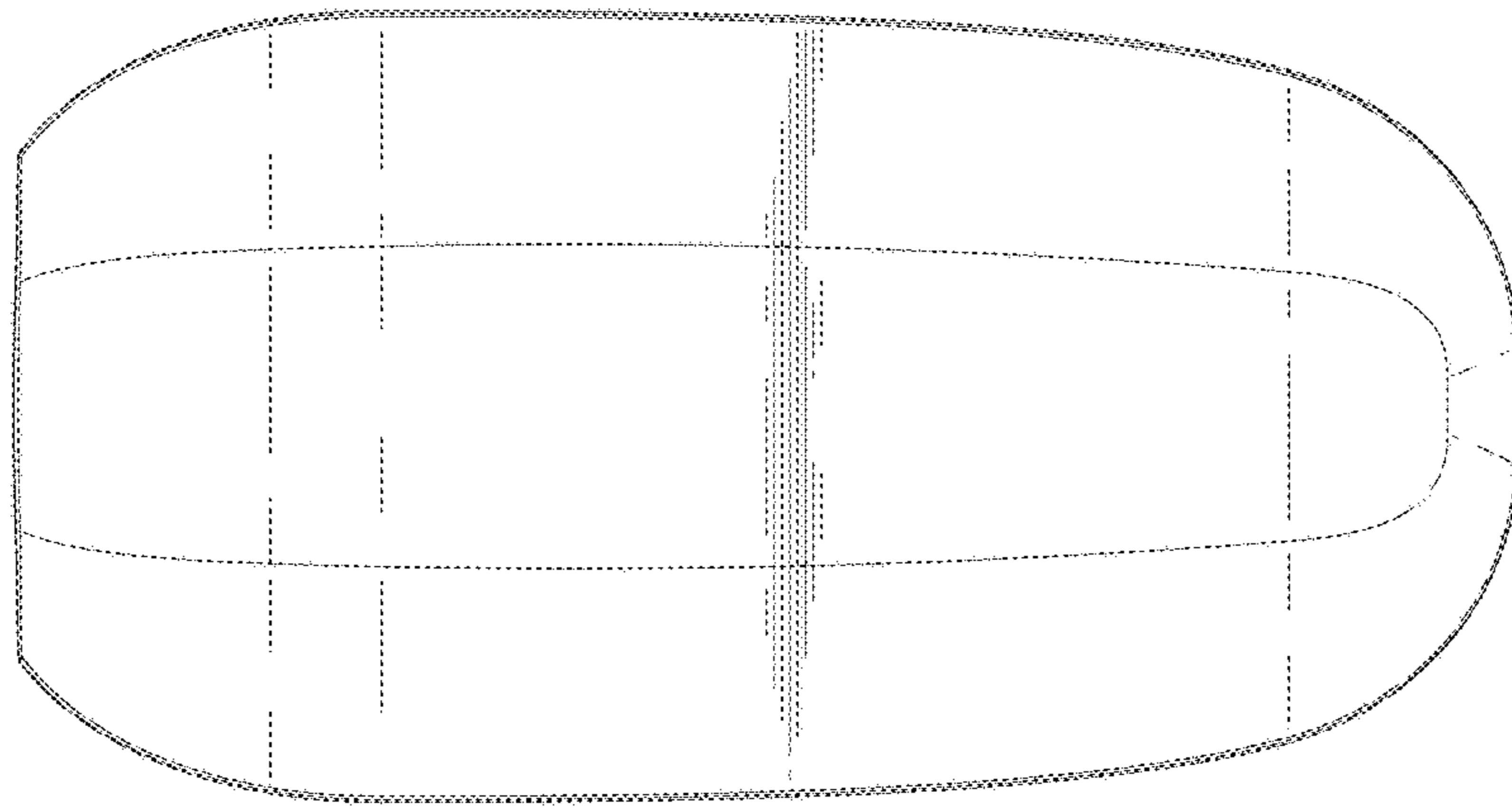


FIG. 3

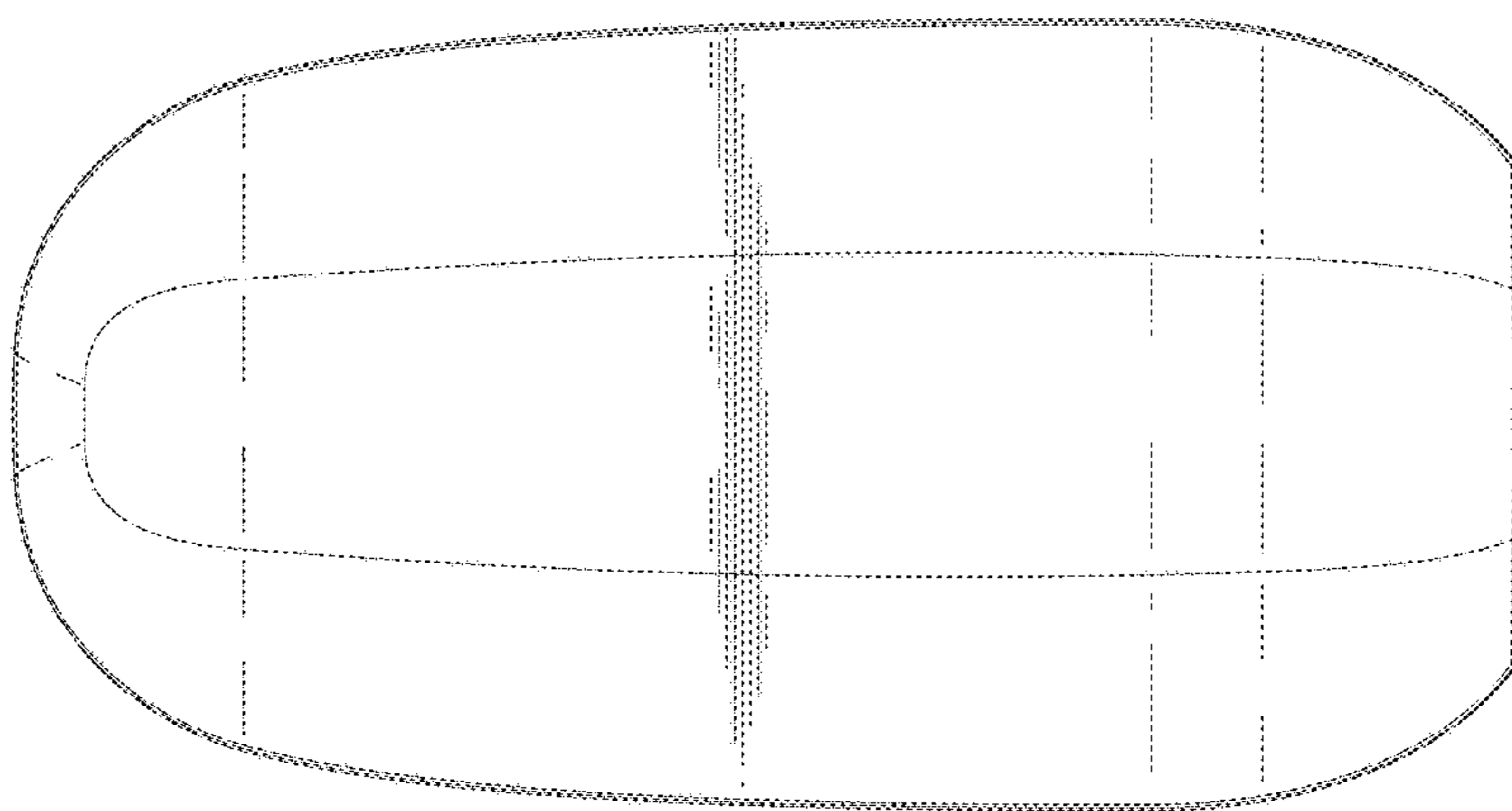


FIG. 4

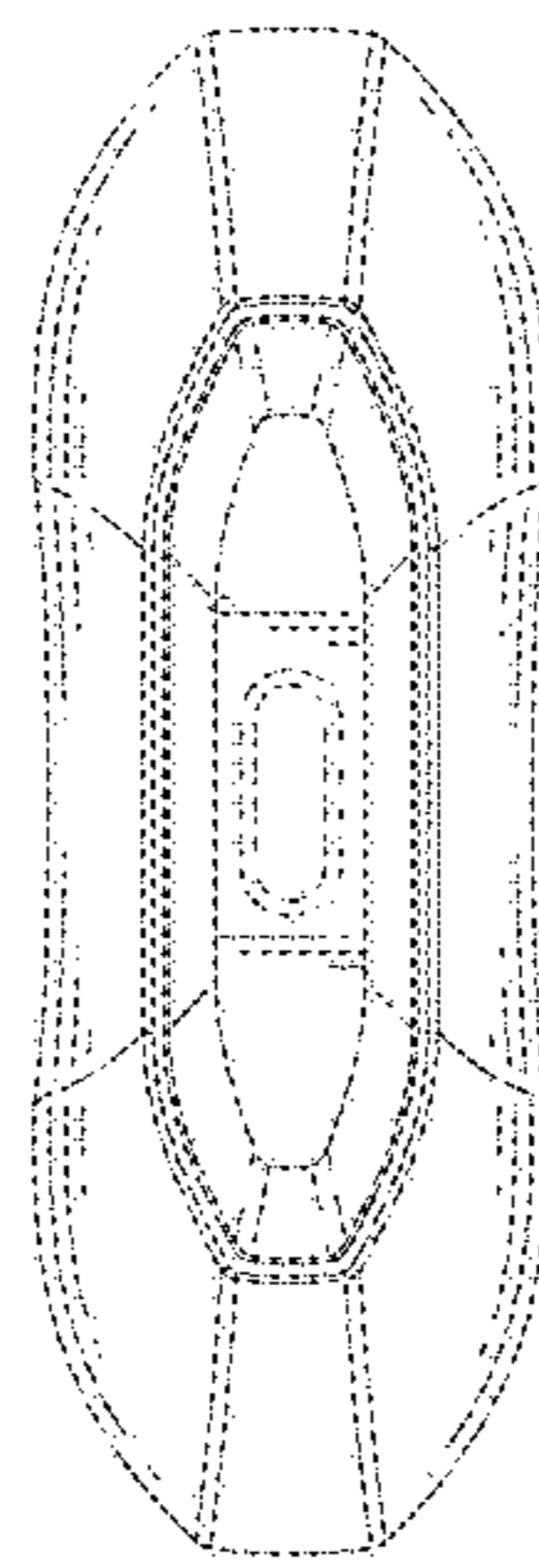


FIG. 5

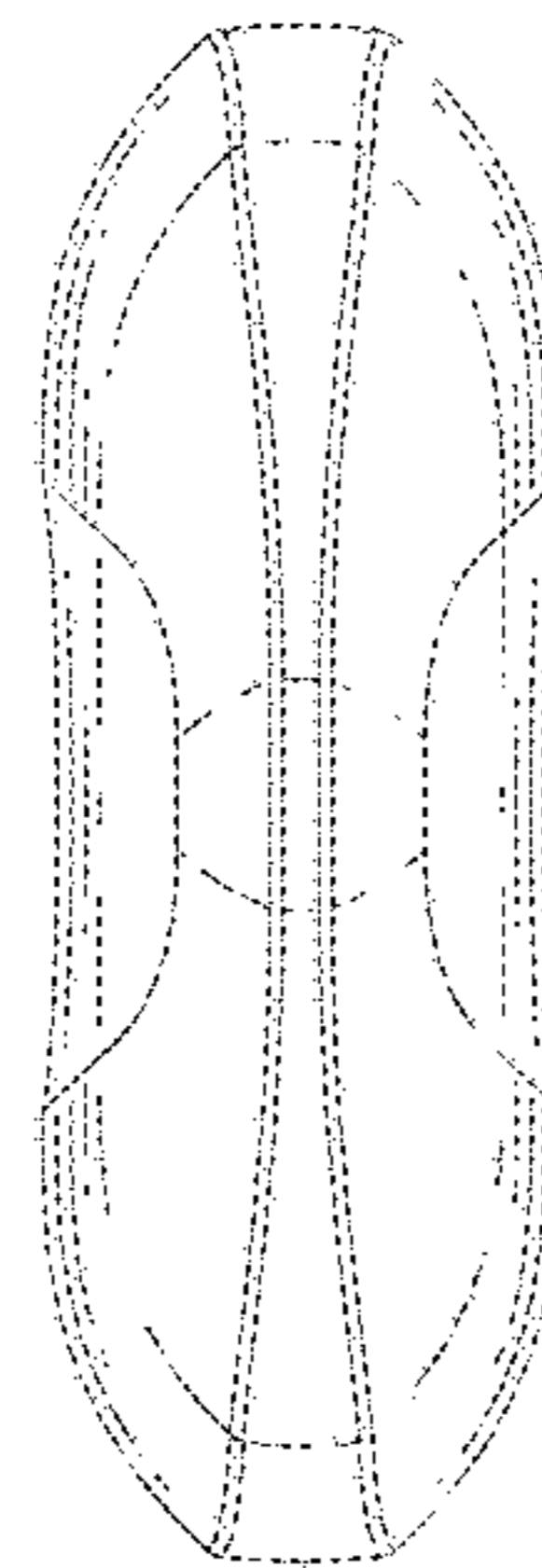


FIG. 6

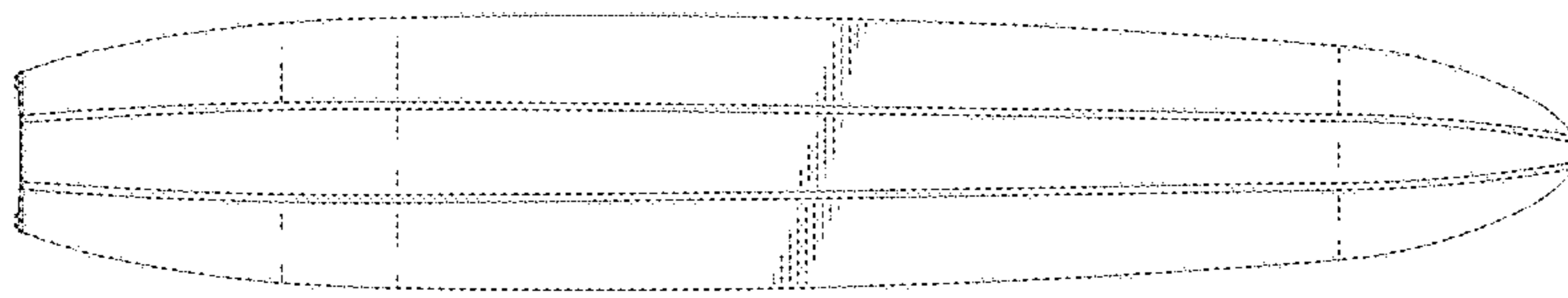


FIG. 7

