



US00D847808S

(12) **United States Design Patent** (10) **Patent No.:** **US D847,808 S**  
**Olsson** (45) **Date of Patent:** **\*\* May 7, 2019**

(54) **FOLDING VOCAL BOOTH**  
(71) Applicant: **COLLABSTOR AB**, Vaxjo (SE)  
(72) Inventor: **Philip Olsson**, Halmstad (SE)  
(73) Assignee: **Collabstor AB**, Växjö (SE)  
(\*\*) Term: **15 Years**

D740,784 S \* 10/2015 O'Polka ..... D14/204  
9,253,299 B2 \* 2/2016 Moser ..... H04R 1/225  
2008/0302599 A1 \* 12/2008 Zou ..... G10K 11/168  
181/290

(21) Appl. No.: **35/504,480**  
(22) Filed: **Jan. 18, 2018**

FOREIGN PATENT DOCUMENTS

CN 102797368 A 11/2012  
CN 103950513 A 7/2014  
SE 239225 C2 5/2017  
WO 2017/081169 A1 5/2017

(80) **Hague Agreement Data**  
Int. Filing Date: **Jan. 18, 2018**  
Int. Reg. No.: **DM/099733**  
Int. Reg. Date: **Jan. 18, 2018**  
Int. Reg. Pub. Date: **Feb. 23, 2018**

OTHER PUBLICATIONS

<https://www.youtube.com/watch?v=i-sXzf2c1K0> (Year: 2016).\*  
[https://www.youtube.com/watch?v=GjGTK\\_WLvN8](https://www.youtube.com/watch?v=GjGTK_WLvN8) (Year: 2015).\*  
<https://www.youtube.com/watch?v=CPNFyjKeOEw> (Year: 2016).\*

\* cited by examiner

*Primary Examiner* — Michael A. Pratt  
(74) *Attorney, Agent, or Firm* — Brundidge & Stanger, P.C.

(51) **LOC (11) Cl.** ..... **14-99**  
(52) **U.S. Cl.**  
USPC ..... **D14/299**  
(58) **Field of Classification Search**  
USPC ..... D25/234; D16/215; D99/28; D14/299,  
D14/226, 900-902; D6/335, 640, 642,  
D6/643, 643.1, 381  
CPC . A47B 83/001; A47B 2083/006; A47B 83/00;  
A47B 83/01; A47B 2083/025; E04H  
1/1222; E04H 1/125; E04B 1/34321;  
E04B 2002/7483; E04B 1/12; E04B  
1/348

(57) **CLAIM**

The ornamental design for a folding vocal booth, as shown and described.

See application file for complete search history.

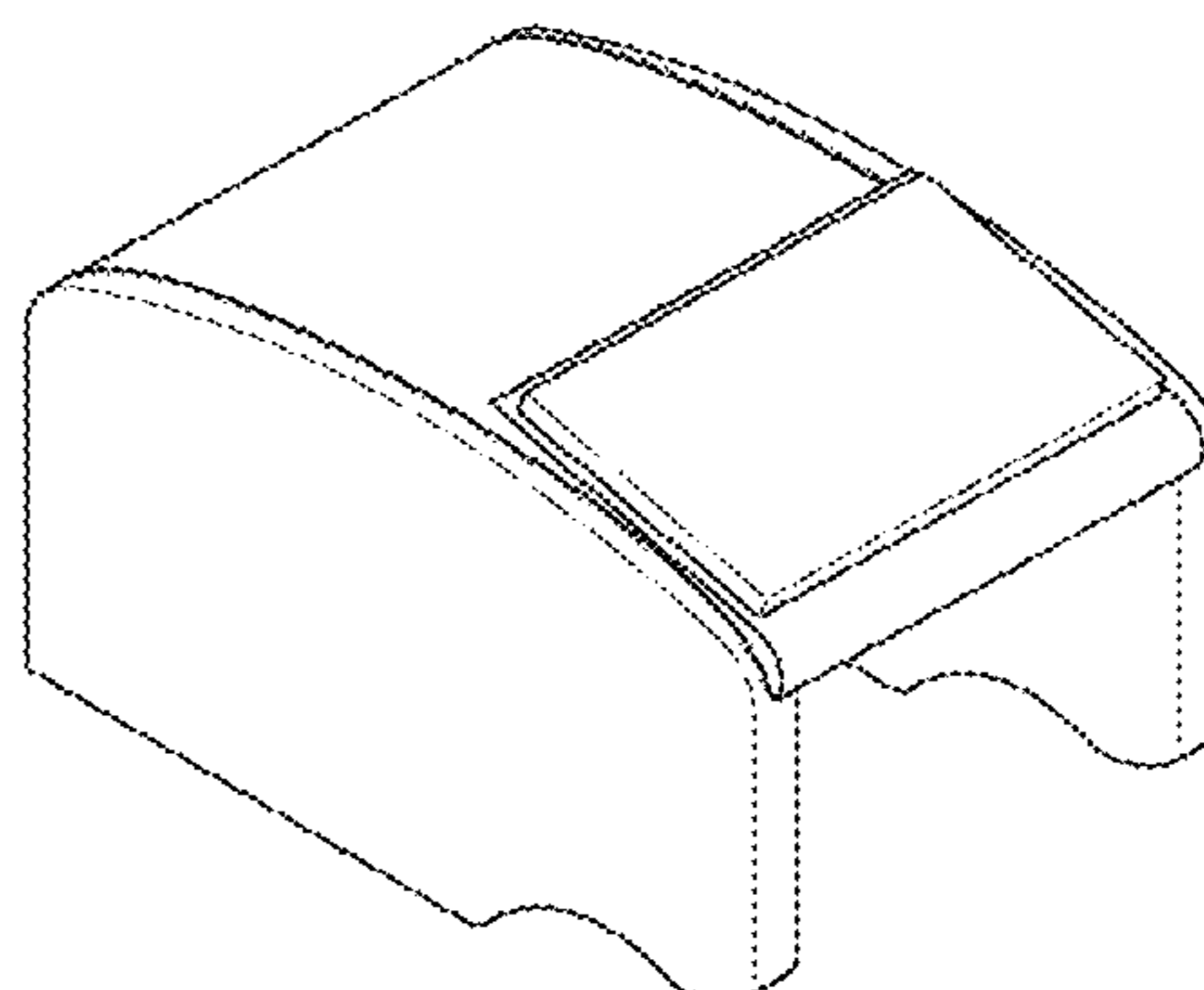
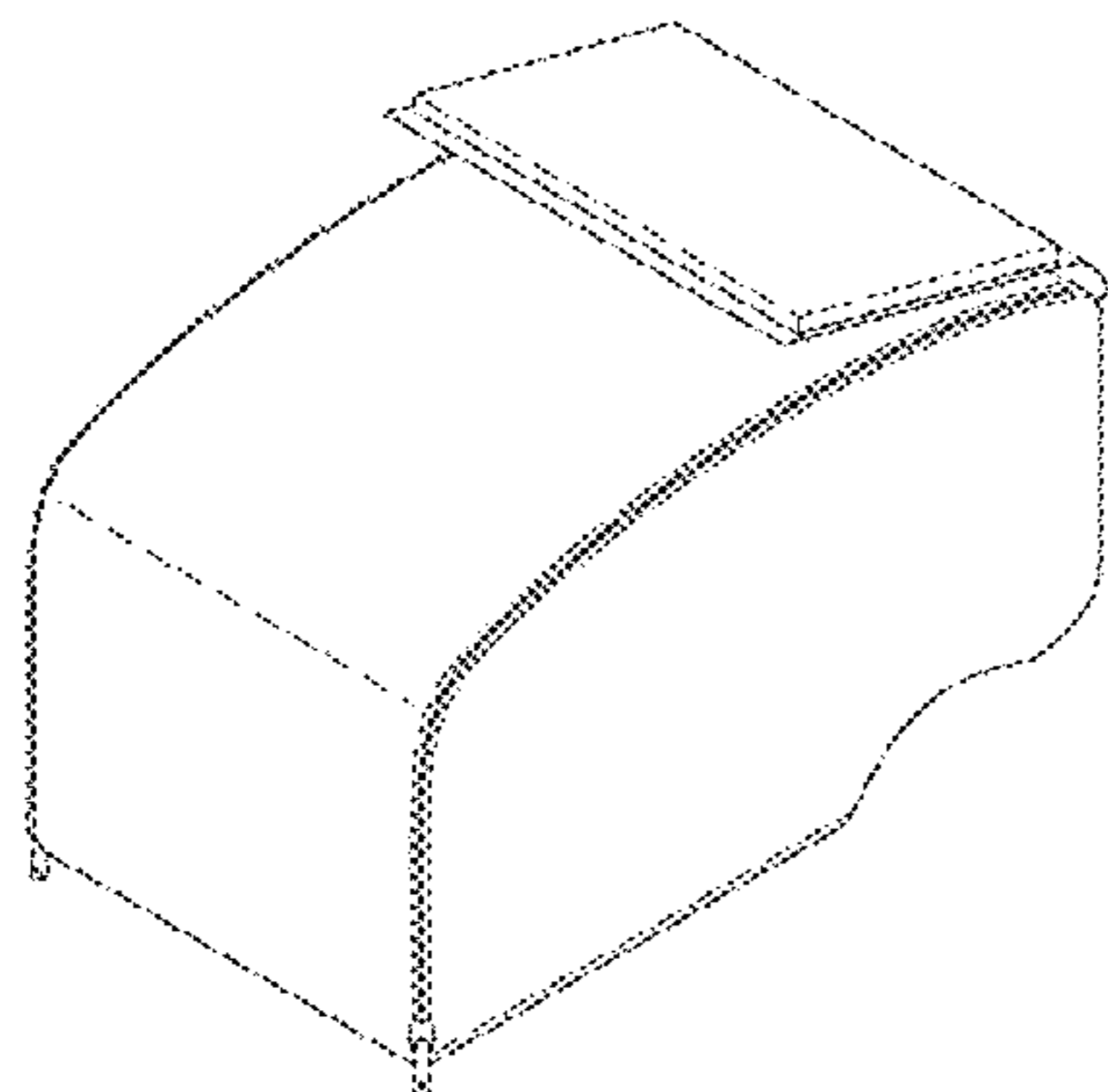
**DESCRIPTION**

1. Folding vocal booth  
Fig. 1.1 is a front perspective view of our new design for a folding vocal booth; fig. 1.2 is a rear perspective view thereof; fig. 1.3 is a bottom perspective view thereof; fig. 1.4 is a rear perspective view of bottom and side parts thereof during assembly by means of touch fasteners; fig. 1.5 is a rear perspective view of assembled bottom and side parts during attachment of a sound absorber by means of touch fasteners; fig. 1.6 is a rear perspective view of assembled bottom and side parts and an attached sounds absorber during attachment of a roof section by means of touch fasteners; and fig. 1.7 is a rear perspective view of assembled bottom and side parts, an attached sound absorber and an attached roof section before side parts are folded up towards

(Continued)

(56) **References Cited**  
U.S. PATENT DOCUMENTS

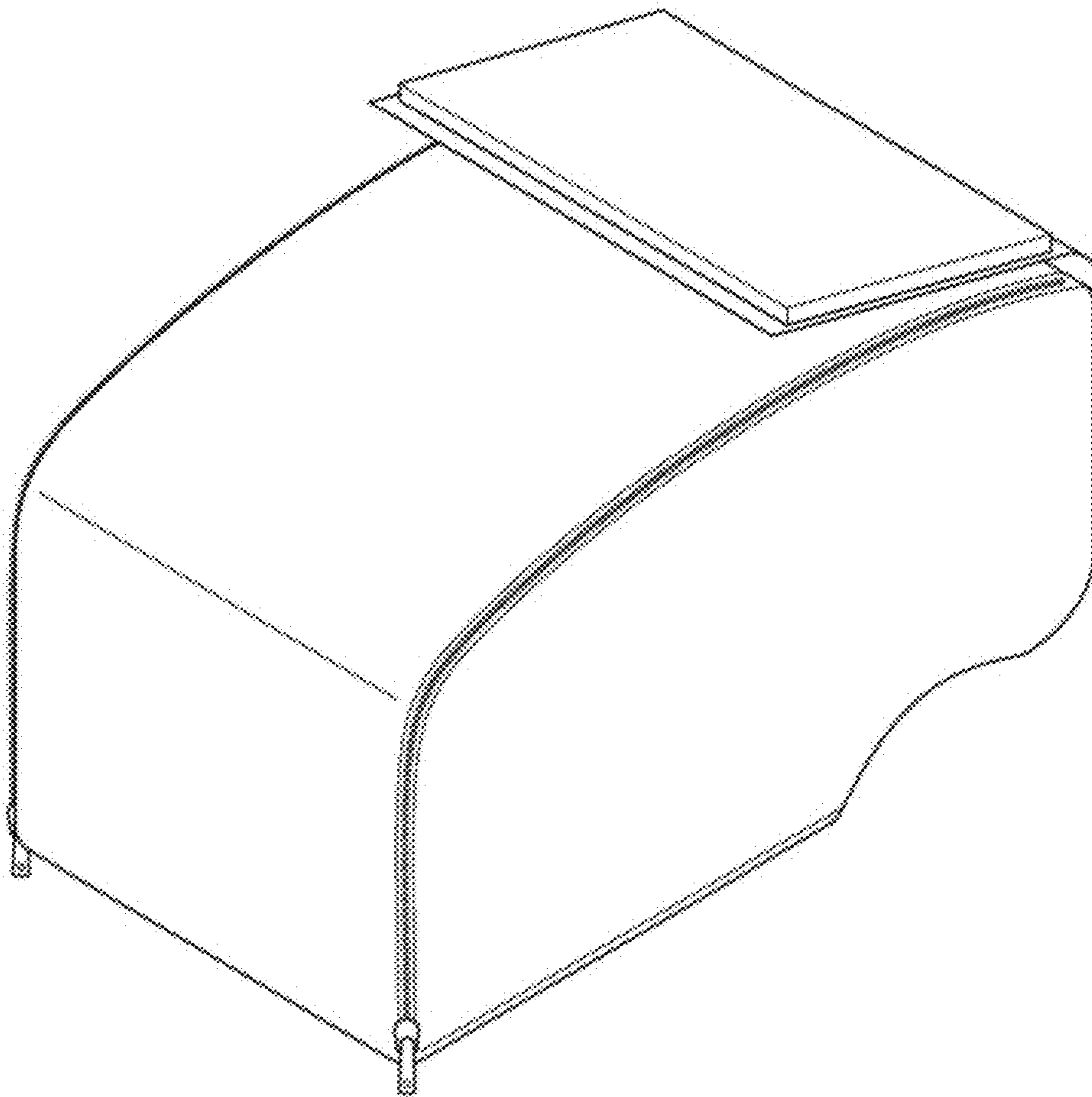
D144,256 S \* 3/1946 Phillips ..... D16/215  
3,244,816 A \* 4/1966 Karns ..... G09B 5/04  
181/198  
5,123,874 A \* 6/1992 White, III ..... E04B 1/34321  
181/290  
7,783,069 B1 8/2010 Miller



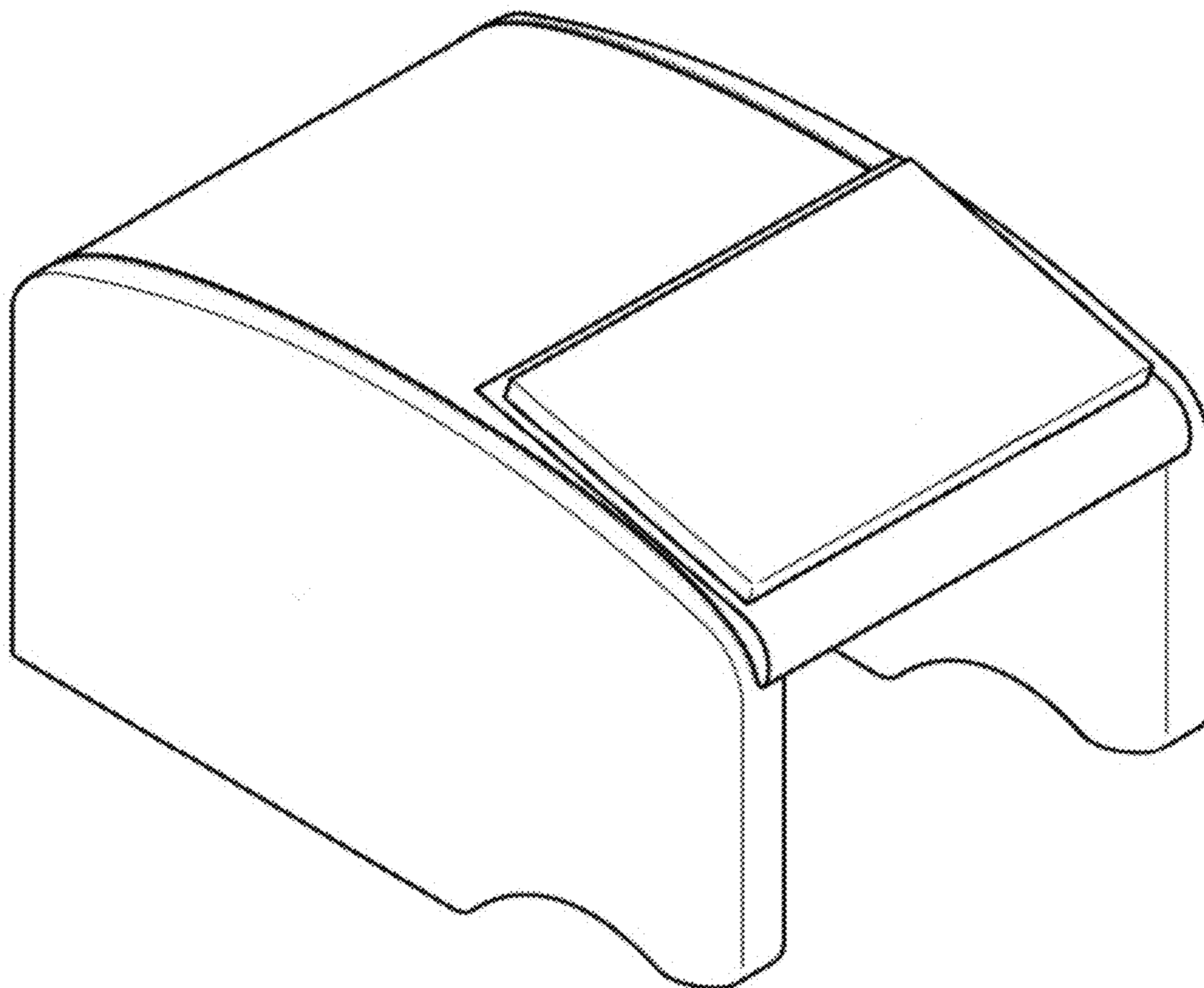
the roof section and attached thereto by means of zippers in order to form a folding vocal booth according to figs. 1.1 to 1.3.

**1 Claim, 7 Drawing Sheets**

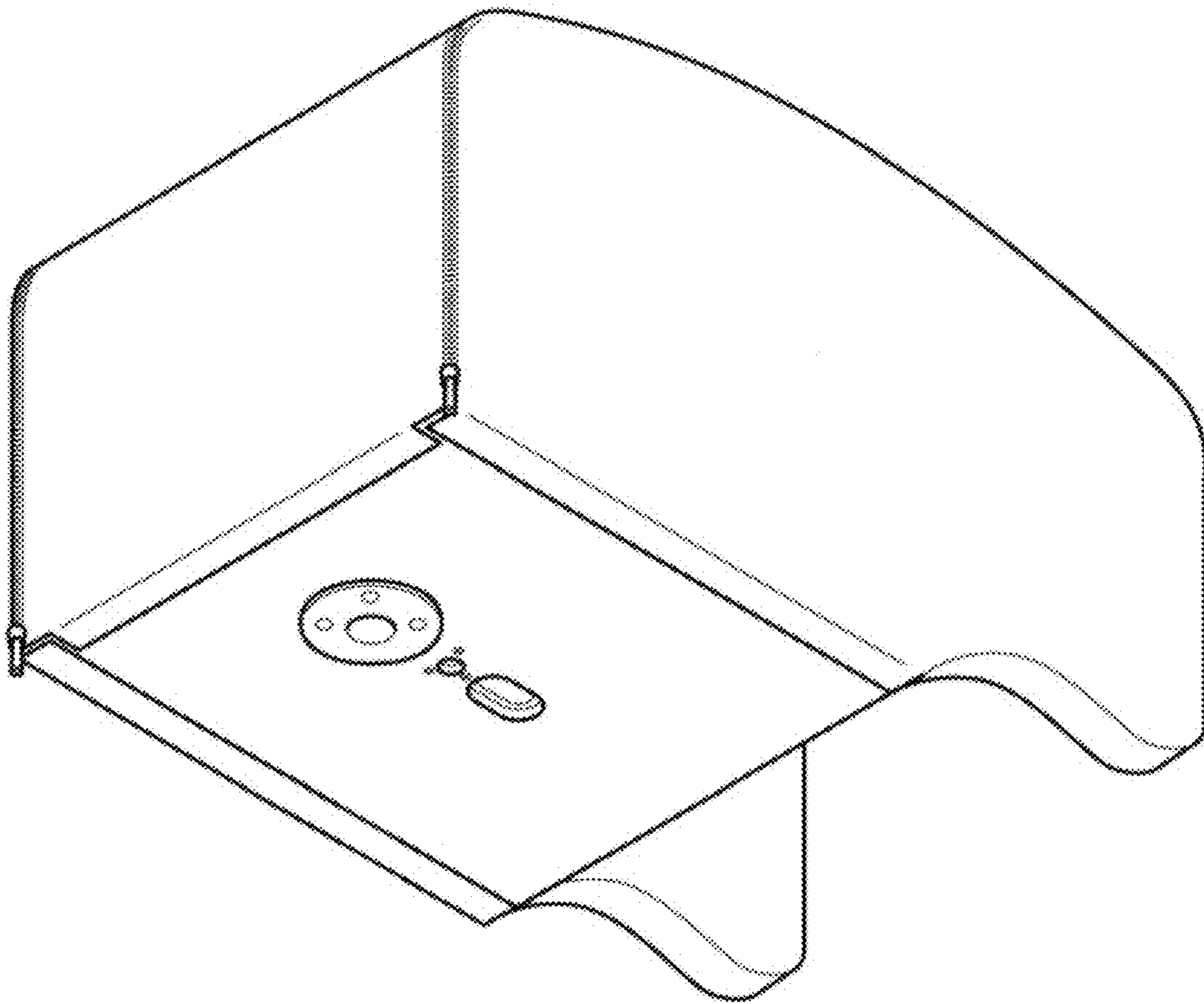
**1.1**



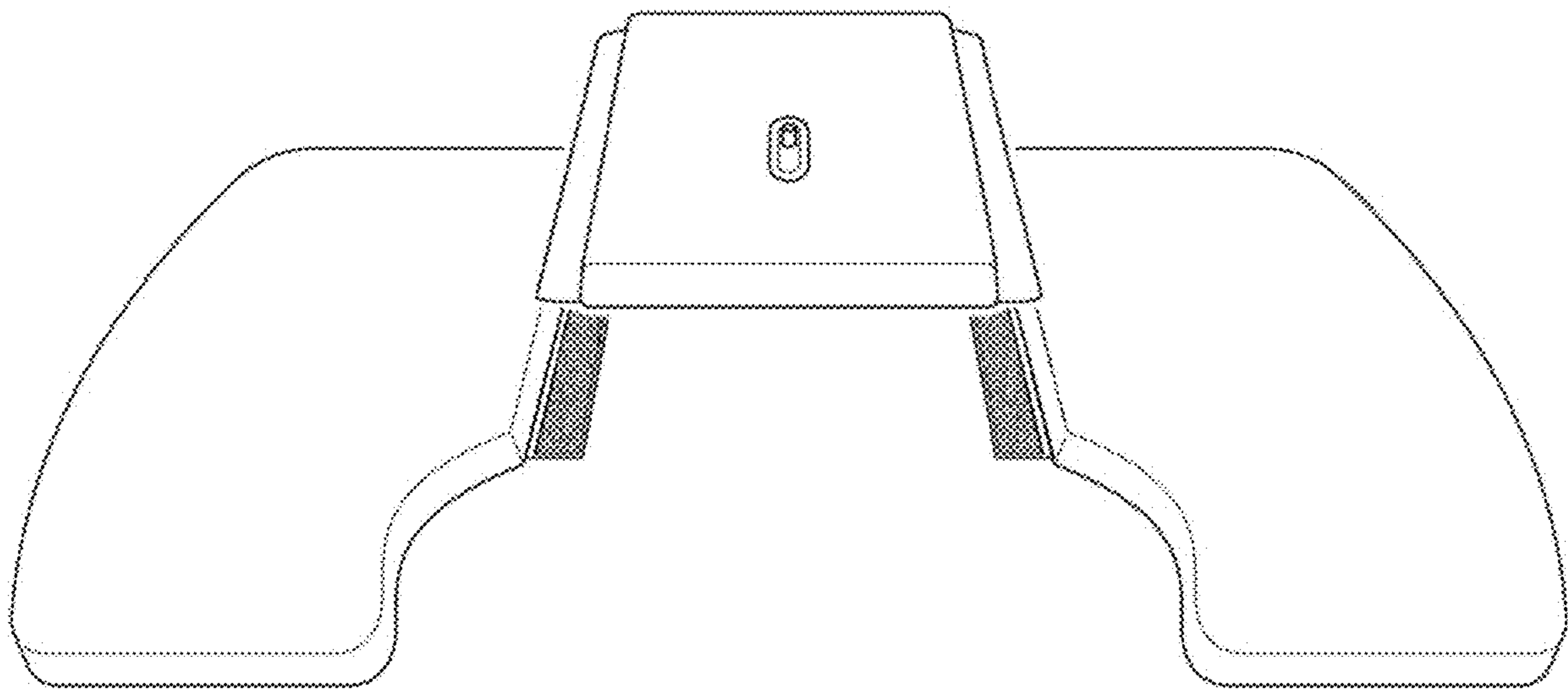
1.2



1.3

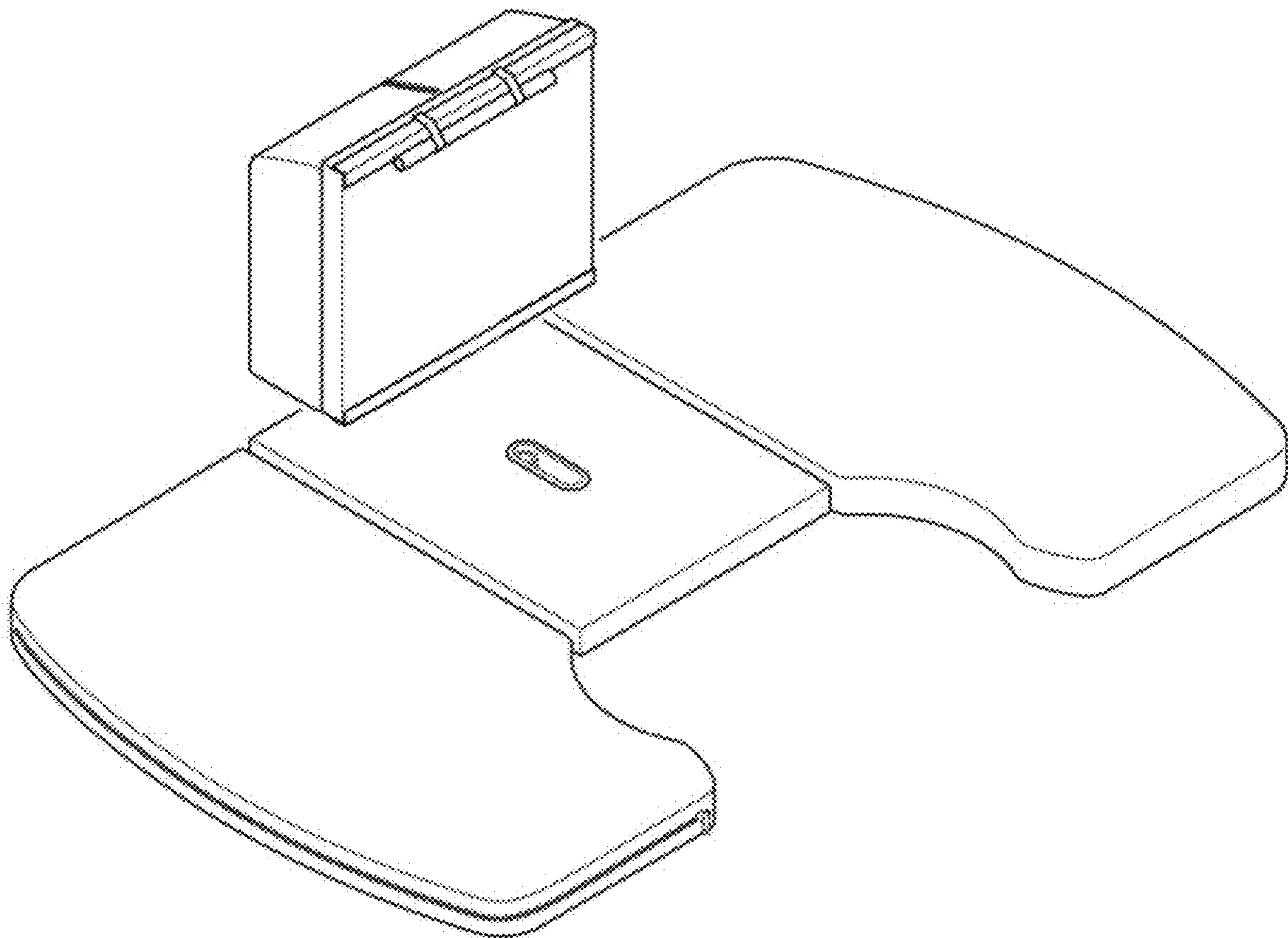


1.4

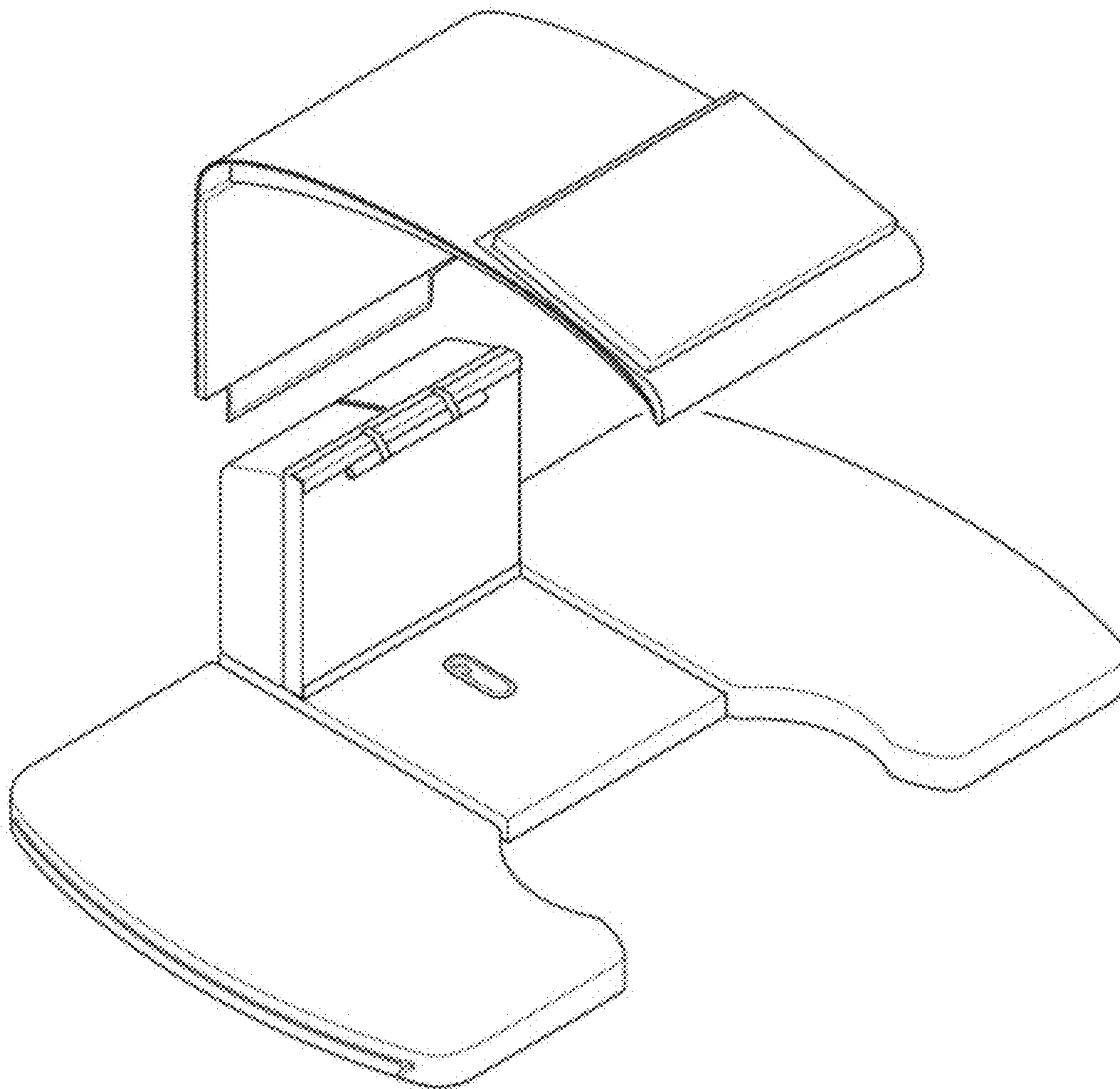




1.5



1.6





1.7

