



US00D847805S

(12) **United States Design Patent**
Lederer

(10) **Patent No.:** **US D847,805 S**
(45) **Date of Patent:** **** May 7, 2019**

(54) **MOBILE DEVICE POCKET WITH POP-UP STAND**

DESCRIPTION

(71) Applicant: **Prime Resources Corp.**, Bridgeport, CT (US)

(72) Inventor: **Jeffrey Lederer**, Greenwich, CT (US)

(73) Assignee: **BRODER BROS., CO.**, Trevese, PA (US)

(**) Term: **15 Years**

(21) Appl. No.: **29/615,790**

(22) Filed: **Aug. 31, 2017**

(51) **LOC (11) Cl.** **14-03**

(52) **U.S. Cl.**
USPC **D14/250**

(58) **Field of Classification Search**
USPC **D14/250**

(Continued)

(56) **References Cited**

U.S. PATENT DOCUMENTS

D403,152 S * 12/1998 Parad D3/247

D411,765 S * 7/1999 Holihan D3/201

(Continued)

OTHER PUBLICATIONS

Adhesive Silicone Phone Wallet, posting date not given, posted at dhgate.com, [online], [site visited Oct. 24, 2018]. Available from Internet, URL: <https://www.dhgate.com/product/adhesive-silicone-phone-wallet-with-snap/408567690.html> (Year: 2018).*

(Continued)

Primary Examiner — George D. Kirschbaum

Assistant Examiner — Maria J Edwards

(74) *Attorney, Agent, or Firm* — Myers Wolin, LLC

(57) **CLAIM**

The ornamental design for a mobile device pocket with pop-up stand, as shown and described.

FIG. 1 is a perspective view of a first embodiment of a mobile device pocket with pop-up stand showing my new design in a first configuration and FIG. 9 illustrates a use condition;

FIG. 2 is a front elevational view thereof;

FIG. 3 is a left side elevational view thereof;

FIG. 4 is a right side elevational view thereof;

FIG. 5 is a top plan view thereof;

FIG. 6 is a bottom plan view thereof;

FIG. 7 is a rear elevational view thereof;

FIG. 8 is a cross-section taken through line 8-8 in FIG. 4;

FIG. 10 is a perspective view of the first embodiment of a mobile device pocket with pop-up stand of FIG. 1 showing my new design in a second configuration and FIG. 18 illustrates a use condition;

FIG. 11 is a front elevational view thereof;

FIG. 12 is a left side elevational view thereof;

FIG. 13 is a right side elevational view thereof;

FIG. 14 is a top plan view thereof;

FIG. 15 is a bottom plan view thereof;

FIG. 16 is a rear elevational view thereof;

FIG. 17 is a cross-section taken through line 17-17 in FIG. 13;

FIG. 19 is a perspective view of a second embodiment of a mobile device pocket with pop-up stand showing my new design in a first configuration and FIG. 27 illustrates a use condition;

FIG. 20 is a front elevational view thereof;

FIG. 21 is a left side elevational view thereof;

FIG. 22 is a right side elevational view thereof;

FIG. 23 is a top plan view thereof;

FIG. 24 is a bottom plan view thereof;

FIG. 25 is a rear elevational view thereof;

FIG. 26 is a cross-section taken through line 26-26 in FIG. 22;

FIG. 28 is a perspective view of the second embodiment of a mobile device pocket with pop-up stand of FIG. 19 showing my new design in a second configuration and FIG. 36 illustrates a use condition;

FIG. 29 is a front elevational view thereof;

FIG. 30 is a left side elevational view thereof;

FIG. 31 is a right side elevational view thereof;

(Continued)

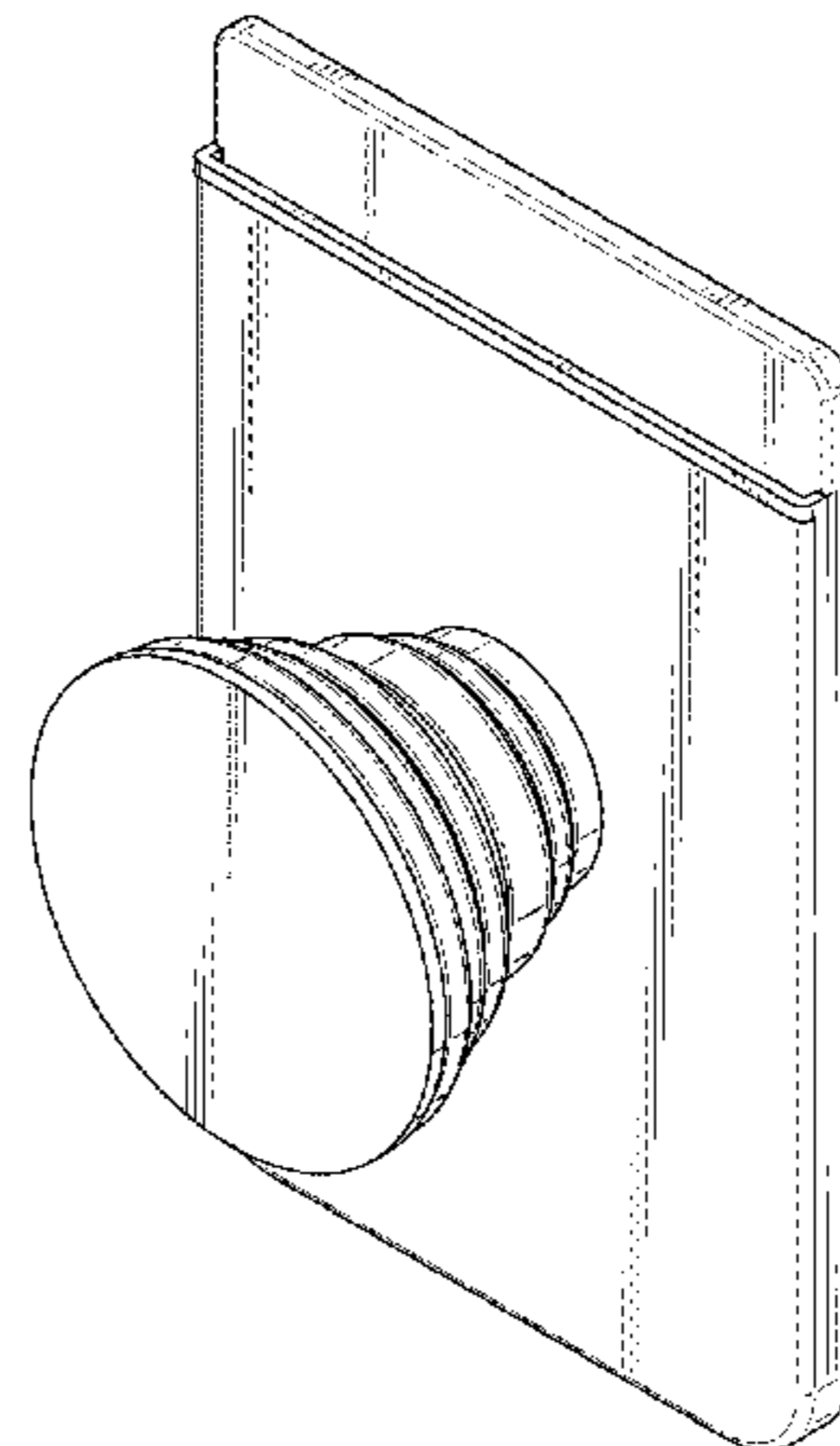
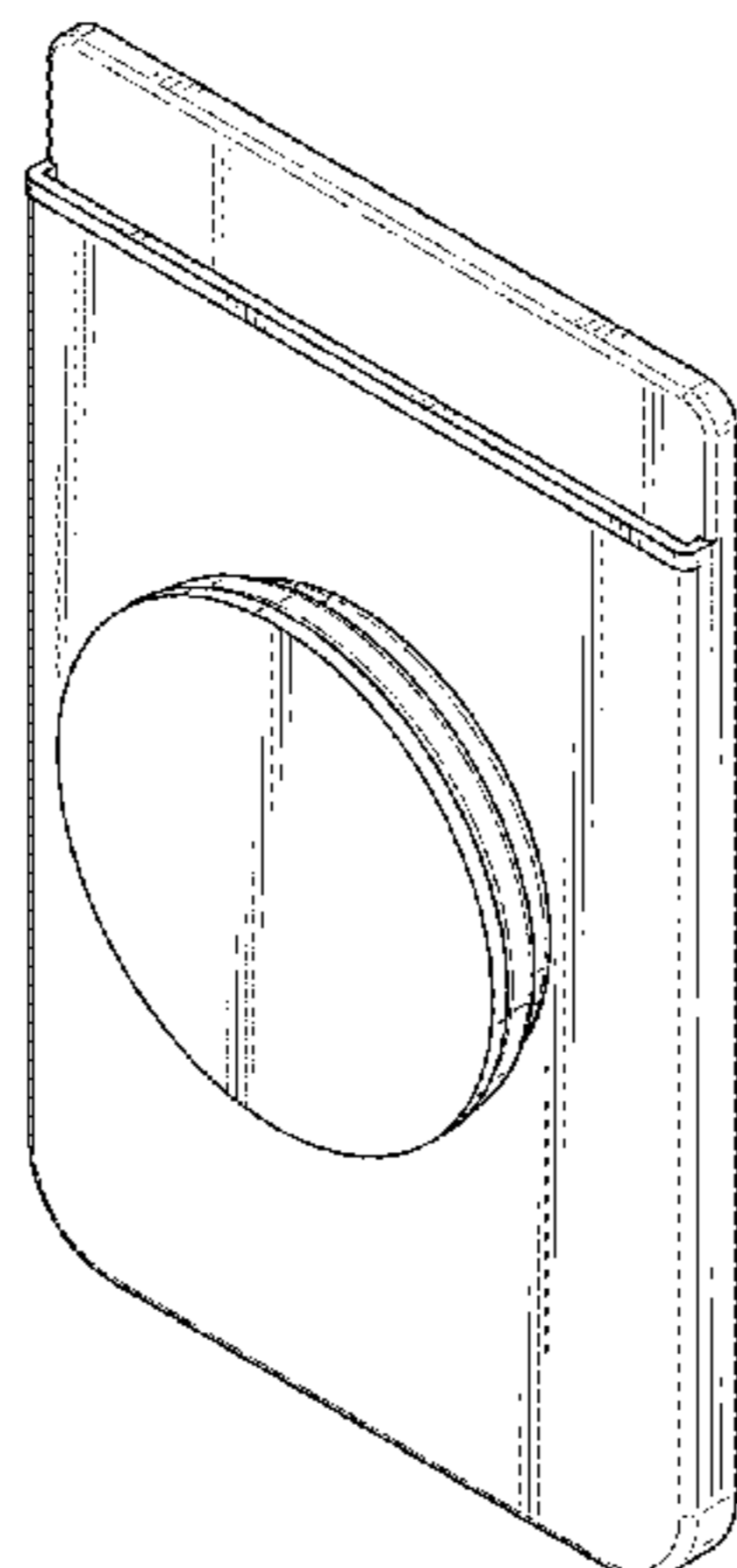


FIG. 32 is a top plan view thereof;
 FIG. 33 is a bottom plan view thereof;
 FIG. 34 is a rear elevational view thereof; and,
 FIG. 35 is a cross-section taken through line 35-35 in FIG. 31.

The broken lines show environmental structure and form no part of the claimed design.

1 Claim, 16 Drawing Sheets

(58) **Field of Classification Search**

CPC A45C 2011/002; H04M 1/04; H04B 1/385
 See application file for complete search history.

(56) **References Cited**

U.S. PATENT DOCUMENTS

D570,593	S	*	6/2008	Justiss	D3/201
D668,458	S	*	10/2012	Lee	D3/303
D691,124	S	*	10/2013	Yang	D14/250
8,560,031	B2		10/2013	Barnett et al.		
D707,965	S	*	7/2014	Requa	D3/247
D726,704	S	*	4/2015	Park	D14/250
D730,334	S	*	5/2015	Shin	D14/248
D735,184	S	*	7/2015	Lee	D14/250
D744,236	S	*	12/2015	Turksu	D3/300
D749,554	S	*	2/2016	Park	D14/250
D758,350	S	*	6/2016	Mulumudi	D14/217
D768,121	S	*	10/2016	Ormsbee	D14/250
D772,215	S	*	11/2016	Mulumudi	D14/250
D774,501	S	*	12/2016	Lee	D14/250
D776,101	S	*	1/2017	Poon	D14/250
D782,185	S	*	3/2017	Lederer	D14/252
D782,455	S	*	3/2017	Kim	D14/248
D788,092	S	*	5/2017	Phang	D14/250
D791,759	S	*	7/2017	Lin	D14/250
9,771,202	B1	*	9/2017	Harris	A45C 11/00
D808,285	S	*	1/2018	Bone	D10/46
D810,065	S	*	2/2018	Tien	D14/250
D810,066	S	*	2/2018	Tien	D14/250
D819,603	S	*	6/2018	Pearce	D14/217
D832,832	S	*	11/2018	Lamb	D14/250
D833,423	S	*	11/2018	Guerdrum	D14/250
2008/0053851	A1	*	3/2008	Ko	A45C 11/00 206/320
2013/0303000	A1	*	11/2013	Witter	H01R 13/6205 439/39

2014/0083876	A1	*	3/2014	Lin	A45C 11/00 206/37
2014/0135080	A1	*	5/2014	Kimball	H04M 1/04 455/575.1
2014/0364176	A1	*	12/2014	Pintor	H04B 1/385 455/575.6
2015/0289634	A1	*	10/2015	Chavez	A45F 5/004 224/162
2016/0219727	A1	*	7/2016	McMahon	F16M 13/00
2017/0195469	A1	*	7/2017	Duckett	H04M 1/04
2018/0262603	A1	*	9/2018	Richter	A45F 5/00
2018/0288204	A1	*	10/2018	Nahum	H04M 1/04

OTHER PUBLICATIONS

Ashee PU Leather Cell Phone Wallet Pocket with Ring Stand, posting date not given, posted at amazon.com, [online], [site visited Oct. 24, 2018]. Available from Internet, URL: <https://www.amazon.com/Premium-Leather-Holder-Sticker-Adhesive/dp/B0785HJ1XT> (Year: 2018).*

Doctor Silicone Mobile Device Pocket, posting date not given, posted at primeline.com, [online], [site visited Oct. 24, 2018]. Available from Internet, URL: <https://primeline.com/doctor-silicone-mobile-device-pocket.html> (Year: 2018).*

Mobile Device Pockets, posting date not given, posted at promanagers.com, [online], [site visited Oct. 24, 2018]. Available from Internet, URL: <https://www.promanagers.com/mobile-device-pocket.aspx> (Year: 2018).*

Nurse Silicone Mobile Device Pocket, posted at garrettspecialties.com, posting date Jan. 7, 2016, [online], [site visited Oct. 24, 2018]. Available from Internet, URL: <https://www.garrettspecialties.com/nurse-silicone-mobile-device-pocket-p-22222.html> (Year: 2016).*

PopSockets Collapsible Grip & Stand for Phones and Tablets, posted at amazon.com, posting date Apr. 17, 2015, [online], [site visited Oct. 24, 2018]. Available from Internet, URL: <https://www.amazon.com/PopSockets-Collapsible-Stand-Phones-Tablets/dp/B00UY1YTGG> (Year: 2015).*

PopWallet Black, posted at popsockets.com, posting date not given, [online], [site visited Oct. 24, 2018]. Available from Internet, URL: <https://www.popsockets.com/collections/accessories/products/popwallet-black> (Year: 2018).*

Quik Snap Thumbs Up Mobile Device Pocket and stand, posted at amazon.com, posting date not given, [online], [site visited Oct. 24, 2018]. Available from Internet, URL: <https://www.amazon.com/Thumbs-Mobile-Device-Pocket-Stand/dp/B01BSKDDFY> (Year: 2018).*

* cited by examiner

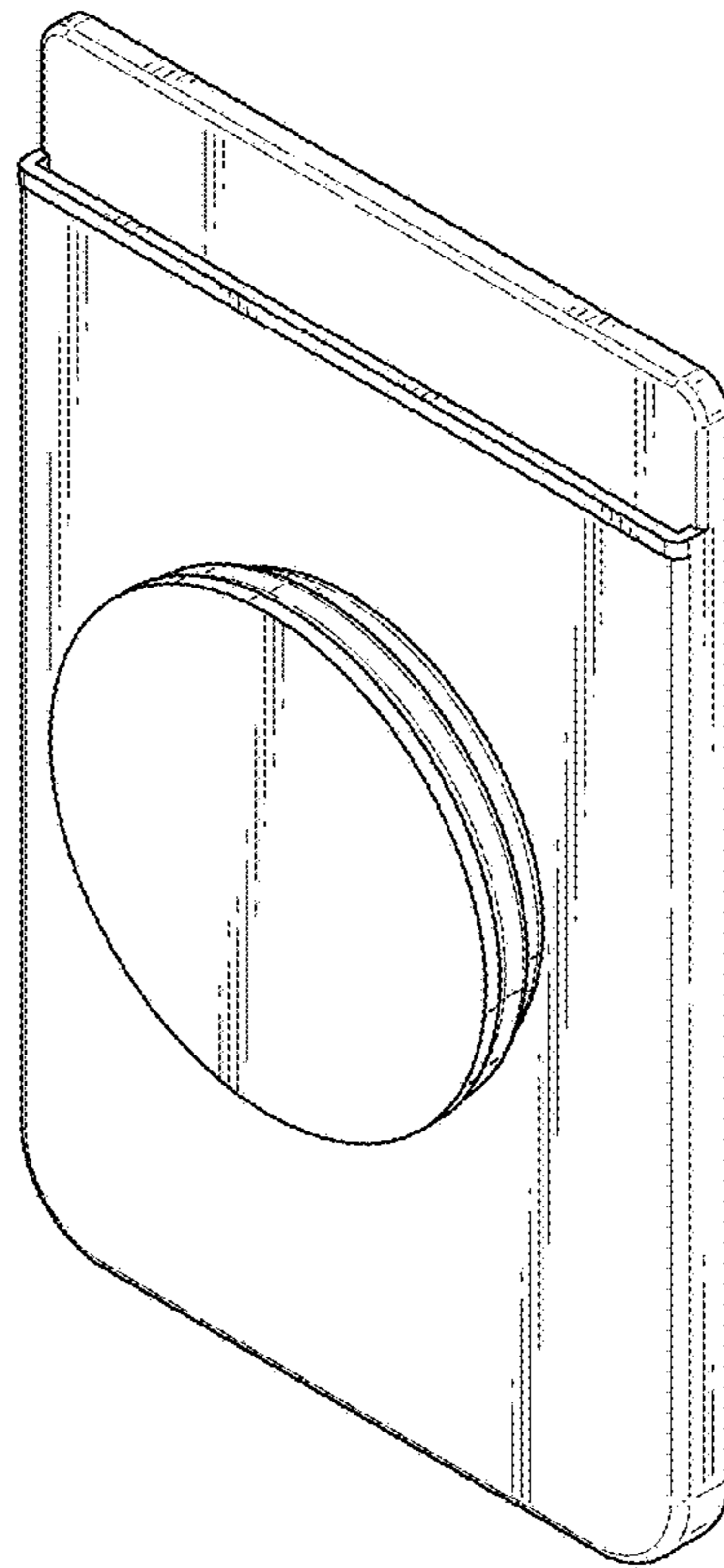
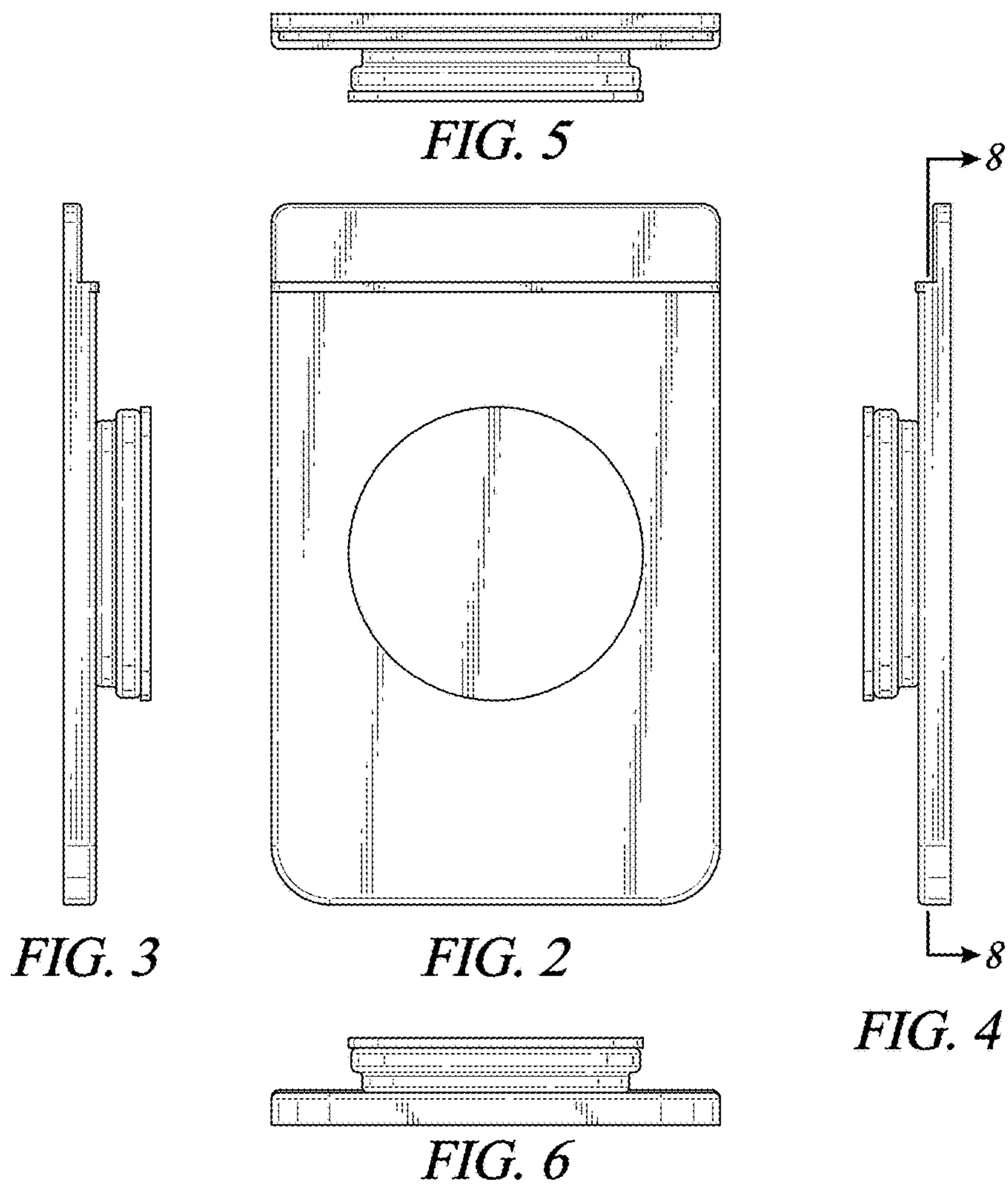


FIG. 1



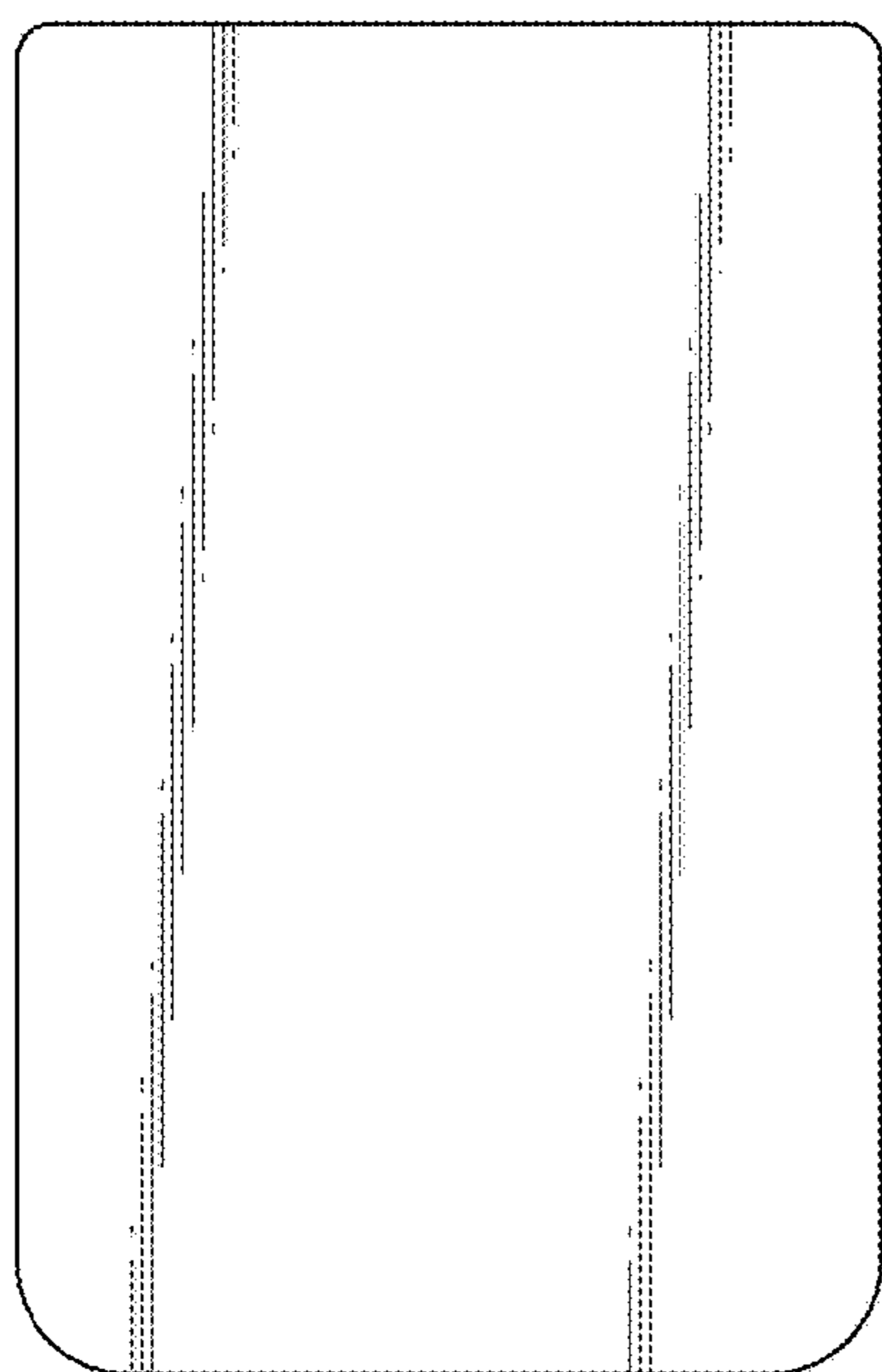


FIG. 7

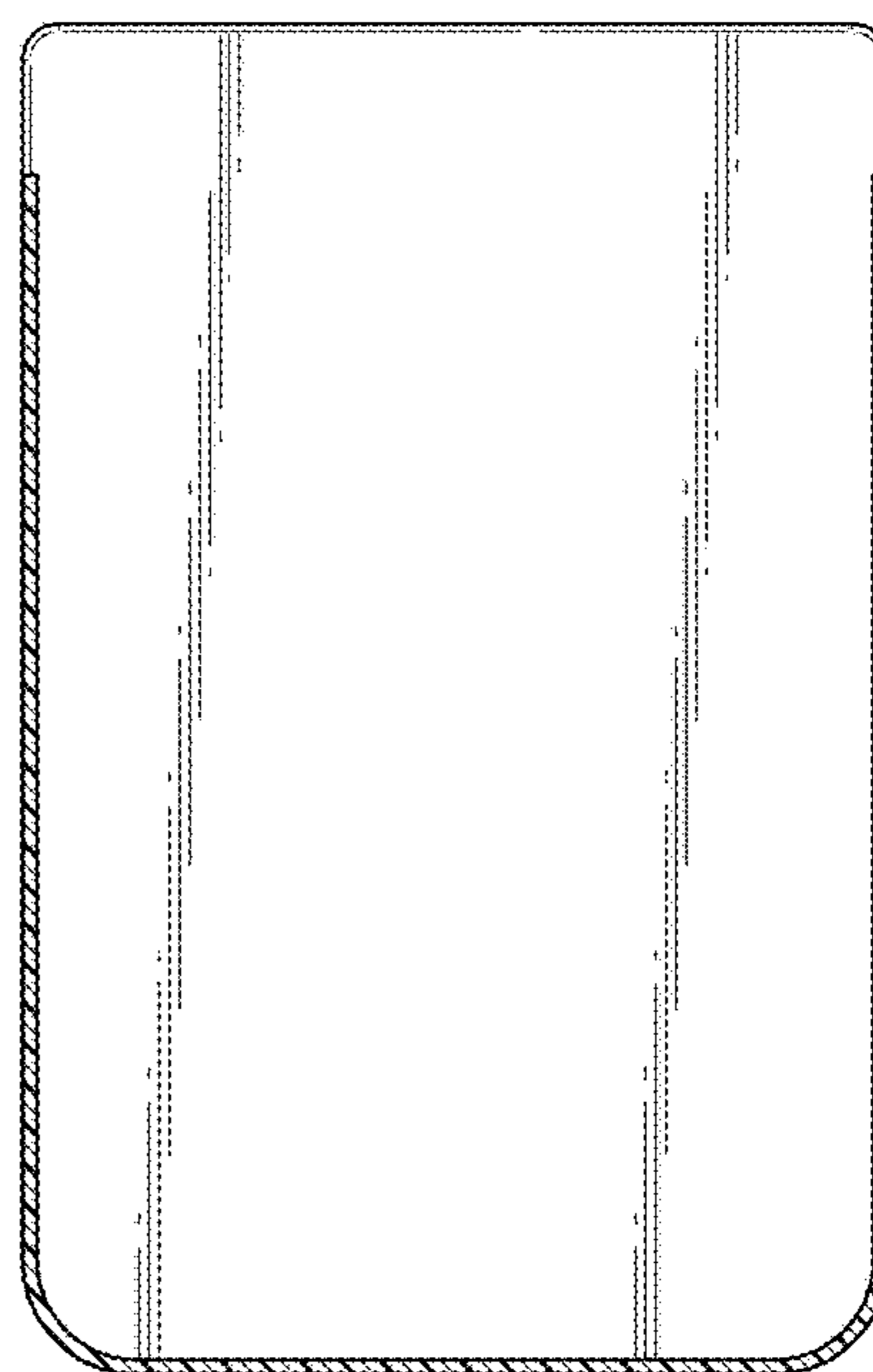


FIG. 8

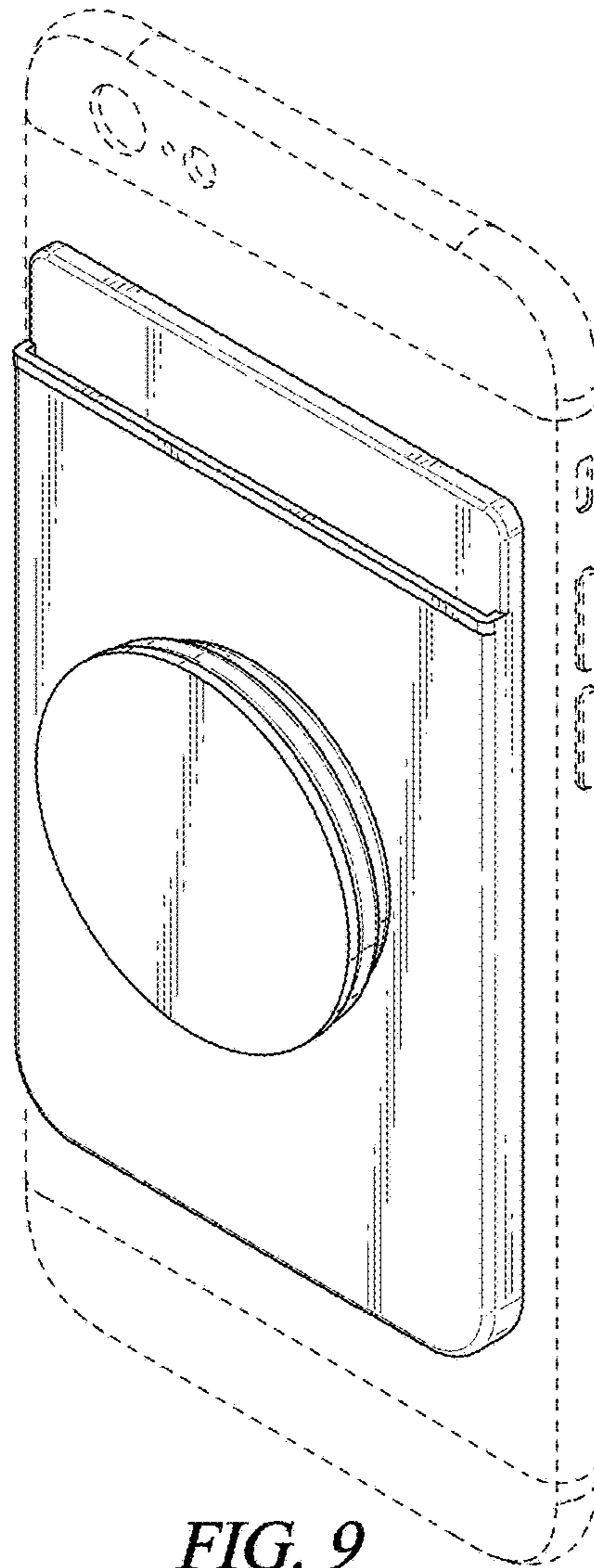


FIG. 9

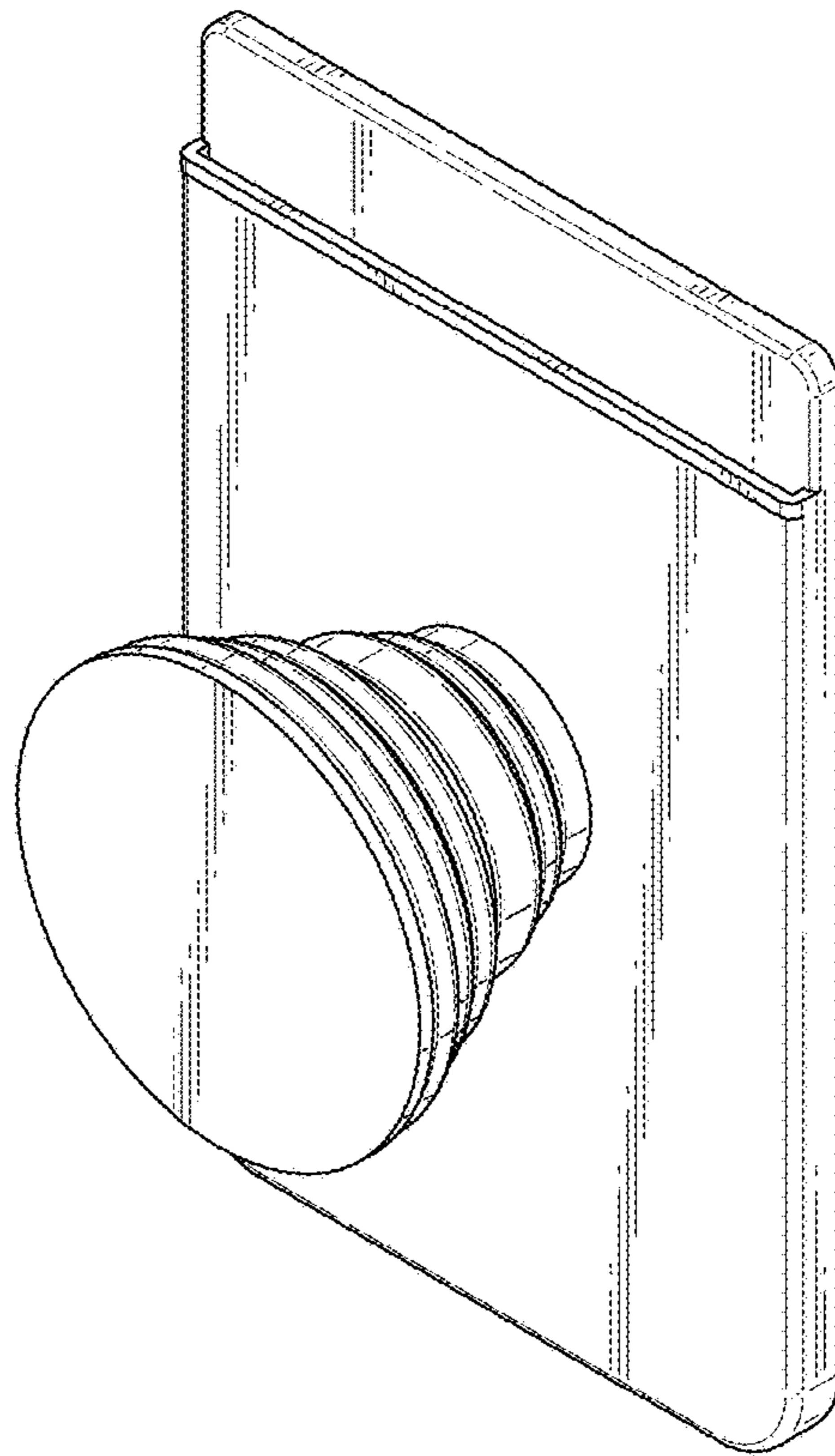


FIG. 10

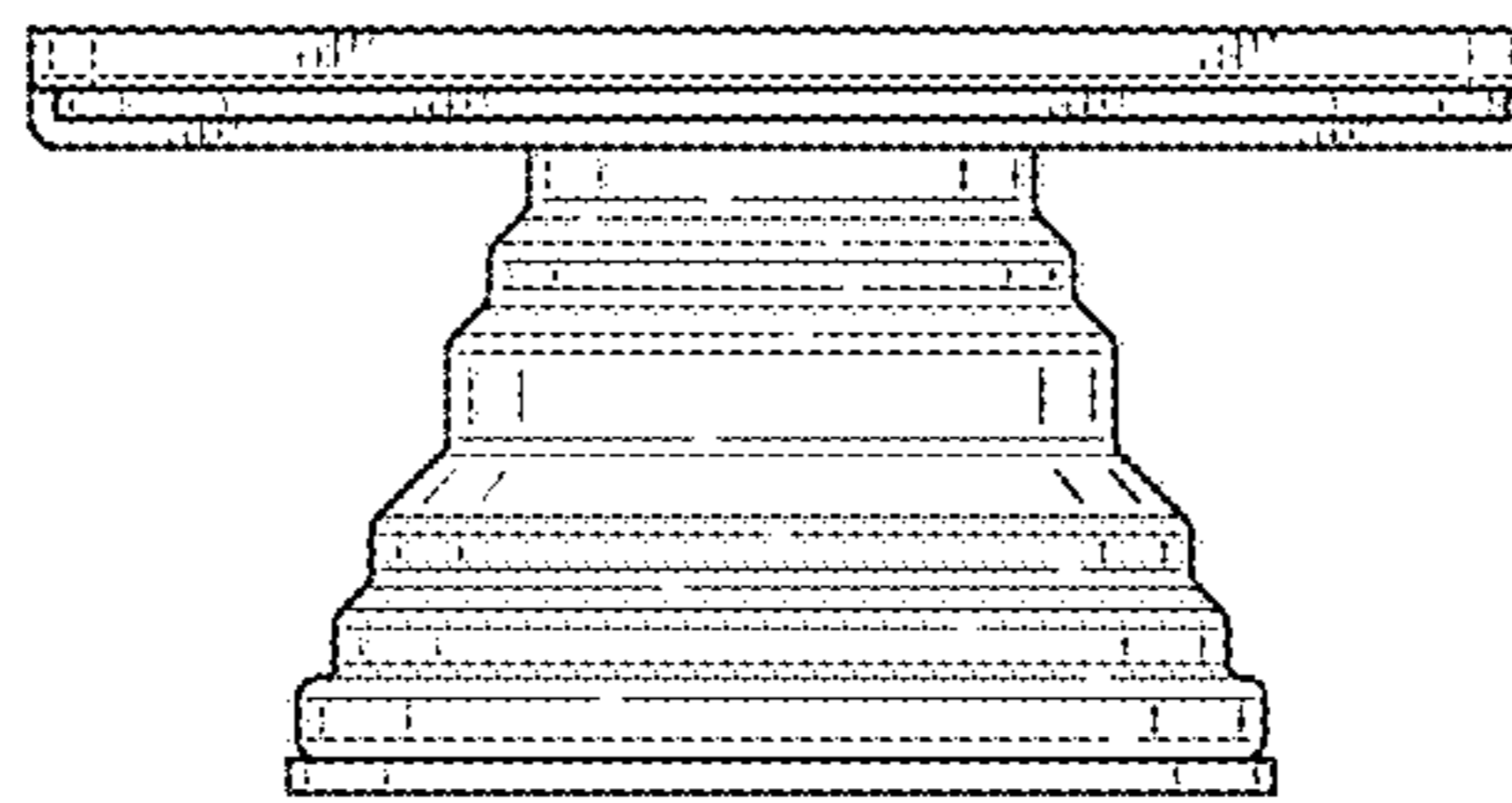


FIG. 14

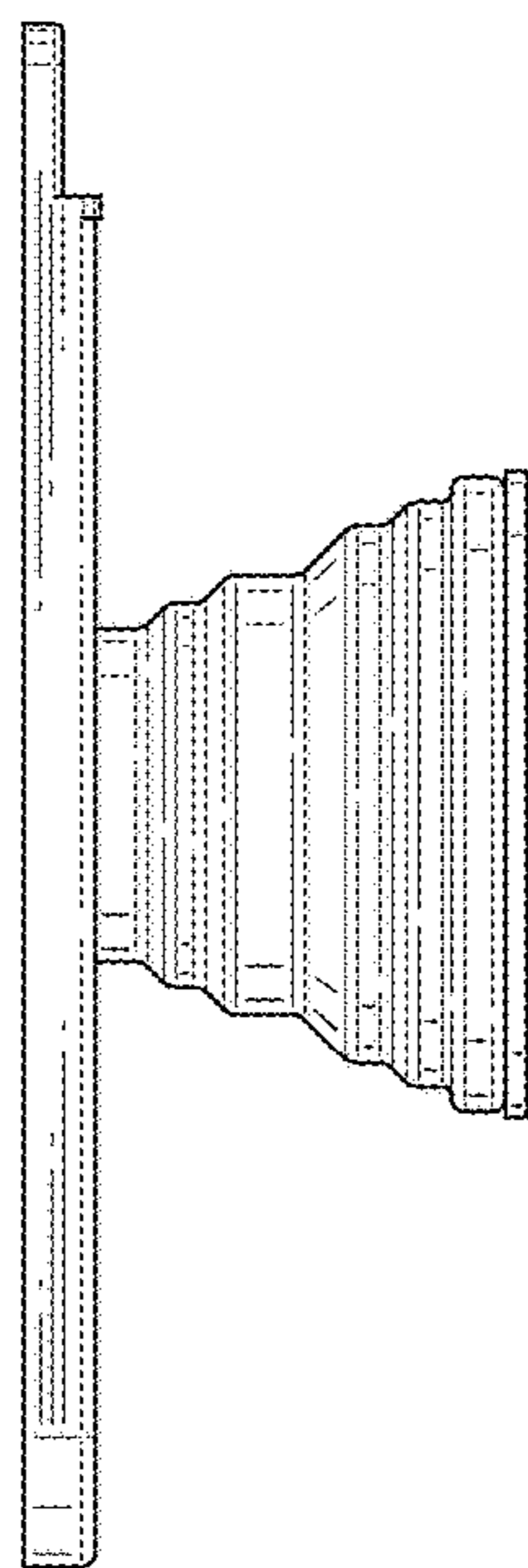


FIG. 12

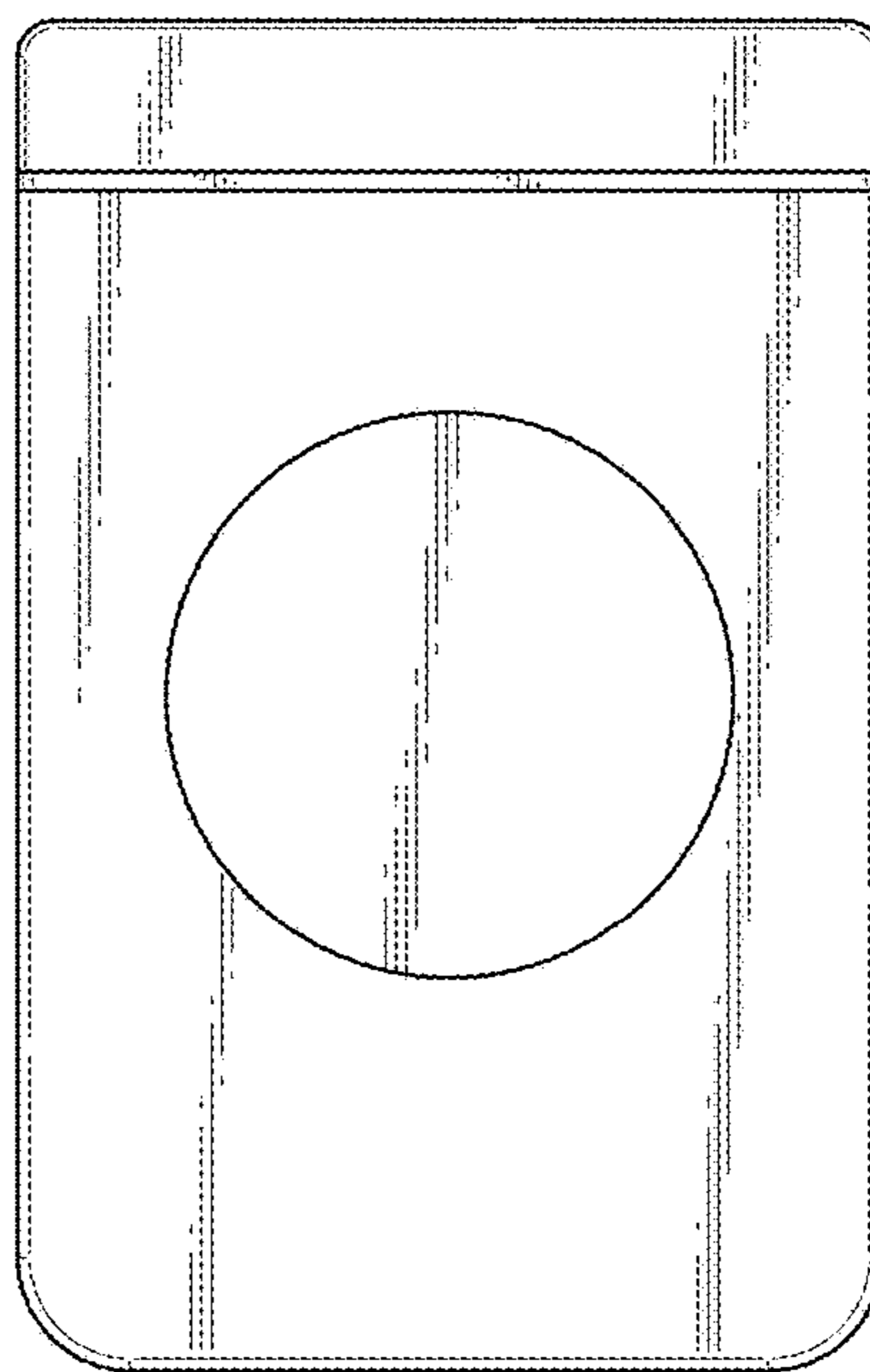


FIG. 11

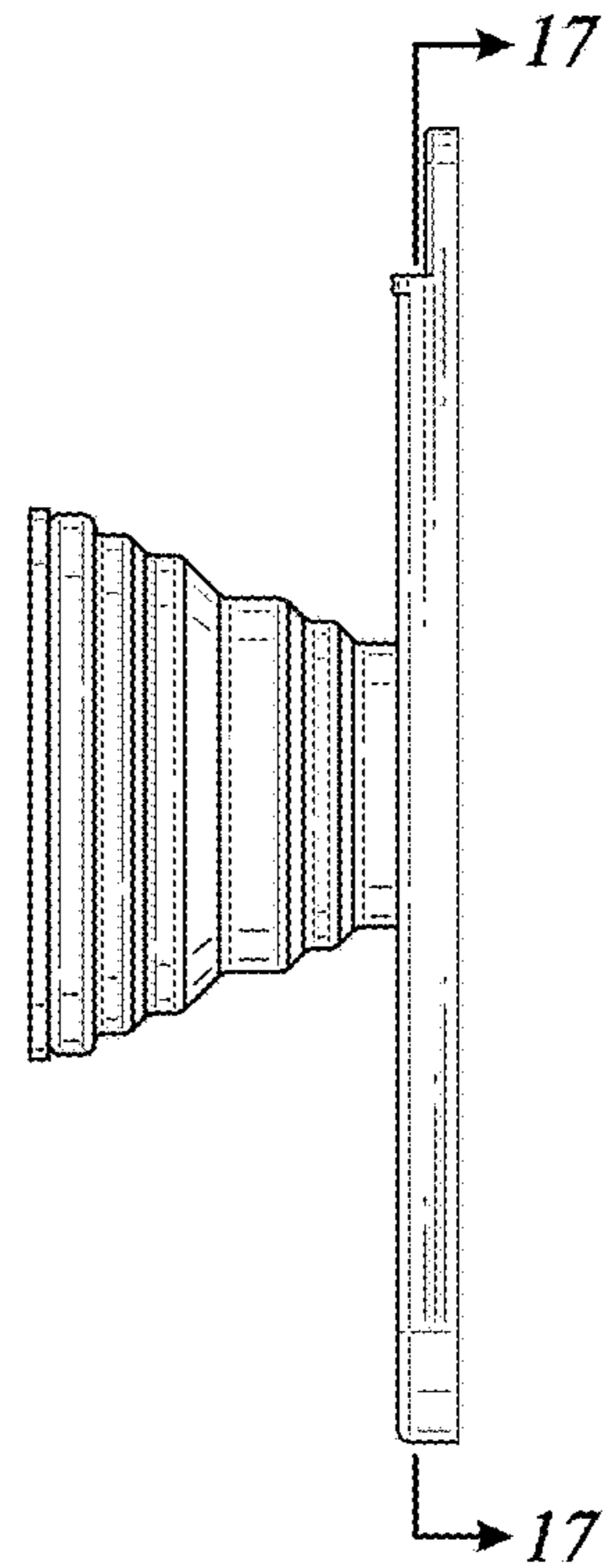


FIG. 13

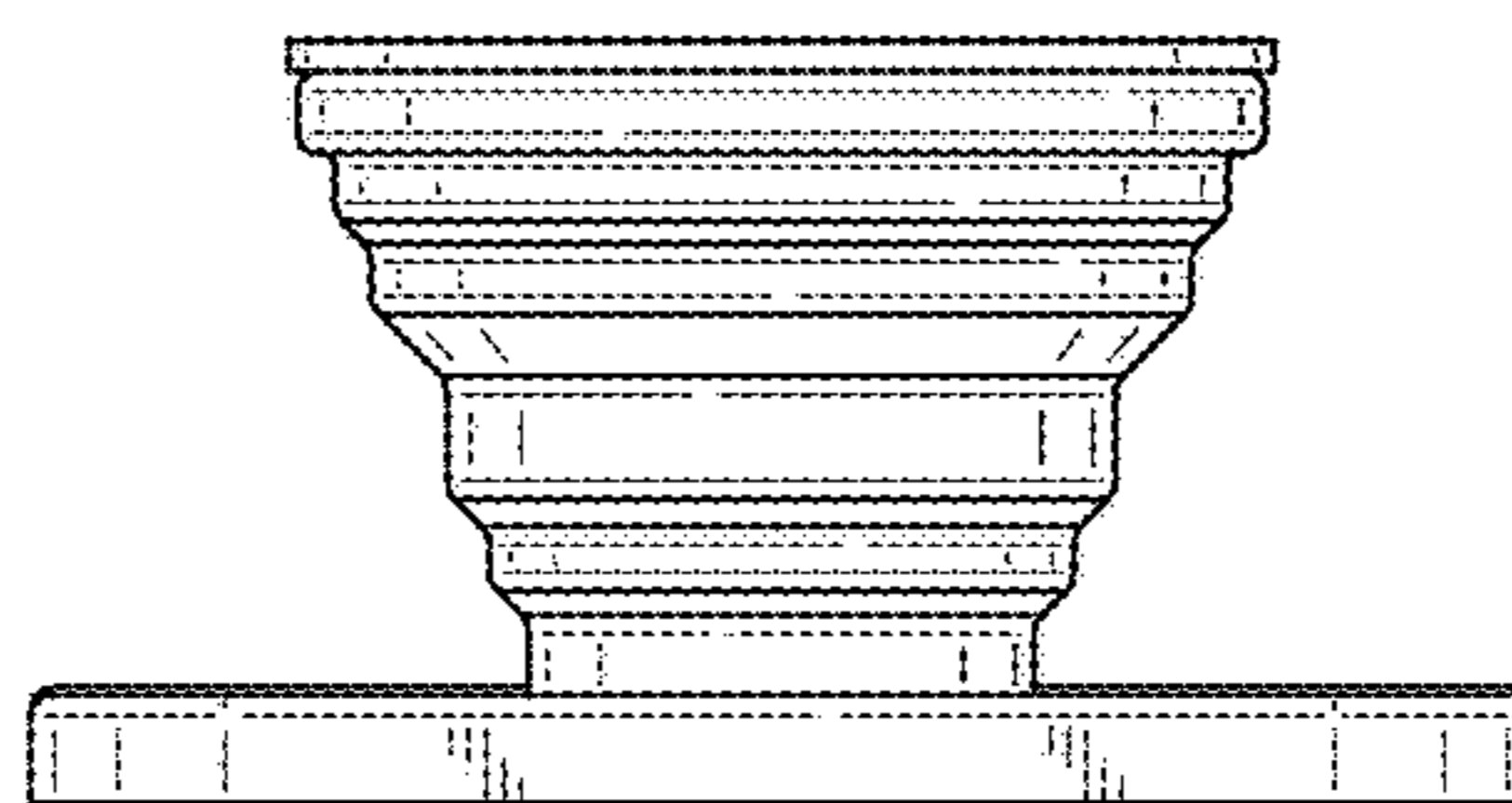


FIG. 15

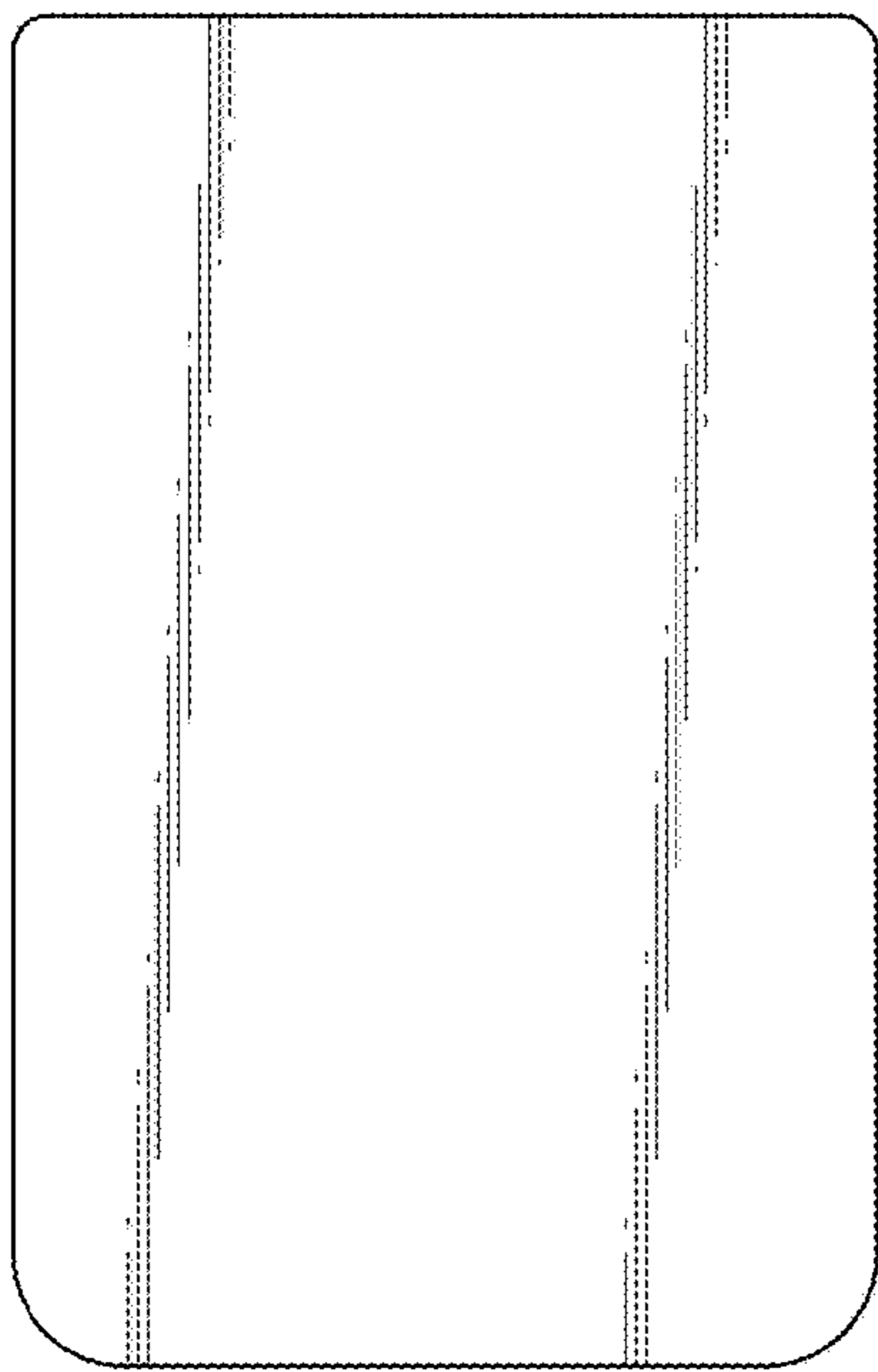


FIG. 16

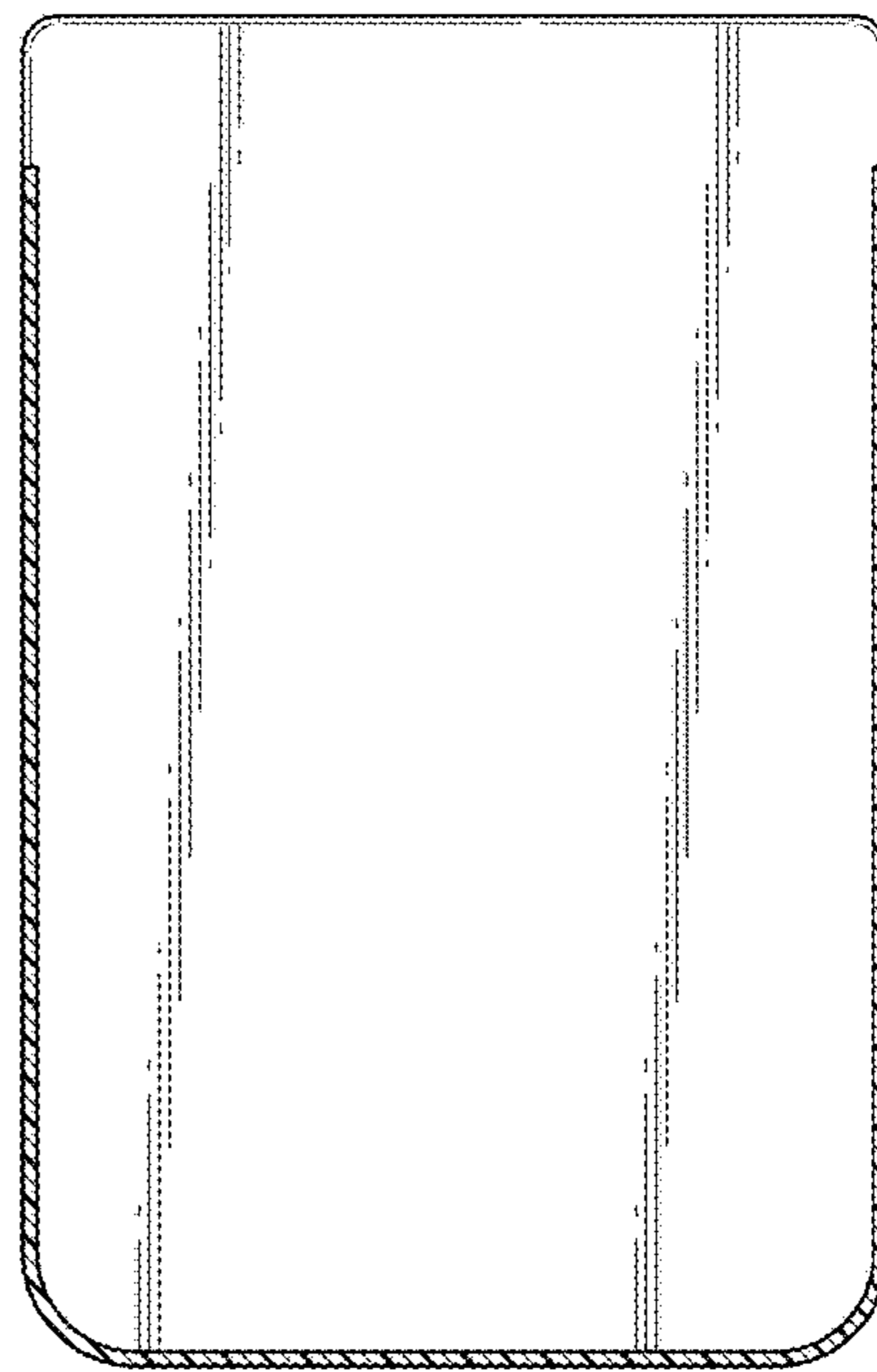


FIG. 17

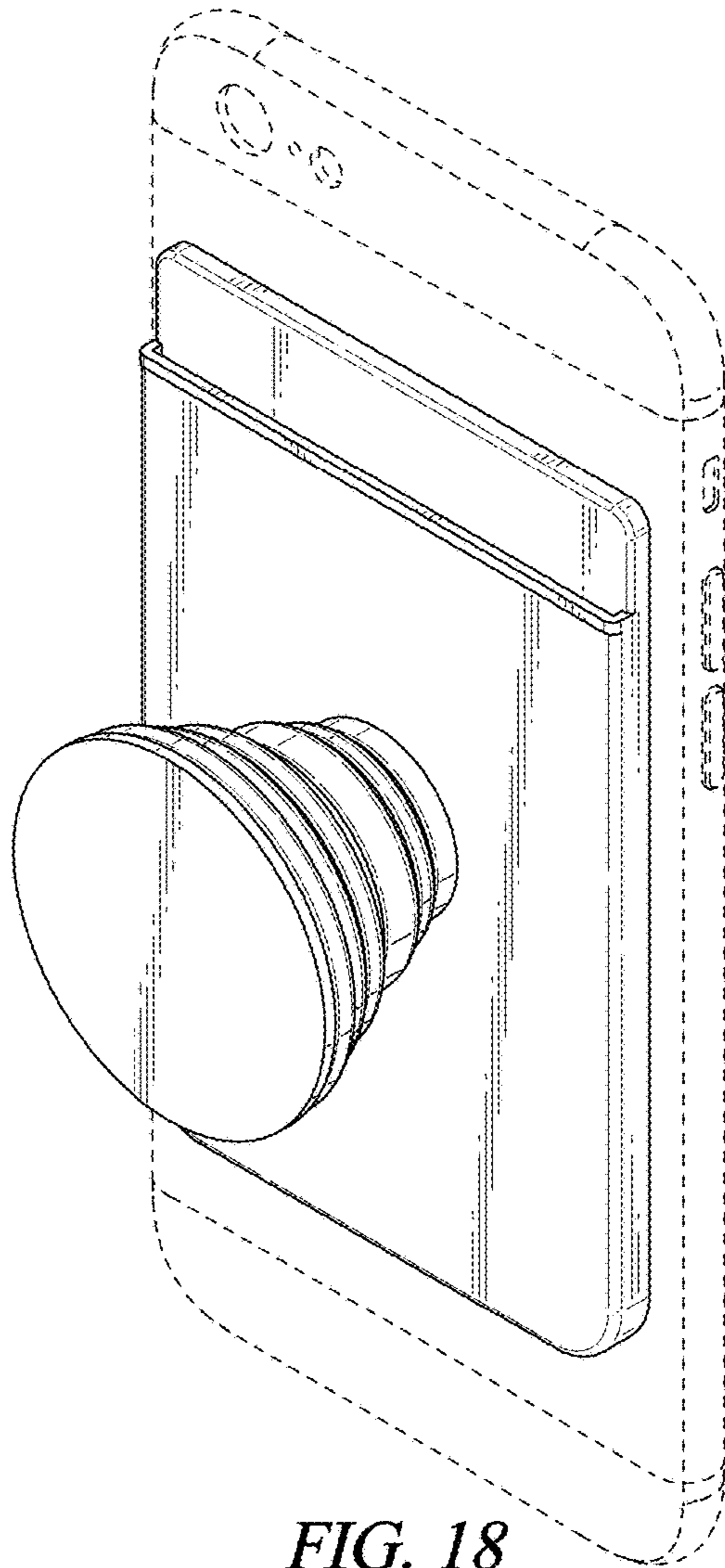


FIG. 18

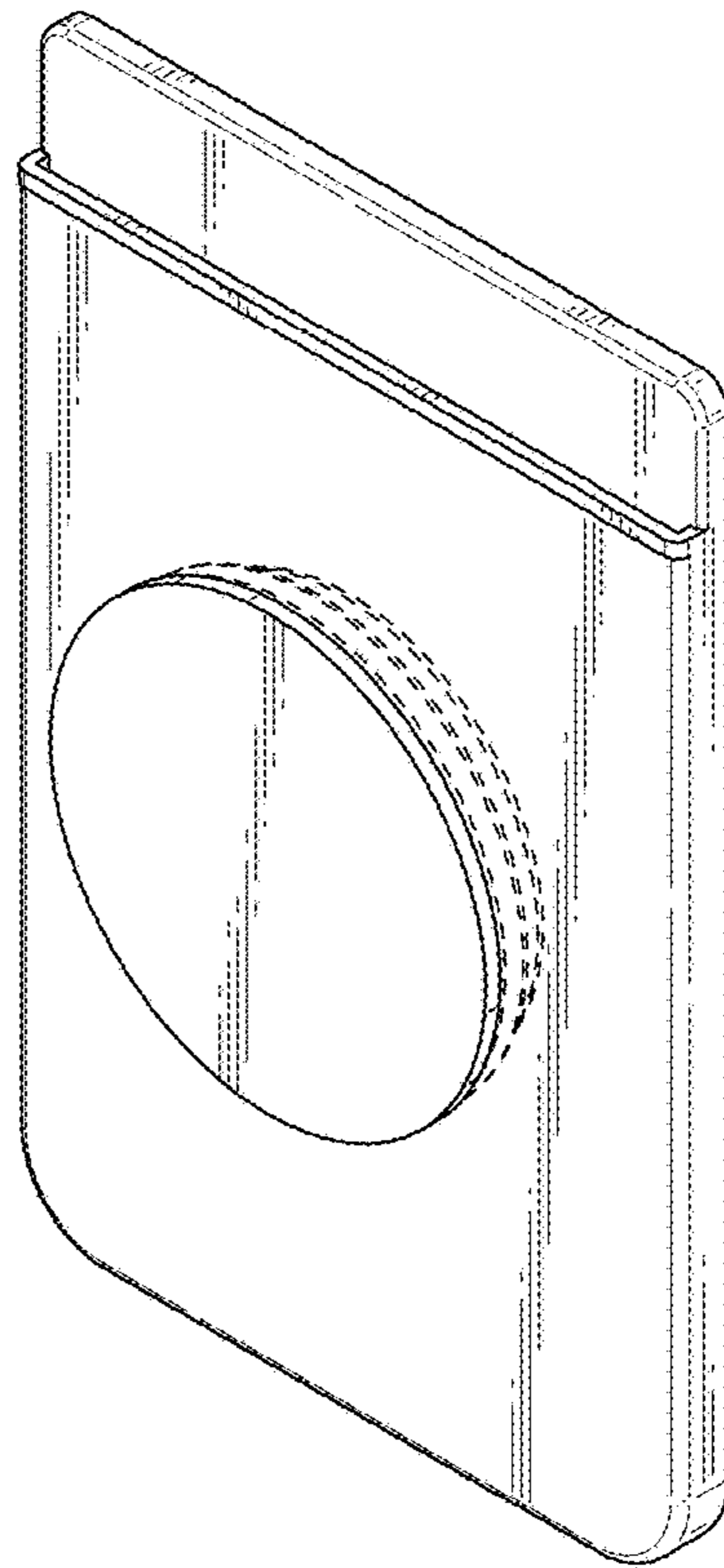


FIG. 19

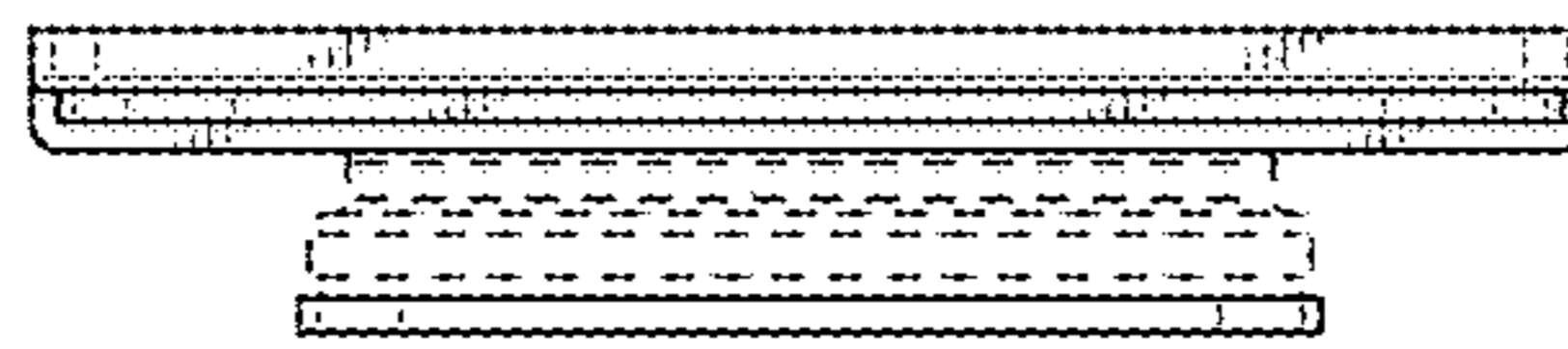


FIG. 23

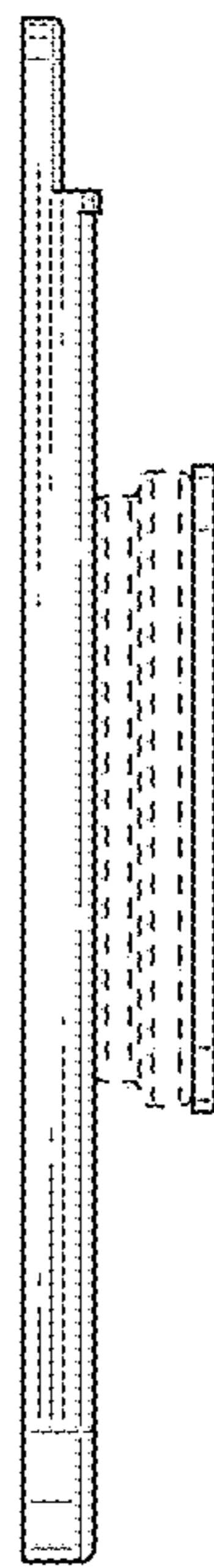


FIG. 21

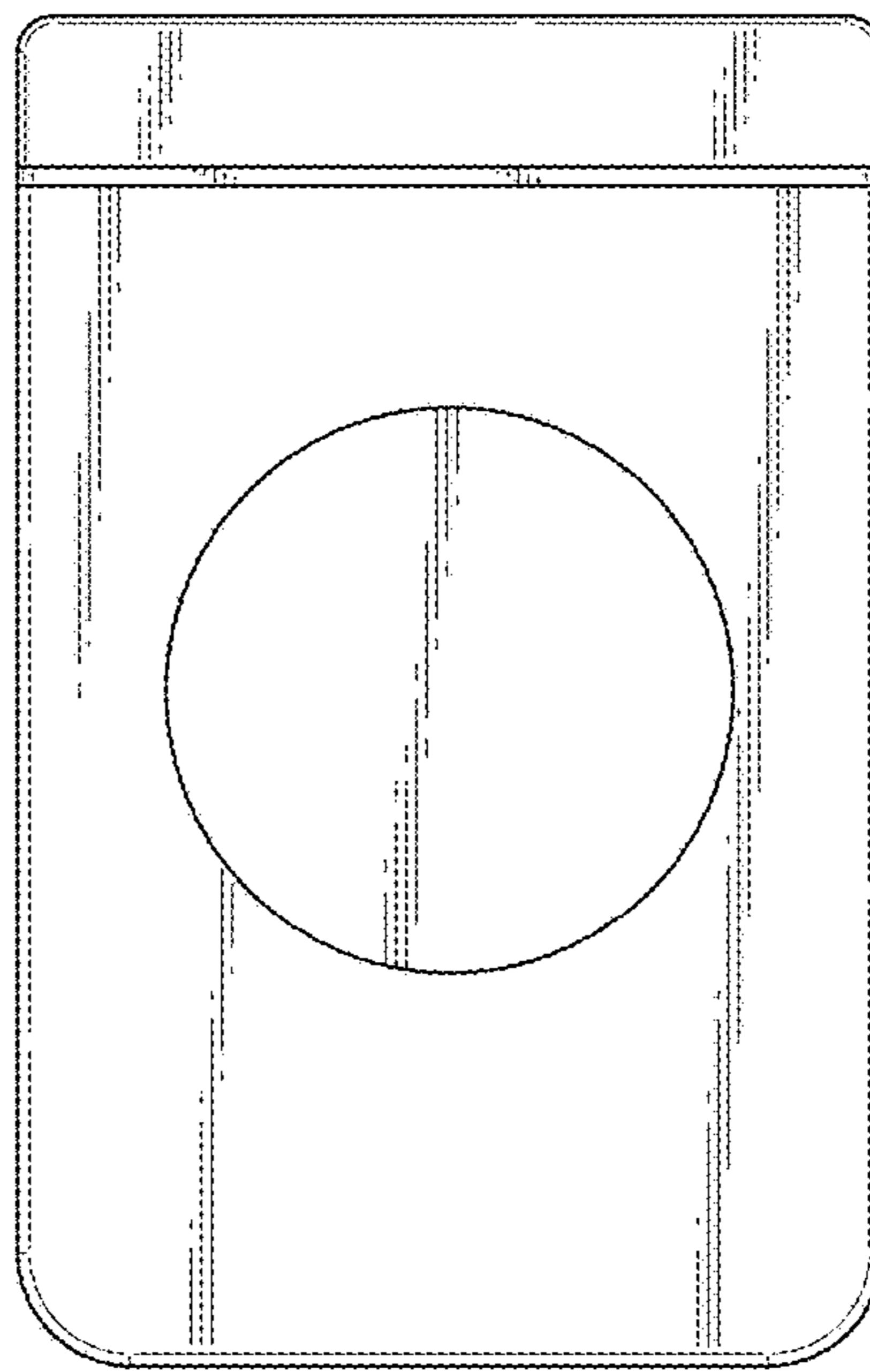


FIG. 20

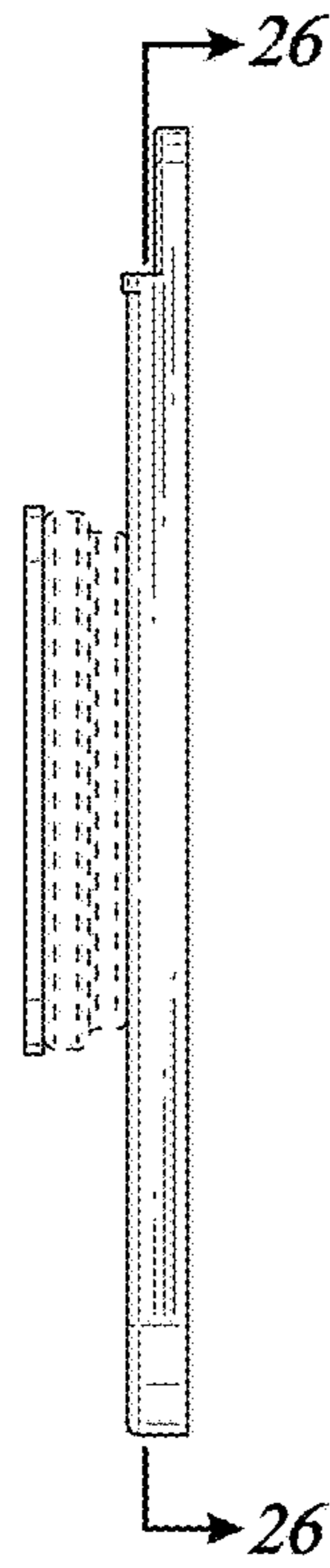


FIG. 22



FIG. 24

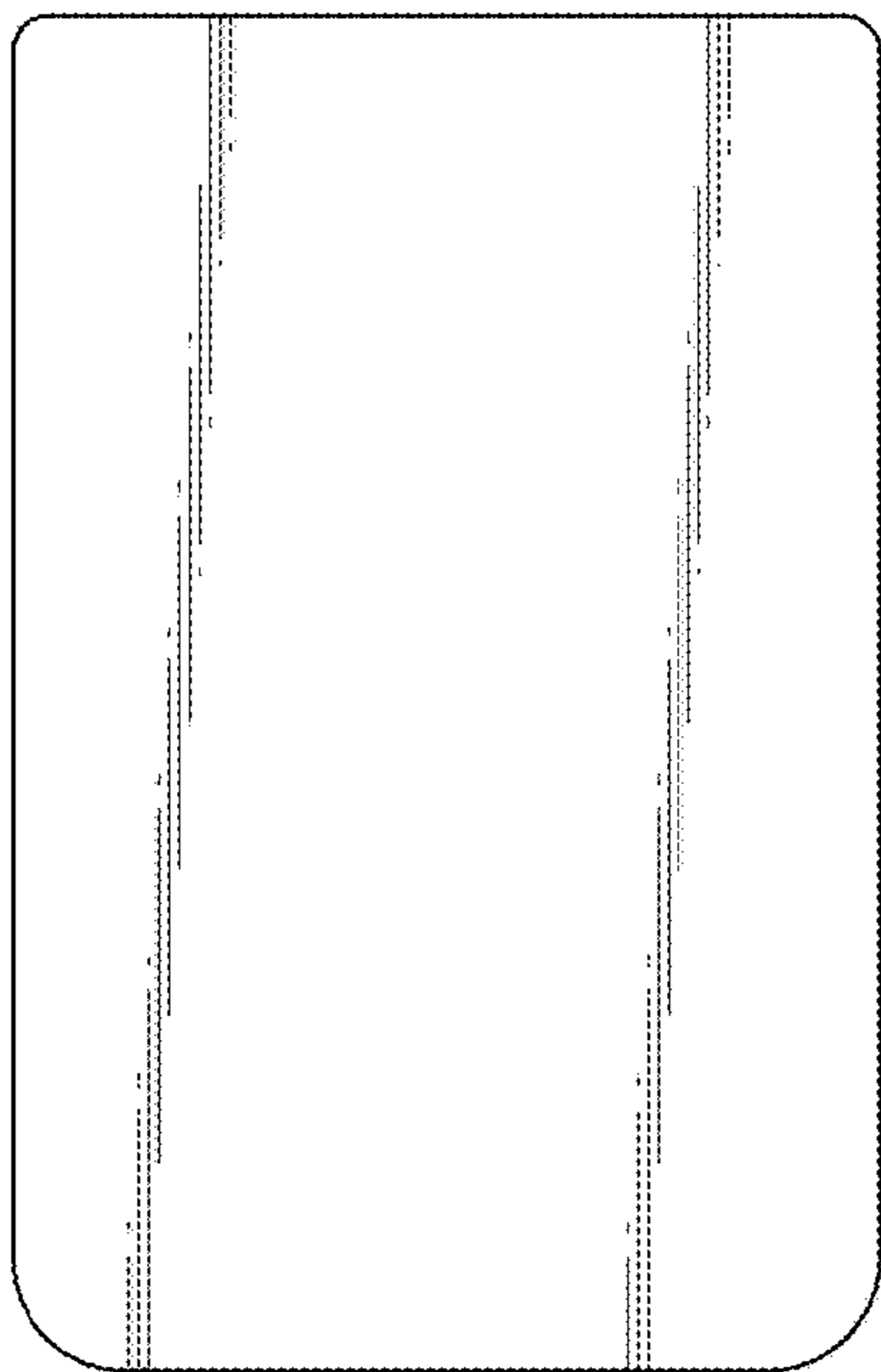


FIG. 25

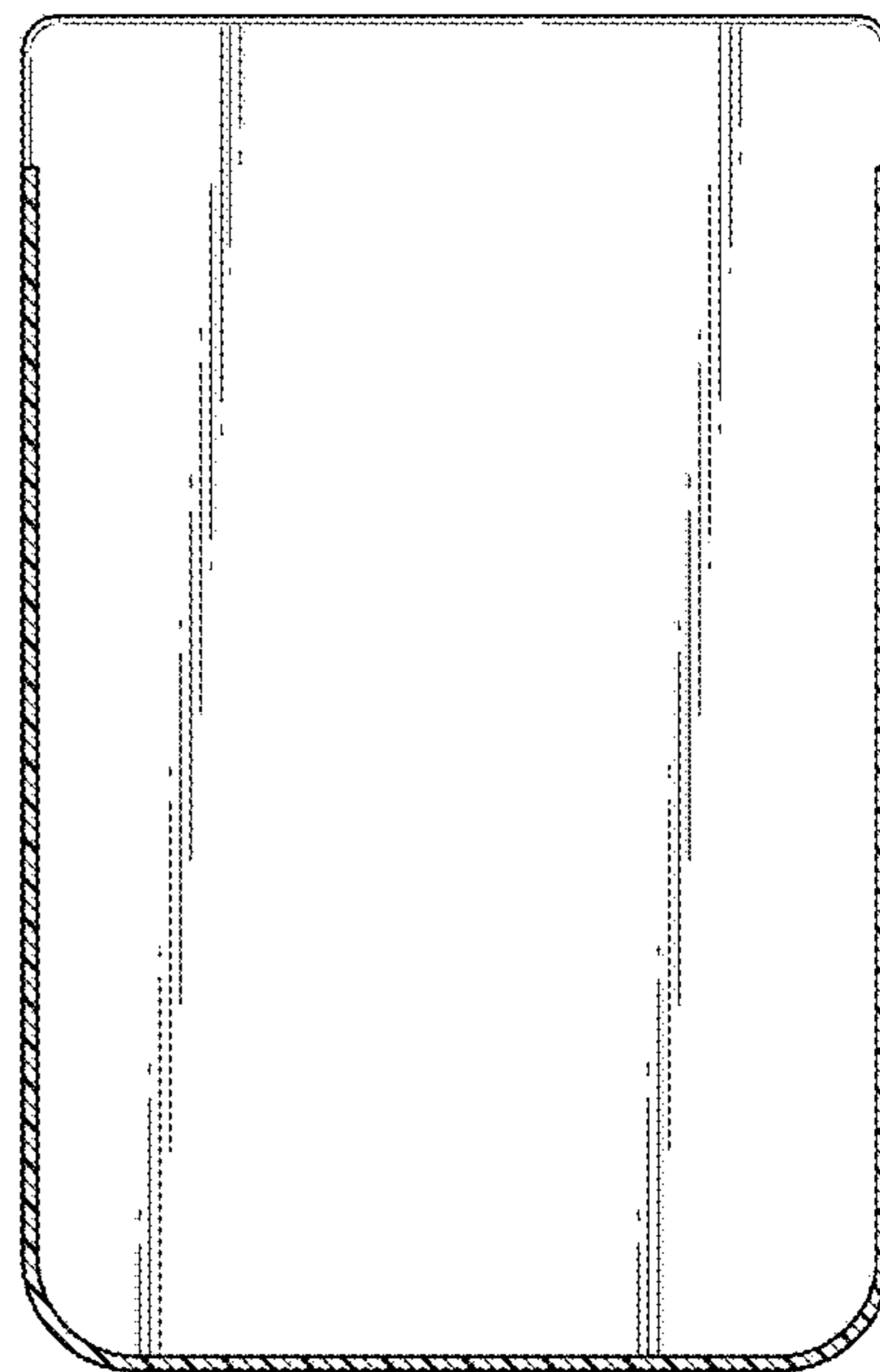


FIG. 26

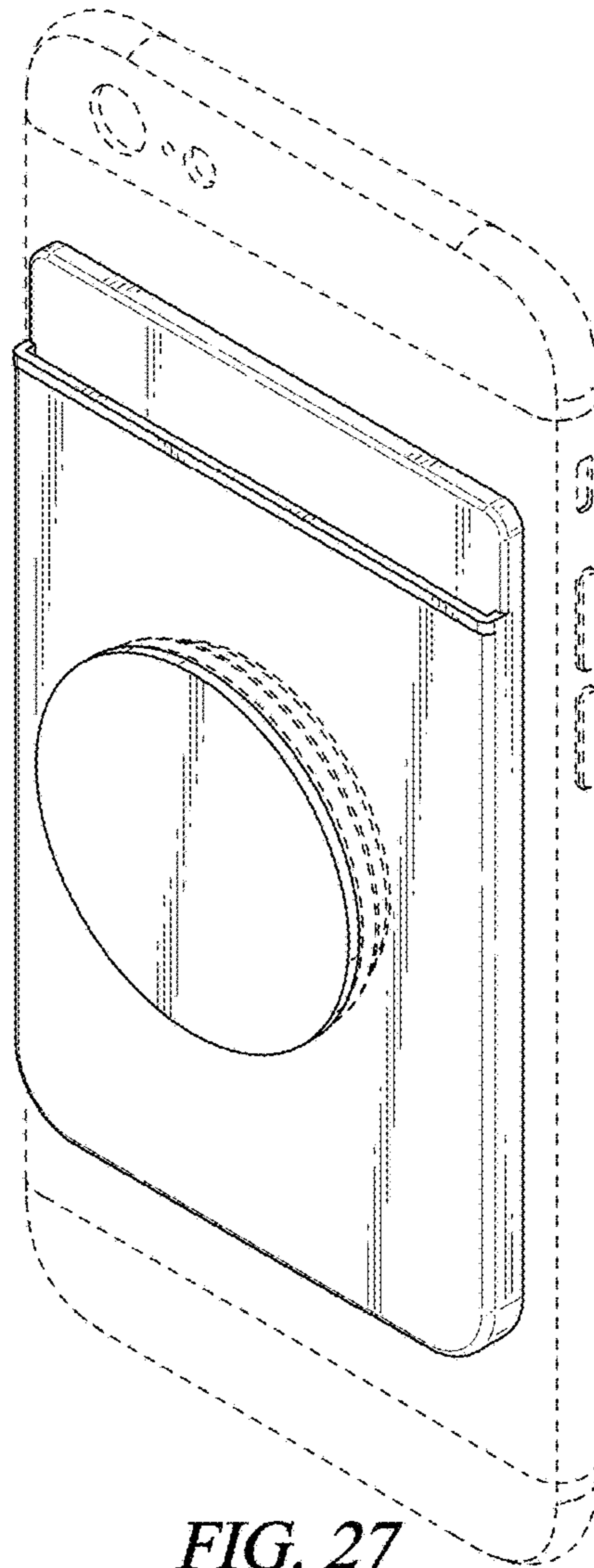


FIG. 27

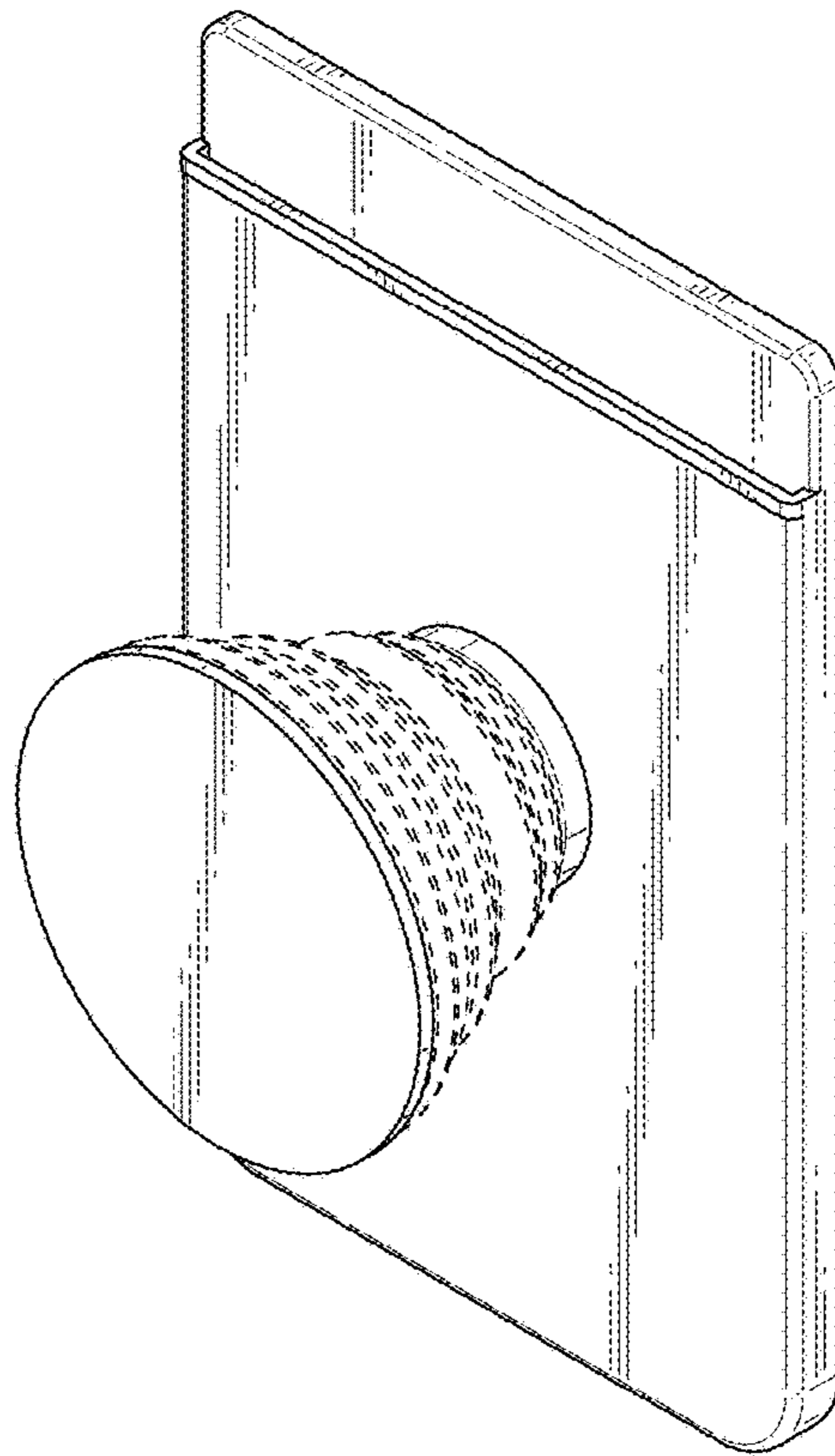


FIG. 28

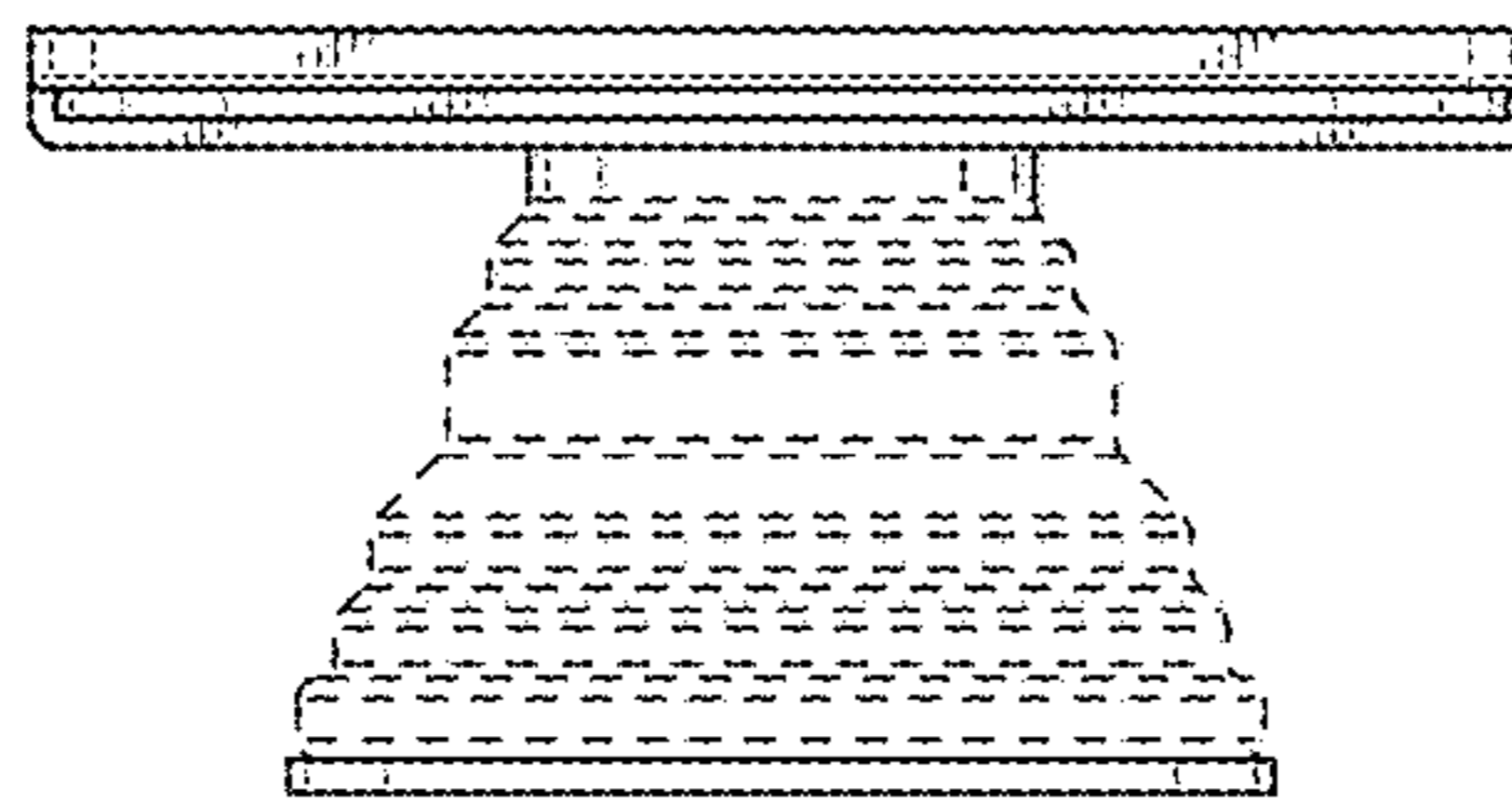


FIG. 32

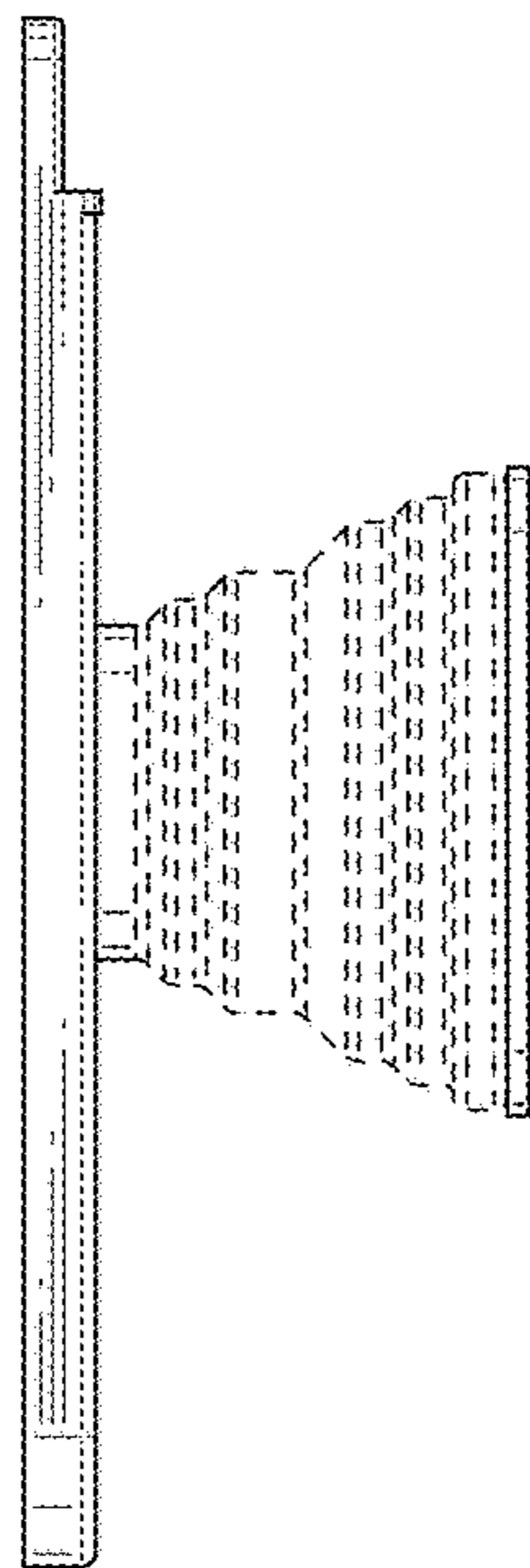


FIG. 30

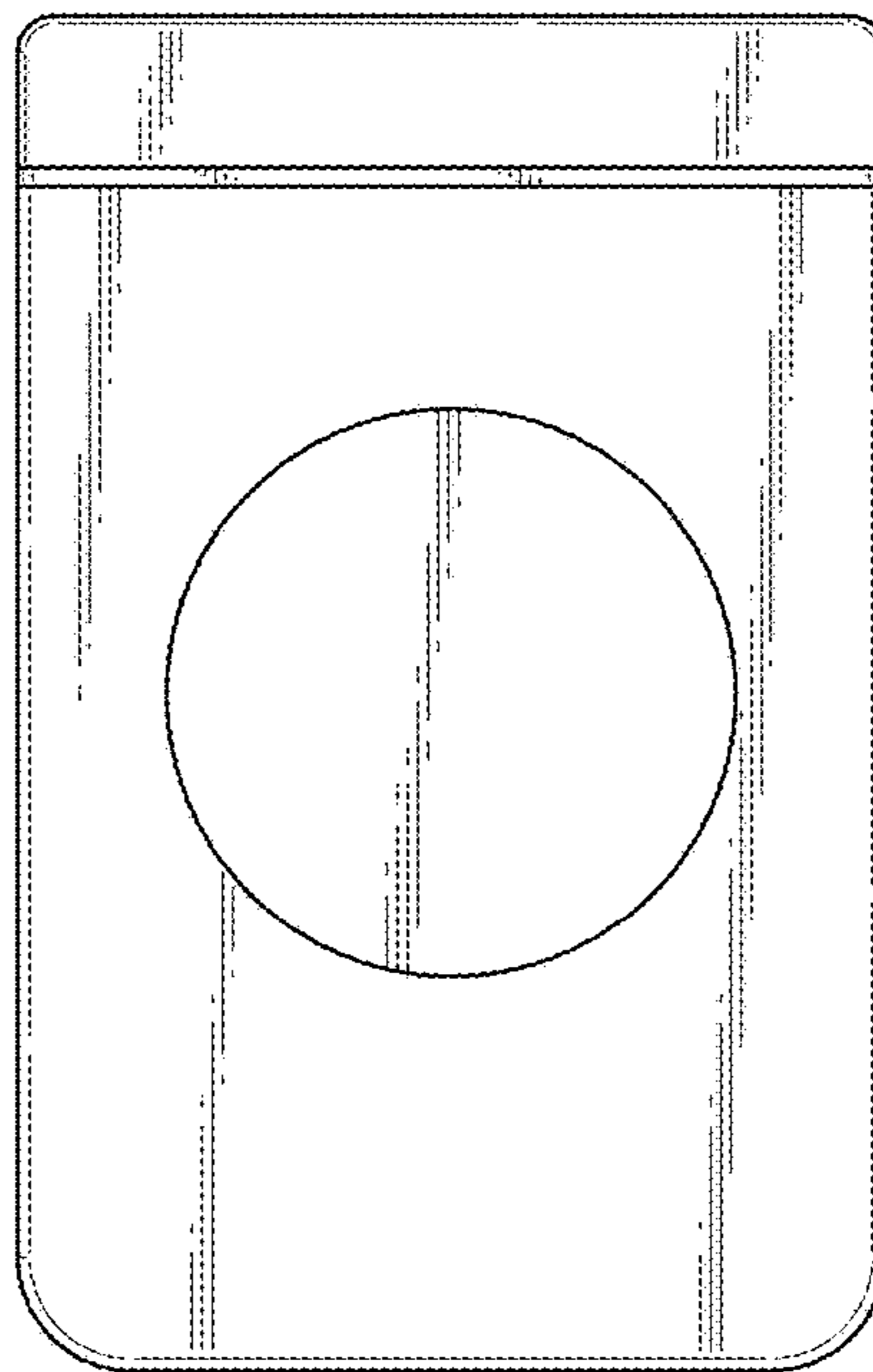


FIG. 29

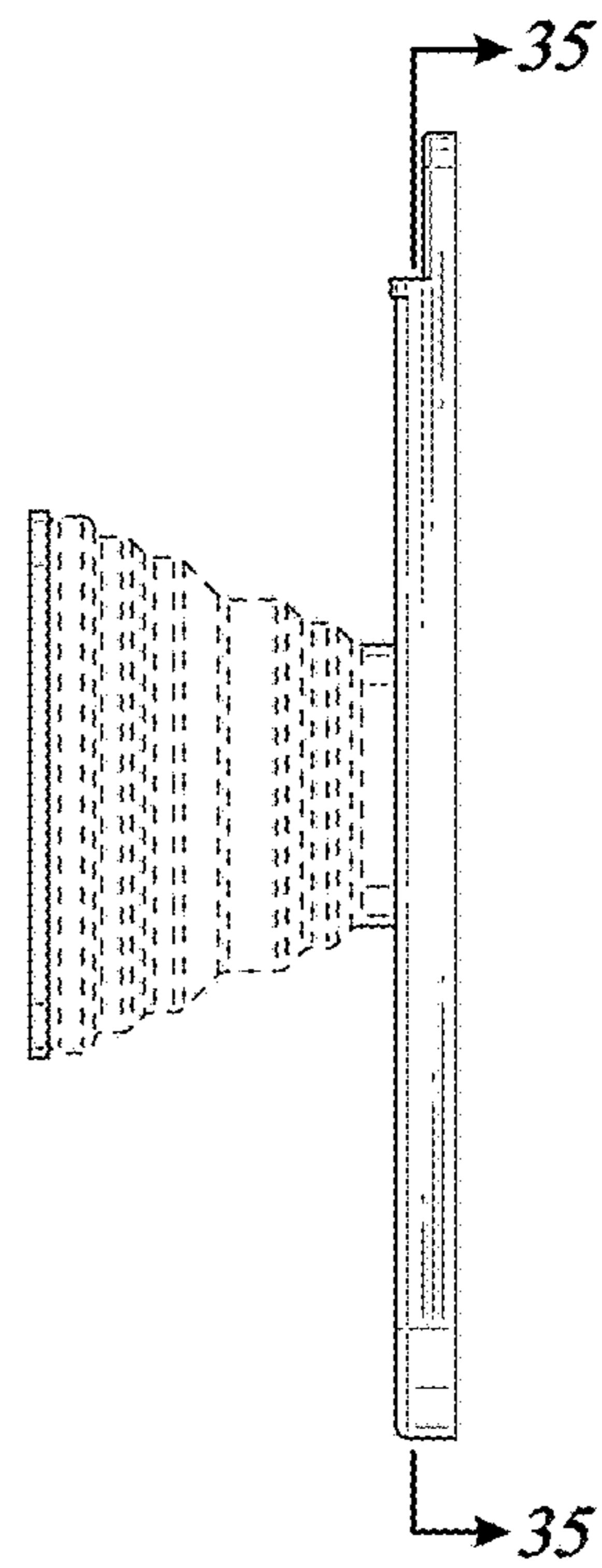


FIG. 31

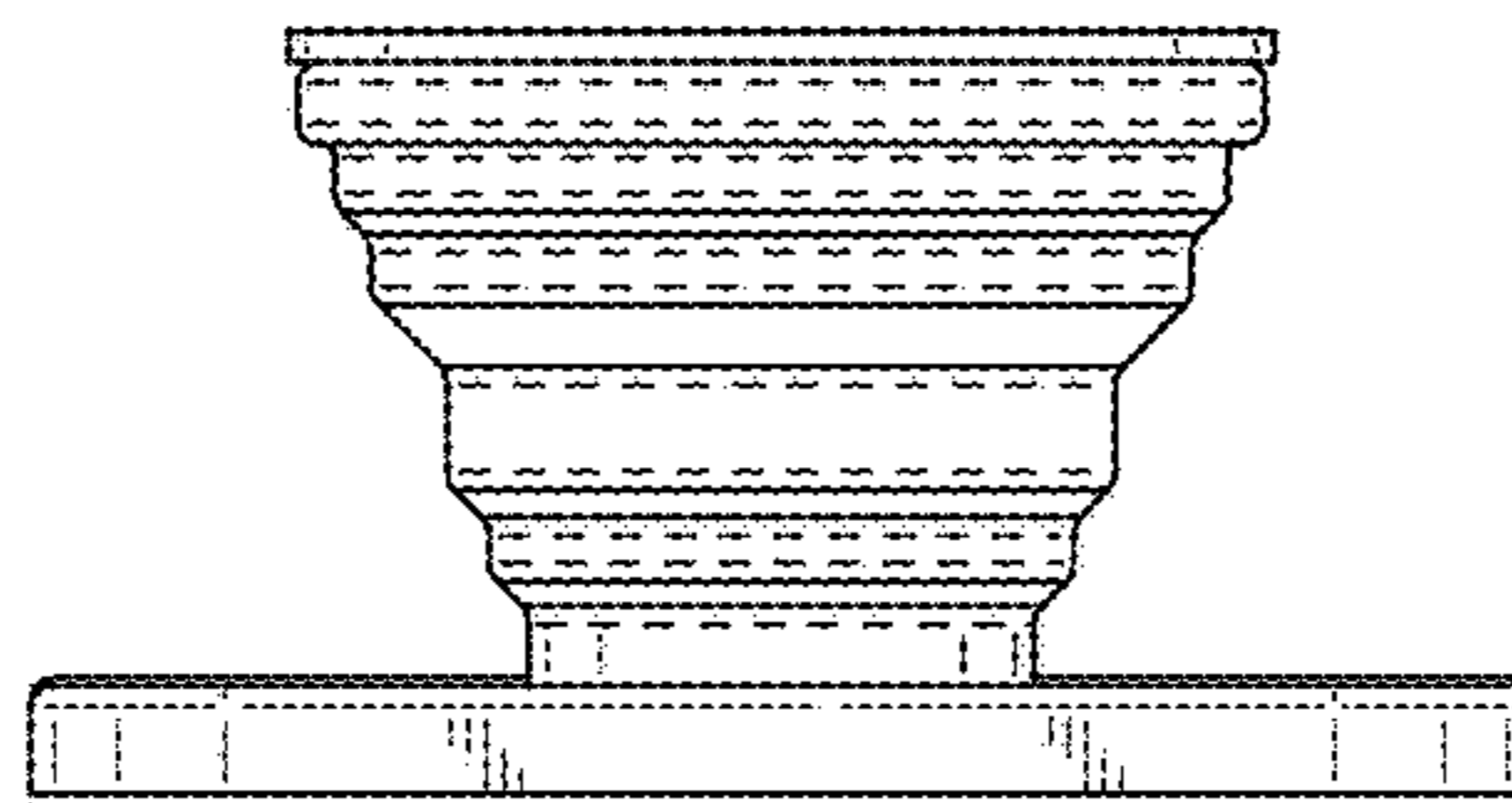


FIG. 33

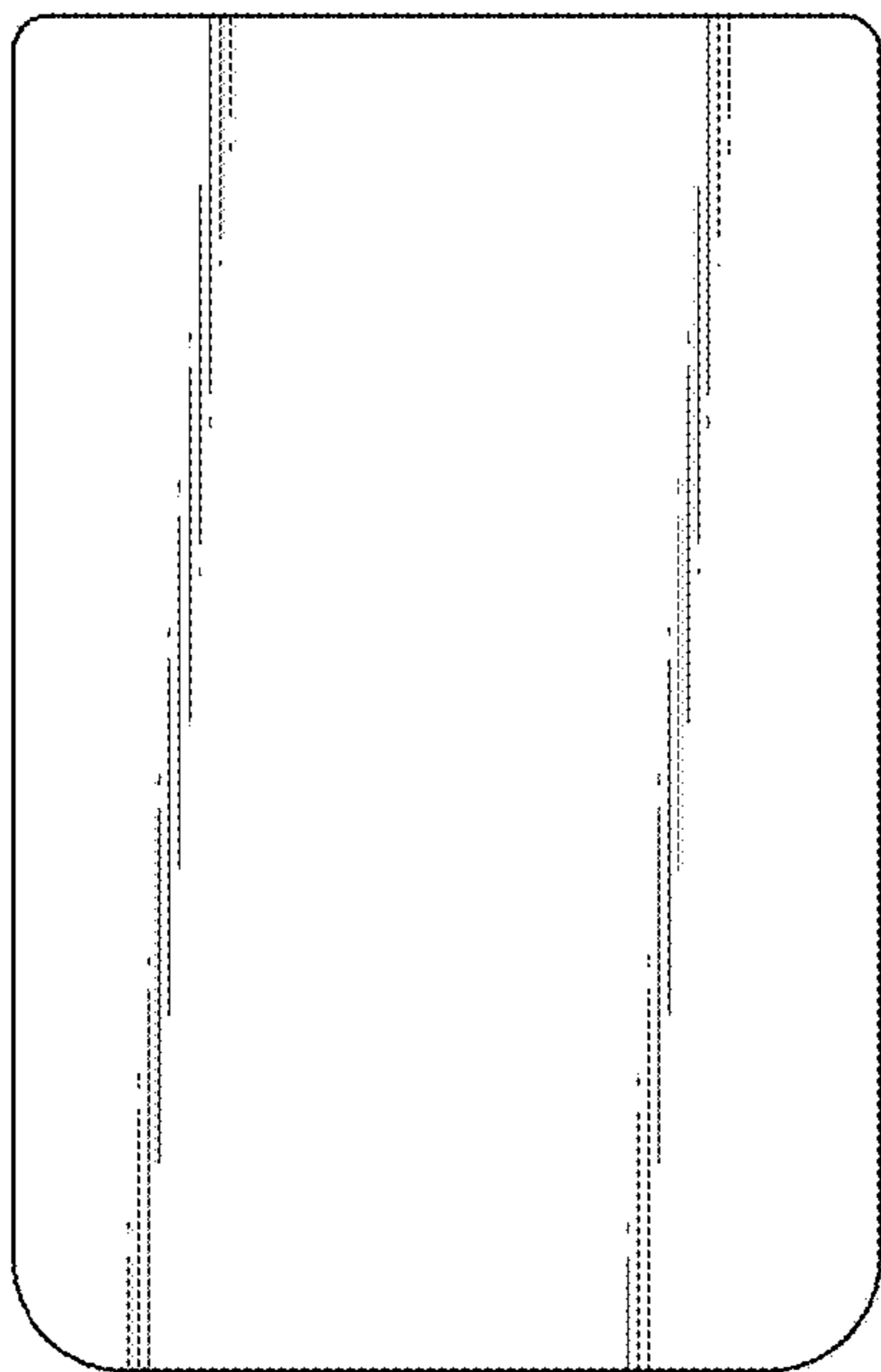


FIG. 34

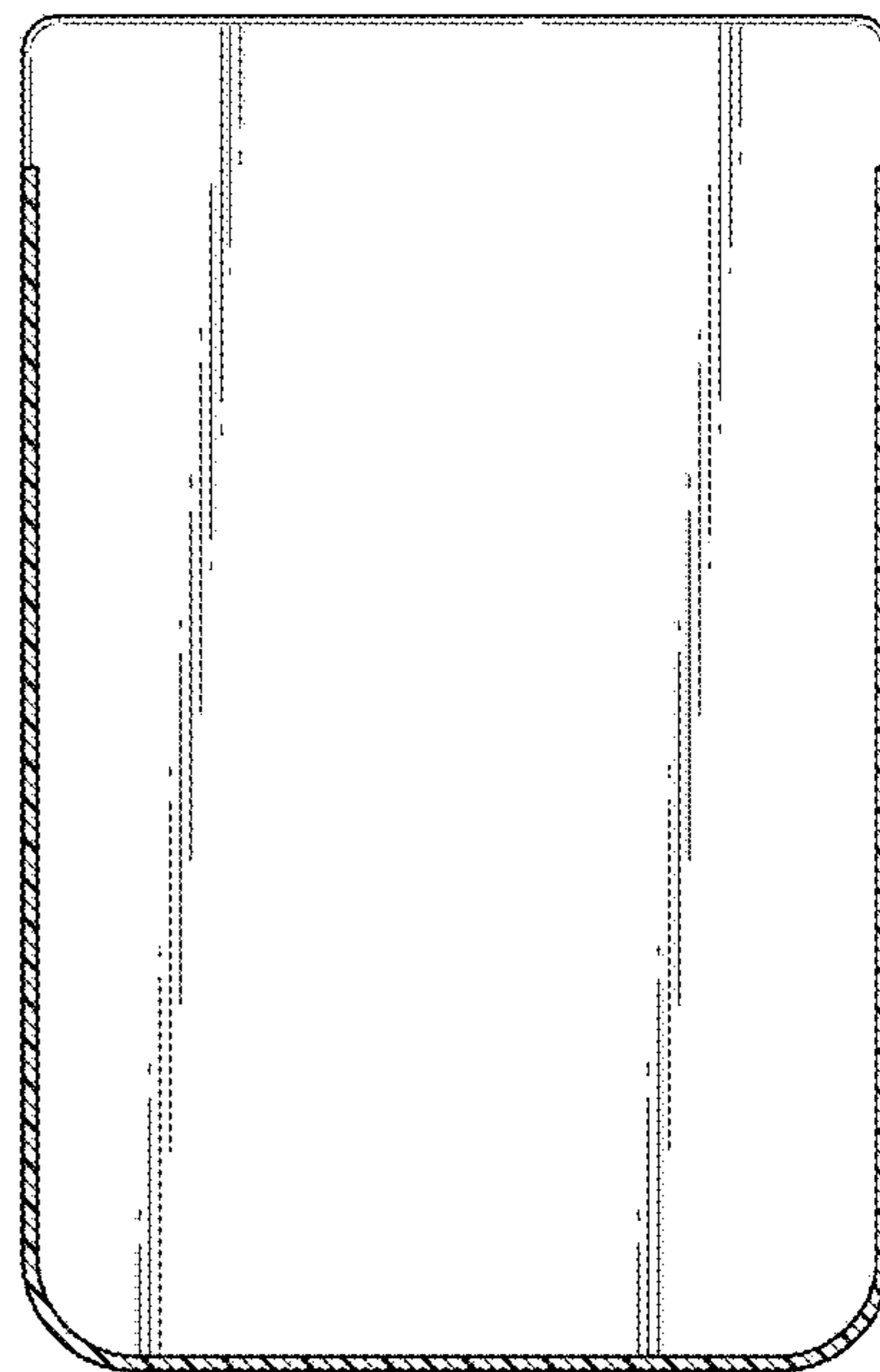


FIG. 35

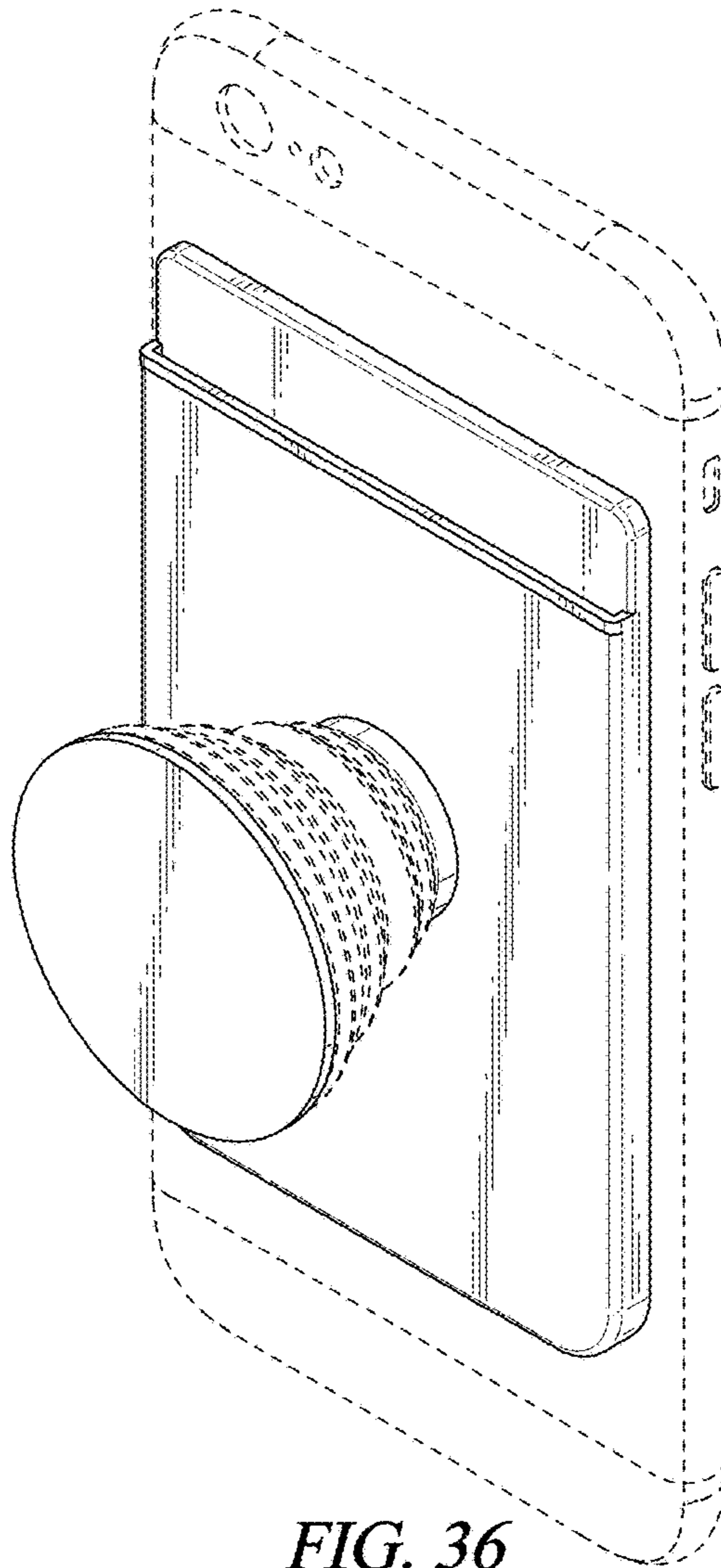


FIG. 36