



US00D847802S

(12) **United States Design Patent** (10) **Patent No.:** **US D847,802 S**
Kim et al. (45) **Date of Patent:** **** May 7, 2019**

(54) **STAND FOR TV RECEIVER**

(71) Applicant: **LG ELECTRONICS INC.**, Seoul (KR)
 (72) Inventors: **Taeho Kim**, Seoul (KR); **Jongchul Kim**, Seoul (KR); **Bumsang Lee**, Seoul (KR); **Byungmu Huh**, Seoul (KR)
 (73) Assignee: **LG ELECTRONICS INC.**, Seoul (KR)
 (**) Term: **15 Years**

(21) Appl. No.: **35/502,935**

(22) Filed: **Nov. 8, 2016**

(80) **Hague Agreement Data**

Int. Filing Date: **Nov. 8, 2016**
 Int. Reg. No.: **DM/093431**
 Int. Reg. Date: **Nov. 8, 2016**
 Int. Reg. Pub. Date: **May 12, 2017**

(30) **Foreign Application Priority Data**

May 16, 2016 (KR) 30-2016-0023222

(51) **LOC (11) Cl.** **14-03**

(52) **U.S. Cl.**
USPC **D14/239**

(58) **Field of Classification Search**

USPC D14/238, 239, 125-134, 371, 374-377, D14/440, 451, 336, 251-253, 447, 434, D14/432, 439, 457, 142, 217, 209.1; D6/300, 672, 407, 567; D8/349; D12/223, 420; D20/10, 19, 39; D16/242-245, 250, 214; D21/329, 515; D10/26
 CPC F16M 11/00; F16M 11/04; F16M 11/043; F16M 11/10; F16M 13/00; H04M 1/04; H04M 1/06; G06F 1/1601; G06F 1/1643; H05K 5/0004; H05K 5/0017; H05K 5/02; H05K 5/0217

See application file for complete search history.

(56) **References Cited**

U.S. PATENT DOCUMENTS

D718,274 S *	11/2014	Shadovitz	D14/209.1
D723,012 S *	2/2015	Ann	D14/239
D737,805 S *	9/2015	Park	D14/239
D748,080 S *	1/2016	Jung	D14/239
D755,164 S *	5/2016	Lee	D14/239
D759,002 S *	6/2016	Won	D14/239
D760,678 S *	7/2016	Cho	D14/126
D774,482 S *	12/2016	Hong	D14/126
D784,983 S *	4/2017	Kim	D14/374
D784,984 S *	4/2017	Lim	D14/374
D788,782 S *	6/2017	Lim	D14/451

(Continued)

FOREIGN PATENT DOCUMENTS

WO D093967-001 * 12/2016

Primary Examiner — Barbara Fox

Assistant Examiner — Dana K Weiland

(74) *Attorney, Agent, or Firm* — Birch, Stewart, Kolasch & Birch, LLP

(57) **CLAIM**

The ornamental design for a stand for TV receiver, as shown and described.

DESCRIPTION

1. Stand for TV receiver

1.1 : Perspective

1.2 : Front

1.3 : Back

1.4 : Left

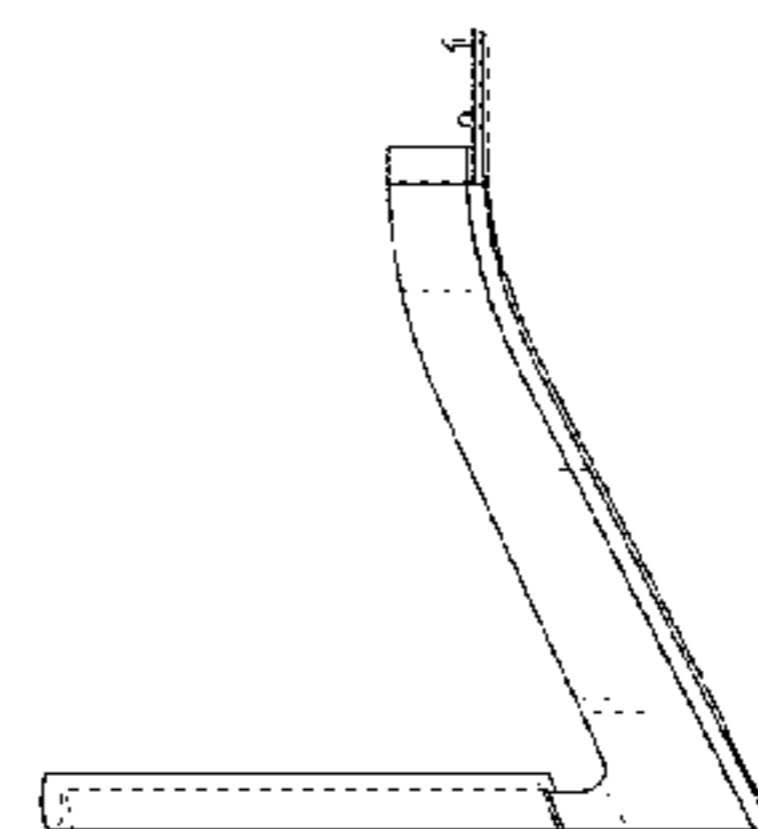
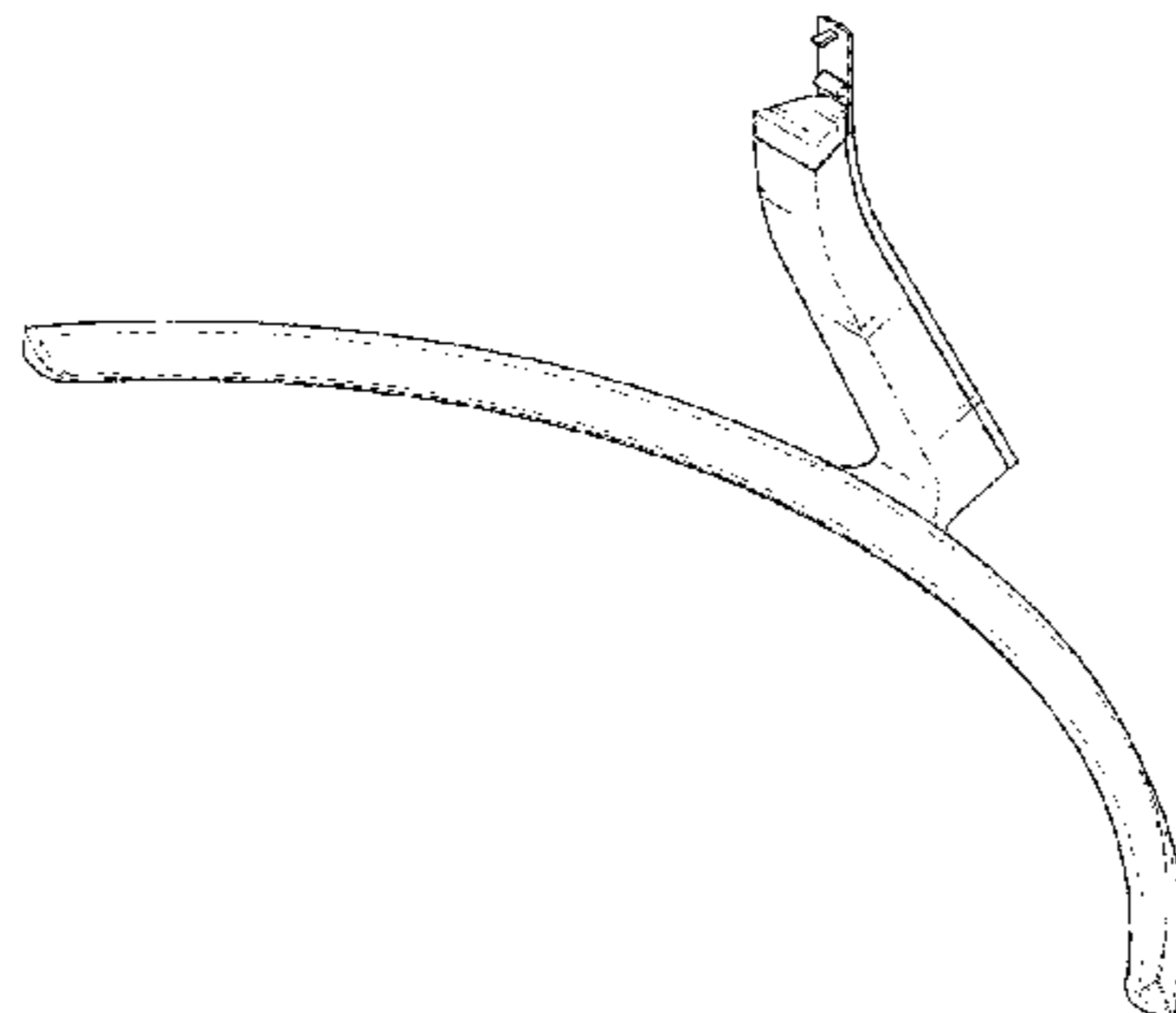
1.5 : Right

1.6 : Top

1.7 : Bottom

The broken lines shown in reproductions **1.3** and **1.6** depict portions of the stand for TV receiver that form no part of the claimed design.

1 Claim, 4 Drawing Sheets



(56)

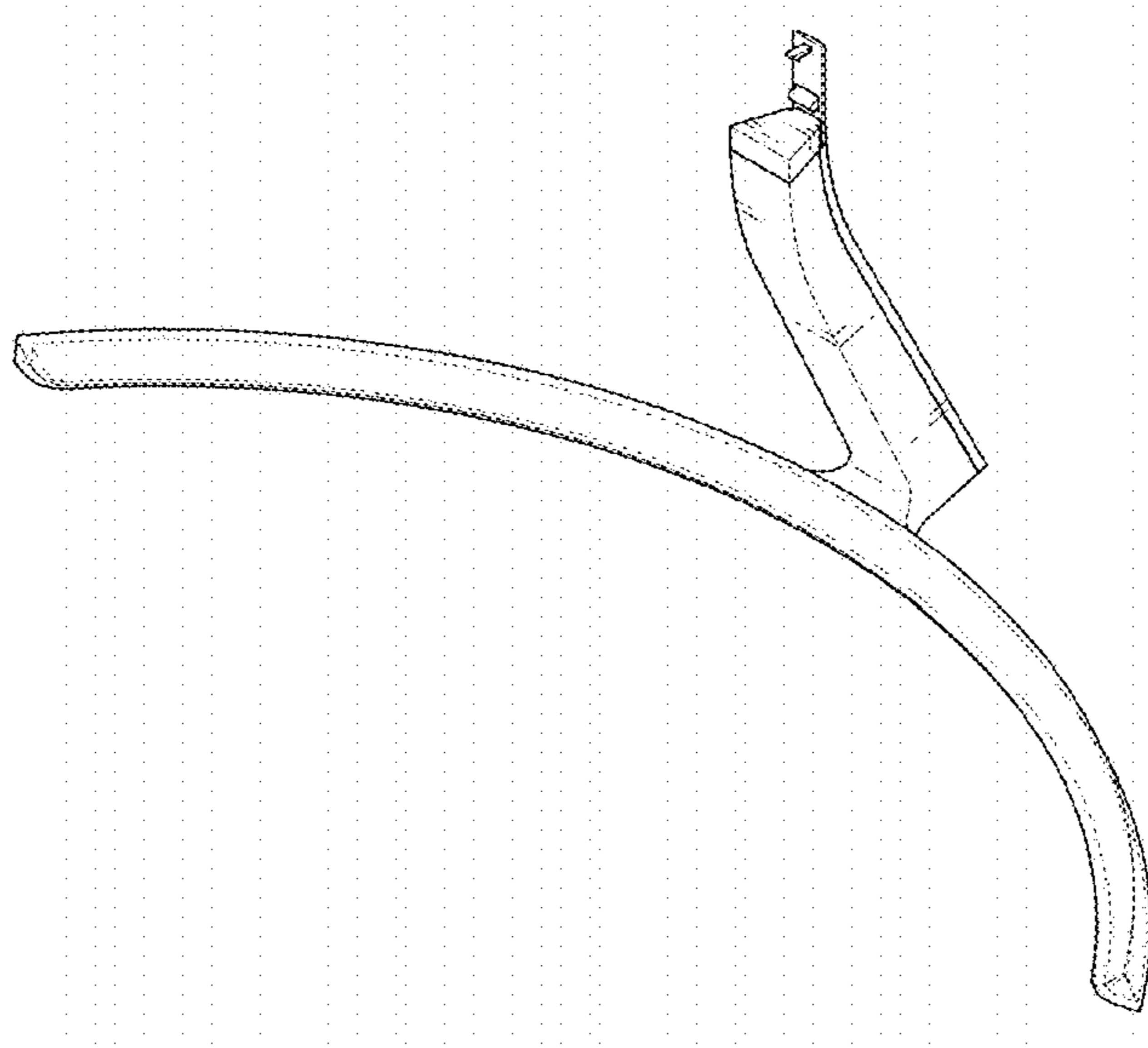
References Cited

U.S. PATENT DOCUMENTS

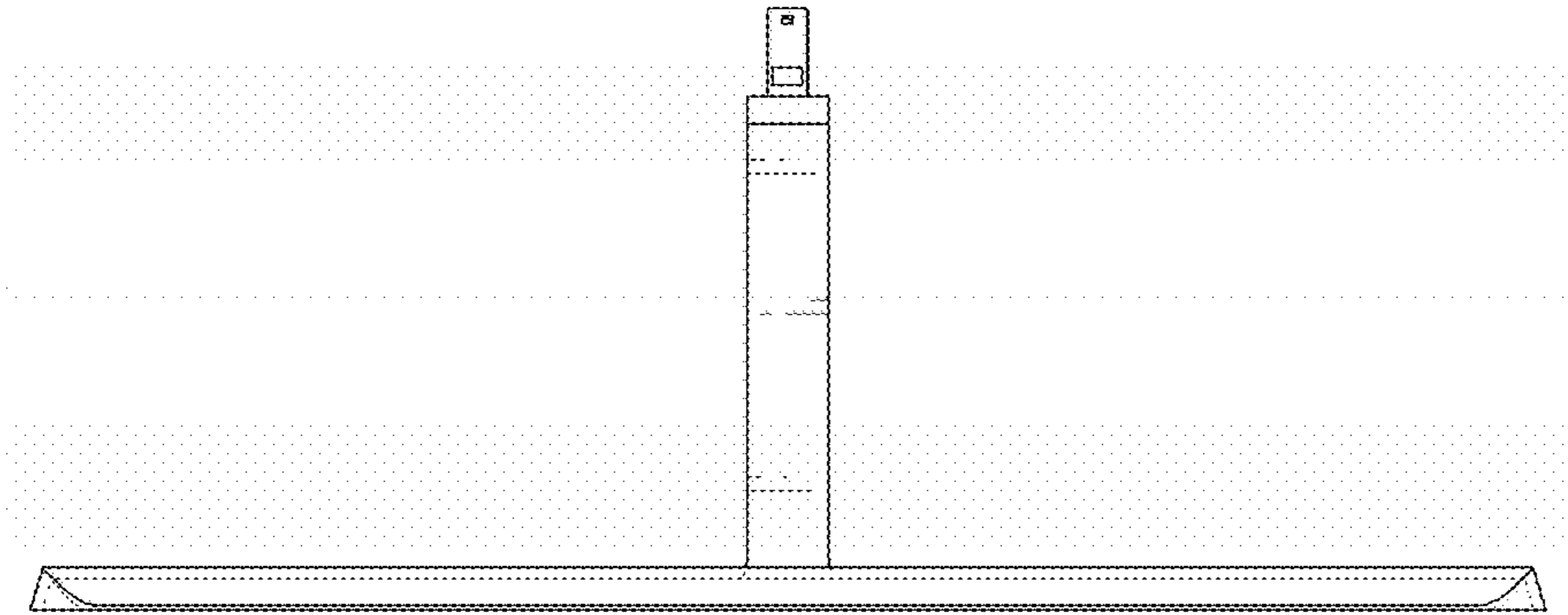
D789,098	S	*	6/2017	Cisler, II	D6/300
D791,130	S	*	7/2017	Oh	D14/374
D791,131	S	*	7/2017	Oh	D14/374
D796,465	S	*	9/2017	Kim	D14/126
D798,254	S	*	9/2017	Kim	D14/126
D805,504	S	*	12/2017	Seo	D14/239
D806,662	S	*	1/2018	Lee	D14/126
D808,353	S	*	1/2018	Lee	D14/126
D808,941	S	*	1/2018	Lee	D14/239
D822,012	S	*	7/2018	Lee	D14/239
D823,843	S	*	7/2018	Kim	D14/239
D824,890	S	*	8/2018	Kim	D14/239
D824,891	S	*	8/2018	Kim	D14/239

* cited by examiner

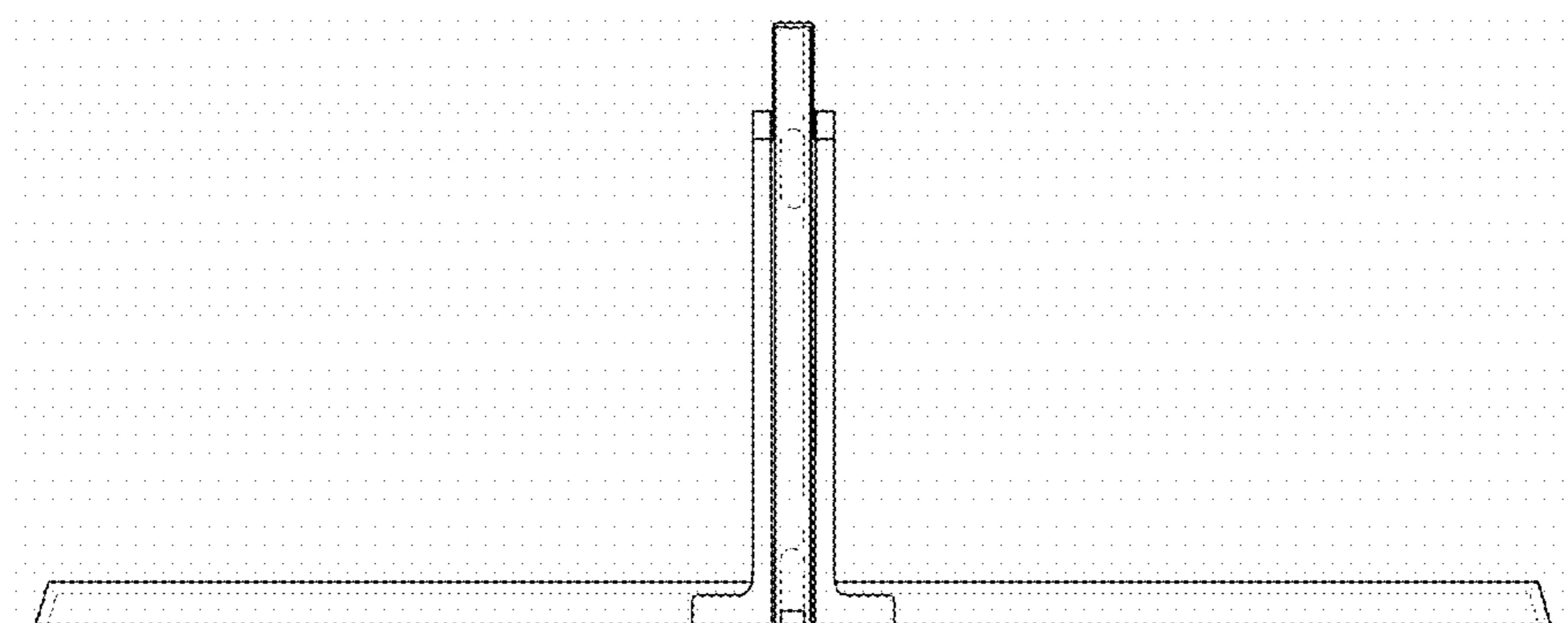
1.1



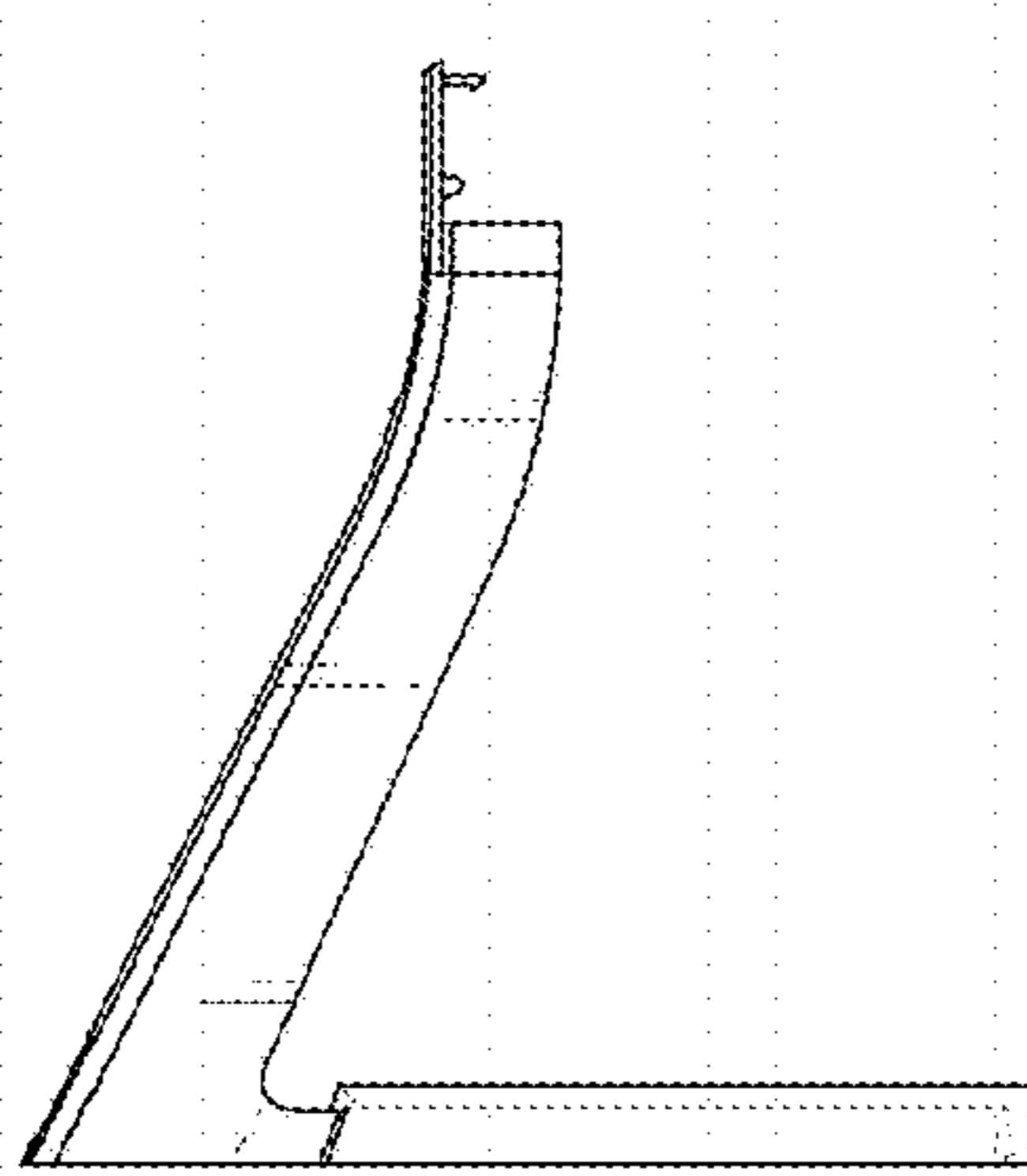
1.2



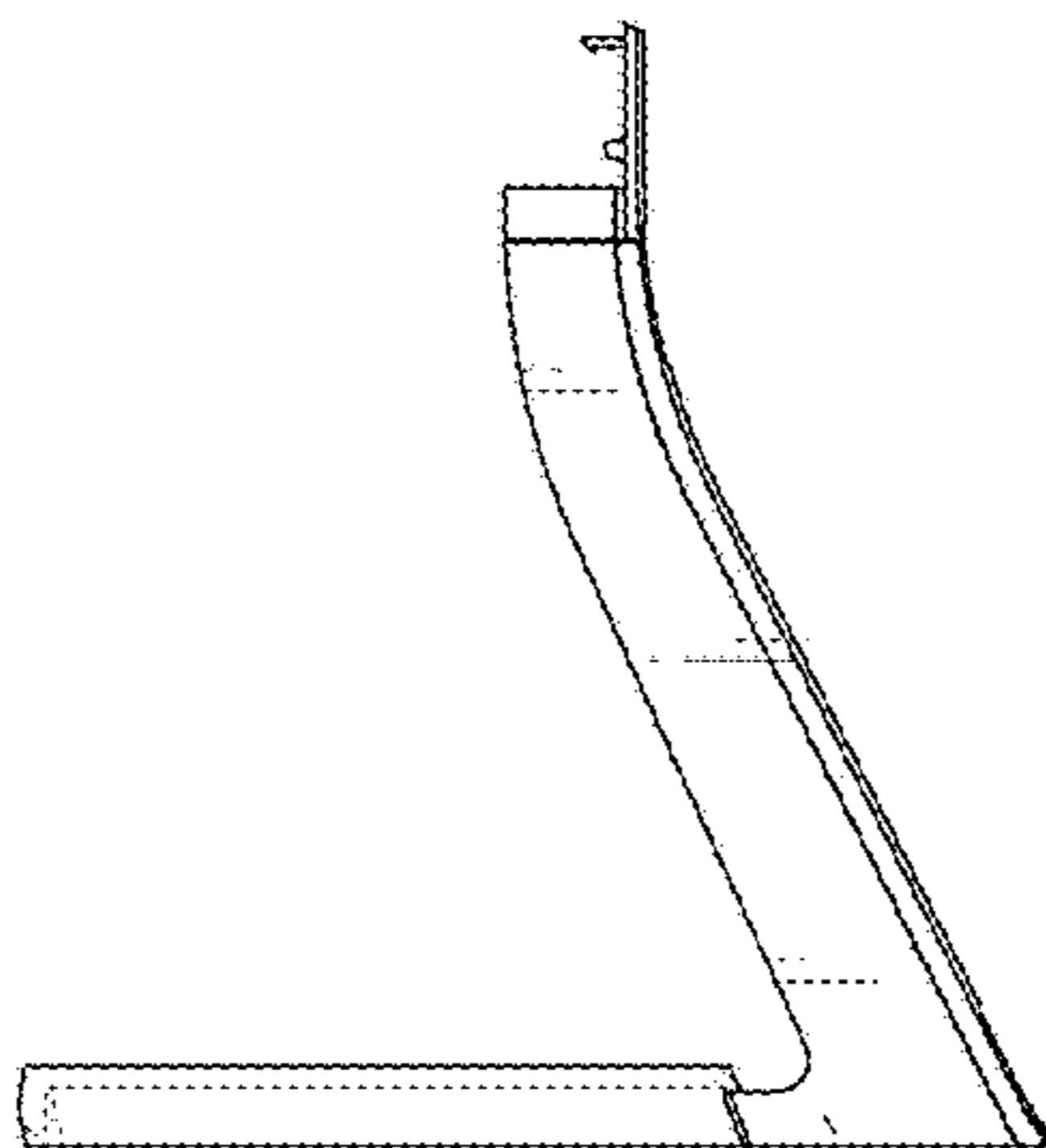
1.3



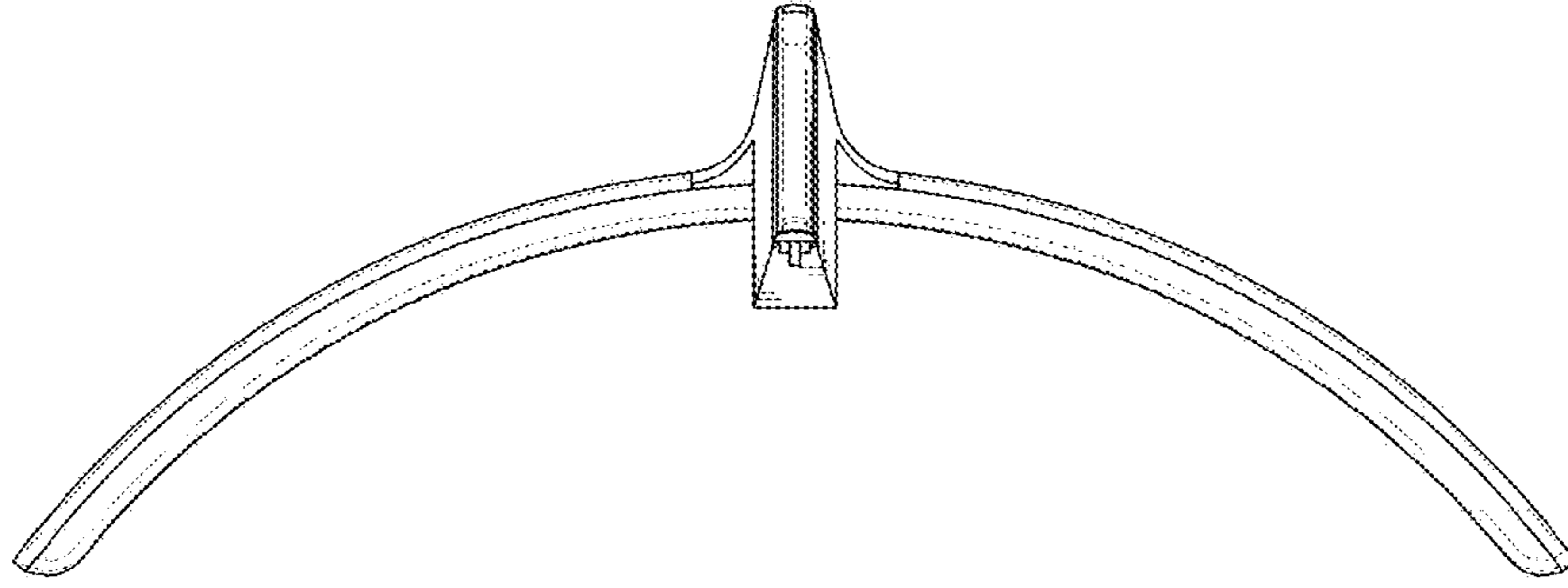
1.4



1.5



1.6



1.7

