



US00D847801S

(12) **United States Design Patent**
Wengreen

(10) **Patent No.:** **US D847,801 S**

(45) **Date of Patent:** **** May 7, 2019**

- (54) **MOUNT FOR ELECTRONICS DEVICES**
- (71) Applicant: **Innovelis, Inc.**, Sammamish, WA (US)
- (72) Inventor: **Eric John Wengreen**, Sammamish, WA (US)
- (73) Assignee: **Innovelis, Inc.**, Sammamish, WA (US)
- (**) Term: **15 Years**

3,477,679 A	11/1969	Lovitz
3,990,617 A	11/1976	Carter
D242,766 S	12/1976	Neece
4,067,532 A	1/1978	Viteretto
4,158,450 A	6/1979	Suzuki
4,467,244 A	8/1984	Dickie
4,519,656 A	5/1985	Raz

(Continued)

- (21) Appl. No.: **29/611,436**
- (22) Filed: **Jul. 21, 2017**
- (51) **LOC (11) Cl.** **14-03**
- (52) **U.S. Cl.**
USPC **D14/238.1**; D14/447; D14/251
- (58) **Field of Classification Search**
USPC D14/250-254, 172, 192, 203.3-203.7, D14/217, 224, 224.1, 229, 238, 238.1, D14/299, 447, 483, 451, 452; D13/103, D13/107, 108, 119; D3/201, 218, 226; D16/242; D10/74; D8/382, 349; D6/567
CPC .. H04M 1/026; H04M 1/0295; H04M 1/0279; H04M 1/0281; H04M 1/0283; H04B 1/3877; H04B 1/3883; H04B 1/3888; A45F 2200/0516; A45F 2200/0525; A45C 11/00; A45C 2011/002; A45C 13/1069; H05K 5/02; H05K 5/0204; H05K 5/0073; H05K 7/14
See application file for complete search history.

(56) **References Cited**

U.S. PATENT DOCUMENTS

1,618,573 A	2/1927	Cole
2,584,646 A	2/1952	Wagstaff
3,091,378 A	5/1963	O'Dwyer
D196,542 S	10/1963	Zelnick
3,176,950 A	4/1965	Hittesdorf
3,279,009 A	10/1966	Teasdale
3,294,298 A	12/1966	Danielson

OTHER PUBLICATIONS

TotalMount Apple TV Mounting Shelf, amazon online, date first listed Jun. 26, 2014, <URL: https://www.amazon.com/TotalMount-Apple-Mounting-Compatible-generation/dp/B00LBIOQFA/ref=sr_1_5?ie=UTF8&qid=1549986318&sr=8-5&keywords=innovelis>, retrieved Feb. 12, 2019.*

(Continued)

Primary Examiner — Jeffrey D Asch
Assistant Examiner — Rebekah A Caruso

(57) **CLAIM**

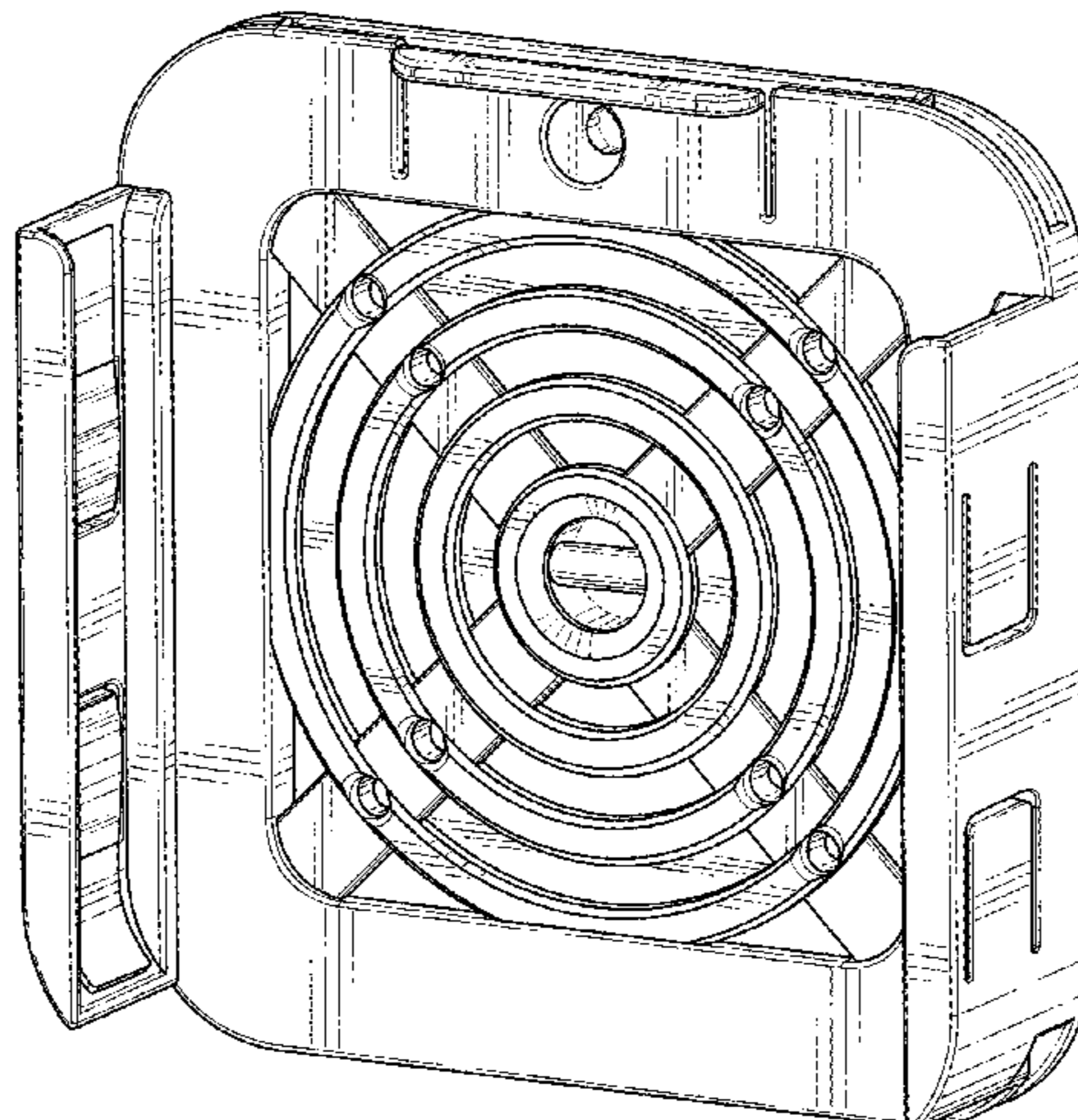
The ornamental design for a mount for electronic devices, as shown and described.

DESCRIPTION

FIG. 1 is a top, front, and first-side perspective view of a mount for electronic devices embodying the new design; FIG. 2 is a top, front, and second-side perspective view thereof; FIG. 3 is a back, first-side, and bottom perspective view thereof; FIG. 4 is a front view thereof; FIG. 5 is a back view thereof; FIG. 6 is a second-side view thereof; FIG. 7 is a first-side view thereof; FIG. 8 is a top view thereof; and, FIG. 9 is a bottom view thereof.

The uniform repeating broken lines depict portions of a mount for electronic devices in which the claimed design is embodied and form no part of the claimed design.

1 Claim, 9 Drawing Sheets



(56)

References Cited

U.S. PATENT DOCUMENTS

D280,466 S	9/1985	Seltzer	7,145,603 B2	12/2006	Whitby
D282,034 S	1/1986	Janke	D535,826 S	1/2007	Toghanian
4,602,761 A	7/1986	Carter	D536,239 S	2/2007	Tallman
4,697,780 A	10/1987	Wenkman	7,222,762 B2	5/2007	Rees
4,746,042 A	5/1988	King	D545,343 S	6/2007	Braun
4,771,927 A	9/1988	Ventura	D547,863 S	7/2007	Heinsch
4,815,683 A	3/1989	Ferrante	D551,008 S	9/2007	Hidalgo
4,825,590 A	5/1989	Cullinane	D553,352 S	10/2007	Allen
4,826,115 A	5/1989	Novitski	D557,266 S	12/2007	Hughes
4,840,773 A	6/1989	Wade	D560,411 S	1/2008	Chung
4,852,843 A	8/1989	Chandler	D564,529 S	3/2008	Hughes
4,974,764 A	12/1990	Cantwell	D565,399 S	4/2008	Grey
D317,157 S	5/1991	Jondelius	D568,889 S	5/2008	Hughes
5,038,985 A	8/1991	Chapin	7,367,089 B2	5/2008	Cooke
5,092,395 A	3/1992	Amidzich	D570,801 S	6/2008	Allen
5,227,582 A	7/1993	Velasco	D586,795 S	2/2009	Richter
5,273,690 A	12/1993	McDowell	D596,172 S	7/2009	Ahlqvist
5,297,318 A	3/1994	Adolphson	D598,945 S	8/2009	Gillespie
D351,341 S	10/1994	Hung	7,580,255 B2	8/2009	Crooijmans
5,385,282 A	1/1995	Chen	D601,000 S	9/2009	Cole
5,400,990 A	3/1995	Frankel	D609,030 S	2/2010	Barabas
D359,288 S *	6/1995	Underwood D14/244	D610,579 S	2/2010	Behar
D359,616 S	6/1995	Ishibashi	D624,949 S	10/2010	Nakayama
D361,335 S	8/1995	Rudkiewicz	D625,729 S	10/2010	McNames
D361,462 S	8/1995	Newham	D628,611 S	12/2010	Lewis
D369,465 S	5/1996	Scheid	7,854,420 B2	12/2010	Depay
5,535,093 A	7/1996	Noguchi	D633,503 S	3/2011	Bo
D376,787 S	12/1996	Calfee	7,959,121 B1	6/2011	Barnes
5,593,124 A	1/1997	Wang	7,980,435 B2	7/2011	Tages
5,619,395 A	4/1997	McBride	D648,727 S	11/2011	Van Den Nieuwenhuizen
5,619,774 A	4/1997	Perry	D657,362 S	4/2012	Lister
D388,107 S	12/1997	Huckins	D662,491 S	6/2012	Andre
D390,849 S	2/1998	Richter	D667,411 S	9/2012	Kim
5,850,998 A	12/1998	Parsey	D669,890 S	10/2012	Hopkins
D407,408 S	3/1999	Hoff	D672,308 S	12/2012	Cobbett
D409,079 S	5/1999	Sobczynski	8,322,584 B2	12/2012	Dethmers
5,899,371 A	5/1999	Weliver	D686,629 S	7/2013	Trinh
D411,542 S	6/1999	Richter	D690,707 S	10/2013	Minn
5,914,707 A	6/1999	Kono	8,544,805 B2	10/2013	Virgin
5,961,083 A	10/1999	Hartman	D695,748 S	12/2013	Morris
5,979,724 A	11/1999	Loewenthal	D700,832 S	3/2014	Ng
D420,149 S	2/2000	Hersh	D705,229 S	5/2014	Wengreen
6,039,173 A	3/2000	Crow	D710,340 S	8/2014	Wengreen
D425,353 S	5/2000	Foy	D710,363 S	8/2014	Wengreen
6,073,901 A	6/2000	Richter	D710,836 S	8/2014	Wengreen
6,102,660 A	8/2000	Lee	D712,239 S	9/2014	Booth
6,105,923 A	8/2000	Robertson	D712,906 S	9/2014	Wengreen
D431,250 S	9/2000	Richter	D713,395 S	9/2014	Godycki
6,163,997 A	12/2000	Deralas	D713,399 S	9/2014	Green
6,193,546 B1	2/2001	Sadler	8,847,549 B2	9/2014	Graham
D443,493 S	6/2001	Skeem	8,848,113 B2	9/2014	Wengreen
6,275,885 B1	8/2001	Chin	D714,793 S	10/2014	Kim
6,336,615 B1	1/2002	Jeon	D716,580 S	11/2014	Wengreen
D456,024 S	4/2002	Richter	D717,307 S	11/2014	Chun
D456,413 S	4/2002	Malson	D717,804 S	11/2014	Budge
6,445,290 B1	9/2002	Fingal	8,896,768 B1	11/2014	Wengreen
6,485,144 B1	11/2002	Liao	8,934,060 B1	1/2015	Wengreen
D471,547 S	3/2003	Ruohonen	8,934,061 B1	1/2015	Wengreen
6,554,527 B1	4/2003	O'Donnell	8,939,417 B1	1/2015	Wengreen
6,560,983 B1	5/2003	Schimmeyer	D723,042 S	2/2015	Lee
6,691,374 B2	2/2004	Coyne	8,988,616 B2	3/2015	Wengreen
6,888,940 B1	5/2005	Deppen	D729,544 S	5/2015	Wengreen
D508,605 S	8/2005	Shih-Ming	D732,939 S	6/2015	Cannaverde
6,939,641 B2	9/2005	Kincaid	D733,105 S	6/2015	Wengreen
6,983,126 B1	1/2006	Saalman	D733,542 S	7/2015	Cannaverde
D518,704 S	4/2006	Miao	D733,691 S	7/2015	Wengreen
7,047,601 B1	5/2006	Vernon-Woods	D734,305 S	7/2015	Wengreen
7,067,737 B2	6/2006	Mallen	D735,174 S	7/2015	Wengreen
7,079,384 B2	7/2006	Wang	D739,410 S	9/2015	Chun
7,080,764 B2	7/2006	McNicholas	9,131,195 B2	9/2015	Wengreen
7,113,218 B2	9/2006	Battles	D742,387 S	11/2015	Xiang
D529,713 S	10/2006	Guyot	9,185,953 B2	11/2015	Whitten
D529,905 S	10/2006	Richter	D746,599 S	1/2016	Olson
D530,713 S	10/2006	Richter	D749,549 S	2/2016	Wengreen
D533,175 S	12/2006	Richter	D749,597 S	2/2016	Wengreen
			D750,633 S	3/2016	Minn
			D751,563 S	3/2016	Wengreen
			D752,415 S	3/2016	Lu
			9,339,112 B2	5/2016	Wengreen

(56)

References Cited

U.S. PATENT DOCUMENTS

D759,005	S	6/2016	Murakami	
D761,236	S	7/2016	Wengreen	
D763,666	S	8/2016	Wengreen	
D763,835	S	8/2016	Wengreen	
D765,063	S	8/2016	Wengreen	
D765,064	S	8/2016	Wengreen	
D765,646	S	9/2016	Deng	
D765,651	S	9/2016	Liu	
D767,377	S	9/2016	Sekula	
D770,171	S	11/2016	Lai	
D772,217	S	11/2016	Alesi	
D777,167	S	1/2017	Wengreen	
9,543,082	B1	1/2017	Wengreen	
D779,466	S	2/2017	Wengreen	
9,578,960	B1	2/2017	Wu	
D795,820	S	8/2017	Wengreen	
D798,305	S *	9/2017	Wengreen	D14/447
D812,064	S *	3/2018	Wengreen	D14/434
D813,241	S *	3/2018	Wengreen	D14/434
D832,274	S *	10/2018	Wengreen	D14/447
D834,029	S *	11/2018	Wengreen	D14/447
2005/0023419	A1	2/2005	Frankel	
2005/0211861	A1	9/2005	Lee	
2005/0236541	A1	10/2005	Chang	
2006/0224575	A1	10/2006	Ostojic	
2007/0097617	A1	5/2007	Searby	
2007/0235609	A1	10/2007	Chun	
2007/0264169	A1	11/2007	Chen	
2008/0078793	A1	4/2008	Brown	

2009/0218454	A1	9/2009	Stanley	
2009/0296997	A1	12/2009	RocheFord	
2010/0270190	A1	10/2010	Howard	
2010/0281671	A1	11/2010	De Vaan	
2010/0288895	A1	11/2010	Shamie	
2010/0314277	A1	12/2010	Murray	
2011/0242439	A1	10/2011	Calderon	
2012/0126081	A1	5/2012	Wengreen	
2012/0127379	A1	5/2012	Wengreen	
2012/0168516	A1	7/2012	Bolger	
2012/0280014	A1	11/2012	Lopez-Apodaca	
2012/0312950	A1	12/2012	Sears	
2014/0061406	A1	3/2014	Chevalier	
2014/0103179	A1	4/2014	Lipke	
2014/0241705	A1	8/2014	Wengreen	
2015/0070835	A1	3/2015	McLean	
2015/0212544	A1	7/2015	Chen	
2015/0305502	A1	10/2015	Wengreen	
2016/0007735	A1	1/2016	Gallup	
2016/0119458	A1	4/2016	Gunther	
2016/0120295	A1	5/2016	Rowley	
2016/0218535	A1	7/2016	Prete	
2016/0234955	A1	8/2016	Wengreen	
2016/0241289	A1	8/2016	Wieth	
2017/0150620	A1	5/2017	Wengreen	
2017/0208945	A1	7/2017	Wengreen	

OTHER PUBLICATIONS

Apple TV, downloaded on Feb. 3, 2014 from <http://www.apple.com/appletv/what-is/>.

* cited by examiner

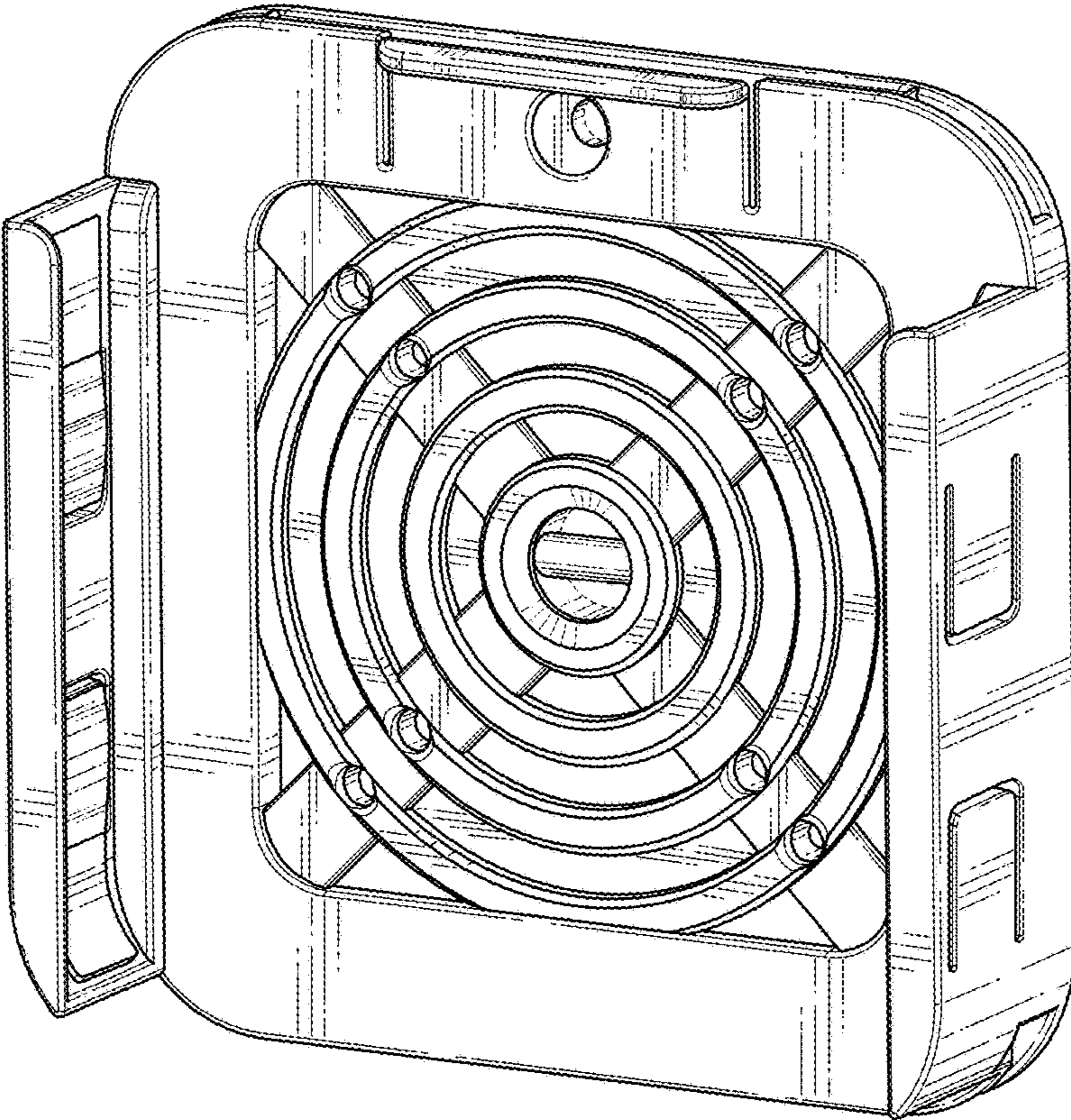


FIG. 1

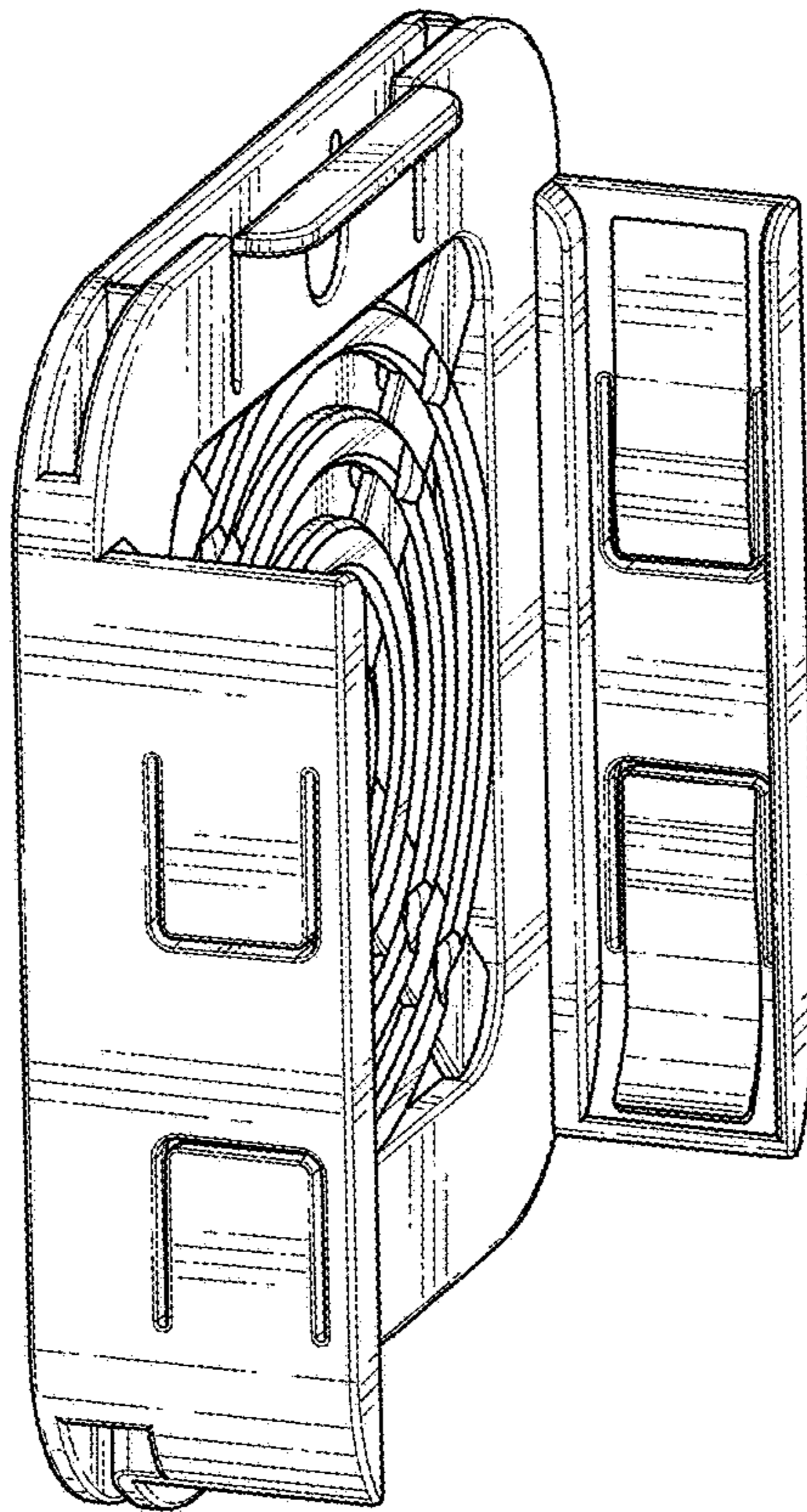


FIG. 2

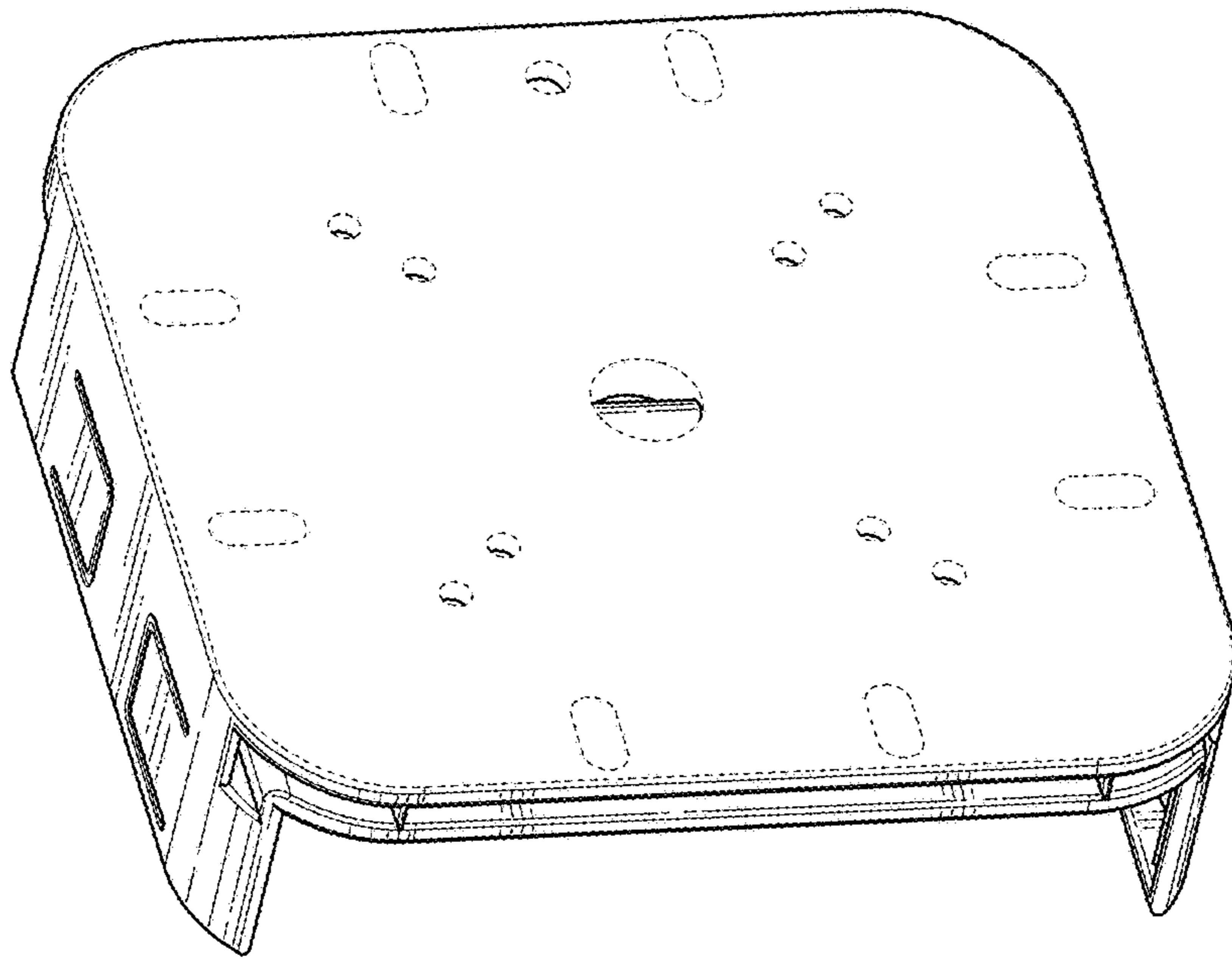


FIG. 3

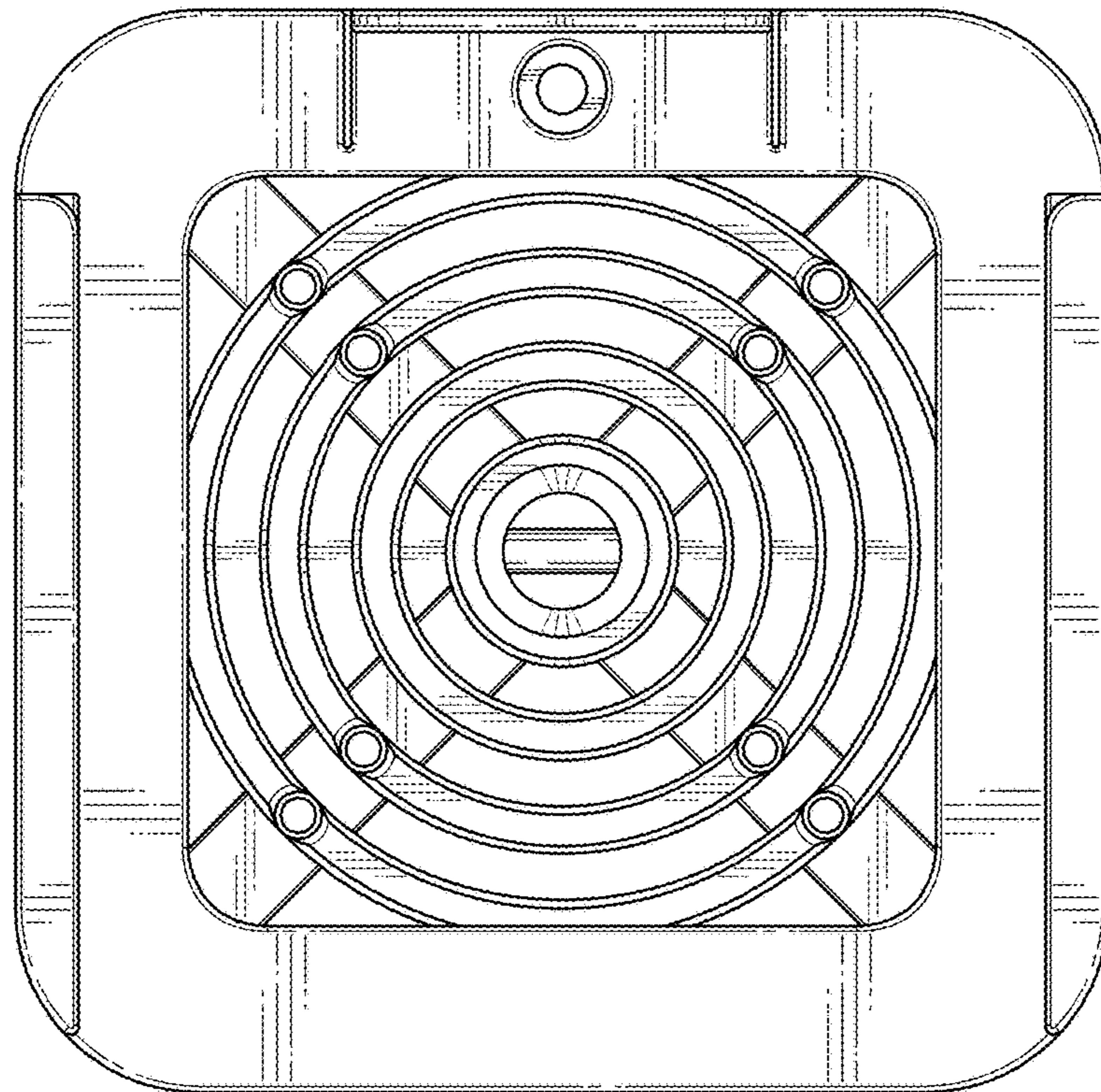


FIG. 4

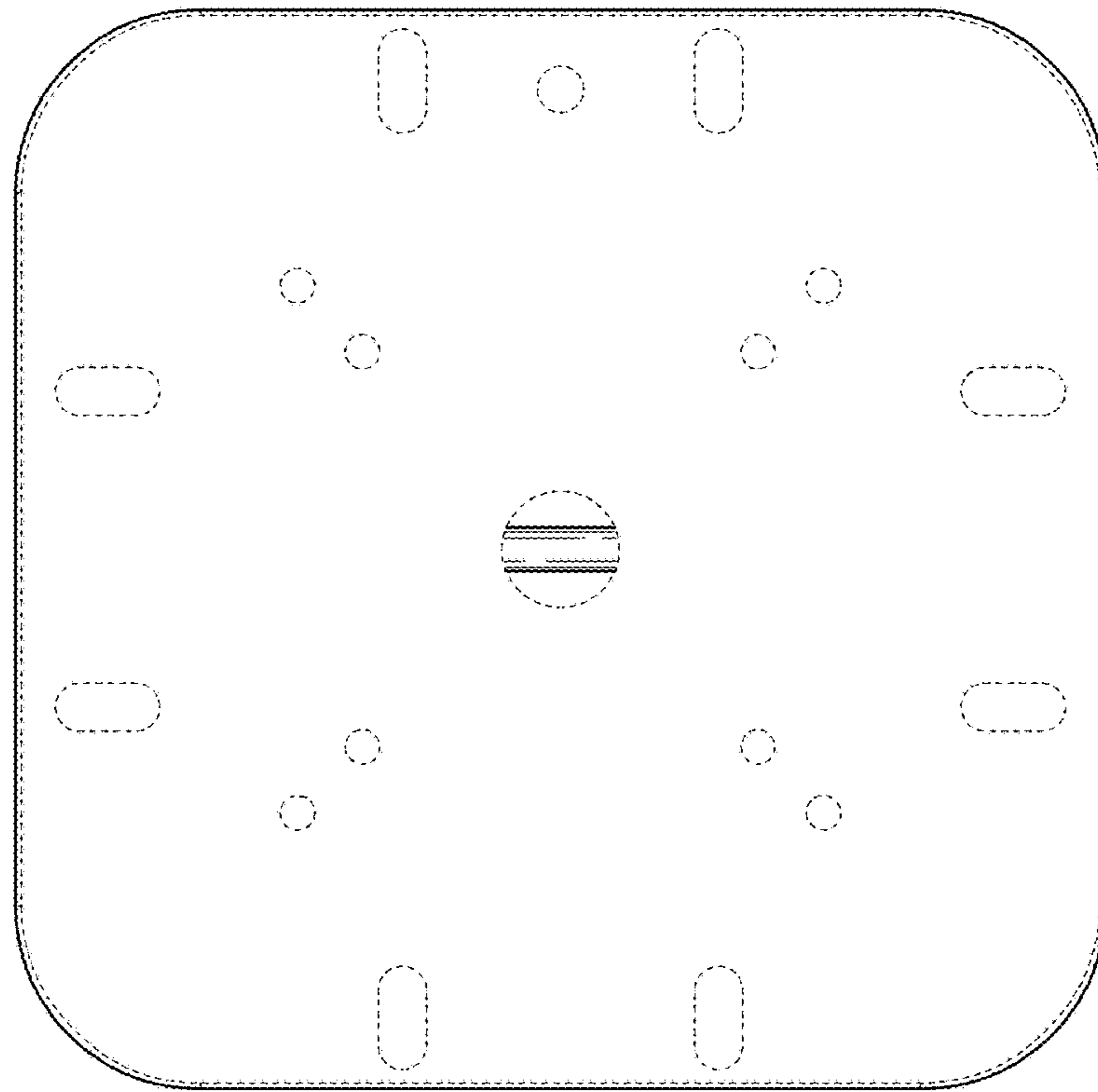


FIG. 5

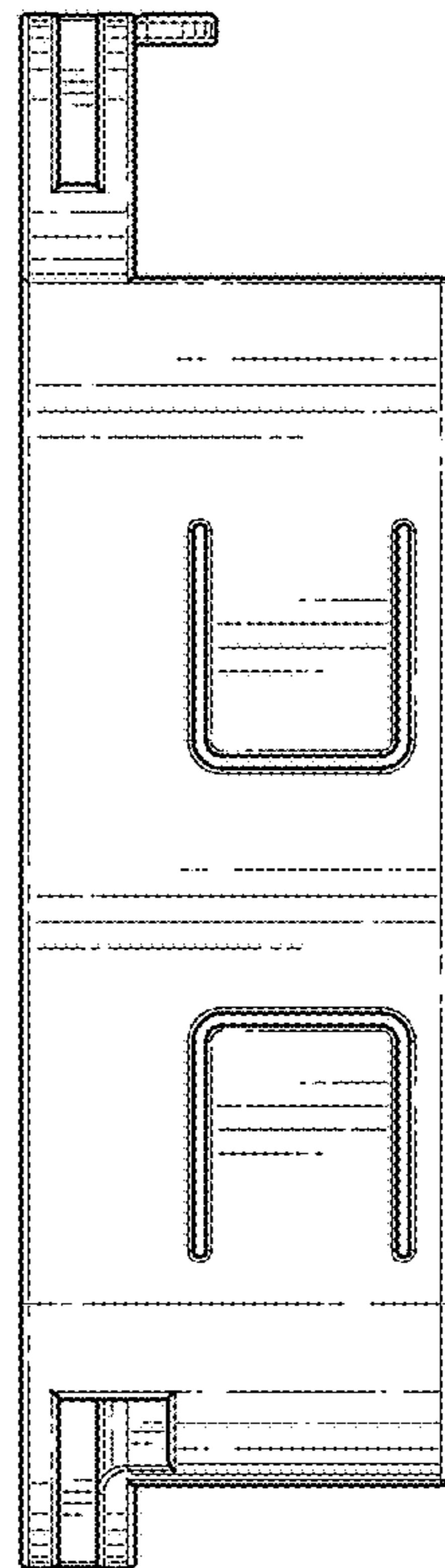


FIG. 6

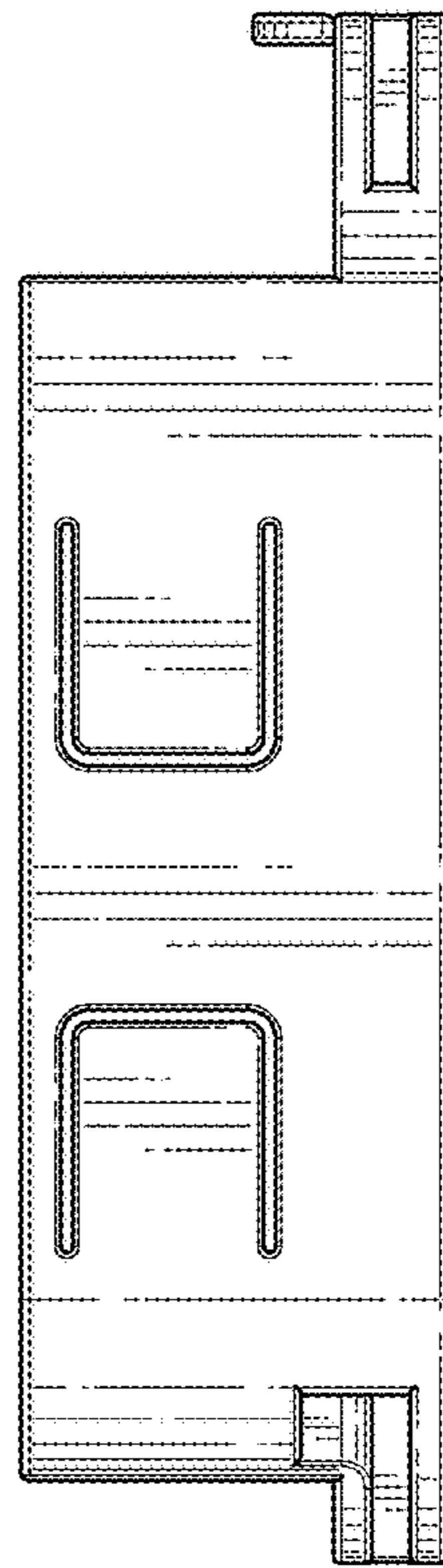


FIG. 7

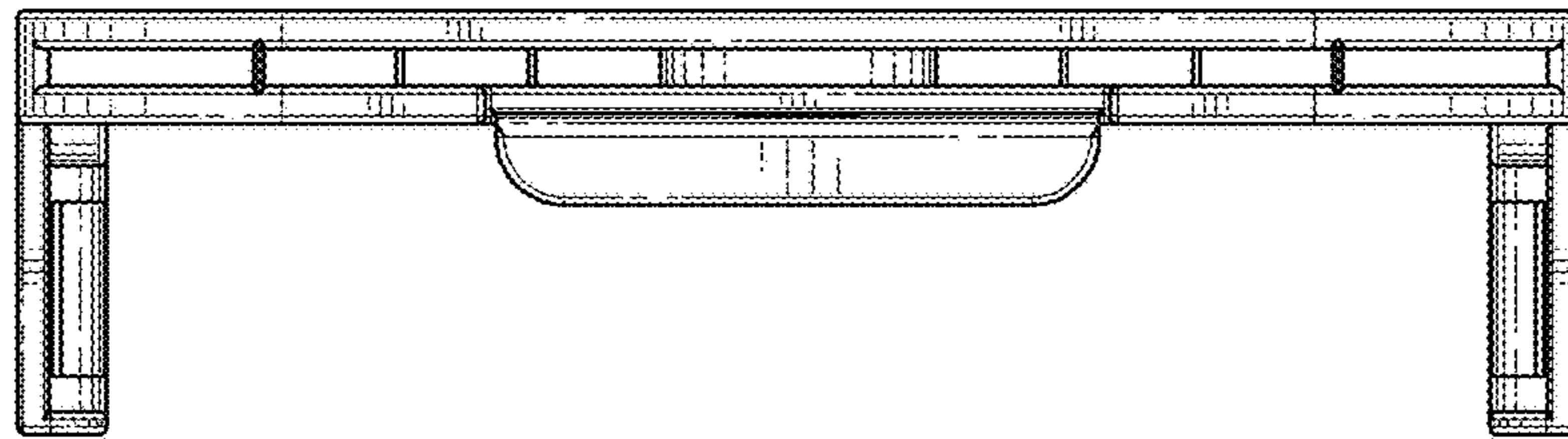


FIG. 8

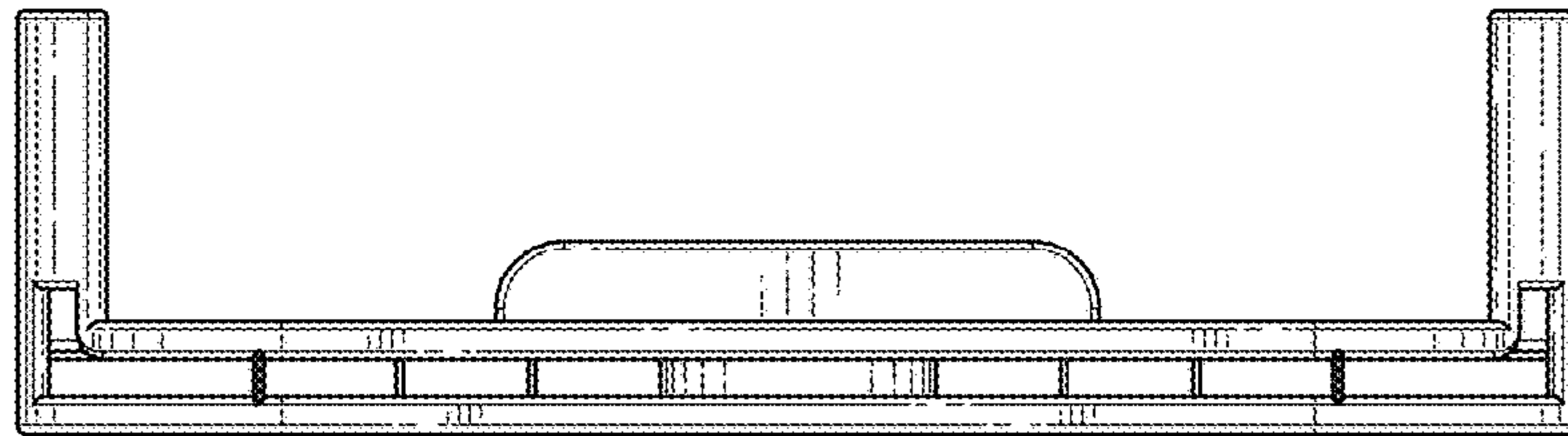


FIG. 9