



US00D847800S

(12) **United States Design Patent**
Wengreen

(10) **Patent No.:** **US D847,800 S**

(45) **Date of Patent:** **** May 7, 2019**

(54) **MOUNT FOR ELECTRONIC DEVICES**

(71) Applicant: **Innovelis, Inc.**, Sammamish, WA (US)

(72) Inventor: **Eric John Wengreen**, Sammamish, WA (US)

(73) Assignee: **Innovelis, Inc.**, Sammamish, WA (US)

(**) Term: **15 Years**

(21) Appl. No.: **29/610,816**

(22) Filed: **Jul. 15, 2017**

(51) **LOC (11) Cl.** **14-03**

(52) **U.S. Cl.**
USPC **D14/238.1**; D14/447; D14/251

(58) **Field of Classification Search**
USPC D14/250-254, 172, 192, 203.3-203.7,
D14/217, 224, 224.1, 229, 238, 238.1,
D14/299, 447, 483, 451, 452; D13/103,
D13/107, 108, 119; D3/201, 218, 226;
D16/242; D10/74; D8/382, 349;
D6/567

CPC .. H04M 1/026; H04M 1/0295; H04M 1/0279;
H04M 1/0281; H04M 1/0283; H04B
1/3877; H04B 1/3883; H04B 1/3888;
A45F 2200/0516; A45F 2200/0525; A45C
11/00; A45C 2011/002; A45C 13/1069;
H05K 5/02; H05K 5/0204; H05K 5/0073;
H05K 7/14

See application file for complete search history.

(56) **References Cited**

U.S. PATENT DOCUMENTS

1,618,573 A	2/1927	Cole
2,584,646 A	2/1952	Wagstaff
3,091,378 A	5/1963	O'Dwyer
D196,542 S	10/1963	Zelnick
3,176,950 A	4/1965	Hittesdorf
3,279,009 A	10/1966	Teasdale
3,294,298 A	12/1966	Danielson

3,477,679 A	11/1969	Lovitz
3,990,617 A	11/1976	Carter
D242,766 S	12/1976	Neece
4,067,532 A	1/1978	Viteretto
4,158,450 A	6/1979	Suzuki

(Continued)

OTHER PUBLICATIONS

TotalMount Apple TV Mounting Shelf, amazon online, date first listed Jun. 26, 2014, <URL: https://www.amazon.com/TotalMount-Apple-Mounting-Compatible-generation/dp/B00LBIOQFA/ref=sr_1_5?ie=UTF8&qid=1549986318&sr=8-5&keywords=innovelis >, retrieved Feb. 12, 2019.*

(Continued)

Primary Examiner — Jeffrey D Asch
Assistant Examiner — Rebekah A Caruso

(57) **CLAIM**

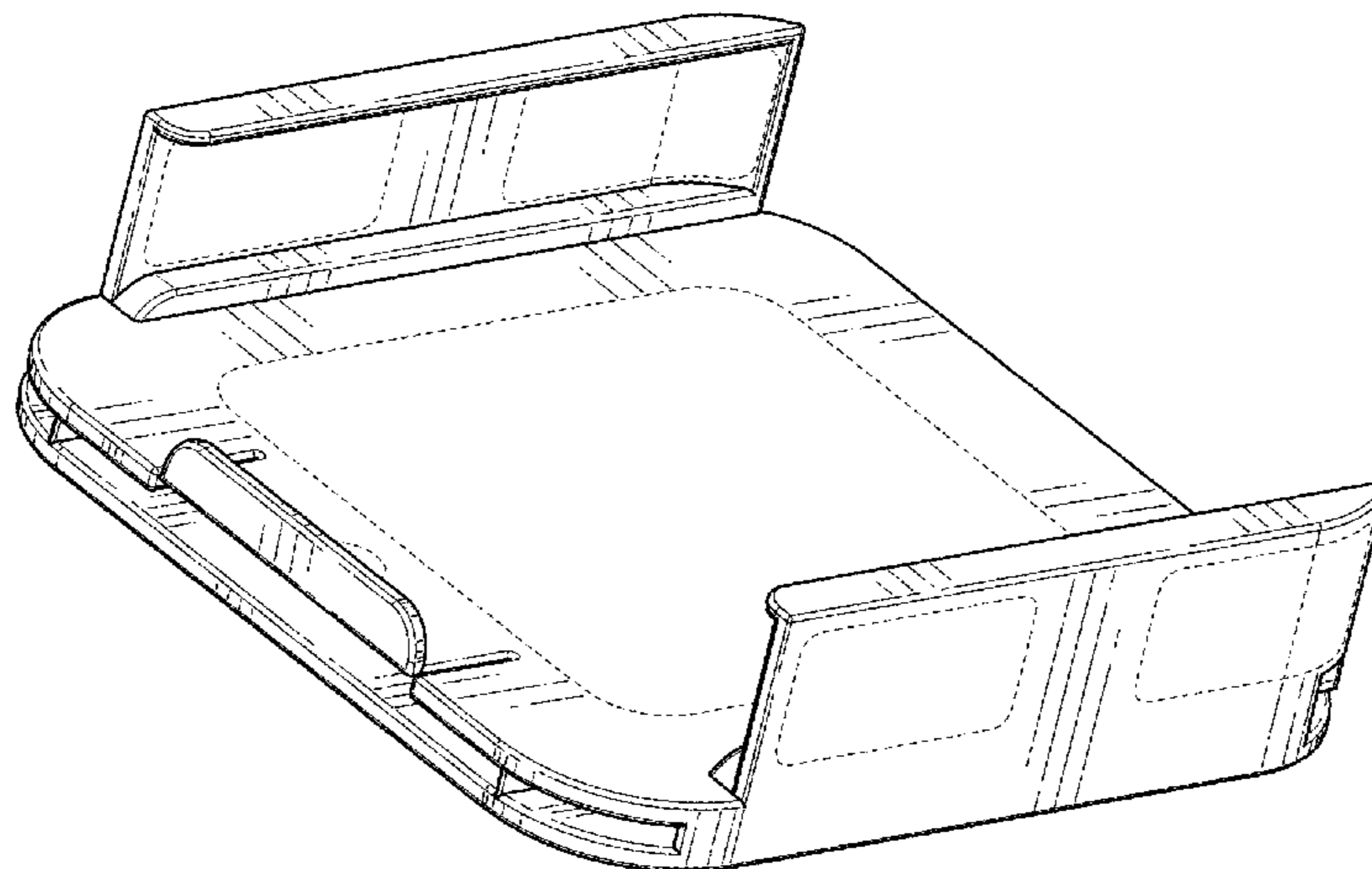
The ornamental design for a mount for electronic devices, as shown and described.

DESCRIPTION

FIG. 1 is a top, front, and first-side perspective view of a mount for electronic devices embodying the new design; FIG. 2 is a top, back, and second-side perspective view thereof; FIG. 3 is a back and second-side perspective view thereof; FIG. 4 is a bottom, front, and first-side perspective view thereof; FIG. 5 is a top view thereof; FIG. 6 is a bottom view thereof; FIG. 7 is a first-side view thereof; FIG. 8 is a second-side view thereof; FIG. 9 is a front view thereof; and, FIG. 10 is a back view thereof.

The uniform repeating broken lines depict portions of a mount for electronic devices in which the claimed design is embodied and form no part of the claimed design.

1 Claim, 10 Drawing Sheets



US D847,800 S

(56)

References Cited

U.S. PATENT DOCUMENTS

4,467,244	A	8/1984	Dickie		D530,713	S	10/2006	Richter
4,519,656	A	5/1985	Raz		D533,175	S	12/2006	Richter
D280,466	S	9/1985	Seltzer		7,145,603	B2	12/2006	Whitby
D282,034	S	1/1986	Janke		D535,826	S	1/2007	Toghanian
4,602,761	A	7/1986	Carter		D536,239	S	2/2007	Tallman
4,697,780	A	10/1987	Wenkman		7,222,762	B2	5/2007	Rees
4,746,042	A	5/1988	King		D545,343	S	6/2007	Braun
4,771,927	A	9/1988	Ventura		D547,863	S	7/2007	Heinsch
4,815,683	A	3/1989	Ferrante		D551,008	S	9/2007	Hidalgo
4,825,590	A	5/1989	Cullinane		D553,352	S	10/2007	Allen
4,826,115	A	5/1989	Novitski		D557,266	S	12/2007	Hughes
4,840,773	A	6/1989	Wade		D560,411	S	1/2008	Chung
4,852,843	A	8/1989	Chandler		D564,529	S	3/2008	Hughes
4,974,764	A	12/1990	Cantwell		D565,399	S	4/2008	Grey
D317,157	S	5/1991	Jondelius		D568,889	S	5/2008	Hughes
5,038,985	A	8/1991	Chapin		7,367,089	B2	5/2008	Cooke
5,092,395	A	3/1992	Amidzich		D570,801	S	6/2008	Allen
5,227,582	A	7/1993	Velasco		D586,795	S	2/2009	Richter
5,273,690	A	12/1993	McDowell		D596,172	S	7/2009	Ahlqvist
5,297,318	A	3/1994	Adolphson		D598,945	S	8/2009	Gillespie
D351,341	S	10/1994	Hung		7,580,255	B2	8/2009	Crooijmans
5,385,282	A	1/1995	Chen		D601,000	S	9/2009	Cole
5,400,990	A	3/1995	Frankel		D609,030	S	2/2010	Barabas
D359,288	S	* 6/1995	Underwood	D14/244	D610,579	S	2/2010	Behar
D359,616	S	6/1995	Ishibashi		D624,949	S	10/2010	Nakayama
D361,335	S	8/1995	Rudkiewicz		D625,729	S	10/2010	McNames
D361,462	S	8/1995	Newham		D628,611	S	12/2010	Lewis
D369,465	S	5/1996	Scheid		7,854,420	B2	12/2010	Depay
5,535,093	A	7/1996	Noguchi		D633,503	S	3/2011	Bo
D376,787	S	12/1996	Calfee		7,959,121	B1	6/2011	Barnes
5,593,124	A	1/1997	Wang		7,980,435	B2	7/2011	Tages
5,619,395	A	4/1997	McBride		D648,727	S	11/2011	Van Den Nieuwenhuizen
5,619,774	A	4/1997	Perry		D657,362	S	4/2012	Lister
D388,107	S	12/1997	Huckins		D662,491	S	6/2012	Andre
D390,849	S	2/1998	Richter		D667,411	S	9/2012	Kim
5,850,998	A	12/1998	Parsey		D669,890	S	10/2012	Hopkins
D407,408	S	3/1999	Hoff		D672,308	S	12/2012	Cobbett
D409,079	S	5/1999	Sobczynski		8,322,584	B2	12/2012	Dethmers
5,899,371	A	5/1999	Weliver		D686,629	S	7/2013	Trinh
D411,542	S	6/1999	Richter		D690,707	S	10/2013	Minn
5,914,707	A	6/1999	Kono		8,544,805	B2	10/2013	Virgin
5,961,083	A	10/1999	Hartman		D695,748	S	12/2013	Morris
5,979,724	A	11/1999	Loewenthal		D700,832	S	3/2014	Ng
D420,149	S	2/2000	Hersh		D705,229	S	5/2014	Wengreen
6,039,173	A	3/2000	Crow		D710,340	S	8/2014	Wengreen
D425,353	S	5/2000	Foy		D710,363	S	8/2014	Wengreen
6,073,901	A	6/2000	Richter		D710,836	S	8/2014	Wengreen
6,102,660	A	8/2000	Lee		D712,394	S	9/2014	Booth
6,105,923	A	8/2000	Robertson		D712,906	S	9/2014	Wengreen
D431,250	S	9/2000	Richter		D713,395	S	9/2014	Godycki
6,163,997	A	12/2000	Deralas		D713,399	S	9/2014	Green
6,193,546	B1	2/2001	Sadler		8,847,549	B2	9/2014	Graham
D443,493	S	6/2001	Skeem		8,848,113	B2	9/2014	Wengreen
6,275,885	B1	8/2001	Chin		D714,793	S	10/2014	Kim
6,336,615	B1	1/2002	Jeon		D716,580	S	11/2014	Wengreen
D456,024	S	4/2002	Richter		D717,307	S	11/2014	Chun
D456,413	S	4/2002	Malson		D717,804	S	11/2014	Budge
6,445,290	B1	9/2002	Fingal		8,896,768	B1	11/2014	Wengreen
6,485,144	B1	11/2002	Liao		8,934,060	B1	1/2015	Wengreen
D471,547	S	3/2003	Ruohonen		8,934,061	B1	1/2015	Wengreen
6,554,527	B1	4/2003	O'Donnell		8,939,417	B1	1/2015	Wengreen
6,560,983	B1	5/2003	Schimmeyer		D723,042	S	2/2015	Lee
6,691,374	B2	2/2004	Coyne		8,988,616	B2	3/2015	Wengreen
6,888,940	B1	5/2005	Deppen		D729,544	S	5/2015	Wengreen
D508,605	S	8/2005	Shih-Ming		D732,939	S	6/2015	Cannaverde
6,939,641	B2	9/2005	Kincaid		D733,105	S	6/2015	Wengreen
6,983,126	B1	1/2006	Saalman		D733,542	S	7/2015	Cannaverde
D518,704	S	4/2006	Miao		D733,691	S	7/2015	Wengreen
7,047,601	B1	5/2006	Vernon-Woods		D734,305	S	7/2015	Wengreen
7,067,737	B2	6/2006	Mallen		D735,174	S	7/2015	Wengreen
7,079,384	B2	7/2006	Wang		D739,410	S	9/2015	Chun
7,080,764	B2	7/2006	McNicholas		9,131,195	B2	9/2015	Wengreen
7,113,218	B2	9/2006	Battles		D742,387	S	11/2015	Xiang
D529,713	S	10/2006	Guyot		9,185,953	B2	11/2015	Whitten
D529,905	S	10/2006	Richter		D746,599	S	1/2016	Olson
					D749,549	S	2/2016	Wengreen
					D749,597	S	2/2016	Wengreen
					D750,633	S	3/2016	Minn
					D751,563	S	3/2016	Wengreen

(56)

References Cited

U.S. PATENT DOCUMENTS

D752,415 S 3/2016 Lu
 9,339,112 B2 5/2016 Wengreen
 D759,005 S 6/2016 Murakami
 D761,236 S 7/2016 Wengreen
 D763,666 S 8/2016 Wengreen
 D763,835 S 8/2016 Wengreen
 D765,063 S 8/2016 Wengreen
 D765,064 S 8/2016 Wengreen
 D765,646 S 9/2016 Deng
 D765,651 S 9/2016 Liu
 D767,377 S 9/2016 Sekula
 D770,171 S 11/2016 Lai
 D772,217 S 11/2016 Alesi
 D777,167 S 1/2017 Wengreen
 9,543,082 B1 1/2017 Wengreen
 D779,466 S 2/2017 Wengreen
 9,578,960 B1 2/2017 Wu
 D795,820 S 8/2017 Wengreen
 D798,305 S * 9/2017 Wengreen D14/447
 D812,064 S * 3/2018 Wengreen D14/434
 D813,241 S * 3/2018 Wengreen D14/434
 D832,274 S * 10/2018 Wengreen D14/447
 D834,029 S * 11/2018 Wengreen D14/447
 2005/0023419 A1 2/2005 Frankel
 2005/0211861 A1 9/2005 Lee
 2005/0236541 A1 10/2005 Chang
 2006/0224575 A1 10/2006 Ostojic
 2007/0097617 A1 5/2007 Searby
 2007/0235609 A1 10/2007 Chun
 2007/0264169 A1 11/2007 Chen

2008/0078793 A1 4/2008 Brown
 2009/0218454 A1 9/2009 Stanley
 2009/0296997 A1 12/2009 Rocheford
 2010/0270190 A1 10/2010 Howard
 2010/0281671 A1 11/2010 De Vaan
 2010/0288895 A1 11/2010 Shamie
 2010/0314277 A1 12/2010 Murray
 2011/0242439 A1 10/2011 Calderon
 2012/0126081 A1 5/2012 Wengreen
 2012/0127379 A1 5/2012 Wengreen
 2012/0168516 A1 7/2012 Bolger
 2012/0280014 A1 11/2012 Lopez-Apodaca
 2012/0312950 A1 12/2012 Sears
 2014/0061406 A1 3/2014 Chevalier
 2014/0103179 A1 4/2014 Lipke
 2014/0241705 A1 8/2014 Wengreen
 2015/0070835 A1 3/2015 McLean
 2015/0212544 A1 7/2015 Chen
 2015/0305502 A1 10/2015 Wengreen
 2016/0007735 A1 1/2016 Gallup
 2016/0119458 A1 4/2016 Gunther
 2016/0120295 A1 5/2016 Rowley
 2016/0218535 A1 7/2016 Prete
 2016/0234955 A1 8/2016 Wengreen
 2016/0241289 A1 8/2016 Wieth
 2017/0150620 A1 5/2017 Wengreen
 2017/0208945 A1 7/2017 Wengreen

OTHER PUBLICATIONS

Apple TV, downloaded on Feb. 3, 2014 from <http://www.apple.com/appletv/what-is/>.

* cited by examiner

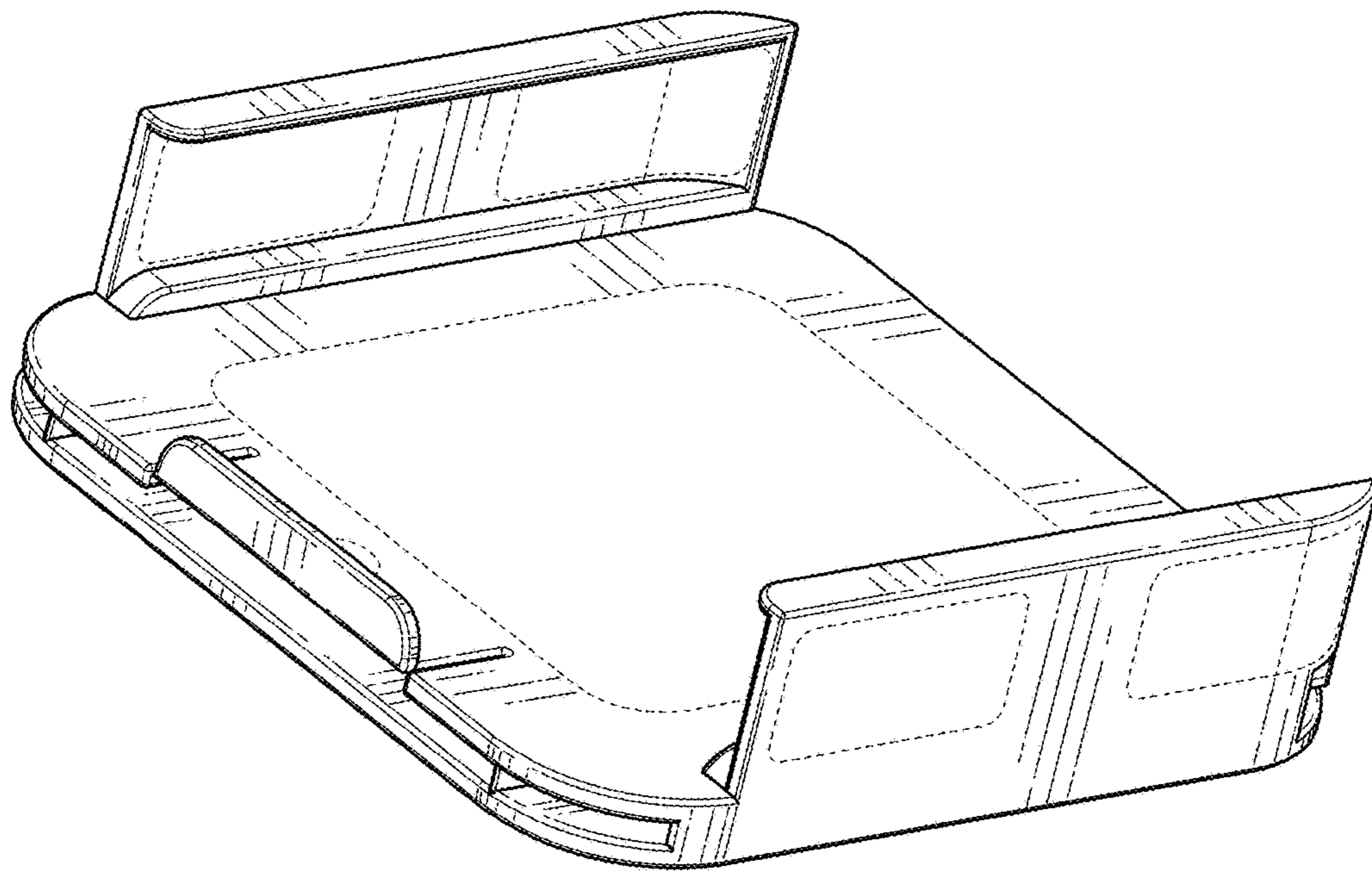


FIG. 1

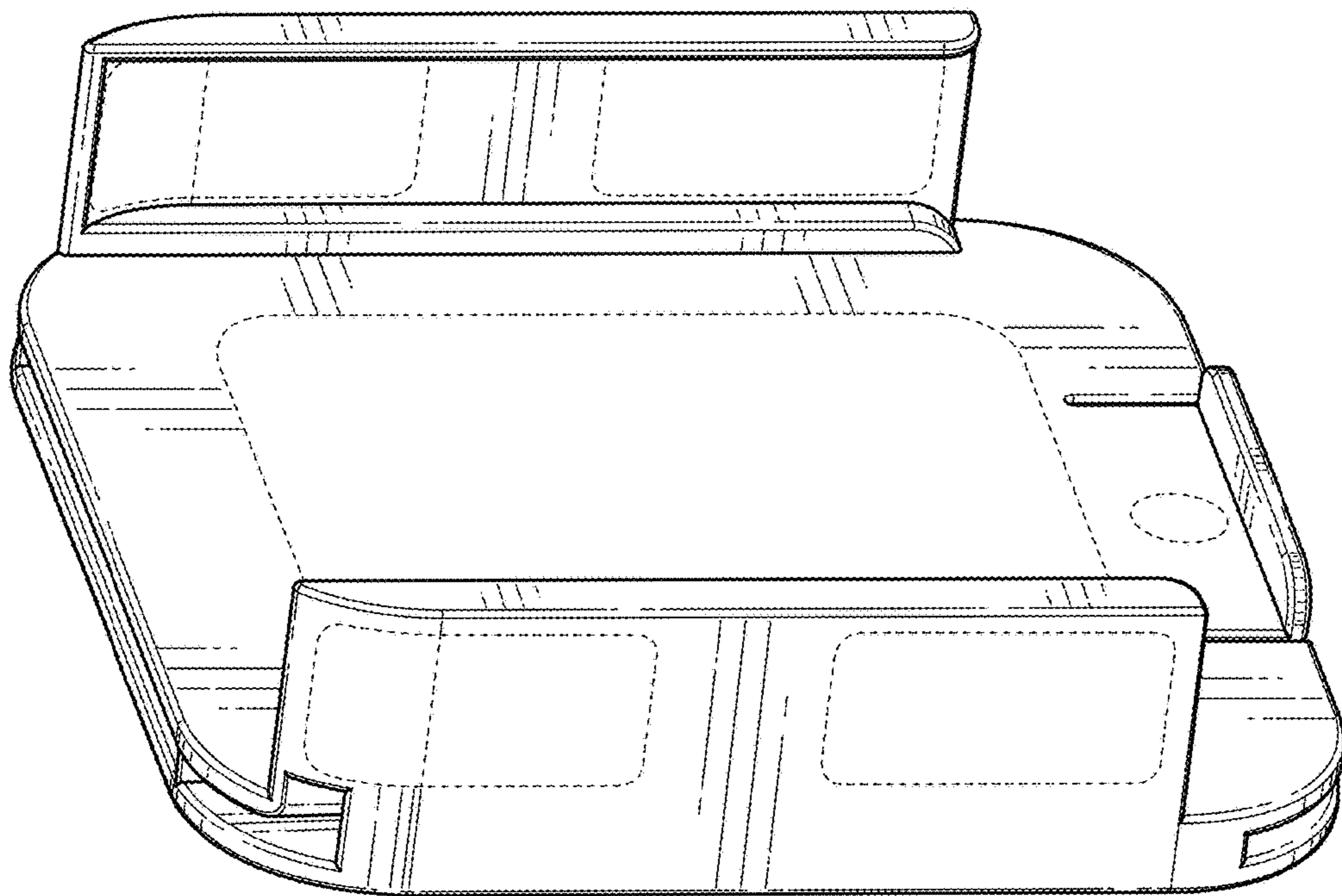


FIG. 2

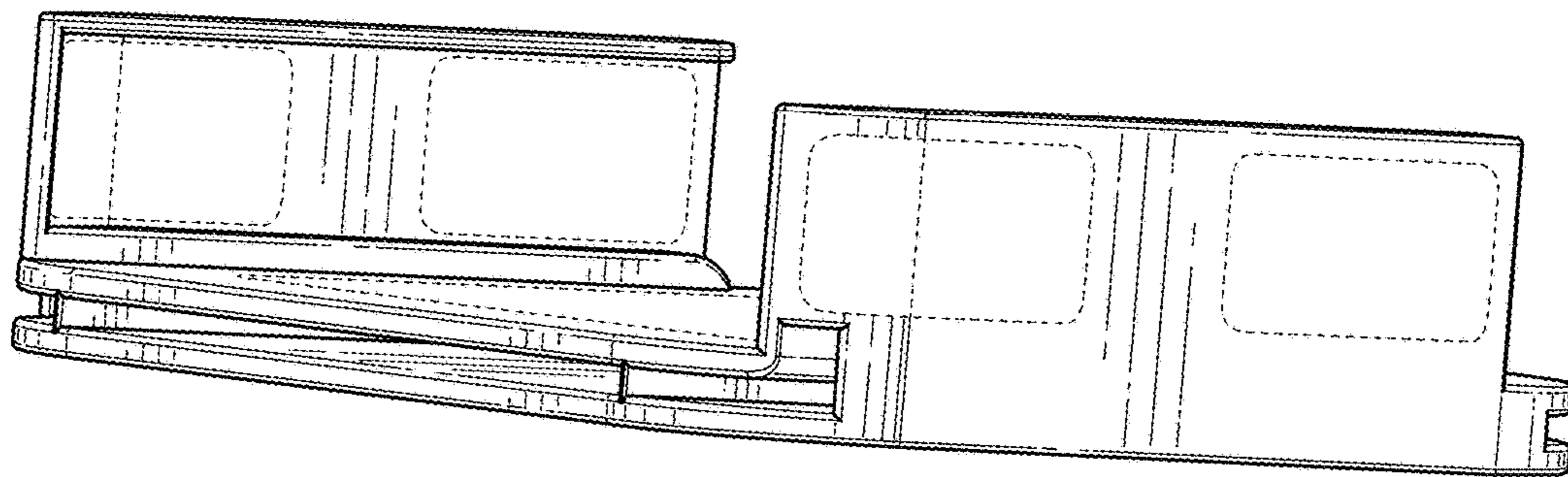


FIG. 3

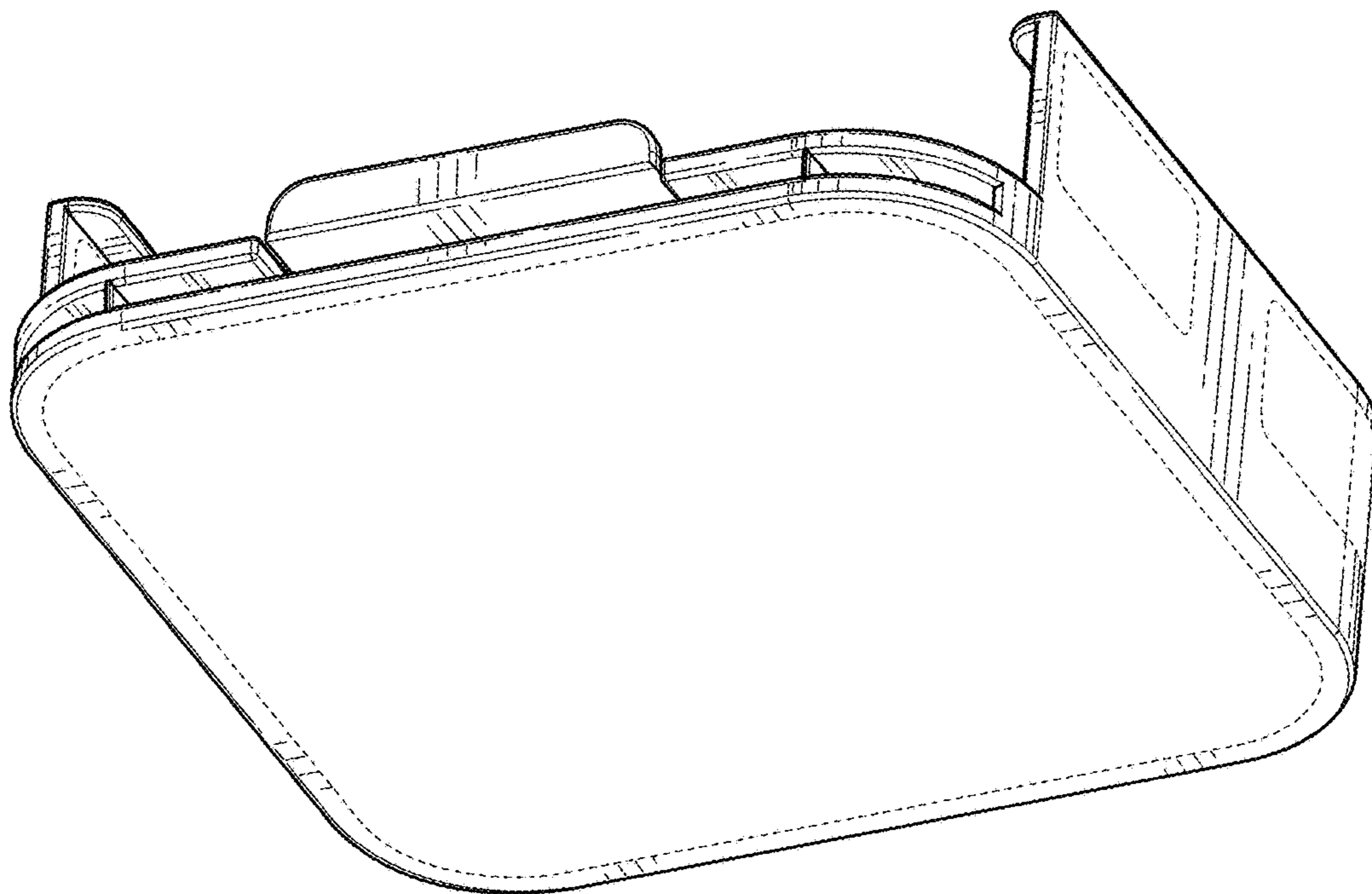


FIG. 4

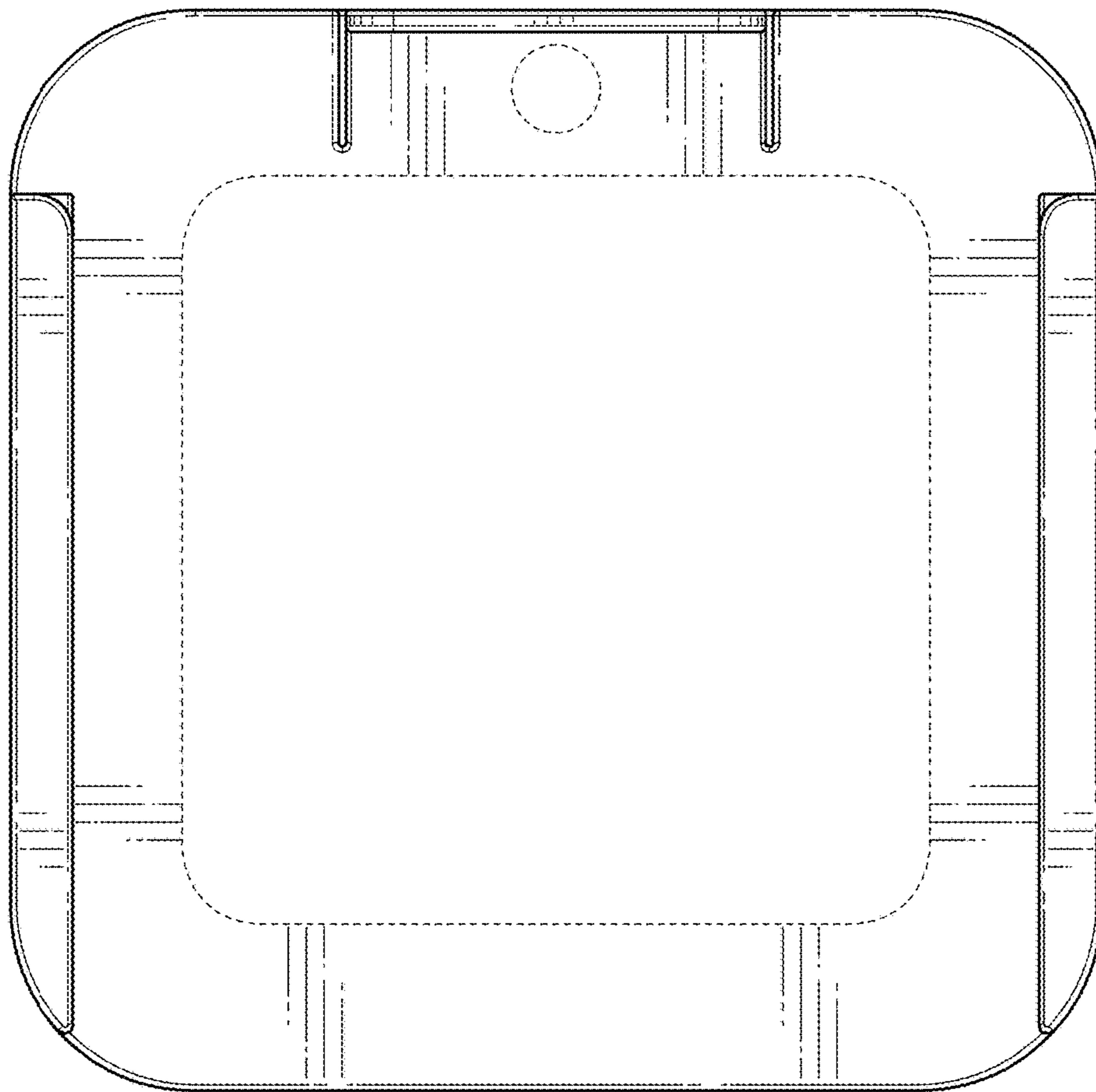


FIG. 5

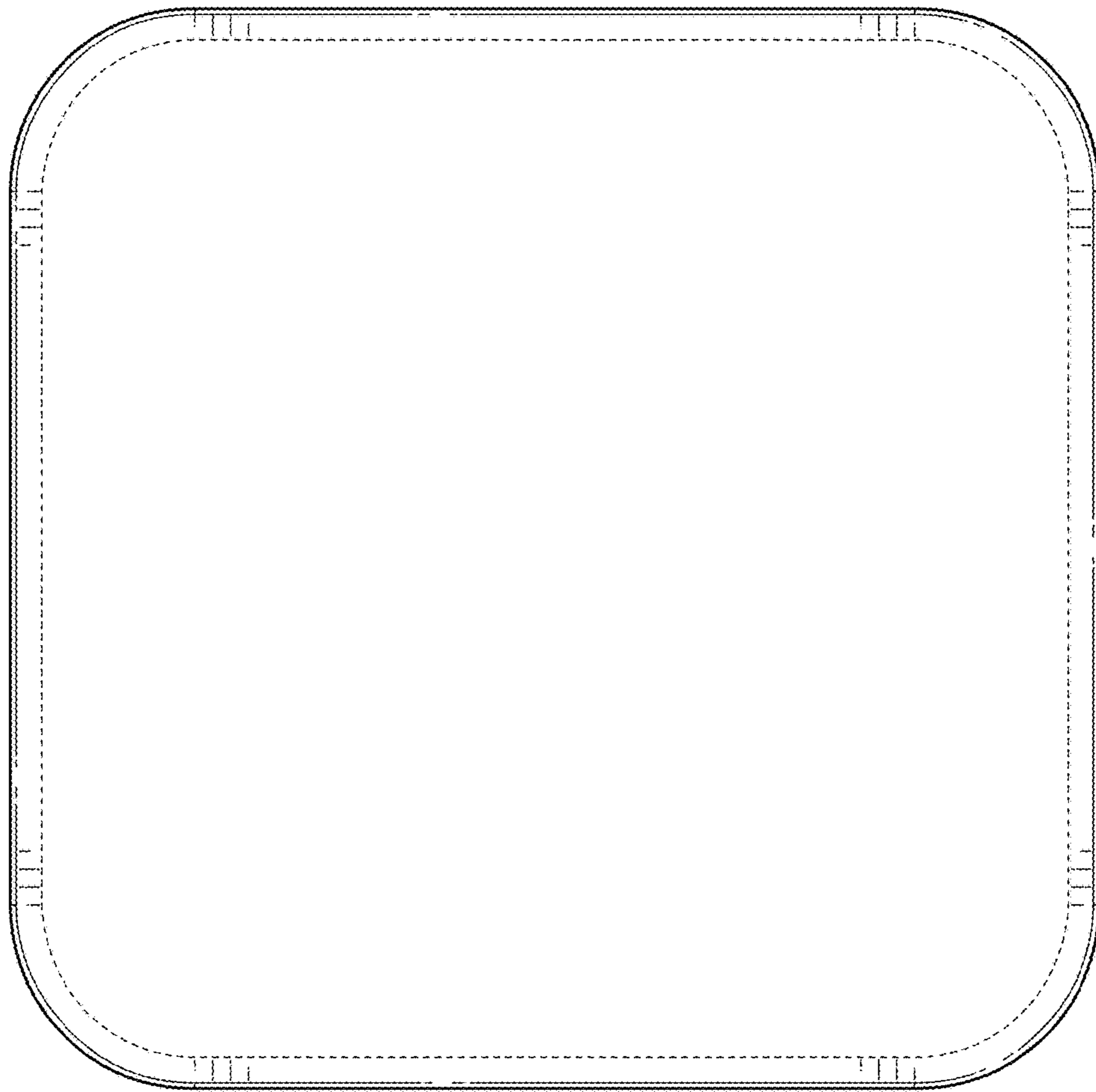


FIG. 6

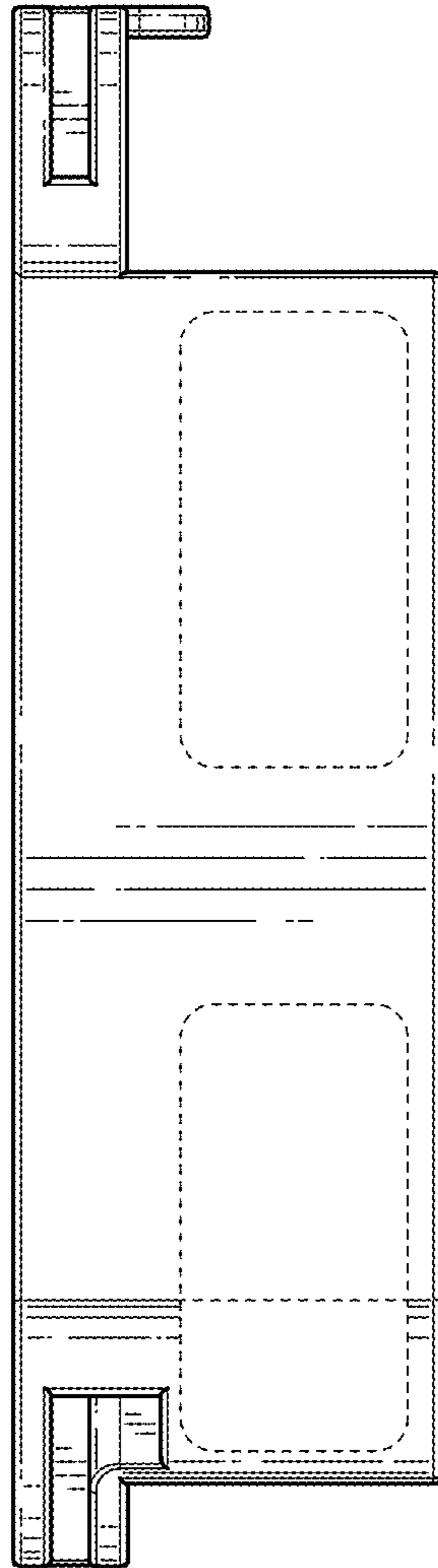


FIG. 7

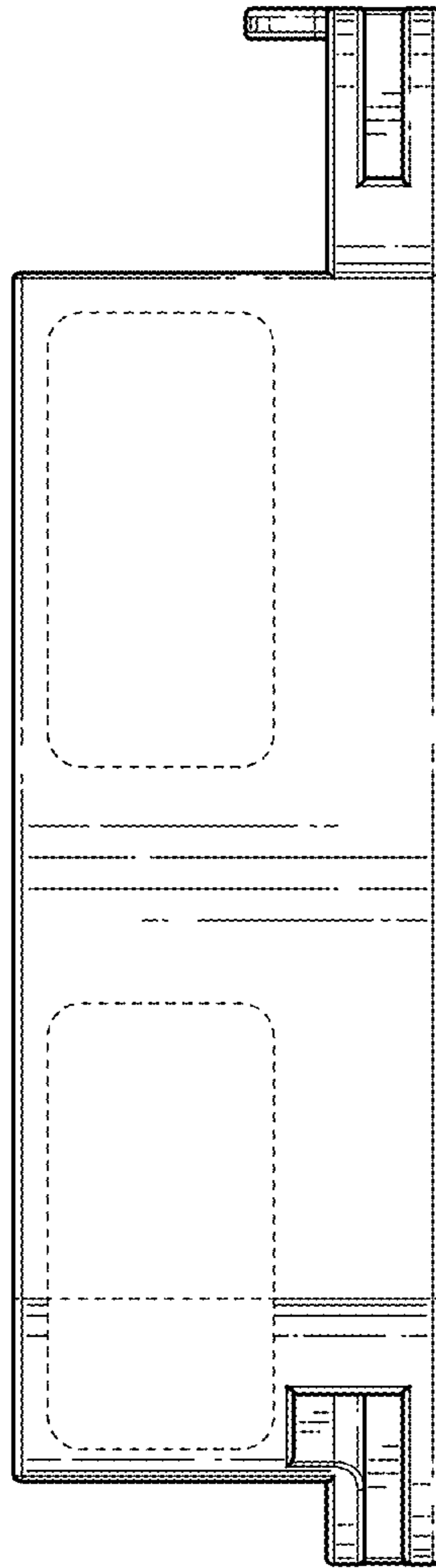


FIG. 8

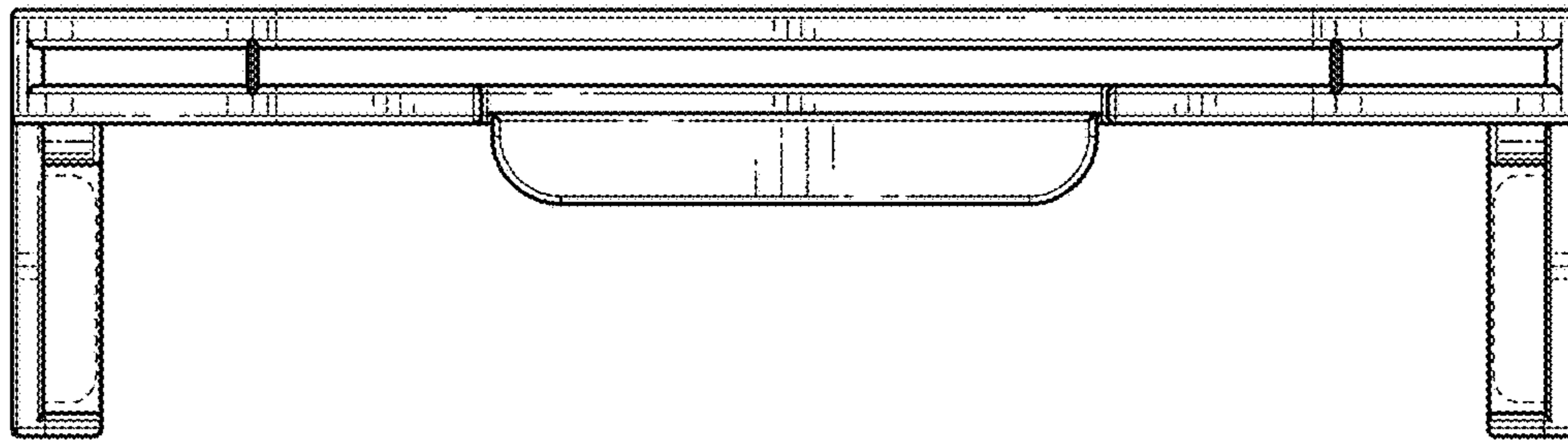


FIG. 9



FIG. 10