

US00D847794S

(12) **United States Design Patent**
Guo et al.

(10) **Patent No.:** **US D847,794 S**
(45) **Date of Patent:** **** May 7, 2019**

(54) **EARPHONE**

(71) Applicant: **Mobvoi Information Technology Company Limited, Beijing (CN)**

(72) Inventors: **Shuai Guo, Beijing (CN); Jing Gu, Beijing (CN); Yang Liu, Beijing (CN)**

(73) Assignee: **Mobvoi Information Technology Company Limited, Beijing (CN)**

(**) Term: **15 Years**

(21) Appl. No.: **29/639,998**

(22) Filed: **Mar. 10, 2018**

(51) **LOC (11) Cl.** **14-01**

(52) **U.S. Cl.**
USPC **D14/223**

(58) **Field of Classification Search**
USPC D14/205, 221, 223, 224, 224.1, 225;
D24/173, 174
CPC H04R 1/10; H04R 1/1016; H04R 1/1066;
H04R 1/1033; H04R 1/08; H04R 5/033;
H04R 5/0335; H04R 25/00
See application file for complete search history.

(56) **References Cited**

U.S. PATENT DOCUMENTS

D523,846 S *	6/2006	Lee	D14/205
D572,242 S *	7/2008	Yang	D14/205
8,655,006 B2 *	2/2014	Aase	B29C 43/203 381/370
8,712,087 B2 *	4/2014	Ozawa	H04R 1/345 181/130
D707,660 S *	6/2014	Yang	H04R 1/10 D14/223
D718,285 S *	11/2014	Shibusawa	D14/223
D730,876 S *	6/2015	Dahlberg	D14/223
D762,616 S *	8/2016	Hsieh	D14/205
D775,108 S *	12/2016	Hsieh	D14/223
D817,933 S *	5/2018	Liu	D14/223

D820,810 S *	6/2018	Levine	D14/205
D821,362 S *	6/2018	Vaclavik	D14/223
D824,876 S *	8/2018	Wei	D14/205
D825,524 S *	8/2018	Wagner	D14/205

(Continued)

OTHER PUBLICATIONS

Mobvoi TicPods Free True Wireless Bluetooth Earbuds, posted Sep. 11, 2018 [online], retrieved Dec. 4, 2018, retrieved from internet, <<https://www.amazon.com/Wireless-Bluetooth-Charging-Resistant-isolating/dp/B07H8BR2ZV>>.*

(Continued)

Primary Examiner — Barbara Fox

Assistant Examiner — Messina L Smith

(74) *Attorney, Agent, or Firm* — Gokalp Bayramoglu

(57) **CLAIM**

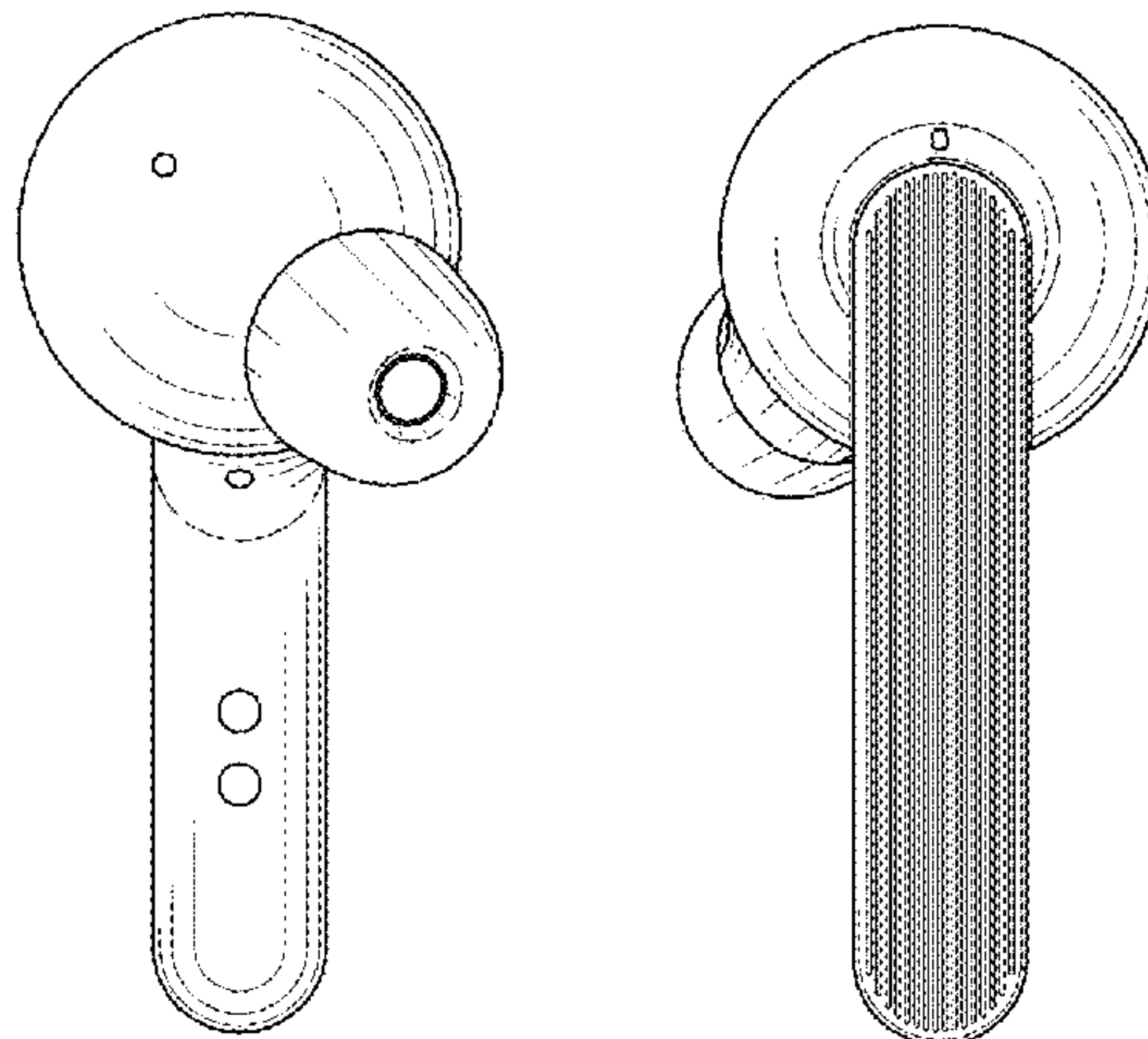
The ornamental design for an earphone, as shown and described.

DESCRIPTION

FIG. 1 is a front plan view of an earphone showing the new design, showing the left earphone in a first embodiment; FIG. 2 is a rear view thereof; FIG. 3 is a left side view thereof; FIG. 4 is a right side view thereof; FIG. 5 is a top view thereof; FIG. 6 is a bottom view thereof; FIG. 7 is a front plan view of the earphone, showing the right earphone in a second embodiment; FIG. 8 is a rear view thereof; FIG. 9 is a left side view thereof; FIG. 10 is a right side thereof; FIG. 11 is a top view thereof; and, FIG. 12 is a bottom view thereof.

The broken lines in the drawings depict portions of the earphone that form no part of the claimed design.

1 Claim, 4 Drawing Sheets



(56)

References Cited

U.S. PATENT DOCUMENTS

D825,534 S * 8/2018 Kim D14/223
D829,193 S * 9/2018 Cai D14/223
D830,345 S * 10/2018 Cai D14/223
D831,619 S * 10/2018 Matoba D14/223
2018/0124489 A1 * 5/2018 Aljuwayed H04R 1/1016

OTHER PUBLICATIONS

TicPods Free are affordable true wireless earbuds with touch controls from Mobvoi, posted Apr. 17, 2018 [online], retrieved Dec. 4, 2018, retrieved from internet, <<https://www.androidpolice.com/2018/04/17/ticpods-free-affordable-true-wireless-earbuds-touch-controls-mobvoi/>>.*

* cited by examiner

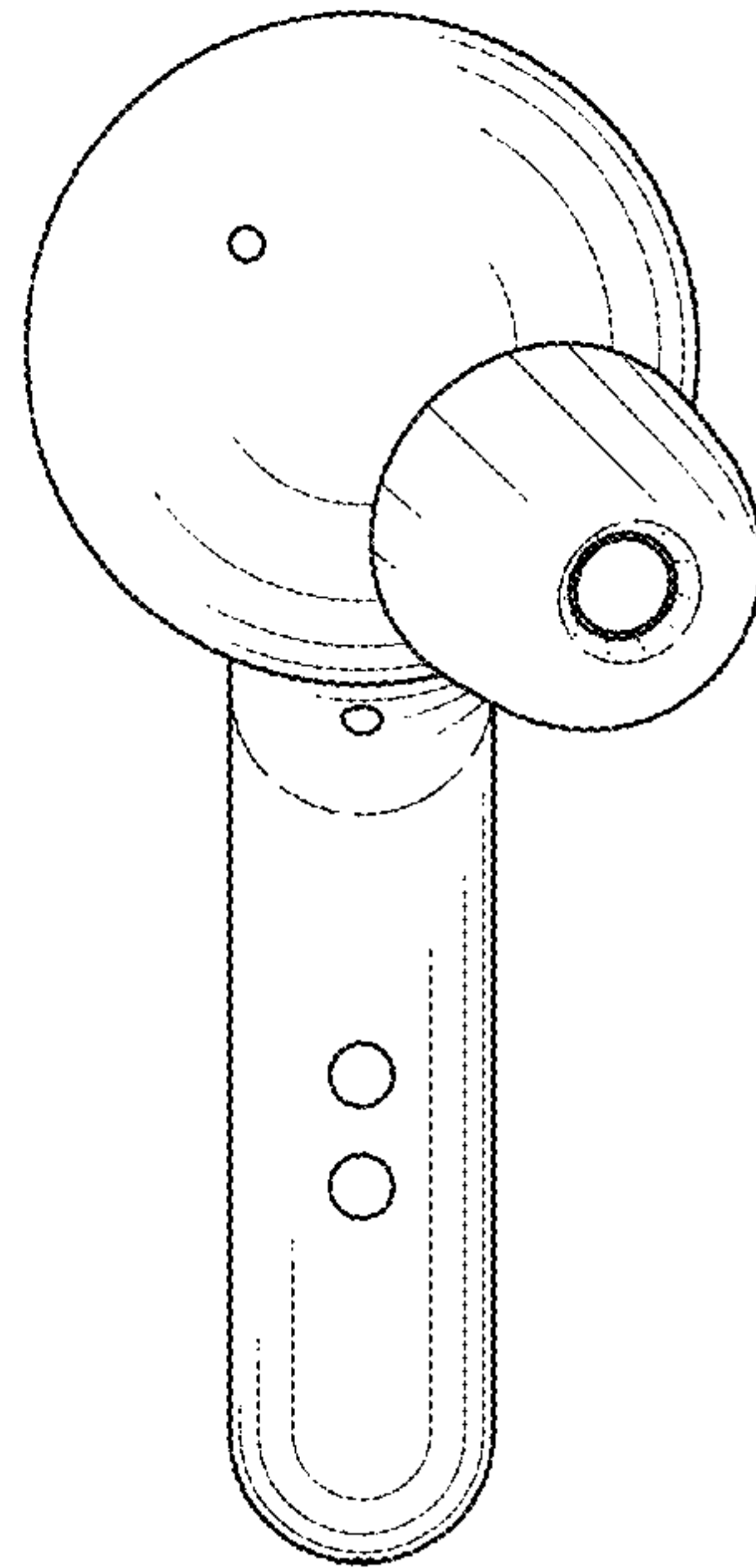


FIG. 1

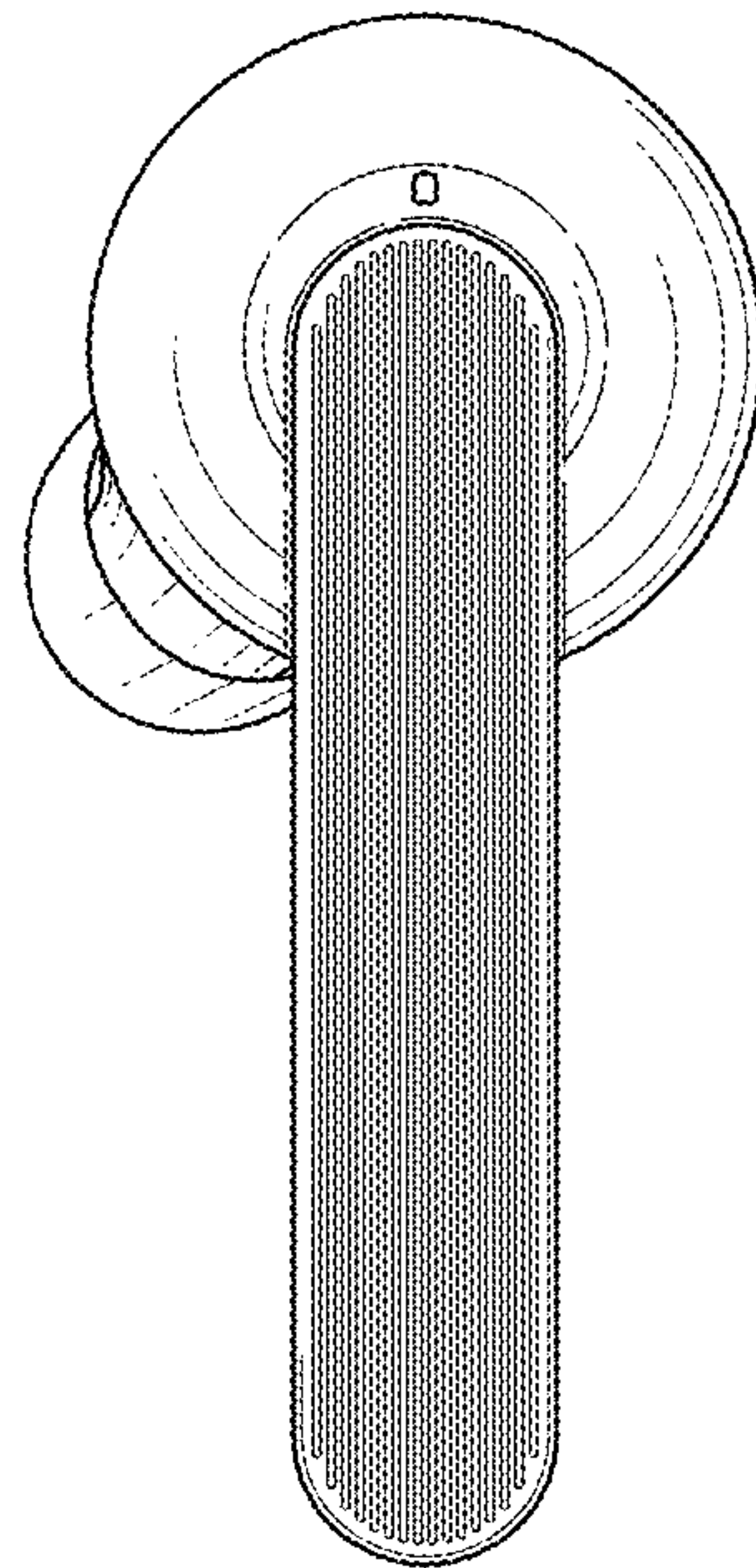


FIG. 2

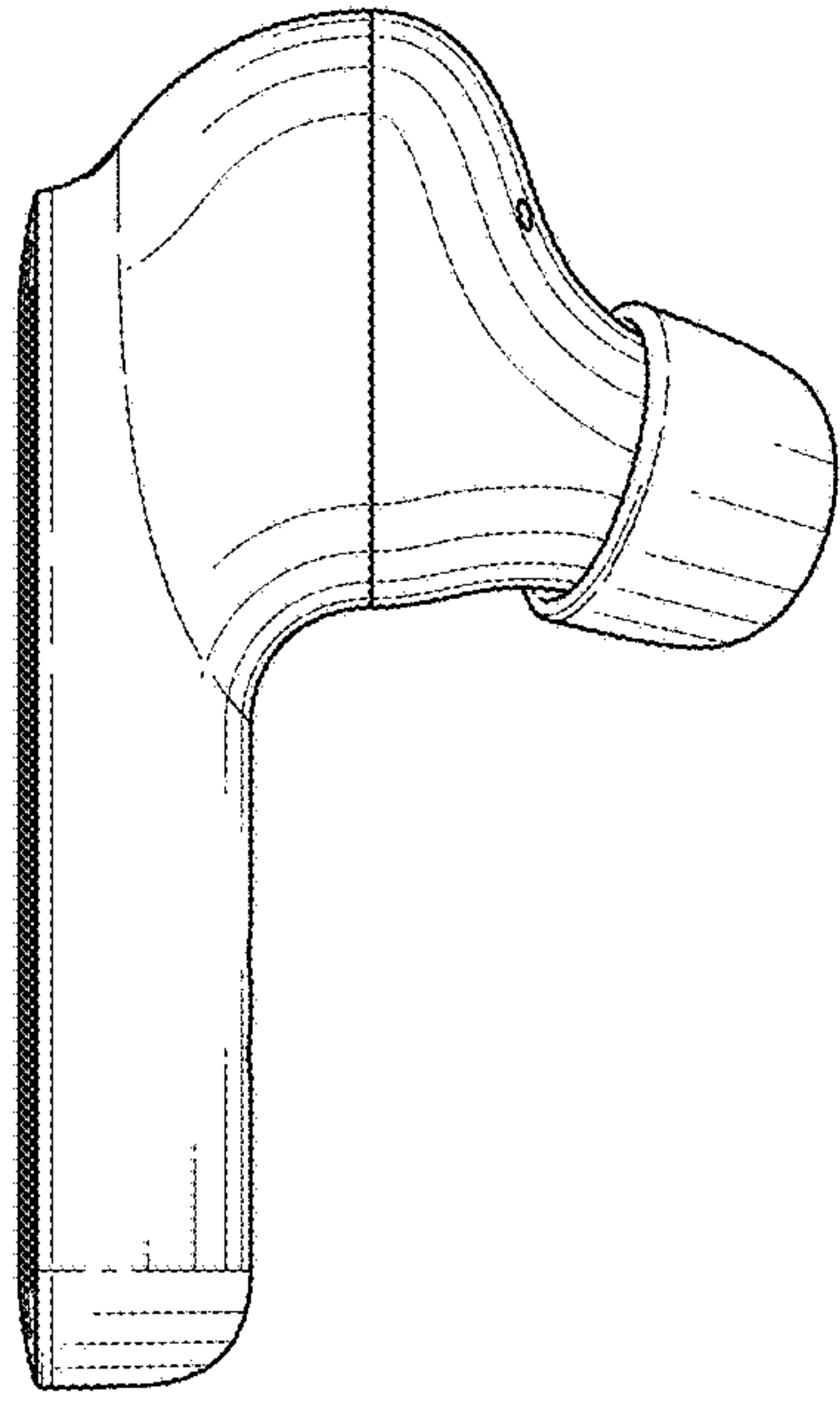


FIG. 3

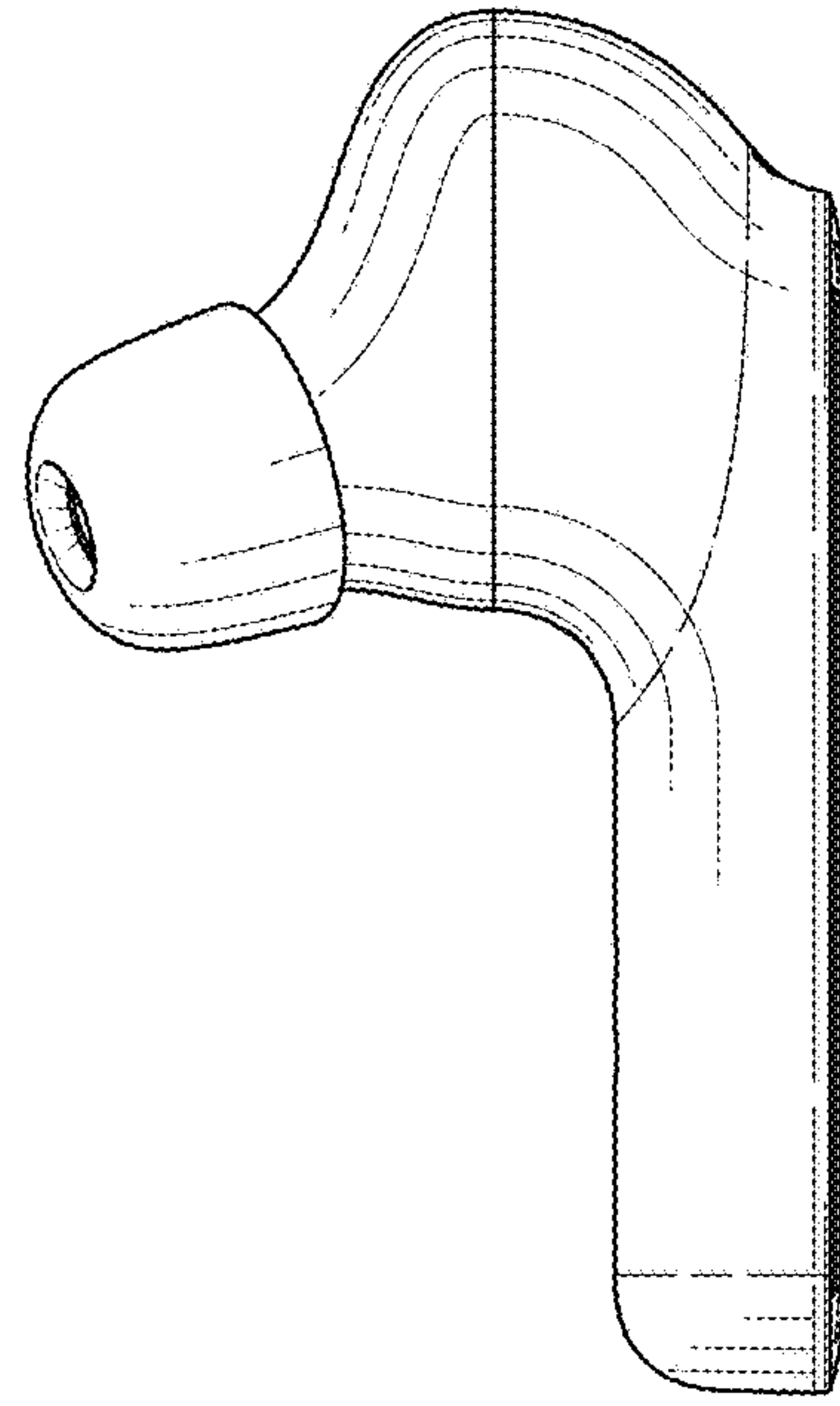


FIG. 4

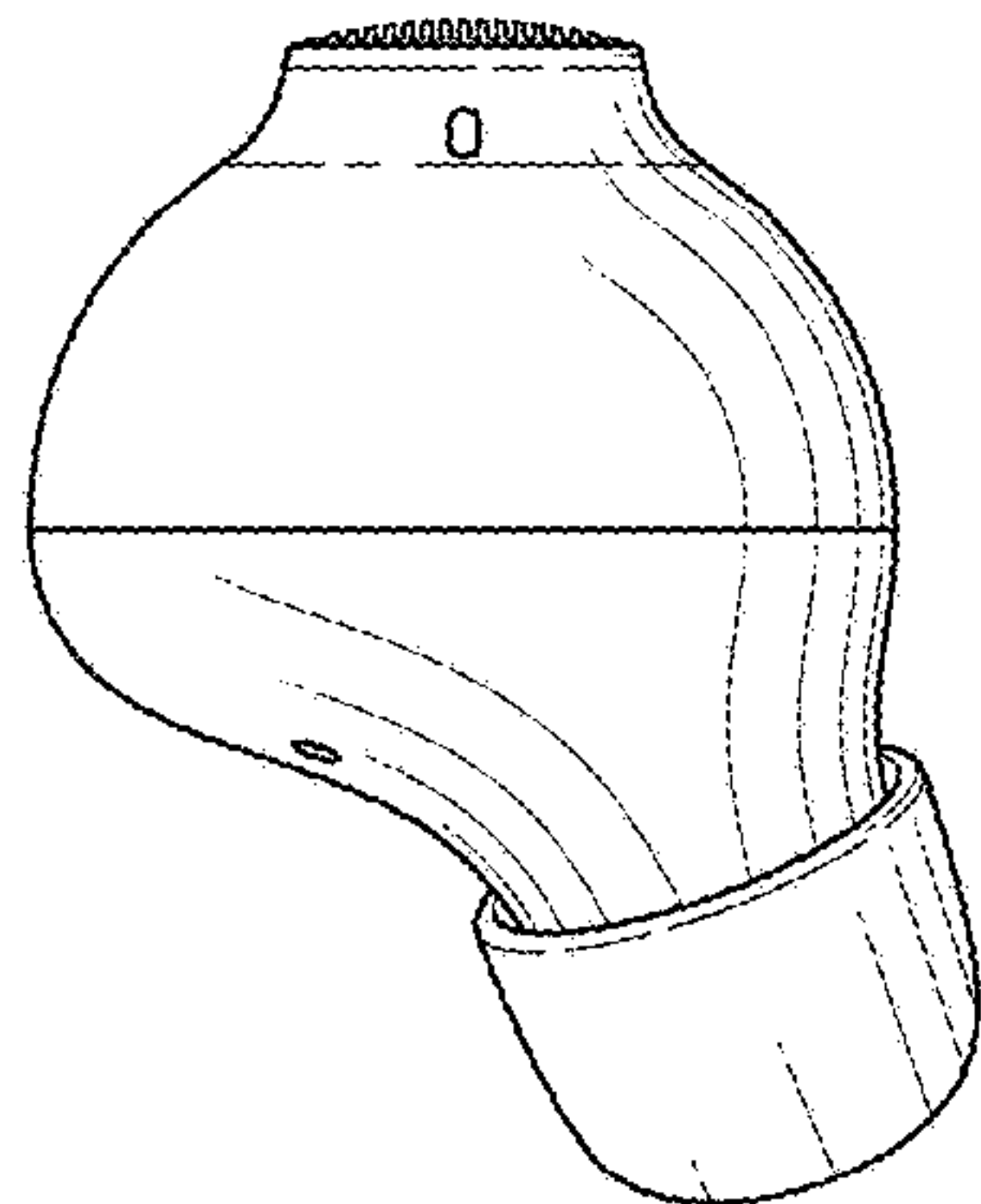


FIG. 5

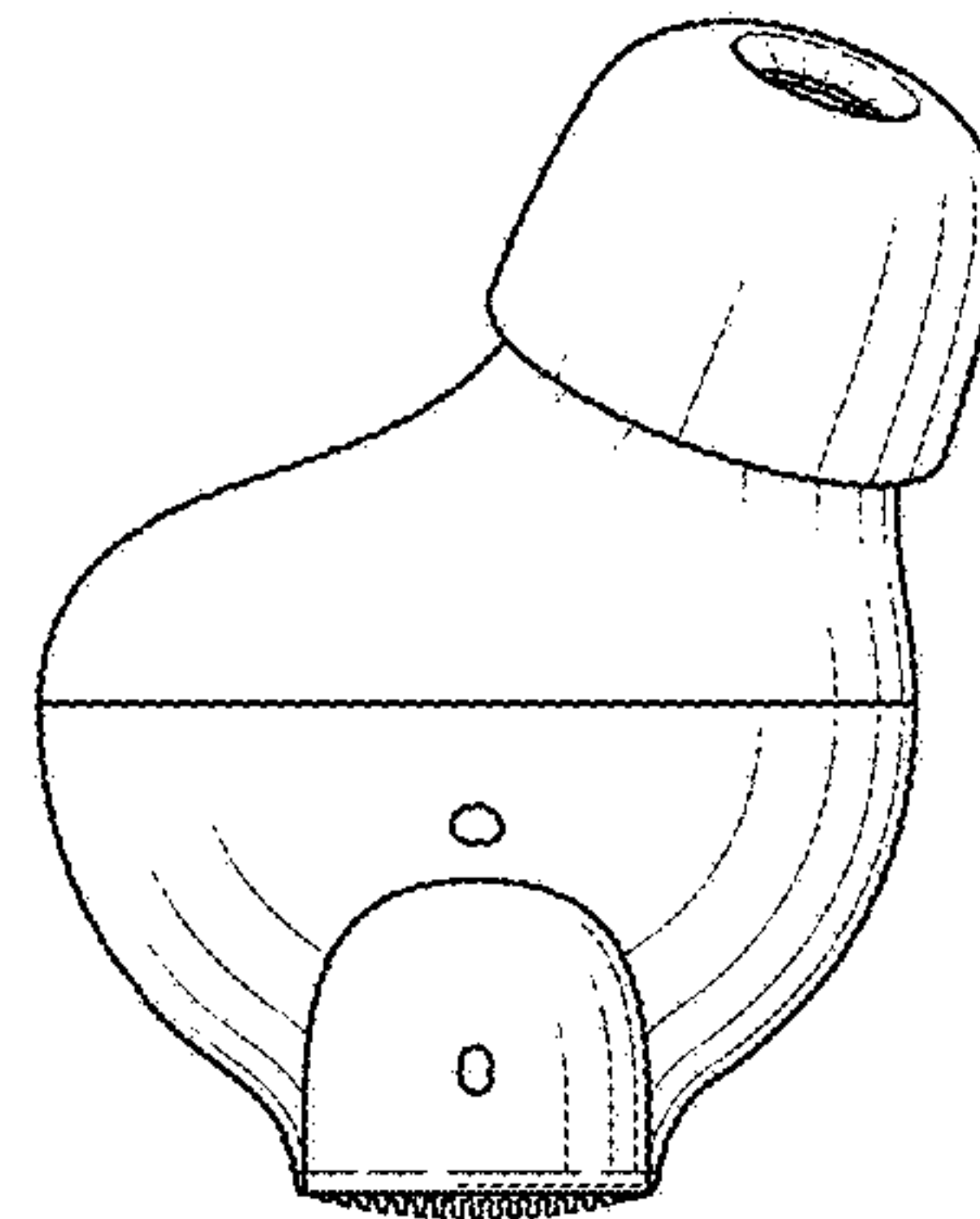


FIG. 6

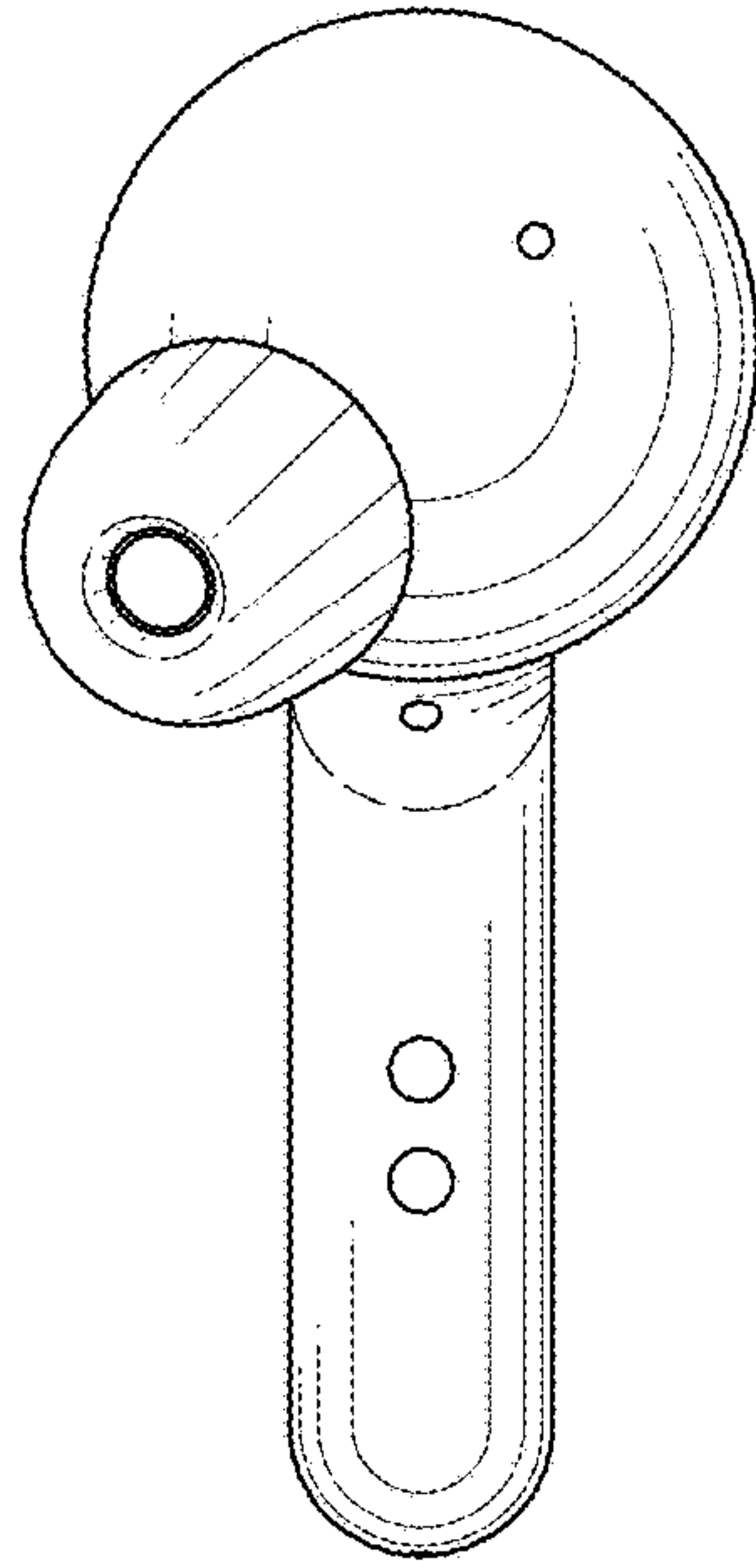


FIG. 7

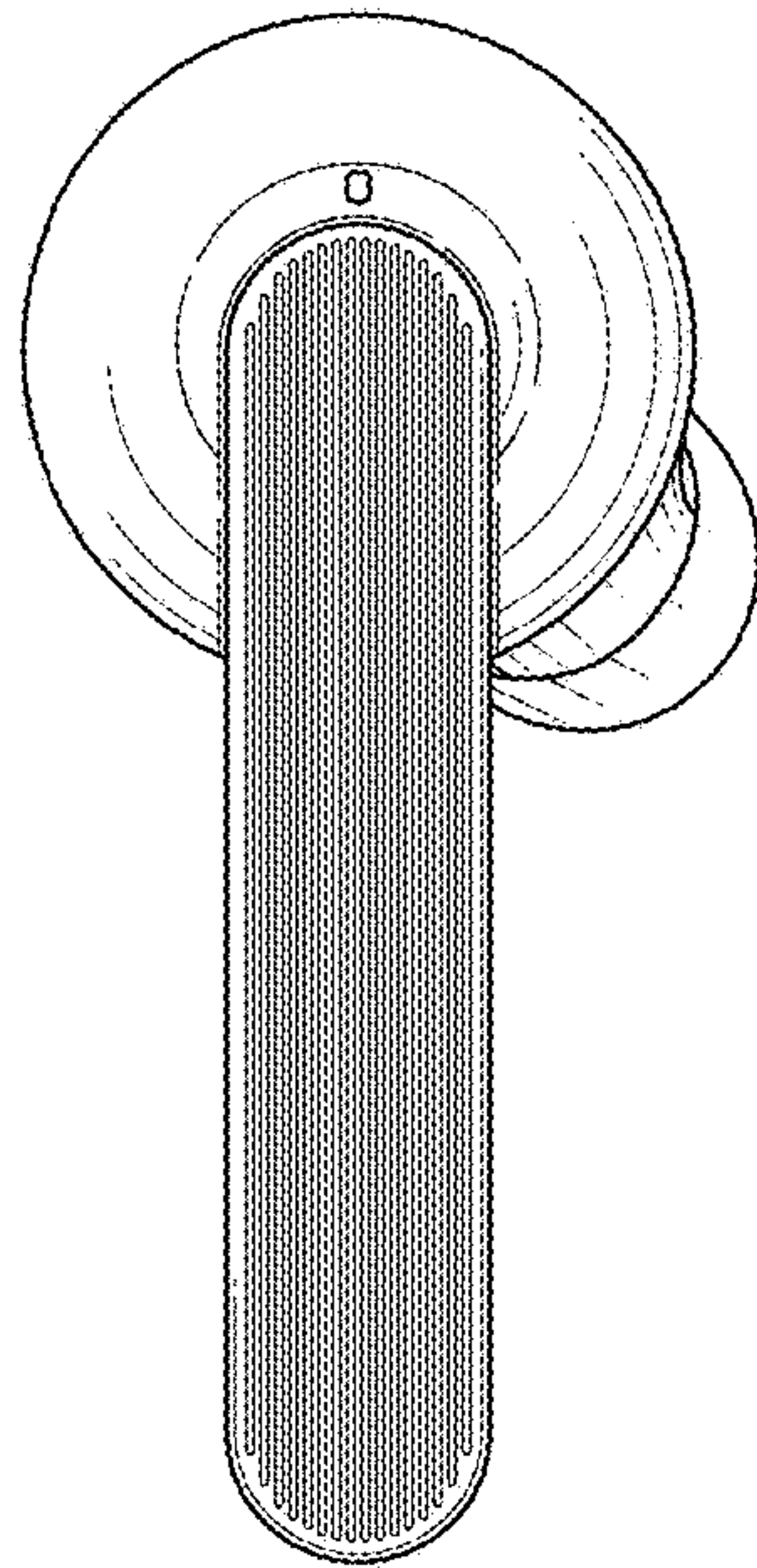


FIG. 8

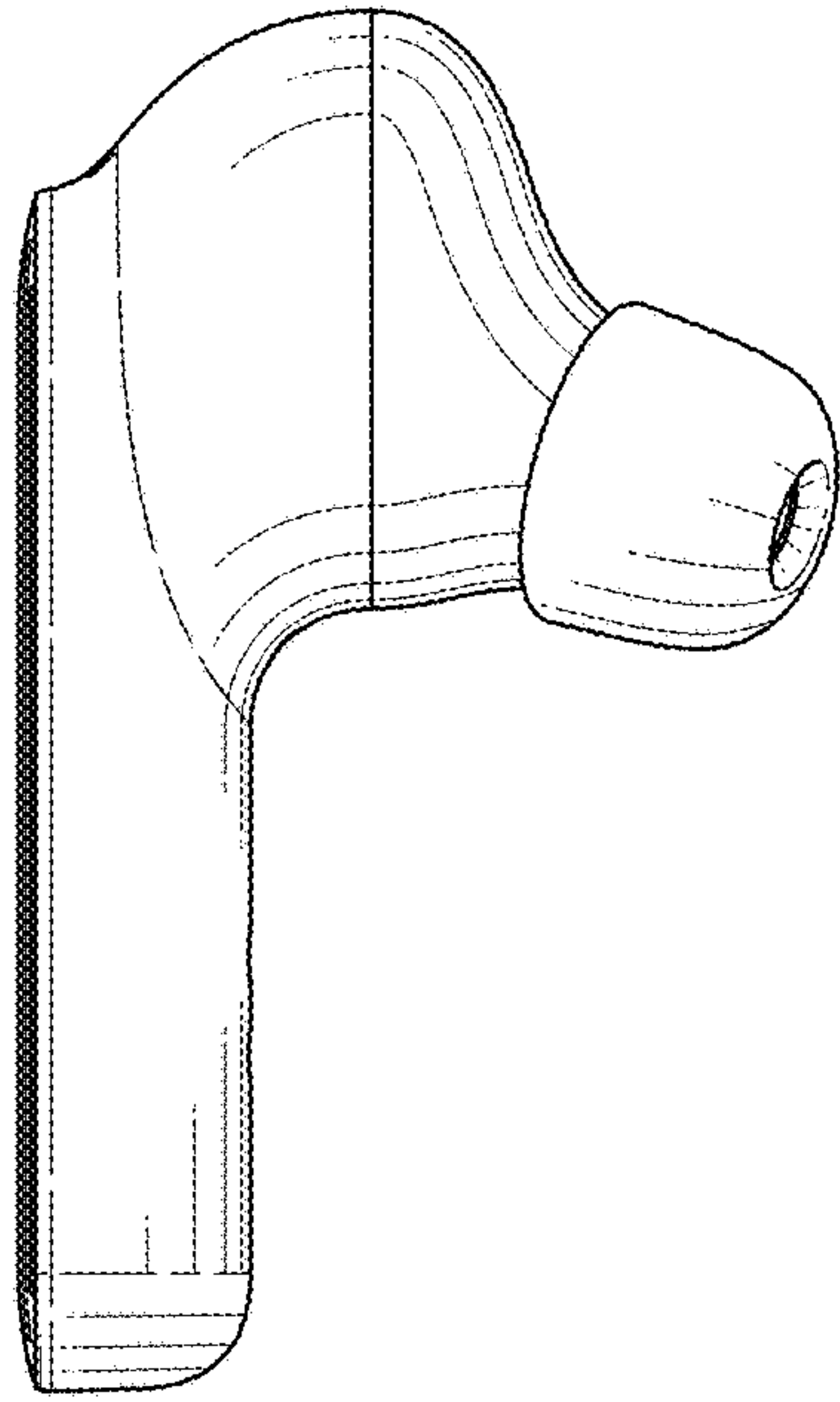


FIG. 9

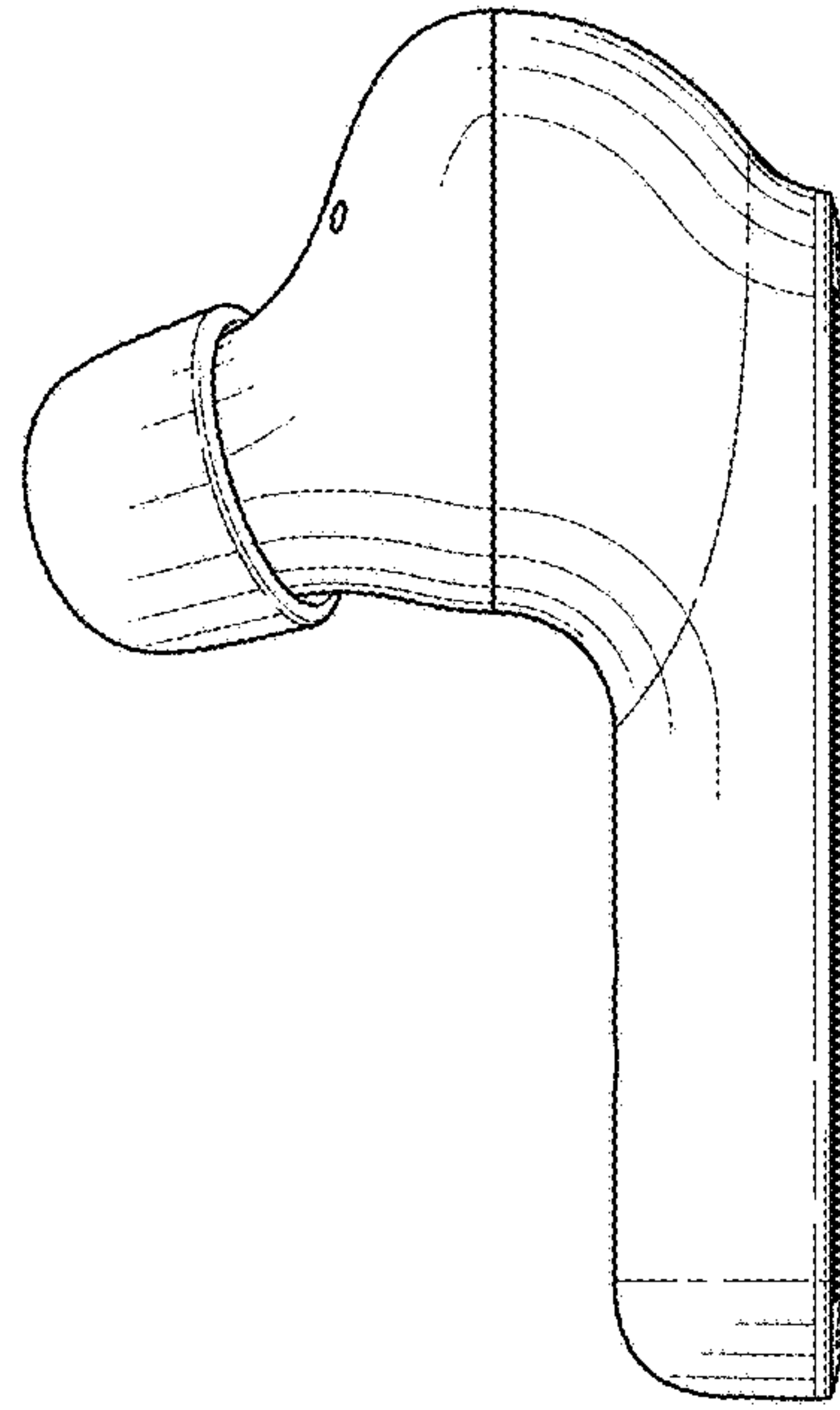


FIG. 10

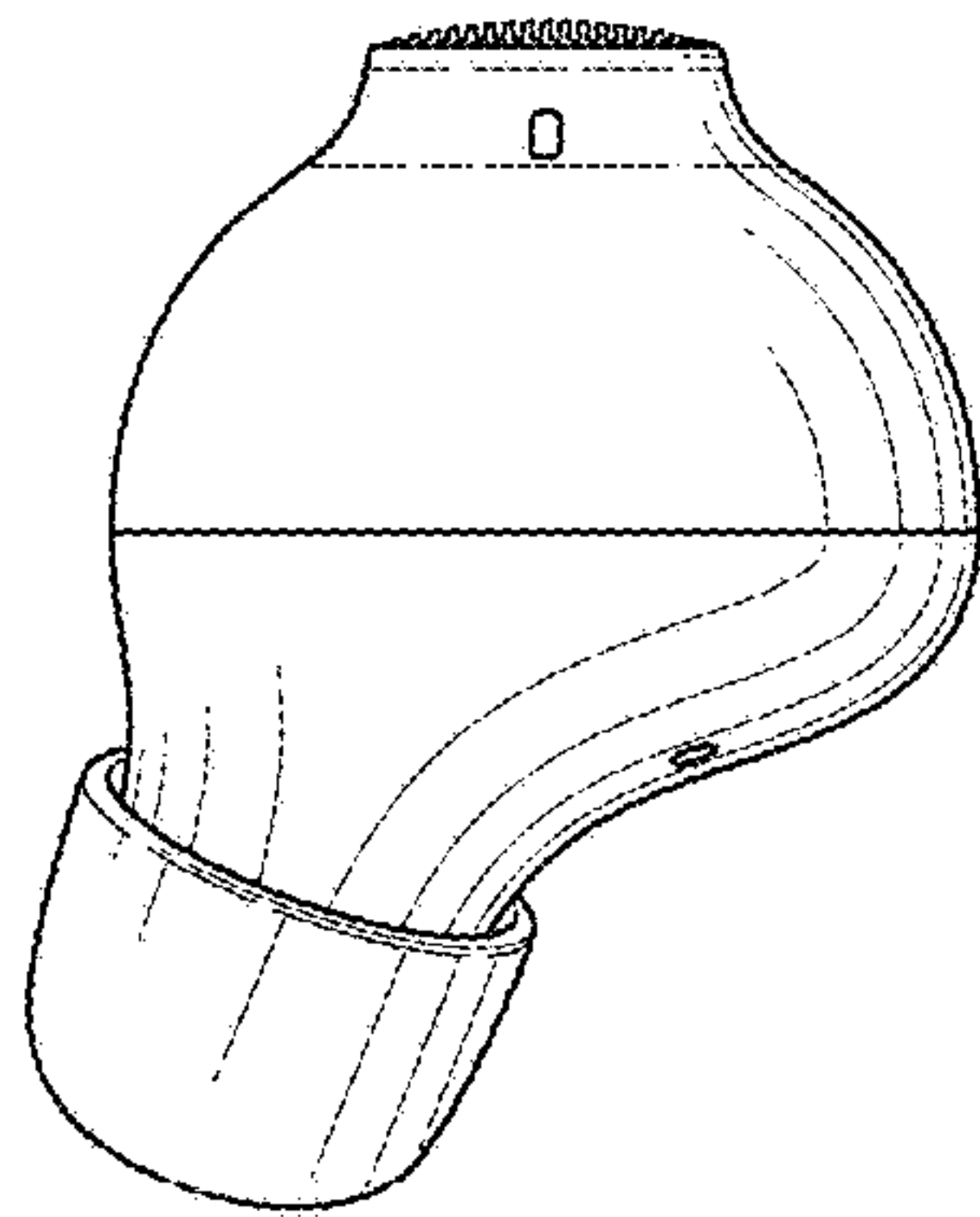


FIG. 11

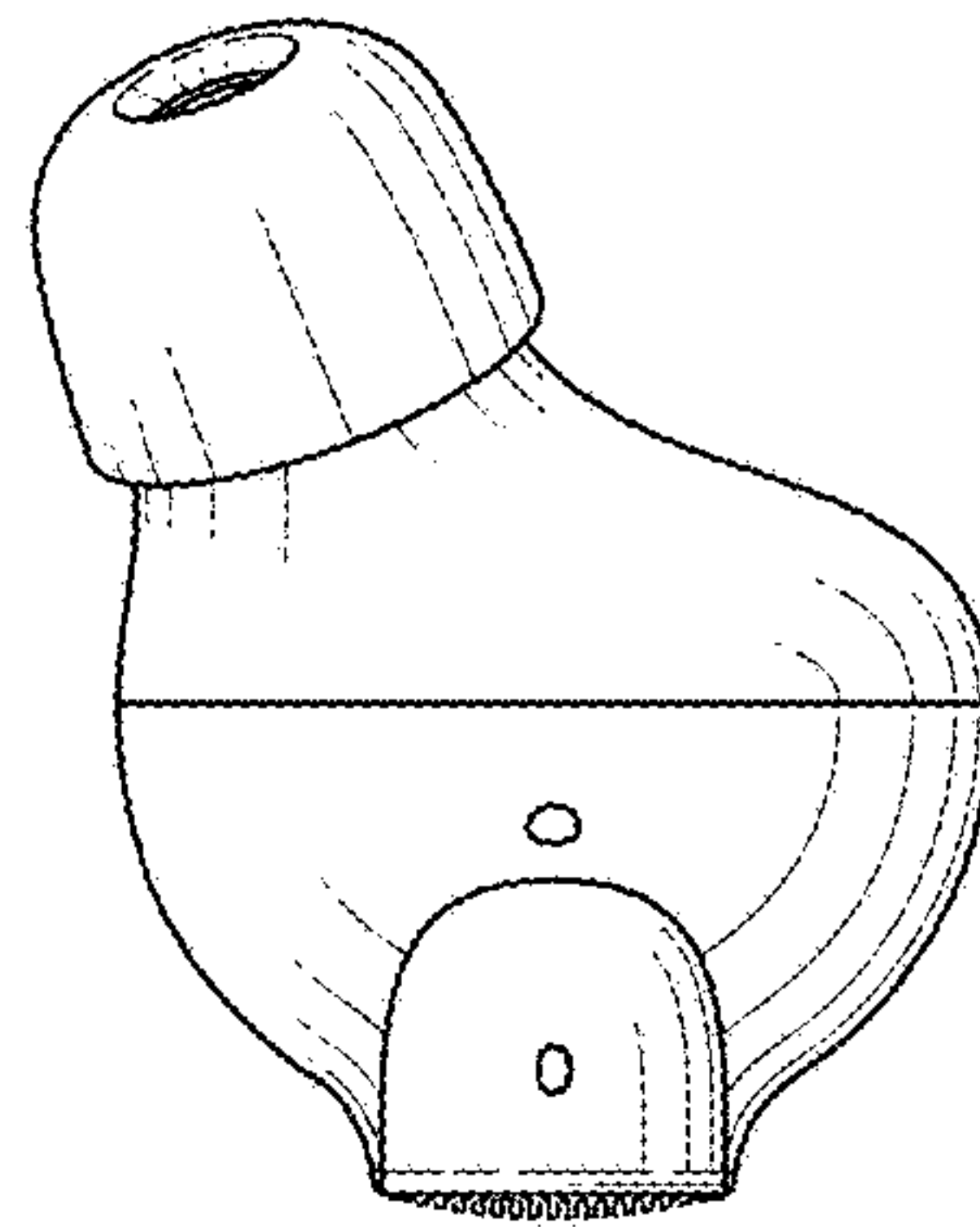


FIG. 12