



US00D847791S

(12) **United States Design Patent** (10) **Patent No.:** **US D847,791 S**
Jhun et al. (45) **Date of Patent:** **** May 7, 2019**

(54) **CONTROL PANEL**

(71) Applicant: **Crestron Electronics, Inc.**, Rockleigh, NJ (US)

(72) Inventors: **Sae Jhun**, New York, NY (US); **Howie Balch**, Bloomington, NJ (US); **Wendy Feldstein**, Old Tappan, NJ (US)

(73) Assignee: **Crestron Electronics, Inc.**, Rockleigh, NJ (US)

(**) Term: **15 Years**

(21) Appl. No.: **29/636,804**

(22) Filed: **Feb. 12, 2018**

(51) **LOC (11) Cl.** **14-03**

(52) **U.S. Cl.**
USPC **D14/217**

(58) **Field of Classification Search**
USPC D14/217, 257, 258, 434, 496, 162, 167, D14/175, 188, 196-198; D13/162, 164, D13/171, 174
CPC G10H 1/0066; G10H 1/0008; G10H 2220/106; G10H 1/32; G10H 2220/096; G10H 2230/015; G10H 1/38; G10H 1/0091; G10H 2210/125; G10H 1/34; G10H 1/348; G10H 1/02; G10H 1/46; G10H 1/0025; G10H 2210/066; G10H 2220/201; G10H 2220/241; G10H 2240/211; G10H 7/008; G10H 7/02; G10H 1/0058; G10H 2230/021; G10H 3/146; G10H 7/00; G10H 1/00; G10H 1/28; G10H 1/342; G10H 1/36; G10H 1/383; G10H 2210/081; G10H 2210/095; G10H 3/188; G10H 1/0033; G10H 1/0083; G10H 1/0575; G10H 1/06; G10H 1/18; G10H 1/386; G10H 2220/101

See application file for complete search history.

(56) **References Cited**

U.S. PATENT DOCUMENTS

D325,559	S	4/1992	Rosenbaum et al.	
D336,894	S	6/1993	Zaretsky et al.	
D352,025	S *	11/1994	Dellavecchia	D13/164
6,849,968	B2 *	2/2005	Park	H01H 9/181 200/308
D557,665	S *	12/2007	Hewson	D13/164
D573,956	S	7/2008	Hollner et al.	
7,432,463	B2	10/2008	Clegg et al.	
D585,841	S *	2/2009	Hollner	D13/164
D586,760	S *	2/2009	Hollner	D13/164
D588,072	S	3/2009	Hollner et al.	
D676,424	S *	2/2013	Ohashi	D14/217
D716,740	S *	11/2014	Rodriguez	D13/164
D717,249	S *	11/2014	Rodriguez	D13/164
D721,044	S *	1/2015	Rodriguez	D13/164
D721,659	S *	1/2015	Rodriguez	D13/164

(Continued)

OTHER PUBLICATIONS

Crestron Electronics, Inc., DO Guide, MPC-M10/MPC-M20/MPC-M25, MPC Media Presentation Controller, DOC. 7814A (2044892) Oct. 2016.

Primary Examiner — Khawaja Anwar

(74) *Attorney, Agent, or Firm* — Crestron Electronics, Inc.

(57) **CLAIM**

The ornamental design for a control panel, as shown and described.

DESCRIPTION

FIG. 1 shows a front perspective view of a control panel.
FIG. 2 shows a front elevation view of the control panel.
FIG. 3 shows a top view of the control panel.

(Continued)

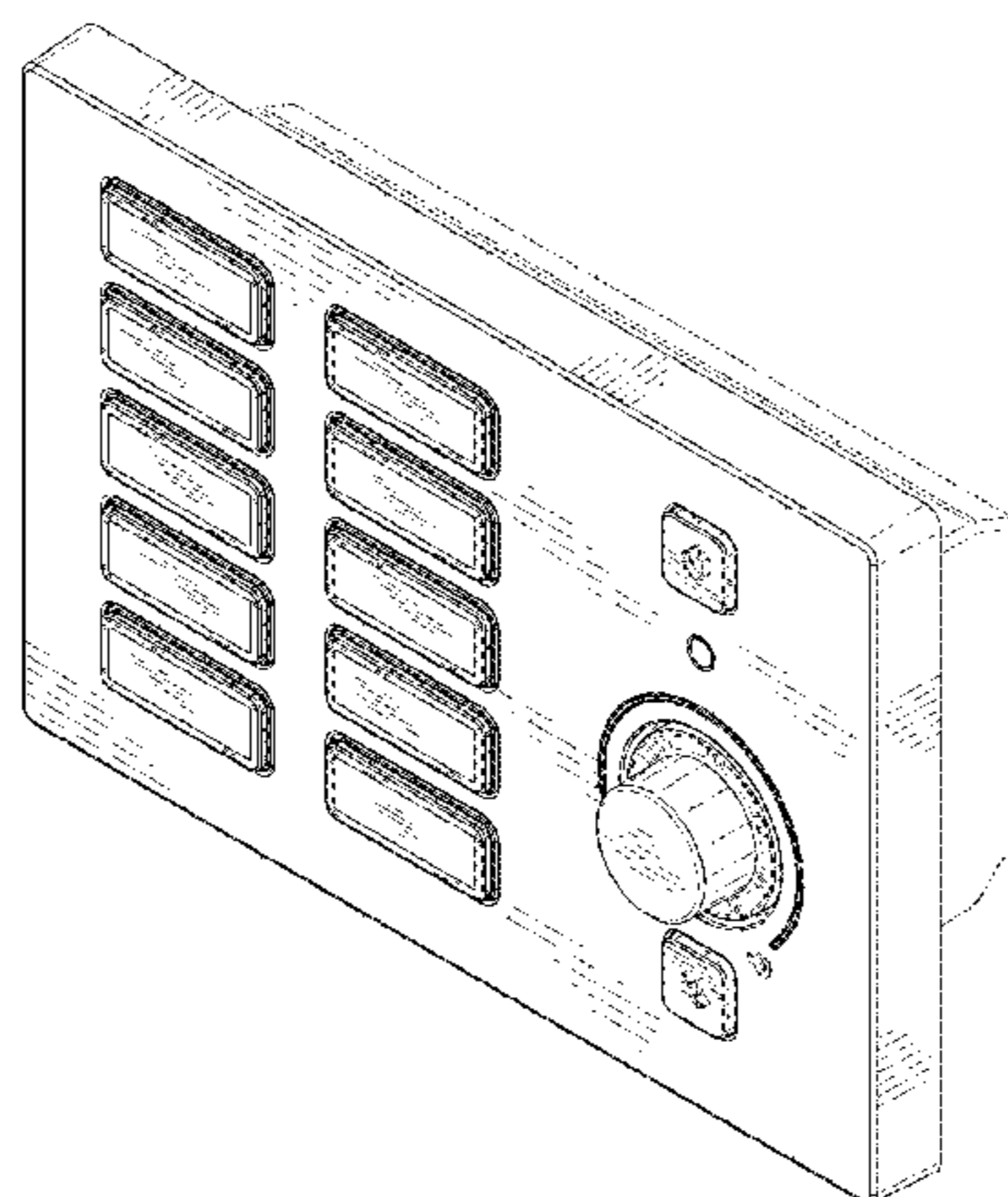


FIG. 4 shows a bottom view of the control panel.
FIG. 5 shows a left side view of the control panel; and,
FIG. 6 shows a right side view of the control panel.
The broken line portion of the figure drawings is included to
show unclaimed subject matter only and forms no part of the
claimed design.

1 Claim, 4 Drawing Sheets

(56)

References Cited

U.S. PATENT DOCUMENTS

D771,595 S	*	11/2016	Medas	D14/217
D815,064 S	*	4/2018	Garncarz	D14/217
D827,611 S	*	9/2018	Kuramoto	D14/217

* cited by examiner

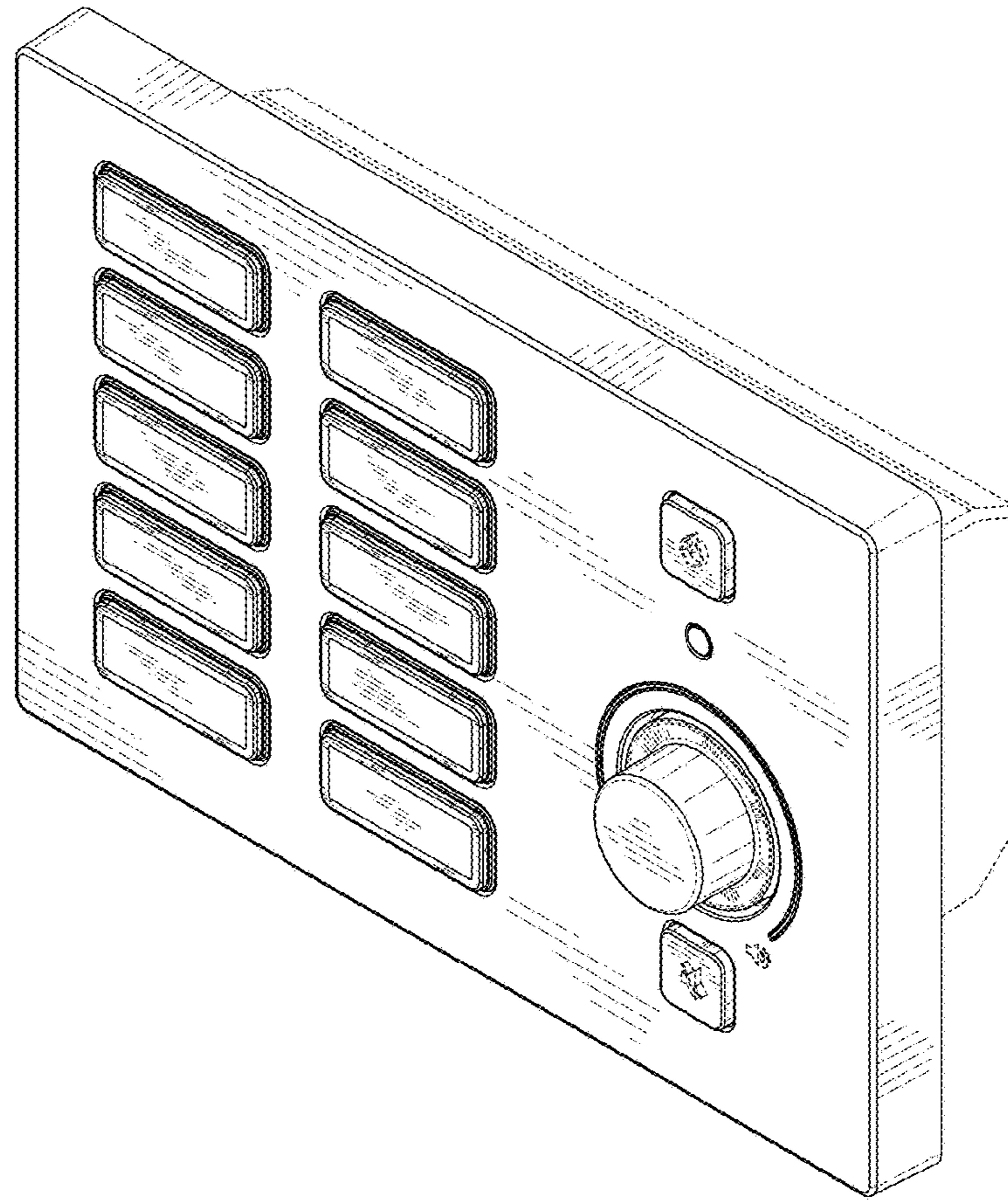


FIG. 1

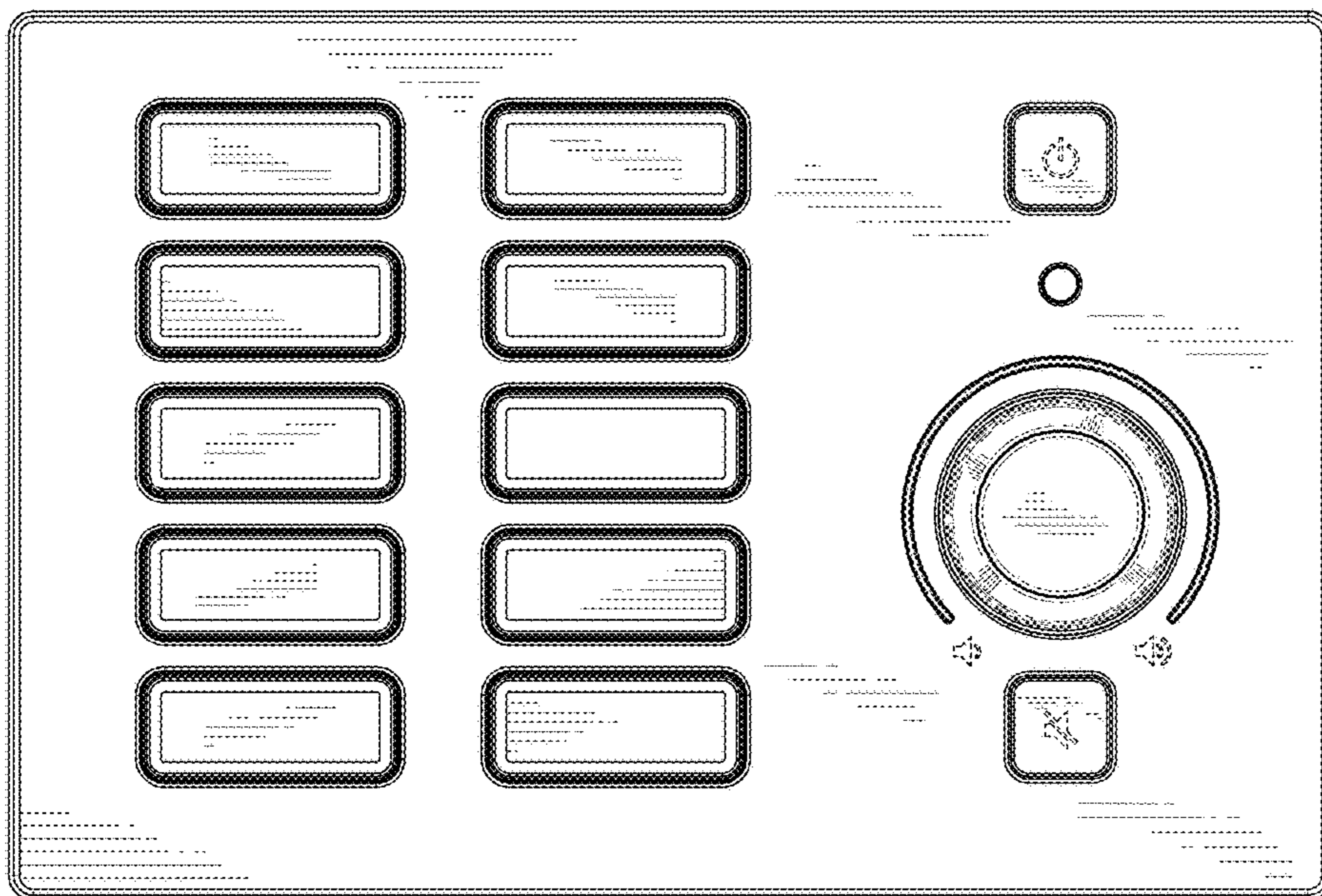


FIG. 2

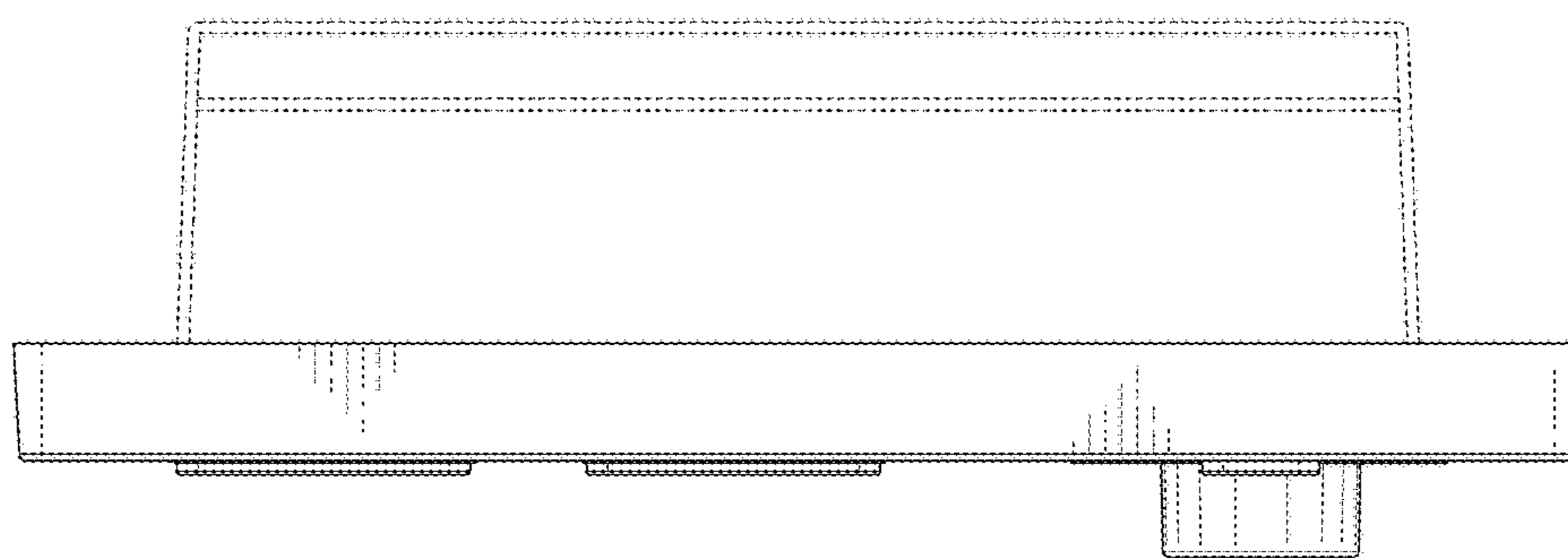


FIG. 3

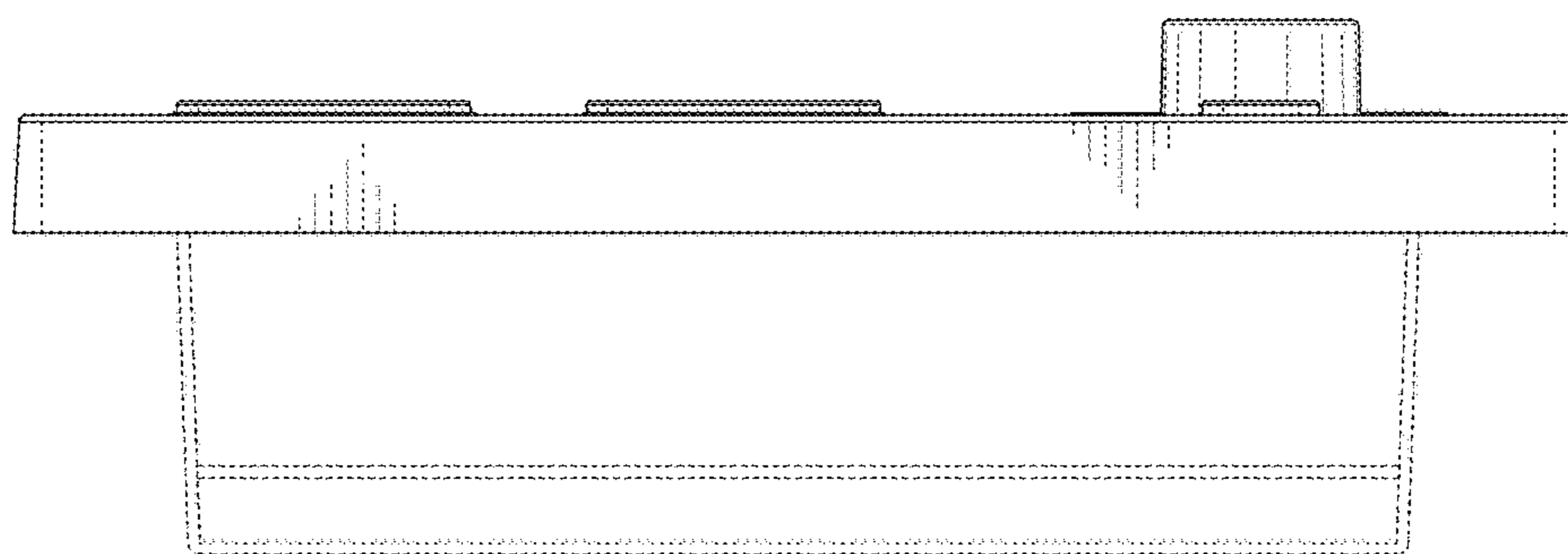


FIG. 4

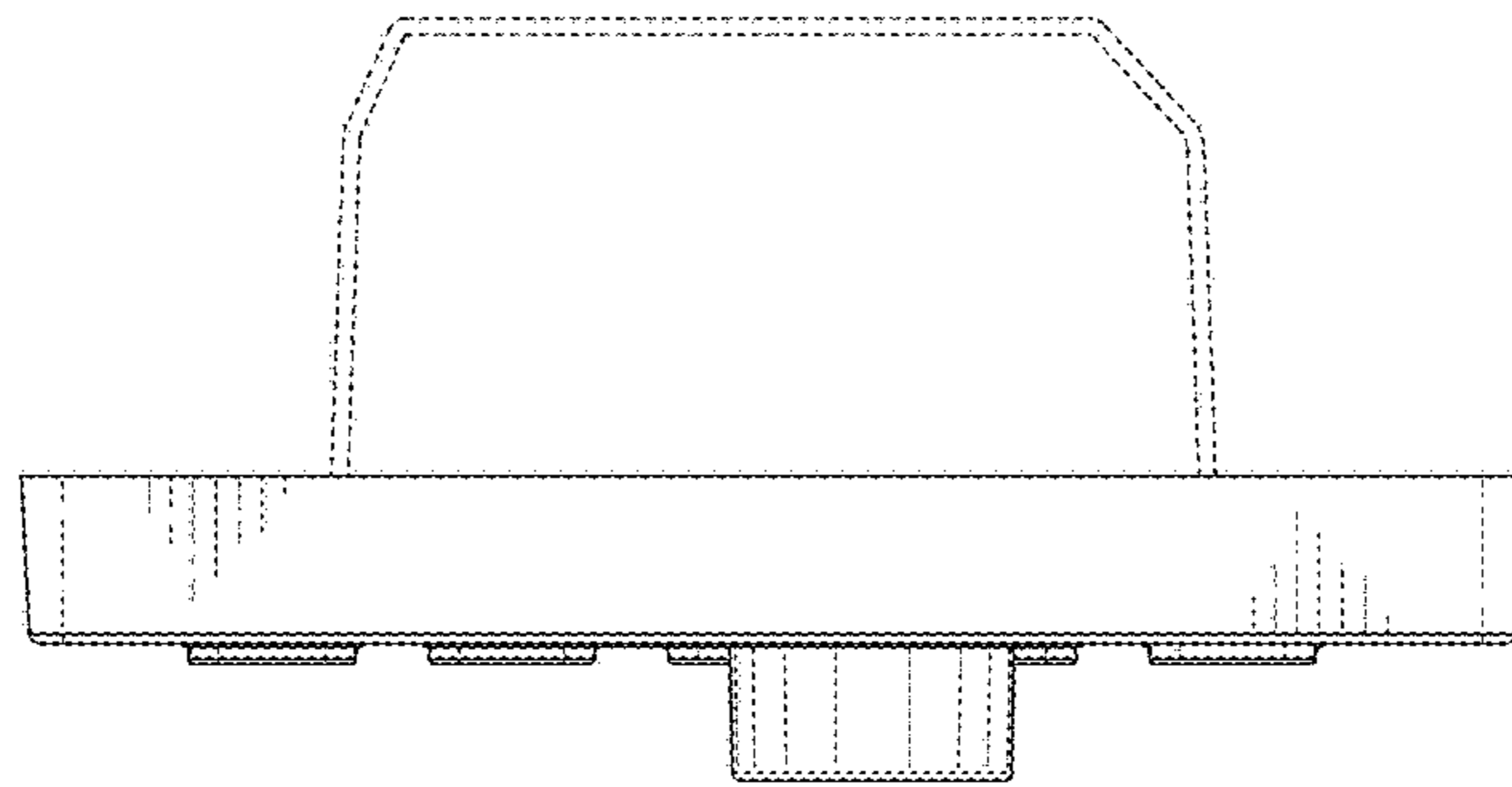


FIG. 6

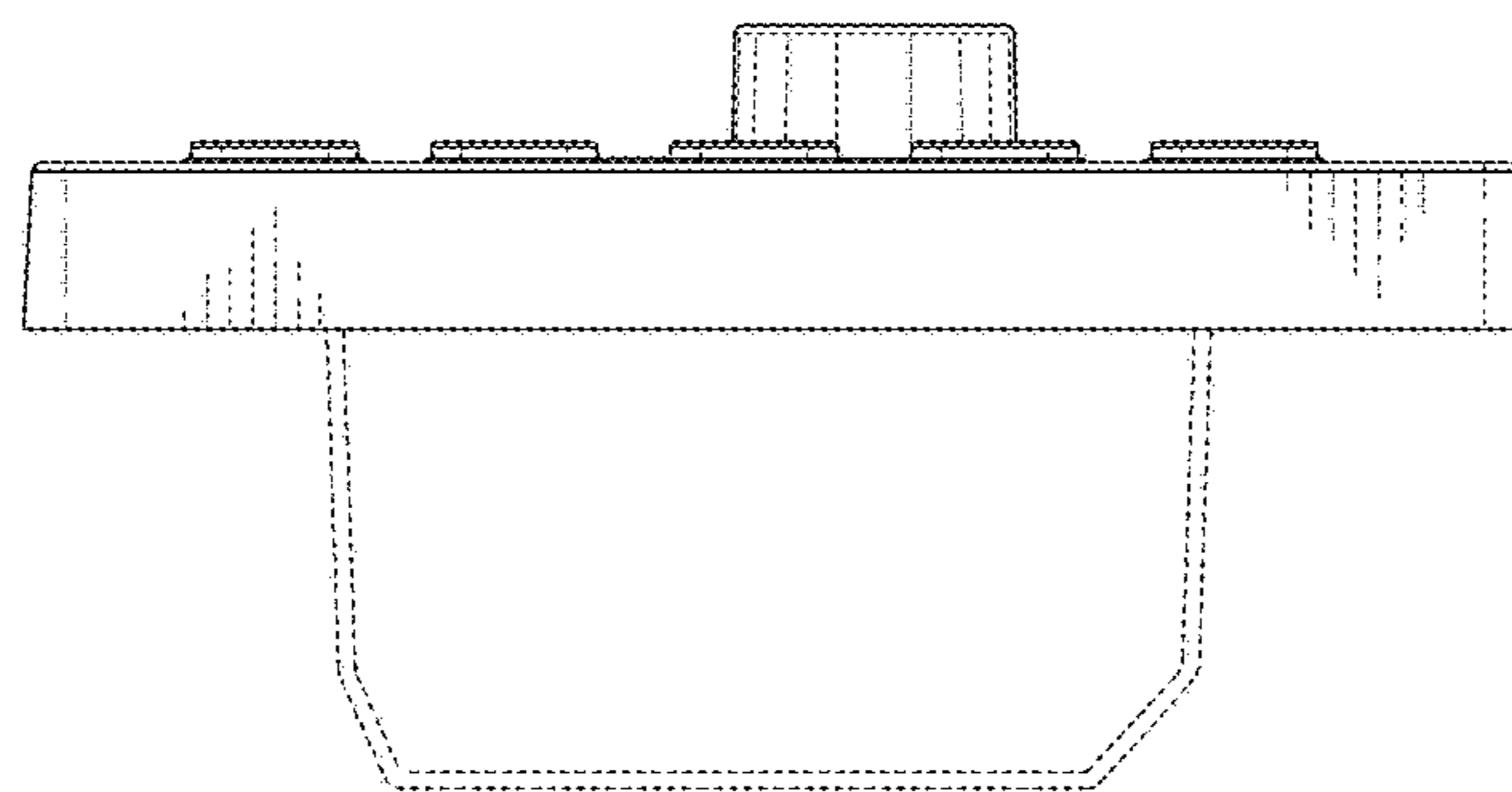


FIG. 5