



US00D847789S

(12) **United States Design Patent** (10) **Patent No.:** **US D847,789 S**
Virhiä et al. (45) **Date of Patent:** **** May 7, 2019**

(54) **SENSOR HOLDER**

(71) Applicant: **Zen-me Labs Oy**, Tampere (FI)

(72) Inventors: **Toni Matti Virhiä**, Tampere (FI);
Harri Päiviö Koskinen, Helsinki (FI);
Janne Petteri Rätty, Helsinki (FI)

(73) Assignee: **Zen-me Labs Oy**, Tampere (FI)

(**) Term: **15 Years**

(21) Appl. No.: **29/598,432**

(22) Filed: **Mar. 26, 2017**

(51) **LOC (11) Cl.** **14-03**

(52) **U.S. Cl.**
USPC **D14/217**

(58) **Field of Classification Search**
USPC D14/217, 432, 433, 434, 341-347, 371,
D14/426, 427; D11/3; D10/30-39, 128;
D13/107, 108

(Continued)

(56) **References Cited**

U.S. PATENT DOCUMENTS

D686,629 S * 7/2013 Trinh D14/447
D698,442 S * 1/2014 Steward, Jr. D24/161

(Continued)

Primary Examiner — Khawaja Anwar

(74) *Attorney, Agent, or Firm* — BelayIP Oy

(57) **CLAIM**

The ornamental design of a sensor holder, substantially as shown and described.

DESCRIPTION

FIG. 1 is a side perspective view of a sensor holder in accordance with the present invention.

FIG. 2 is a top perspective view of the sensor holder in FIG. 1.

FIG. 3 is a top view thereof.

FIG. 4 is a bottom view thereof.

FIG. 5 is a left view thereof.

FIG. 6 is a right view thereof.

FIG. 7 is a front view thereof.

FIG. 8 is a back view thereof.

FIG. 9 is a side perspective view of another embodiment of a sensor holder in accordance with the present invention.

FIG. 10 is a top perspective view of the sensor holder in FIG. 9.

FIG. 11 is a top view thereof.

FIG. 12 is a bottom view thereof.

FIG. 13 is a left view thereof.

FIG. 14 is a right view thereof.

FIG. 15 is a front view thereof.

FIG. 16 is a back view thereof.

FIG. 17 is a side perspective view of another embodiment of a sensor holder in accordance with the present invention.

FIG. 18 is a top perspective view of the sensor holder in FIG. 17.

FIG. 19 is a top view thereof.

FIG. 20 is a bottom view thereof.

FIG. 21 is a left view thereof.

FIG. 22 is a right view thereof.

FIG. 23 is a front view thereof.

FIG. 24 is a back view thereof.

FIG. 25 is a side perspective view of another embodiment of a sensor holder in accordance with the present invention.

FIG. 26 is a top perspective view of the sensor holder in FIG. 25.

FIG. 27 is a top view thereof.

FIG. 28 is a bottom view thereof.

FIG. 29 is a left view thereof.

FIG. 30 is a right view thereof.

FIG. 31 is a front view thereof.

FIG. 32 is a back view thereof.

FIG. 33 is a side perspective view of another embodiment of a sensor holder in accordance with the present invention.

FIG. 34 is a top perspective view of the sensor holder in FIG. 33.

FIG. 35 is a top view thereof.

FIG. 36 is a bottom view thereof.

FIG. 37 is a left view thereof.

(Continued)

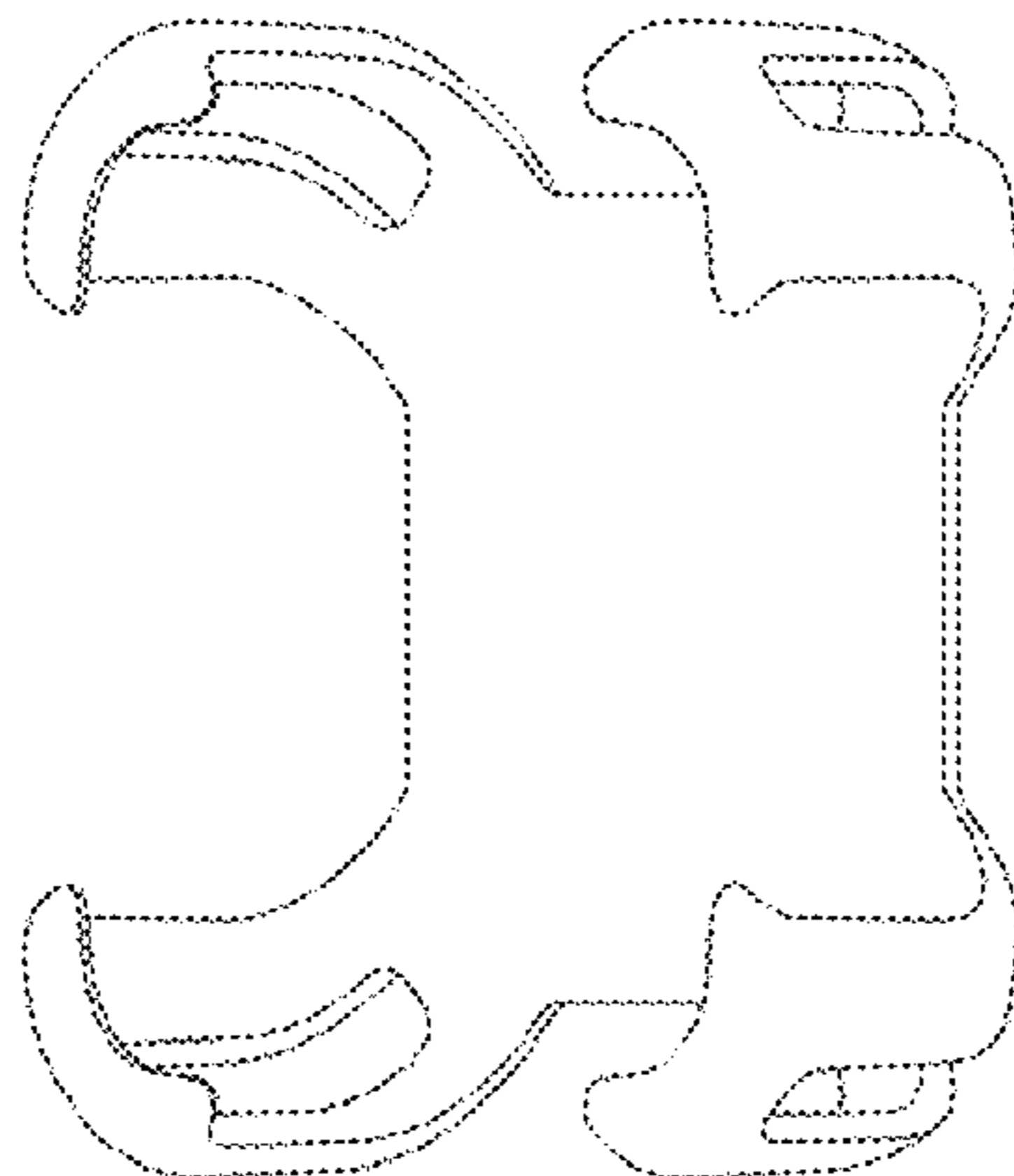


FIG. 38 is a right view thereof.
 FIG. 39 is a front view thereof.
 FIG. 40 is a back view thereof.
 FIG. 41 is a side perspective view of another embodiment of a sensor holder in accordance with the present invention.
 FIG. 42 is a top perspective view of the sensor holder in FIG. 41.
 FIG. 43 is a top view thereof.
 FIG. 44 is a bottom view thereof.
 FIG. 45 is a left view thereof.
 FIG. 46 is a right view thereof.
 FIG. 47 is a front view thereof.
 FIG. 48 is a back view thereof.
 FIG. 49 is a side perspective view of another embodiment of a sensor holder in accordance with the present invention.
 FIG. 50 is a top perspective view of the sensor holder in FIG. 49.
 FIG. 51 is a top view thereof.
 FIG. 52 is a bottom view thereof.
 FIG. 53 is a left view thereof.
 FIG. 54 is a right view thereof.
 FIG. 55 is a front view thereof.
 FIG. 56 is a back view thereof.
 FIG. 57 is a side perspective view of another embodiment of a sensor holder in accordance with the present invention.
 FIG. 58 is a top perspective view of the sensor holder in FIG. 57.
 FIG. 59 is a top view thereof.
 FIG. 60 is a bottom view thereof.
 FIG. 61 is a left view thereof.
 FIG. 62 is a right view thereof.
 FIG. 63 is a front view thereof; and,
 FIG. 64 is a back view thereof.

The broken lines, within the claimed design, in embodiments 2, 3, 4 and 5 in the corners of the sensor holder that depict openings in the four corner fingers of the sensor holder are for illustrative purposes only. The broken lines, within the claimed design, in embodiments 2-4 and 6-8 of the sensor holder that depict either a circle in the center of the bottom view or two vertical lines on either side of a circle are superimposed on a continuous surface and are for illustrative purposes only. None of the broken lines for a part of the claimed design.

1 Claim, 16 Drawing Sheets

(58) **Field of Classification Search**

CPC A61M 16/0488; A61M 16/04; A61M 16/0415; A61M 16/0418; A61M 16/0434; A61M 16/0479; A61M 16/0486; A61M 16/0493; A61M 16/0497; A61M 2025/022; A61M 2205/32; A61M 25/02; H04W 4/008; H04W 4/027

See application file for complete search history.

(56) **References Cited**

U.S. PATENT DOCUMENTS

D755,972 S * 5/2016 Steward, Jr. D24/161
 D765,064 S * 8/2016 Wengreen D14/238.1
 D775,534 S * 1/2017 Turksu D10/31
 D777,167 S * 1/2017 Wengreen D14/447
 D790,528 S * 6/2017 Lindloff D14/253
 D800,700 S * 10/2017 Bergman D14/217
 D825,576 S * 8/2018 Krupa D14/447

* cited by examiner

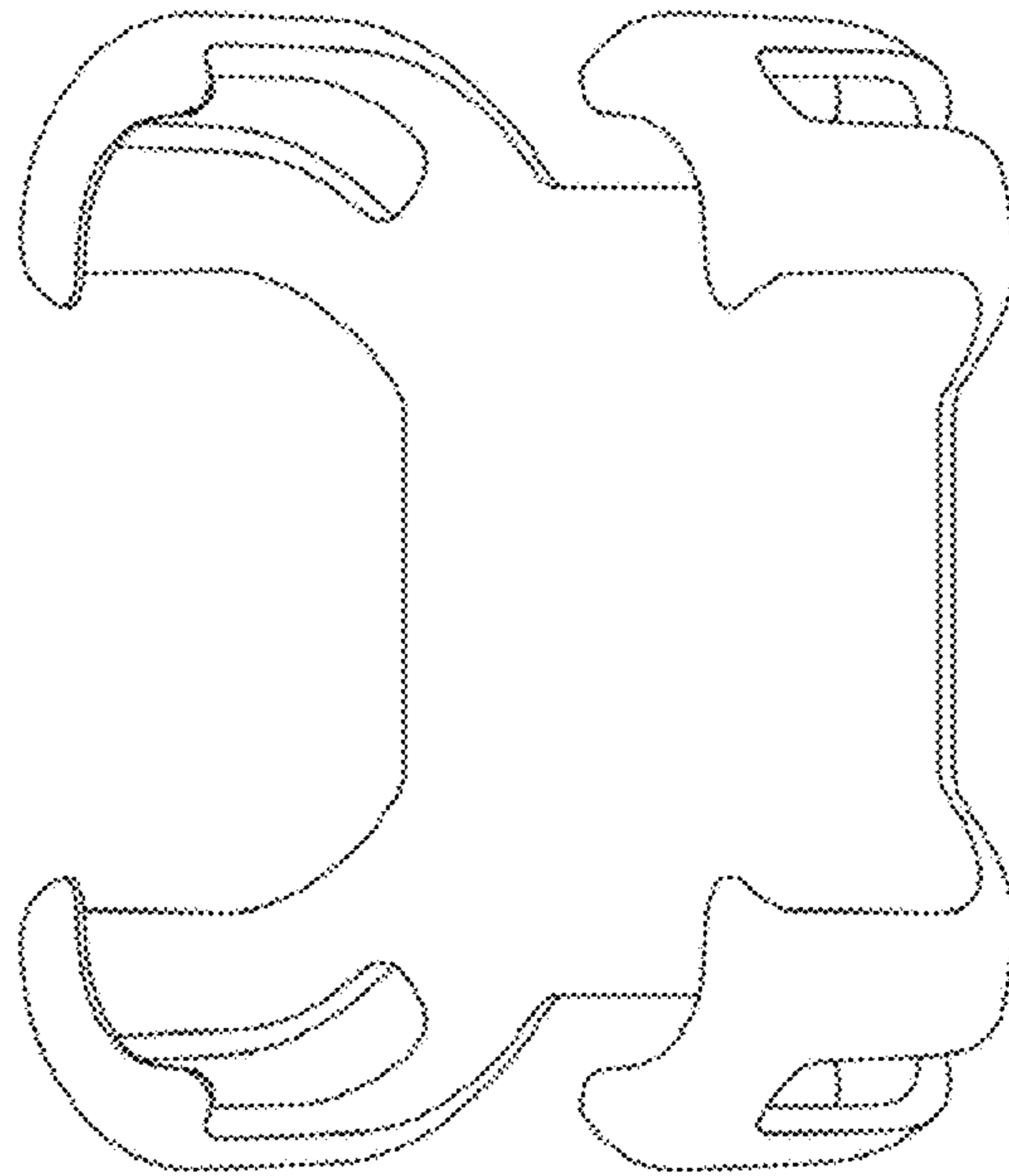


FIG. 1

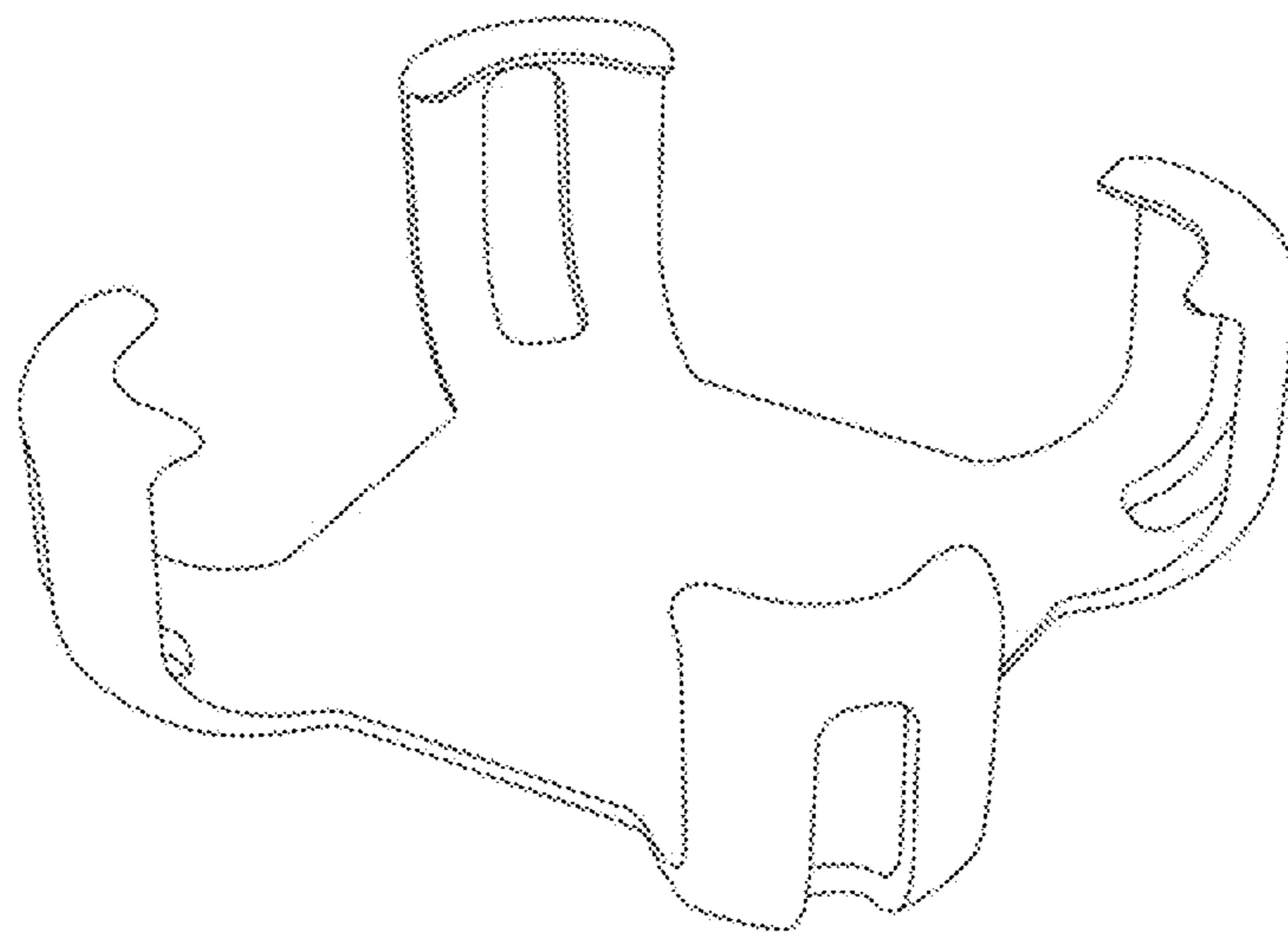
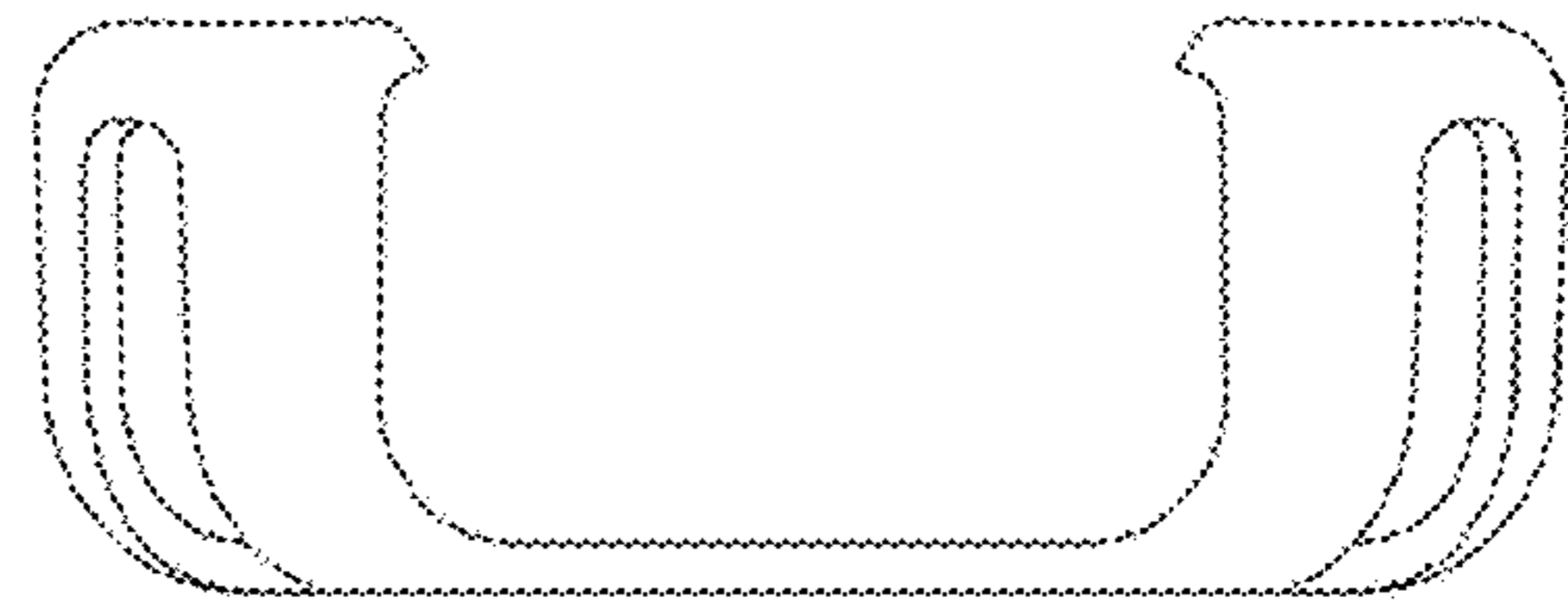
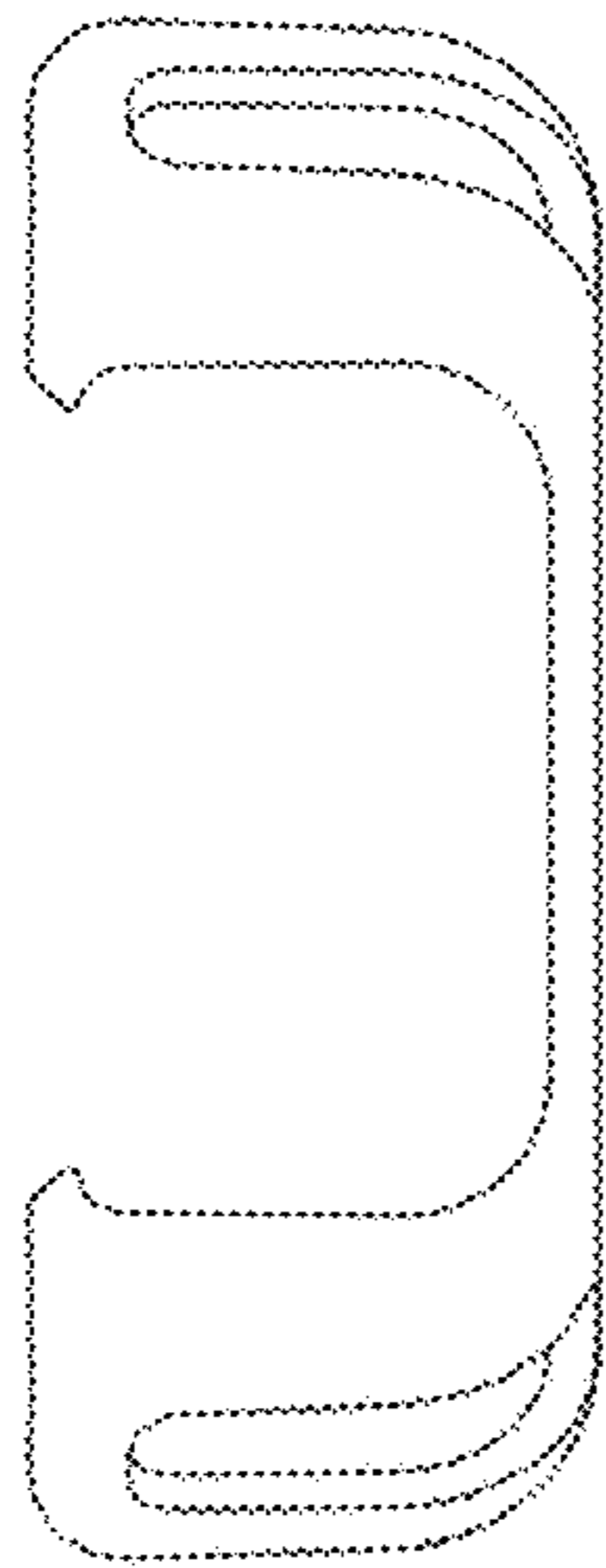
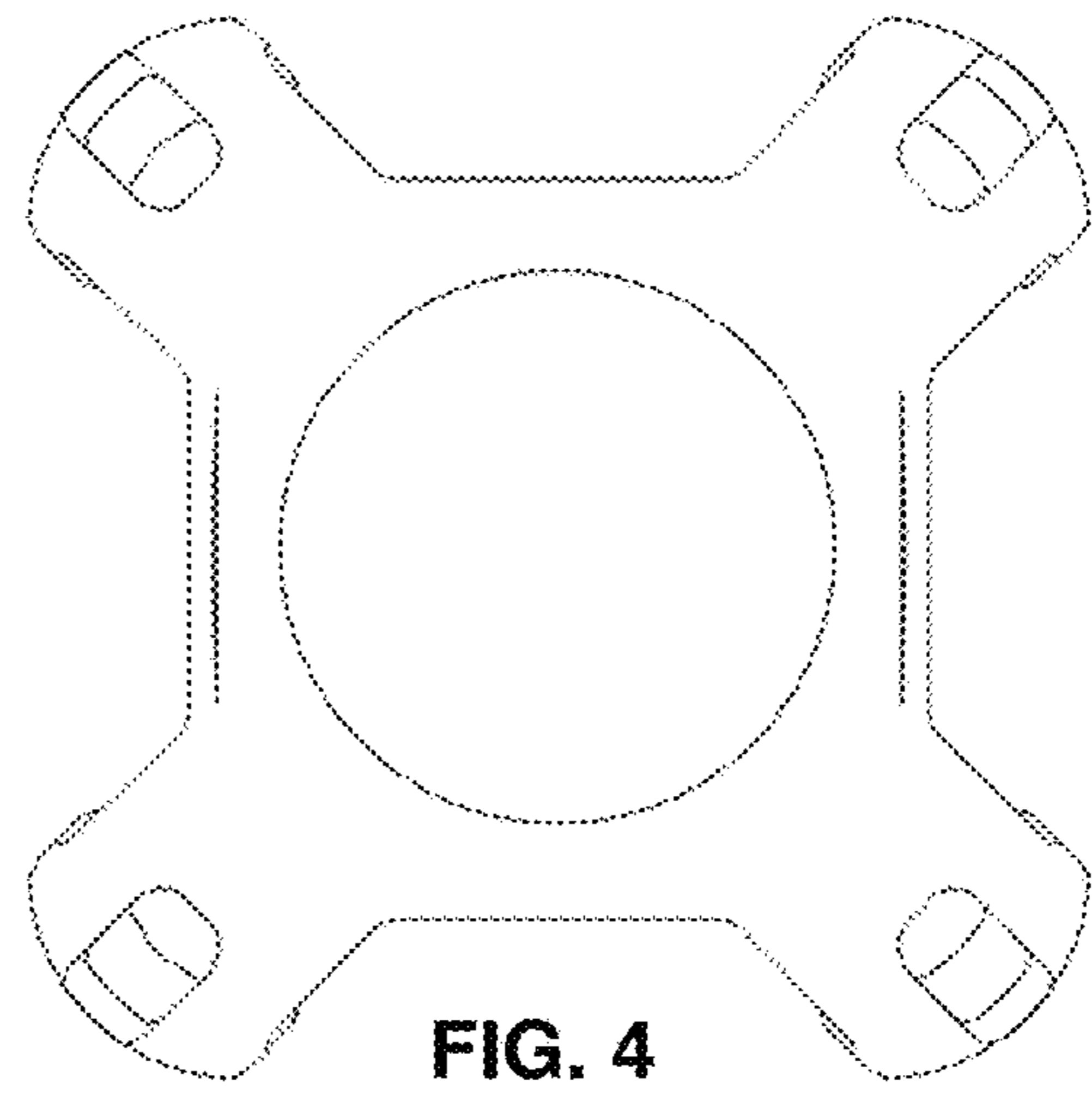
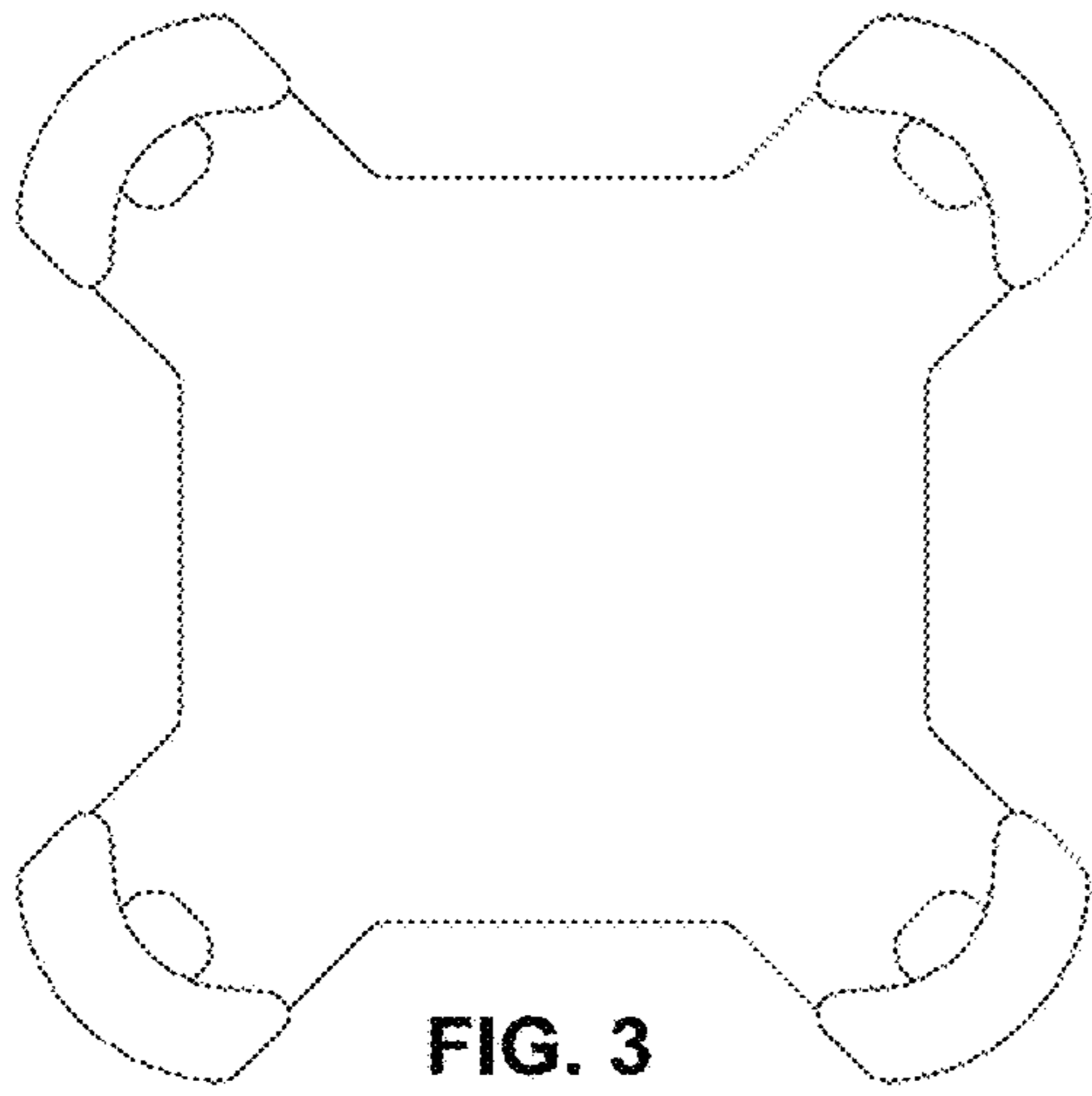


FIG. 2



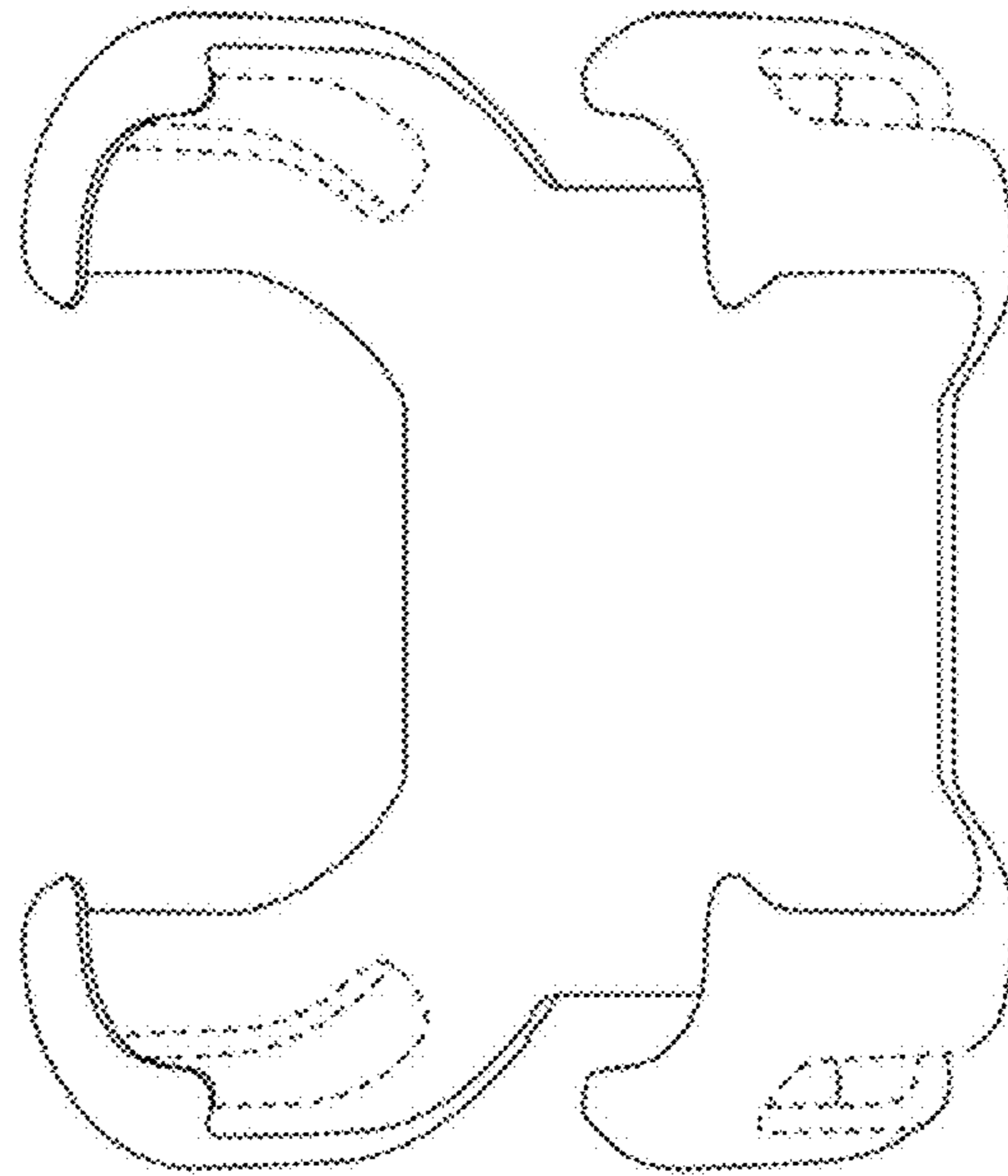


FIG. 9

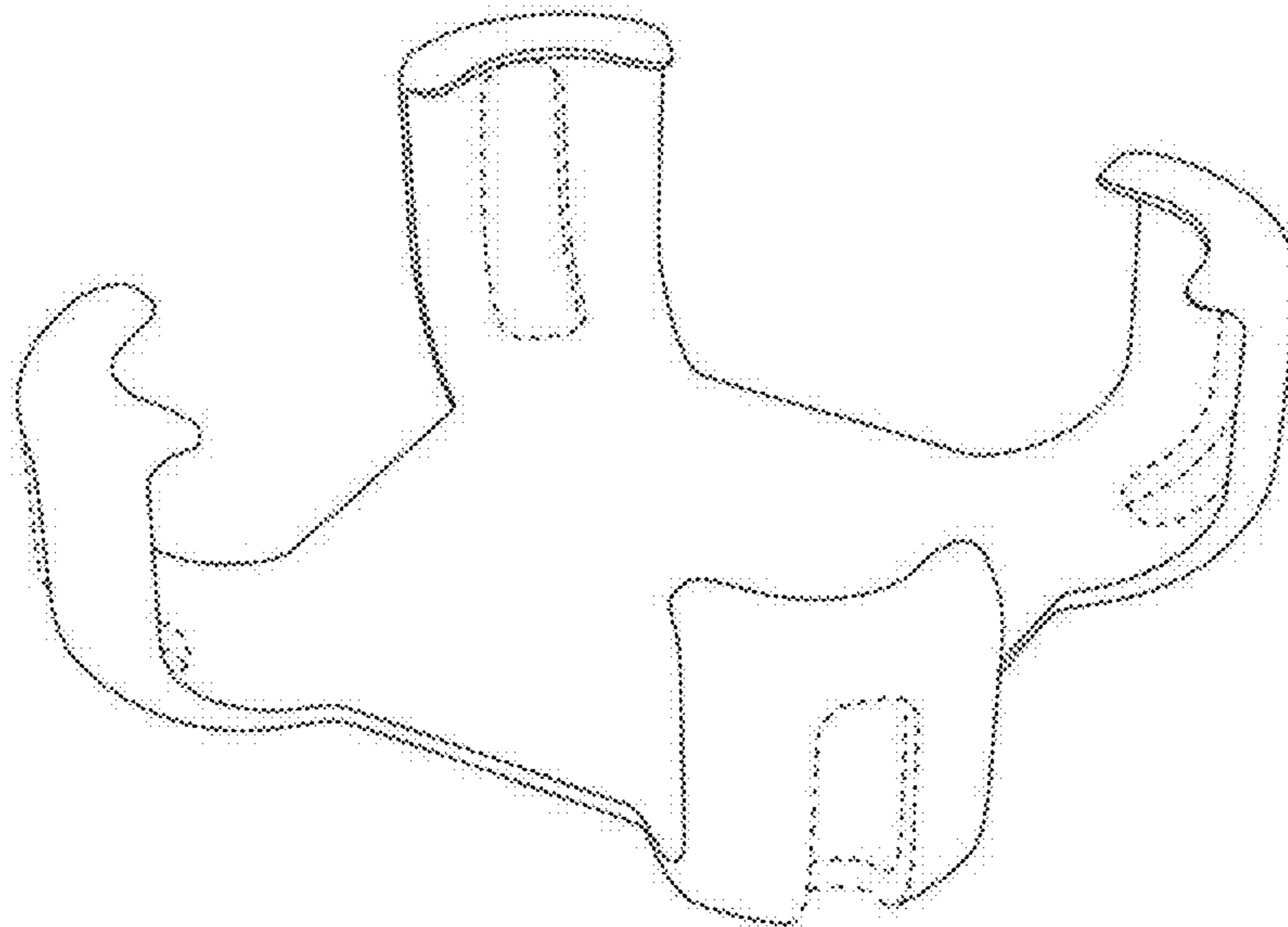


FIG. 10

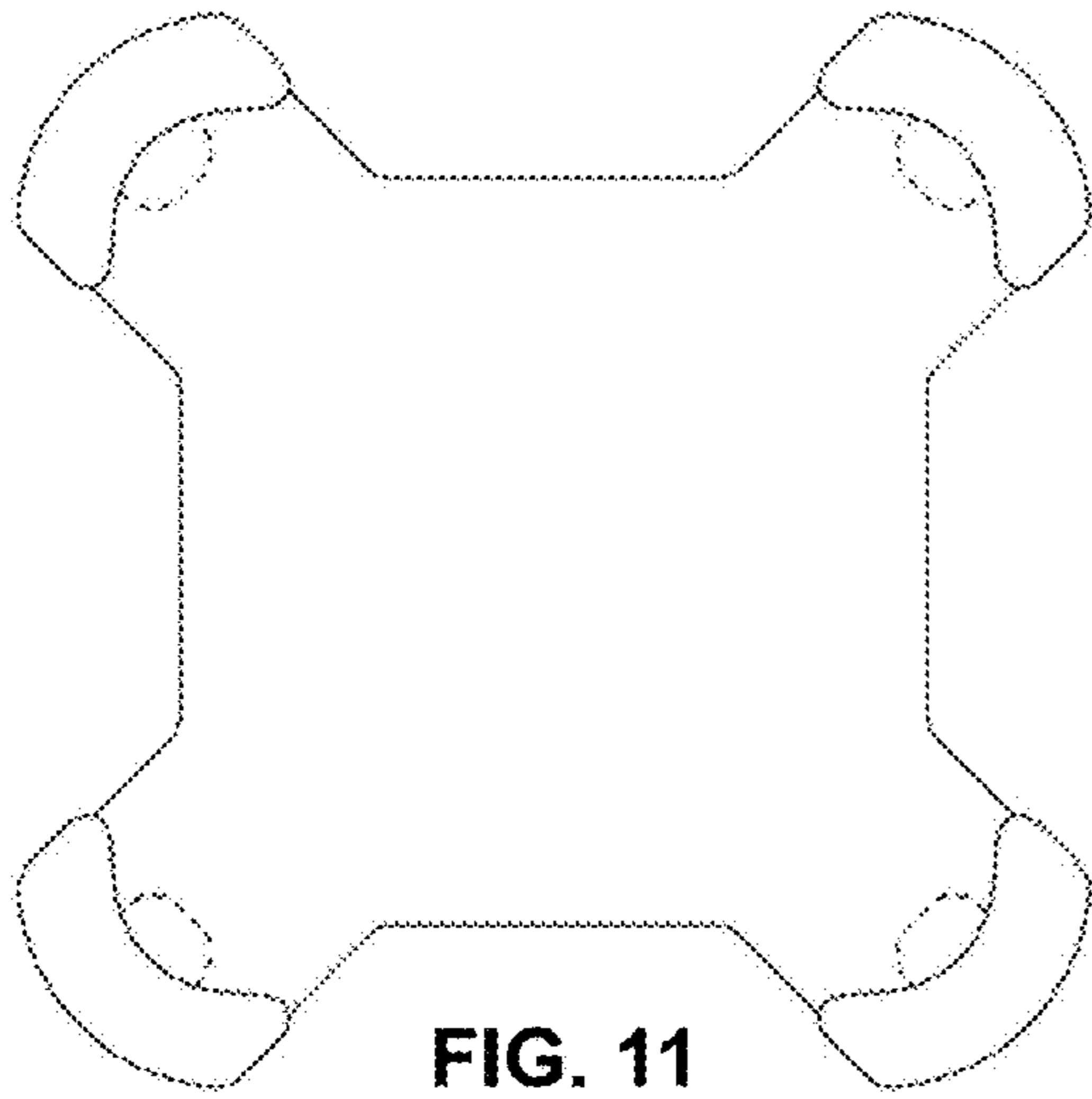


FIG. 11

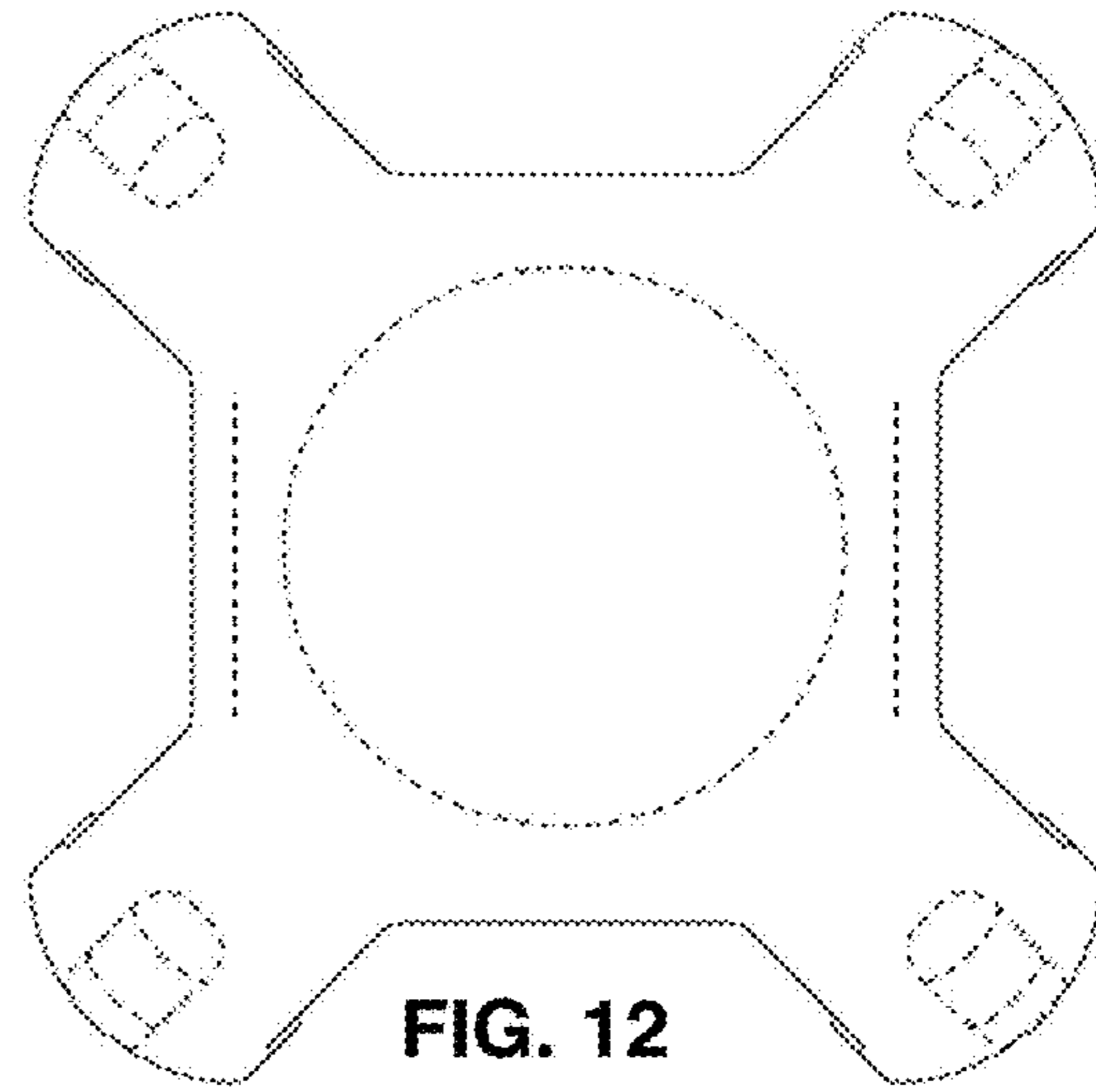


FIG. 12



FIG.13

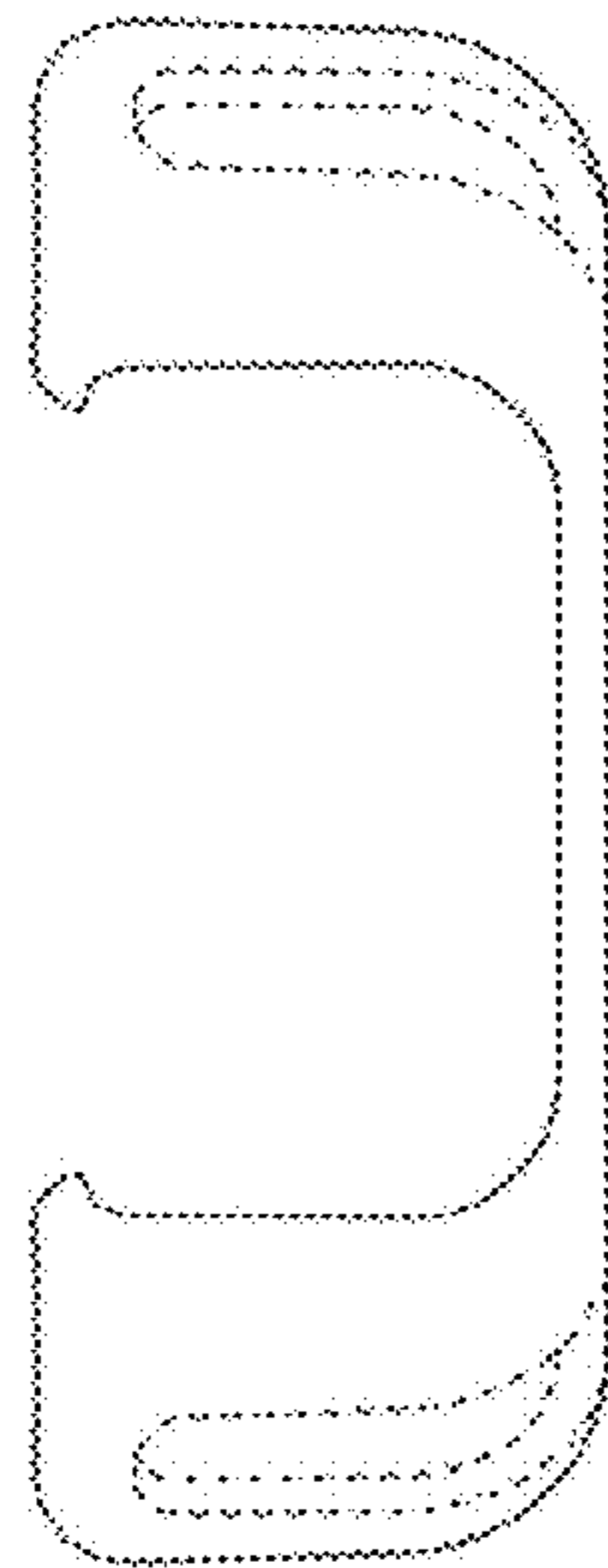


FIG.14

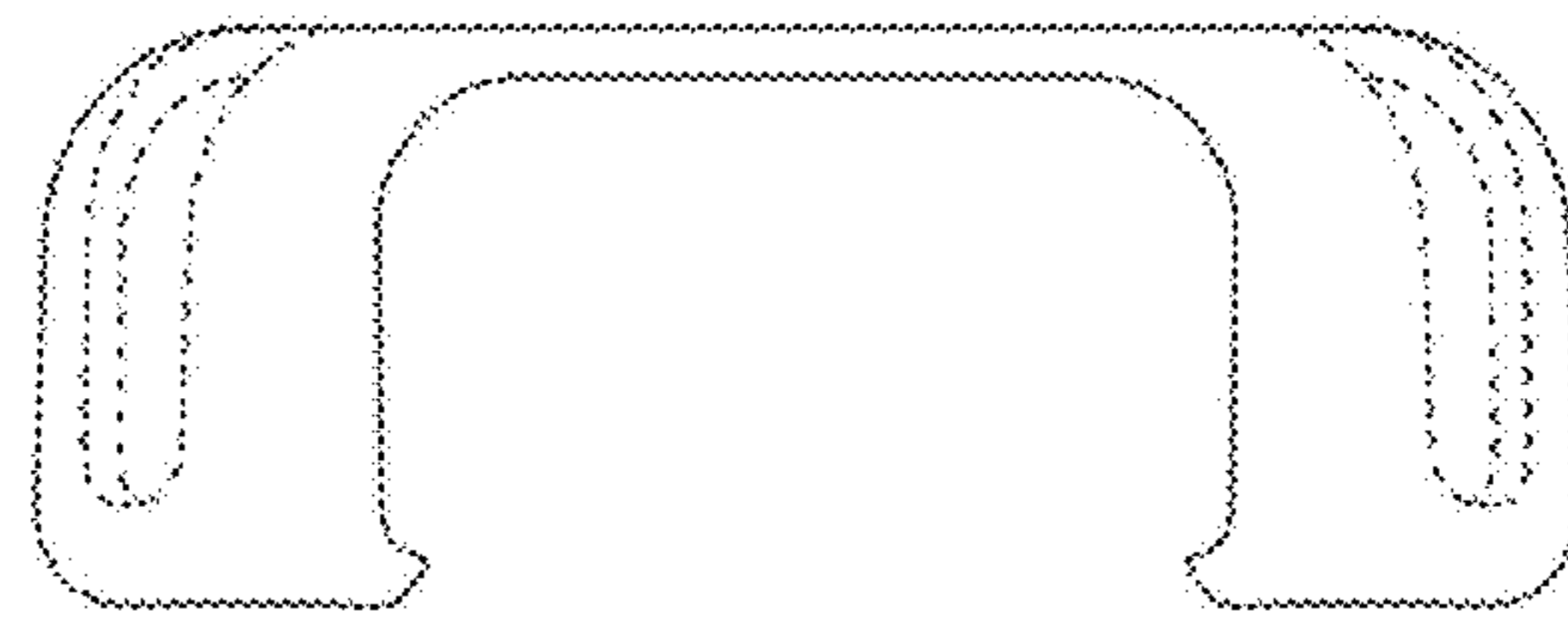


FIG. 15

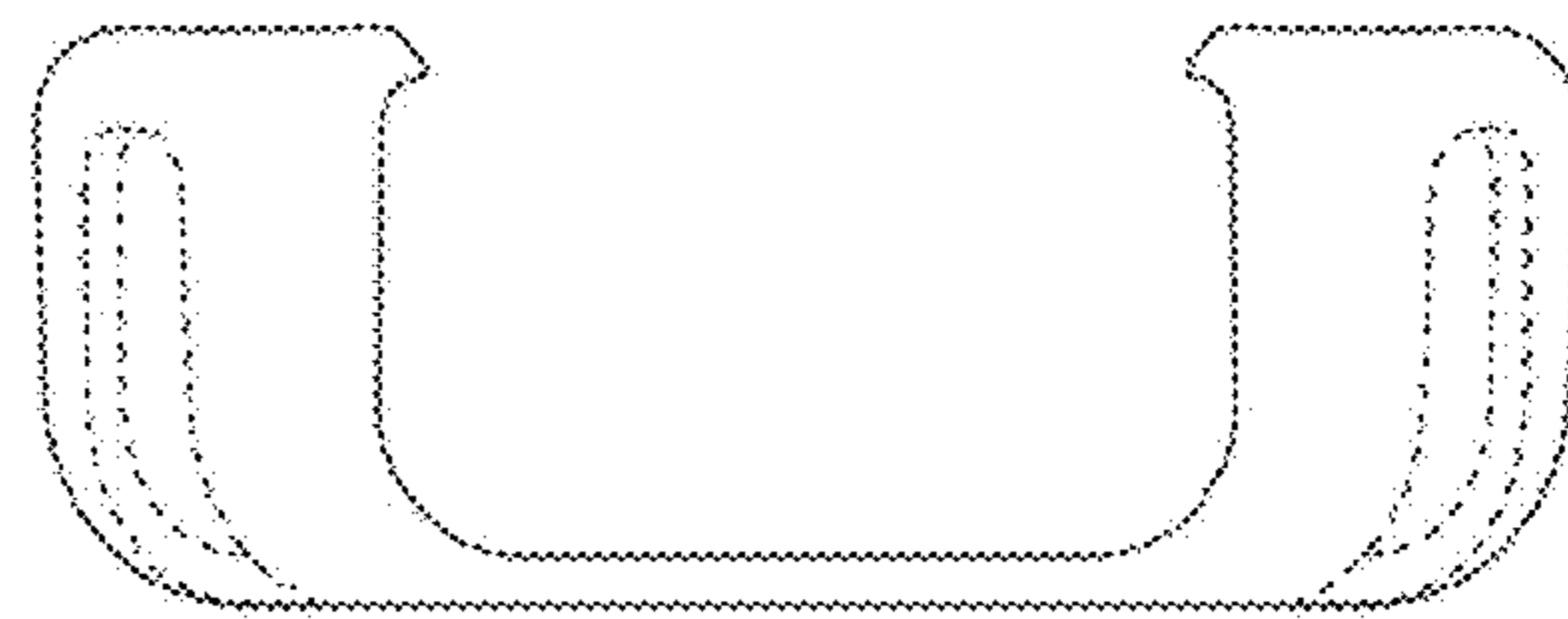


FIG. 16

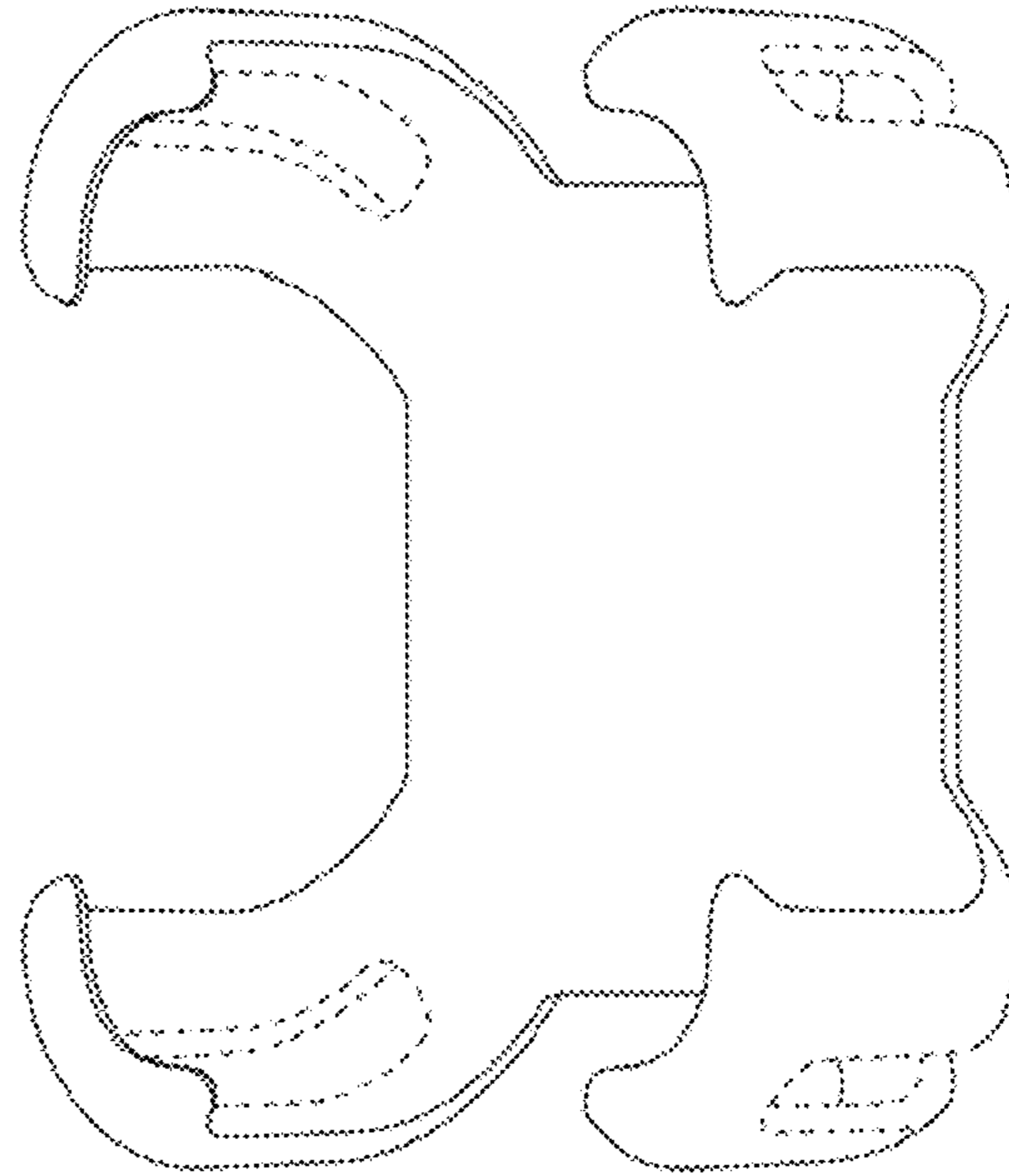


FIG. 17

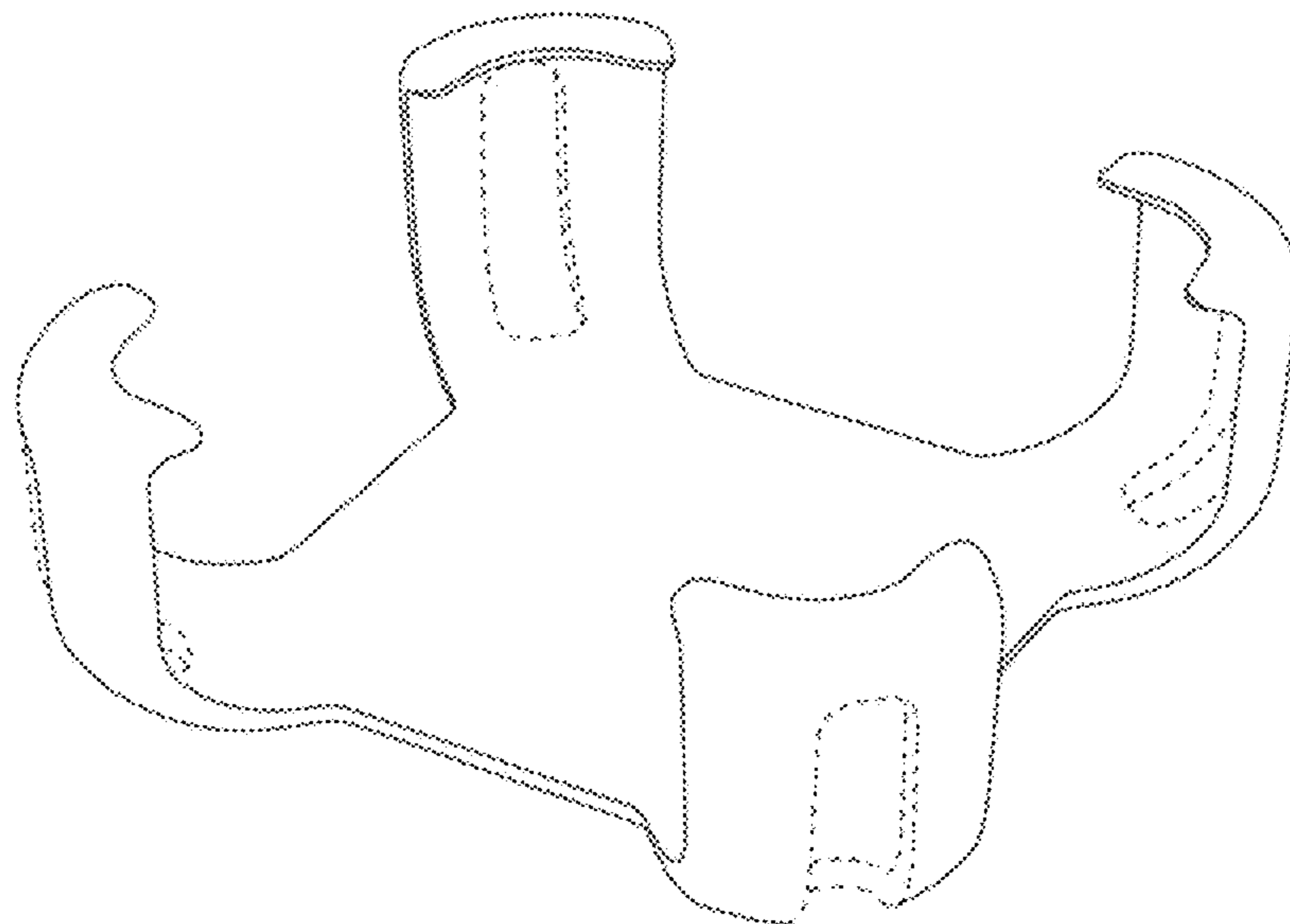


FIG. 18

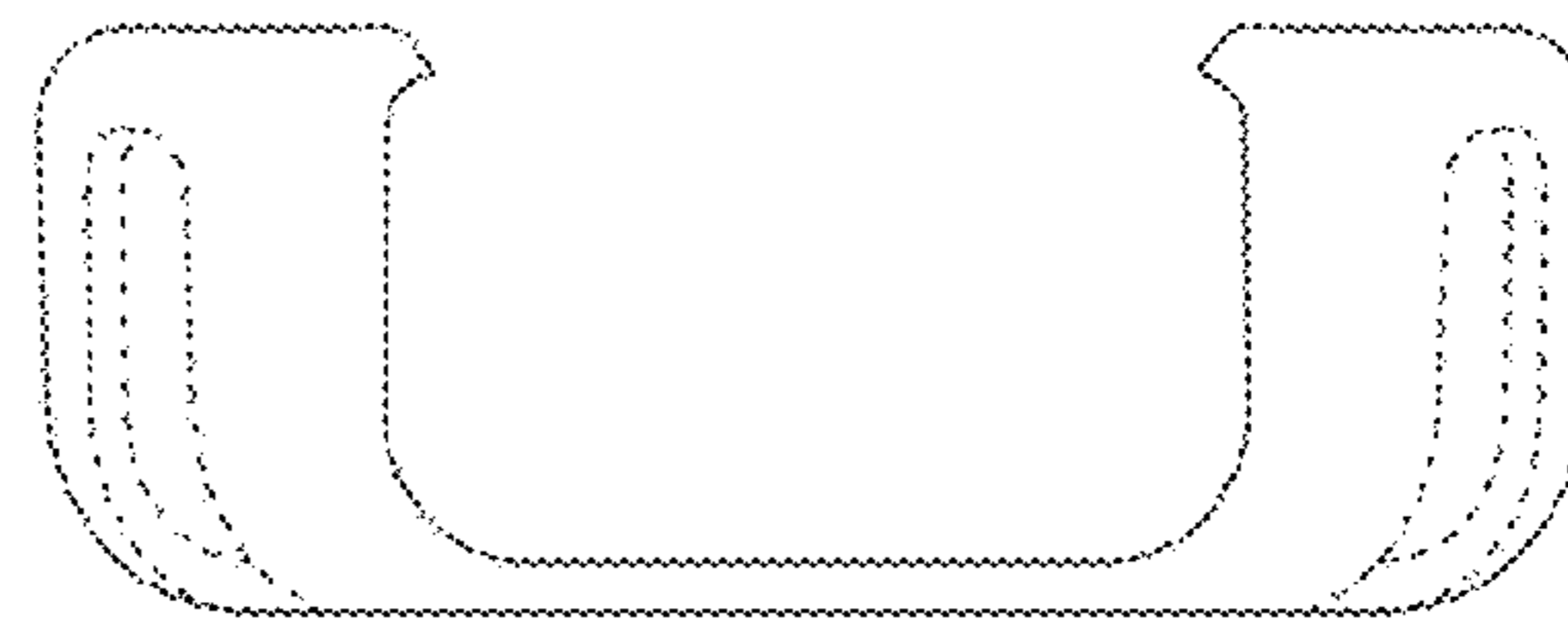
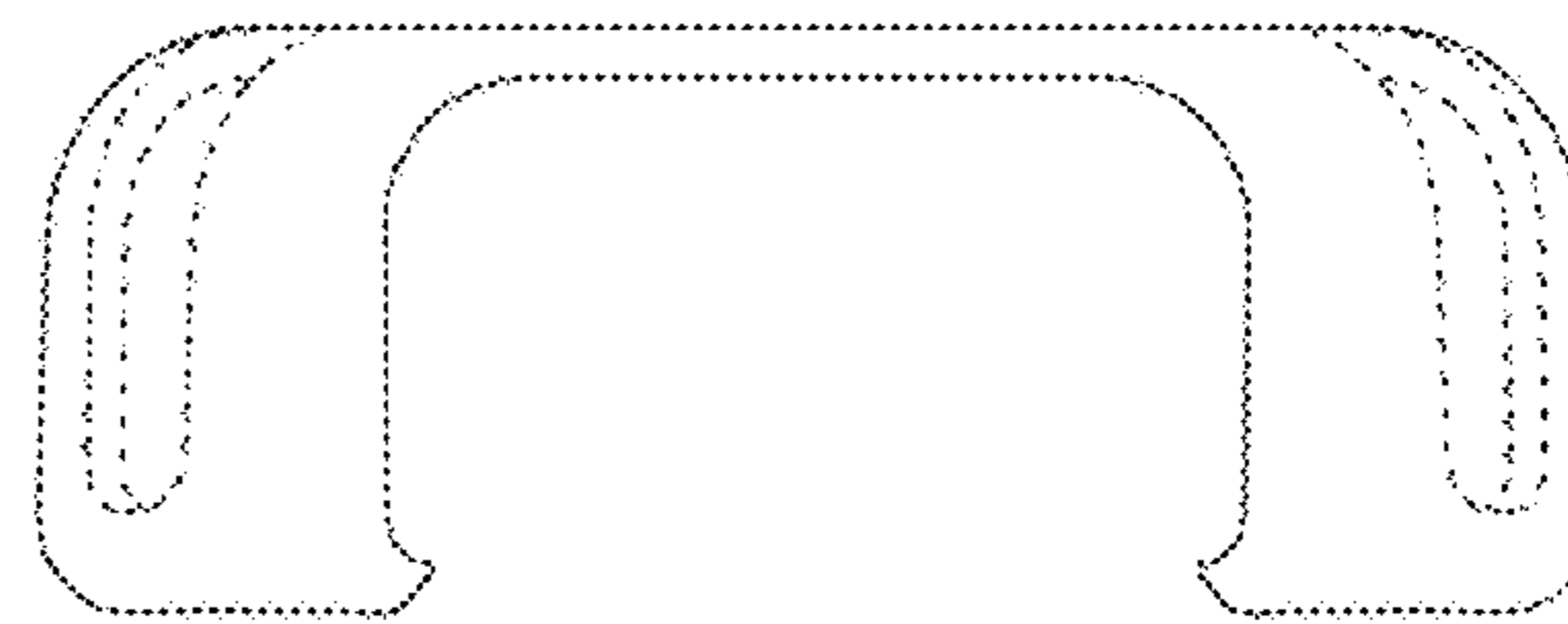
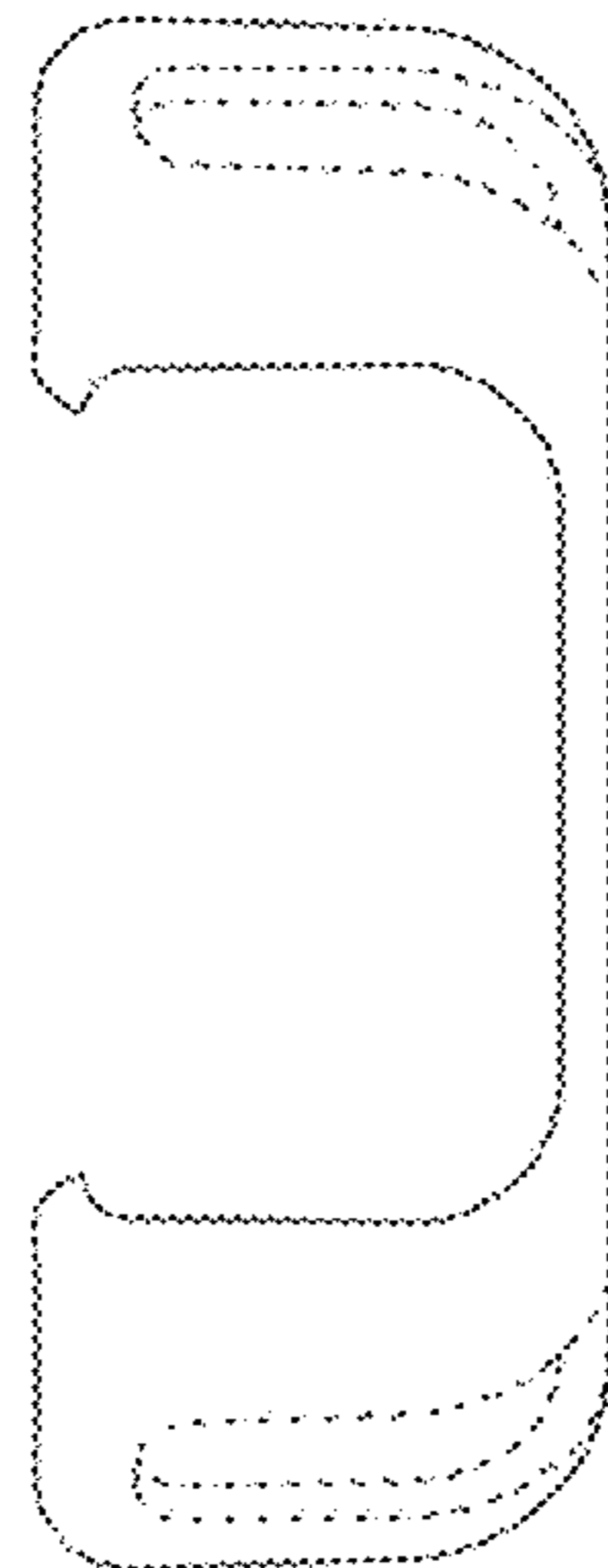
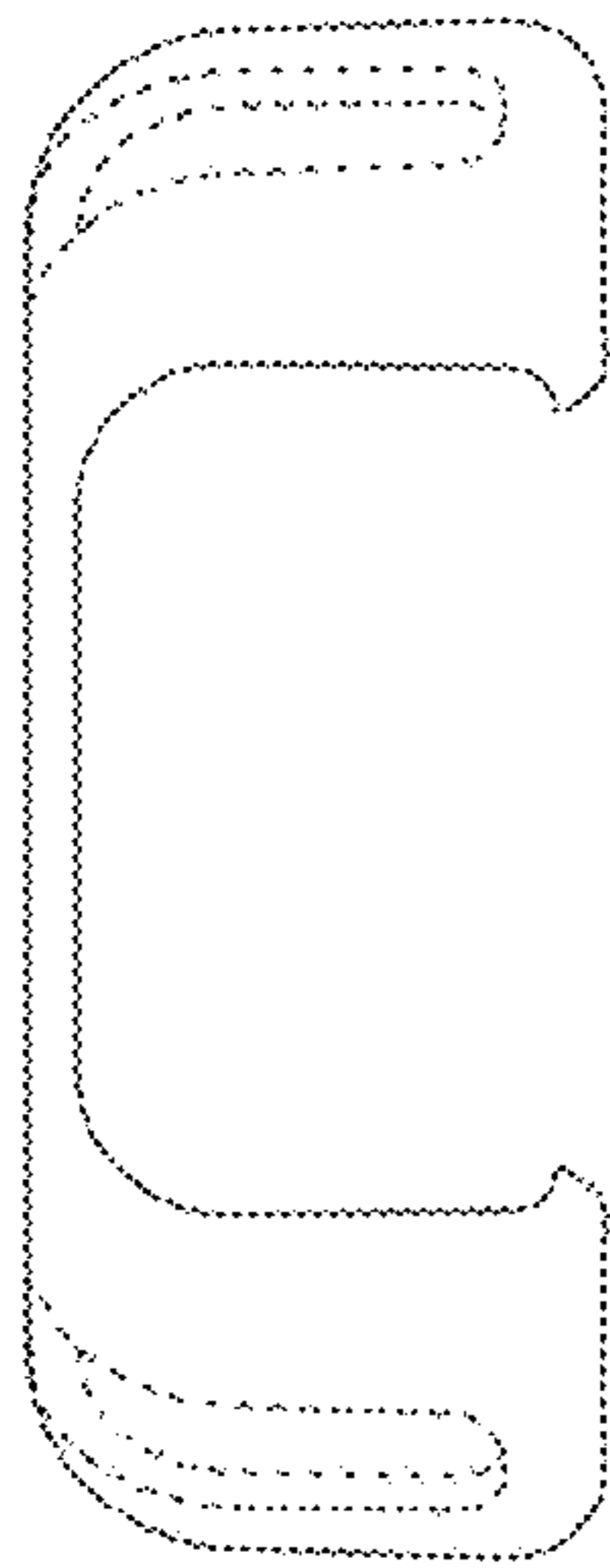
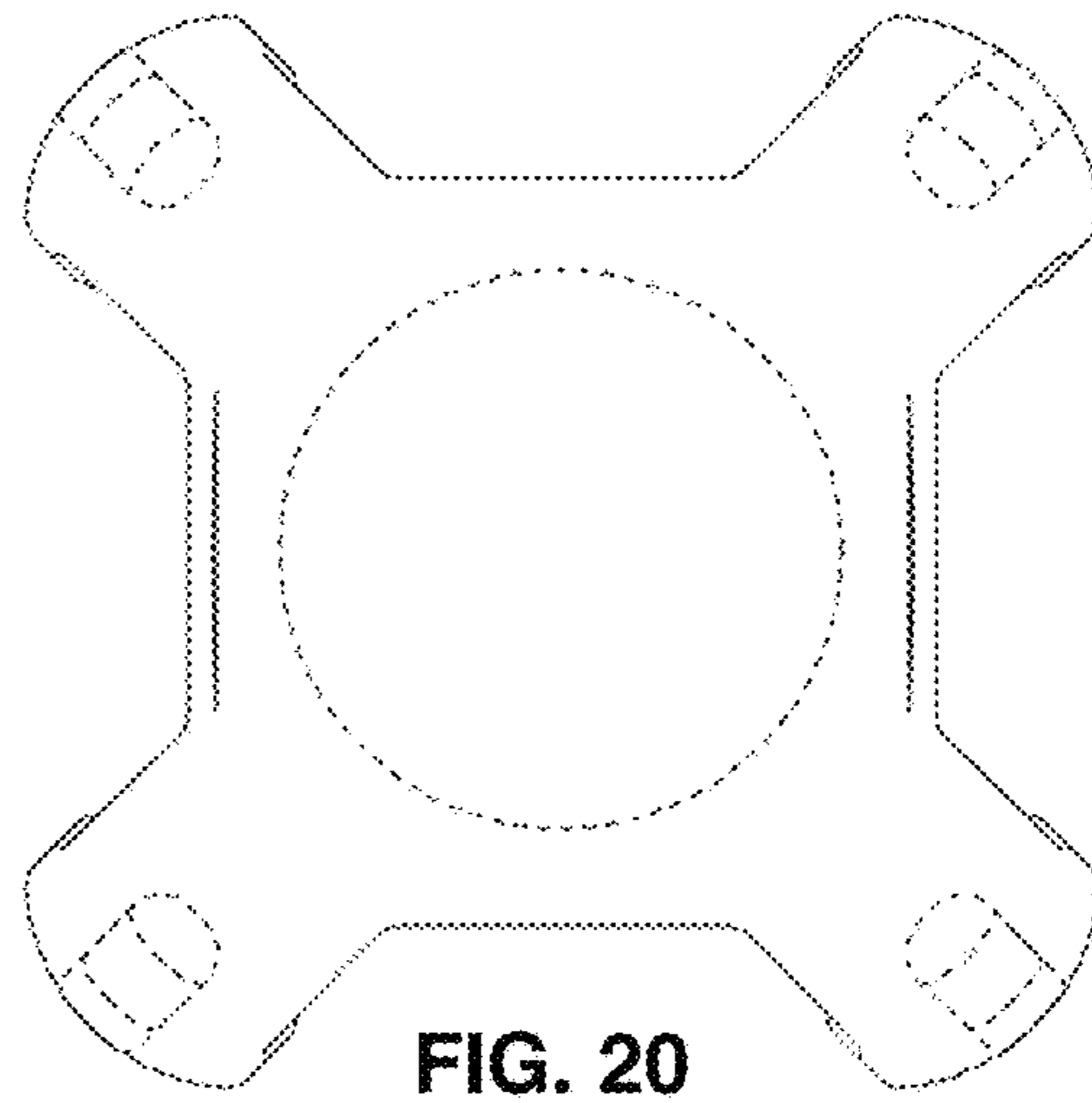
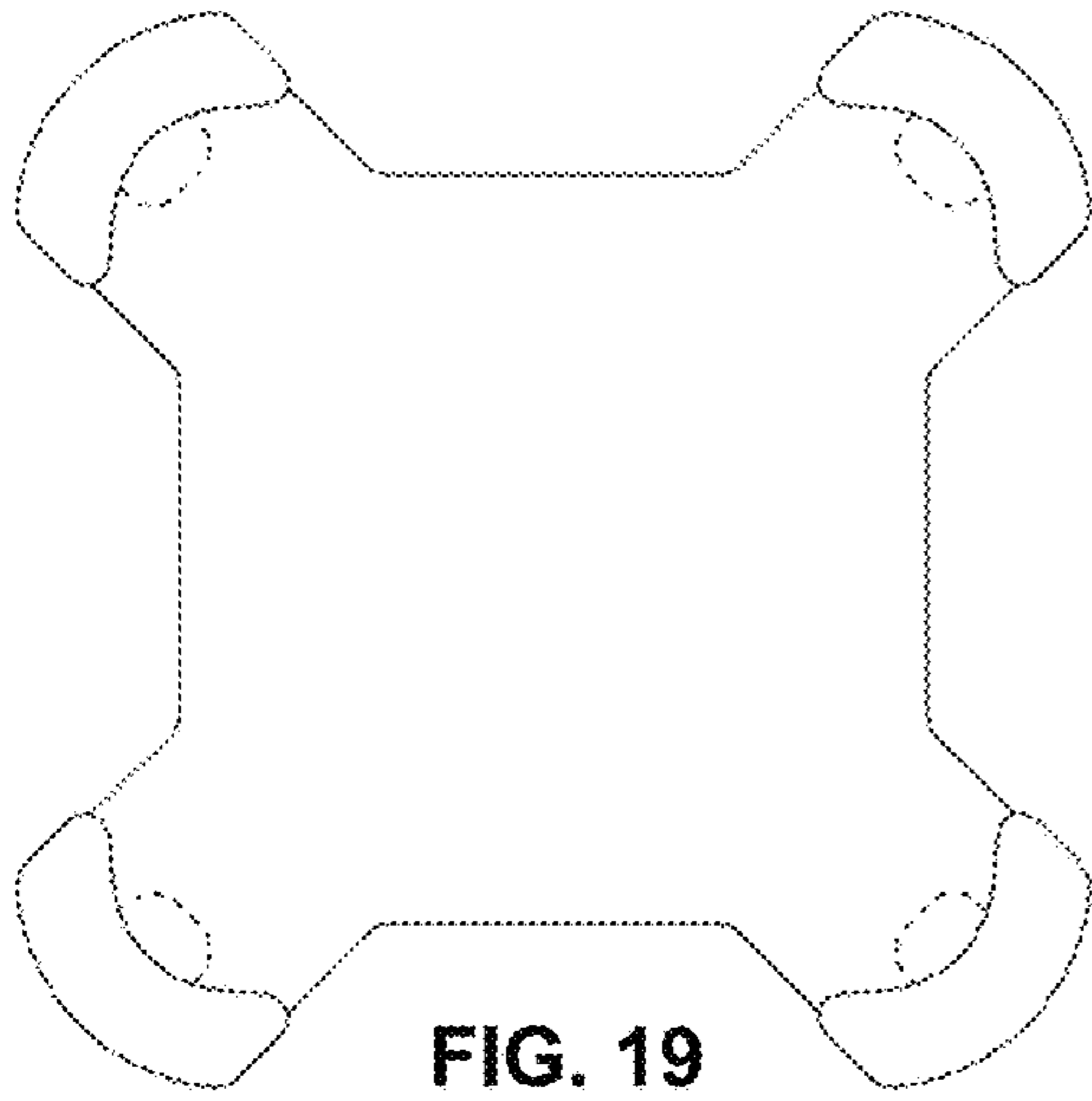


FIG. 21

FIG. 22

FIG. 24

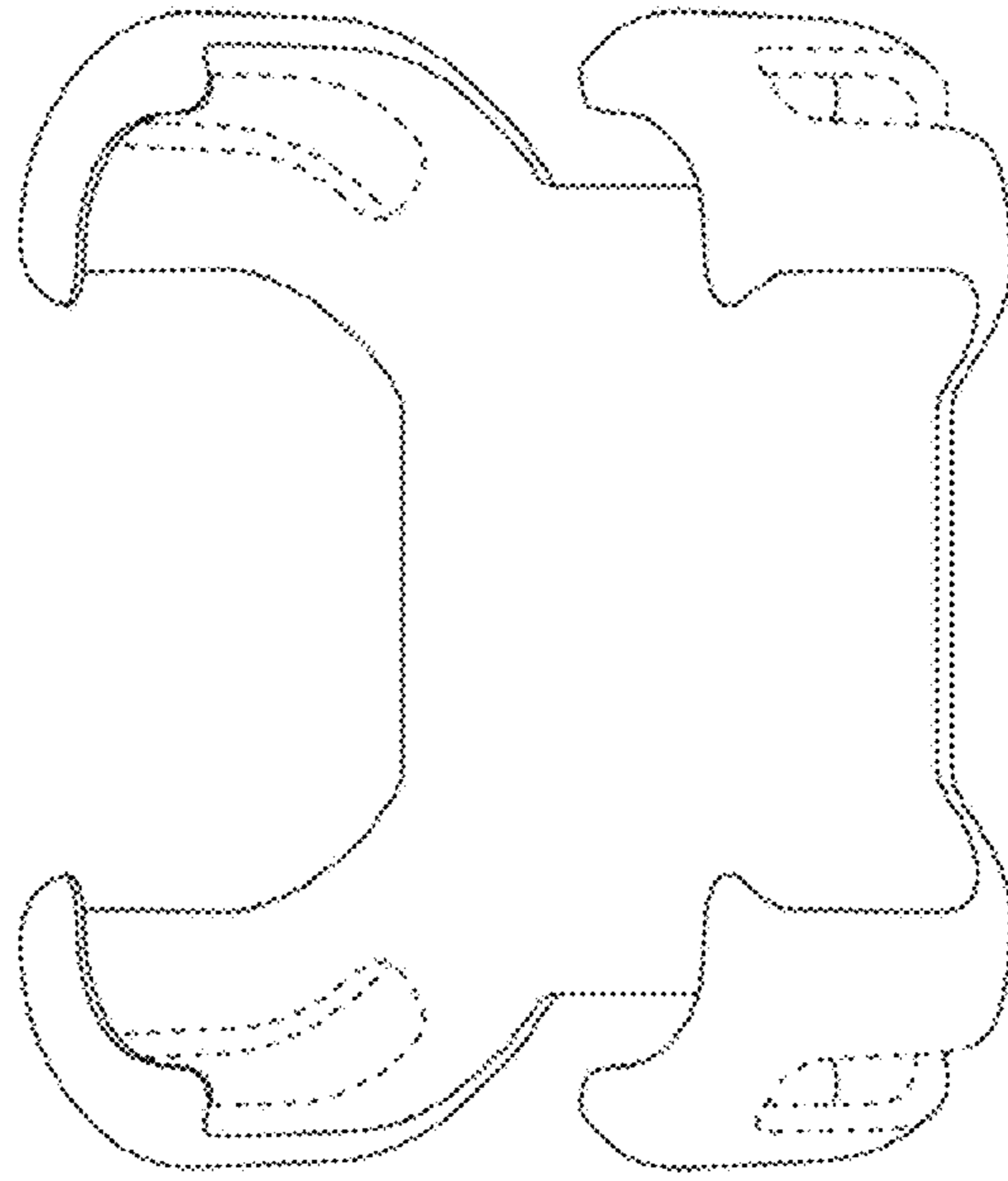


FIG. 25

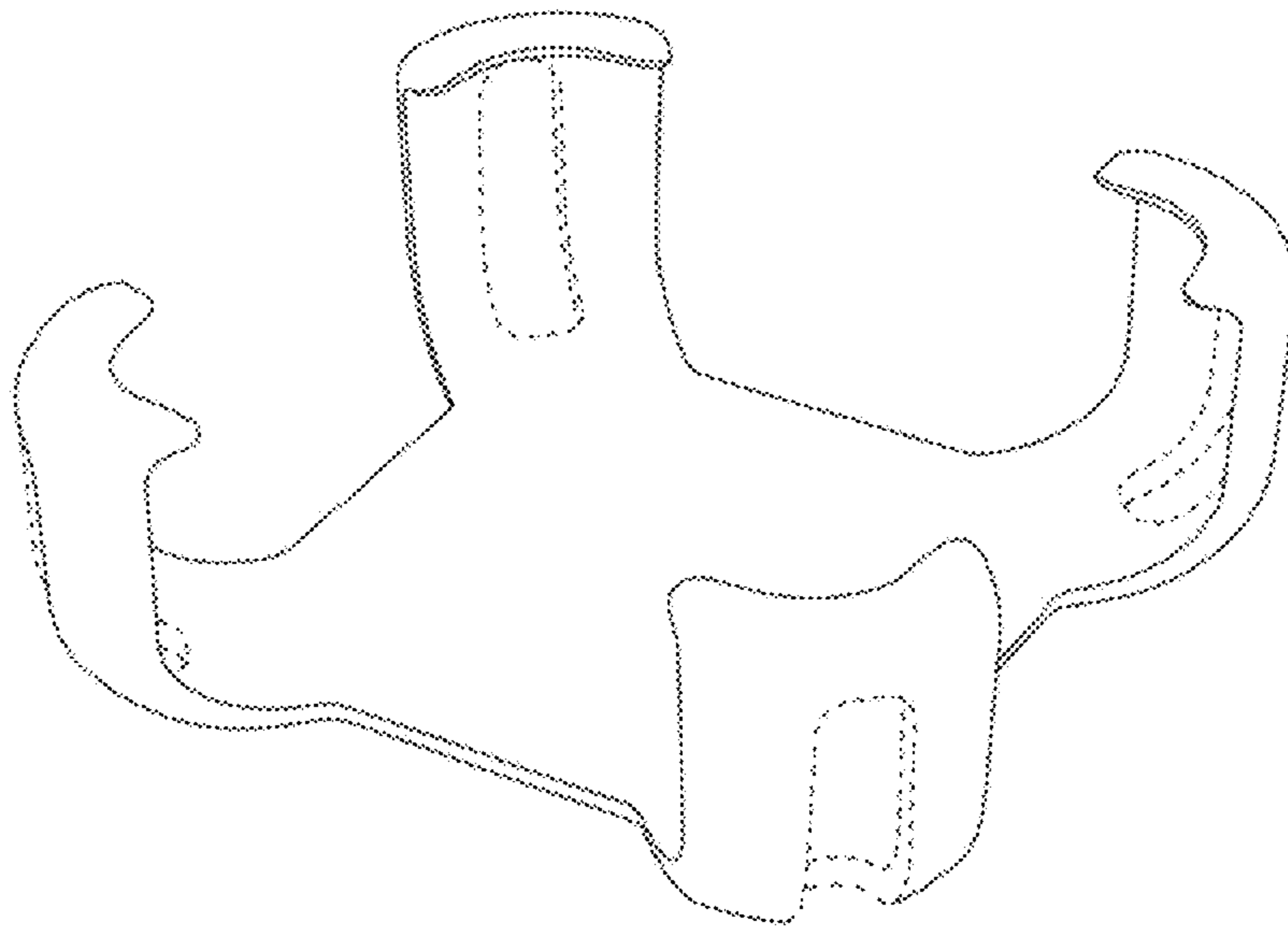
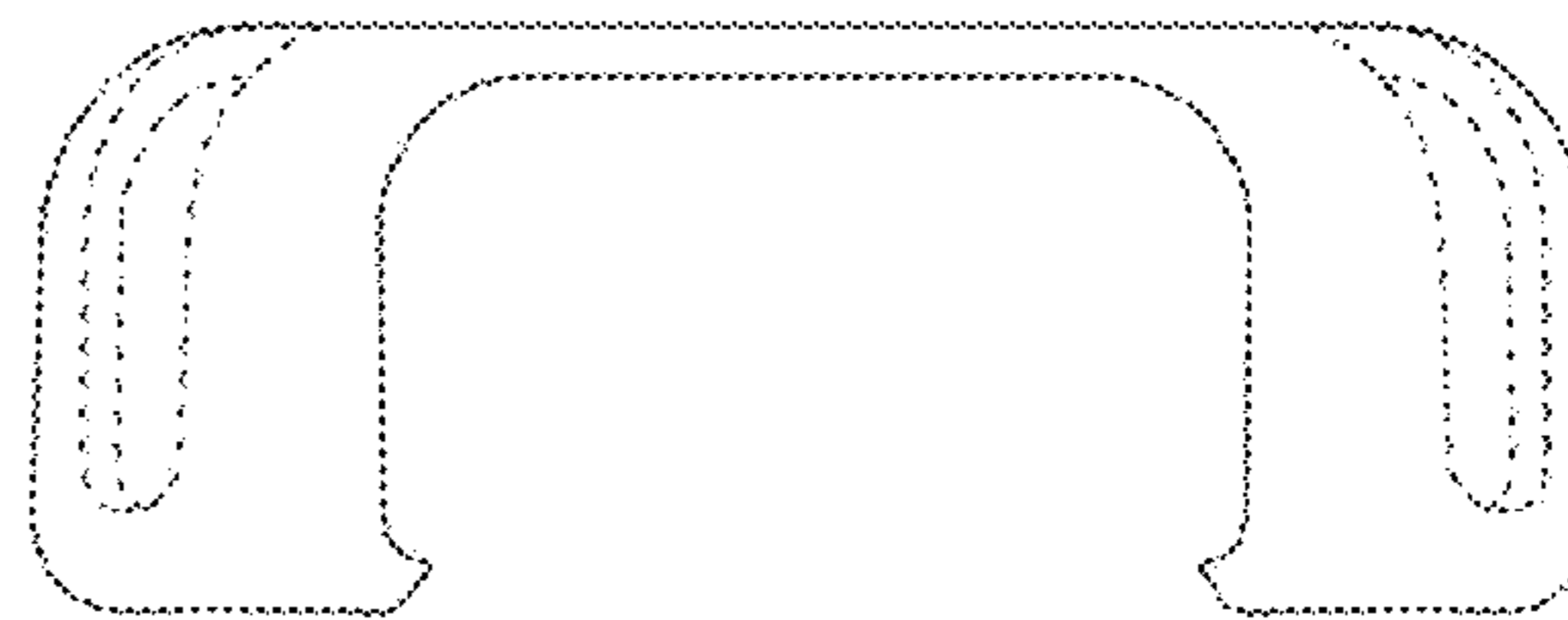
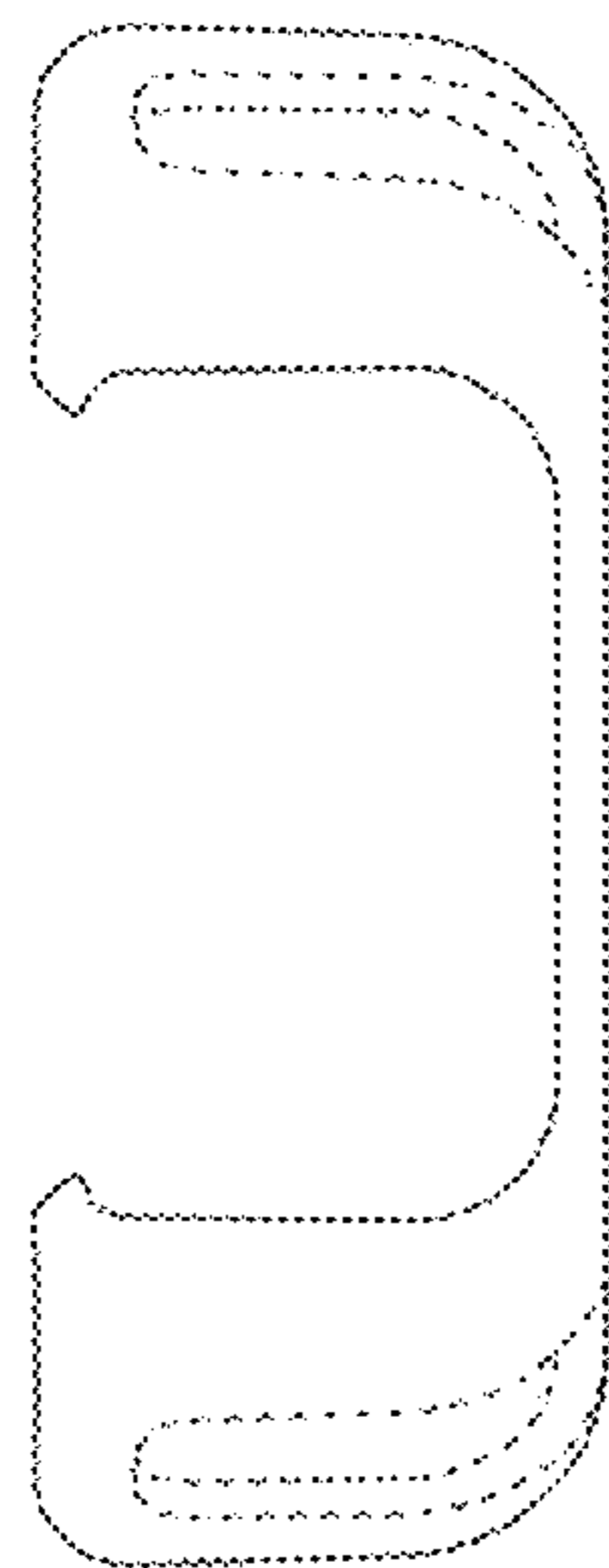
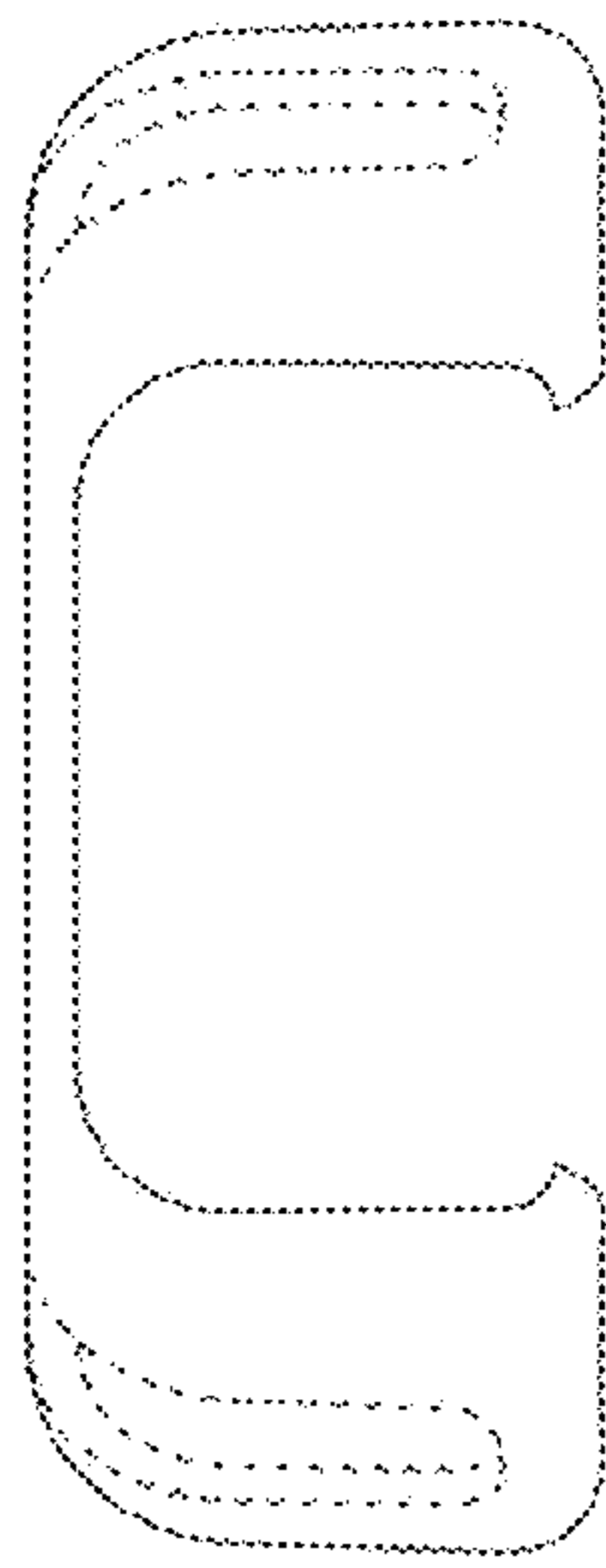
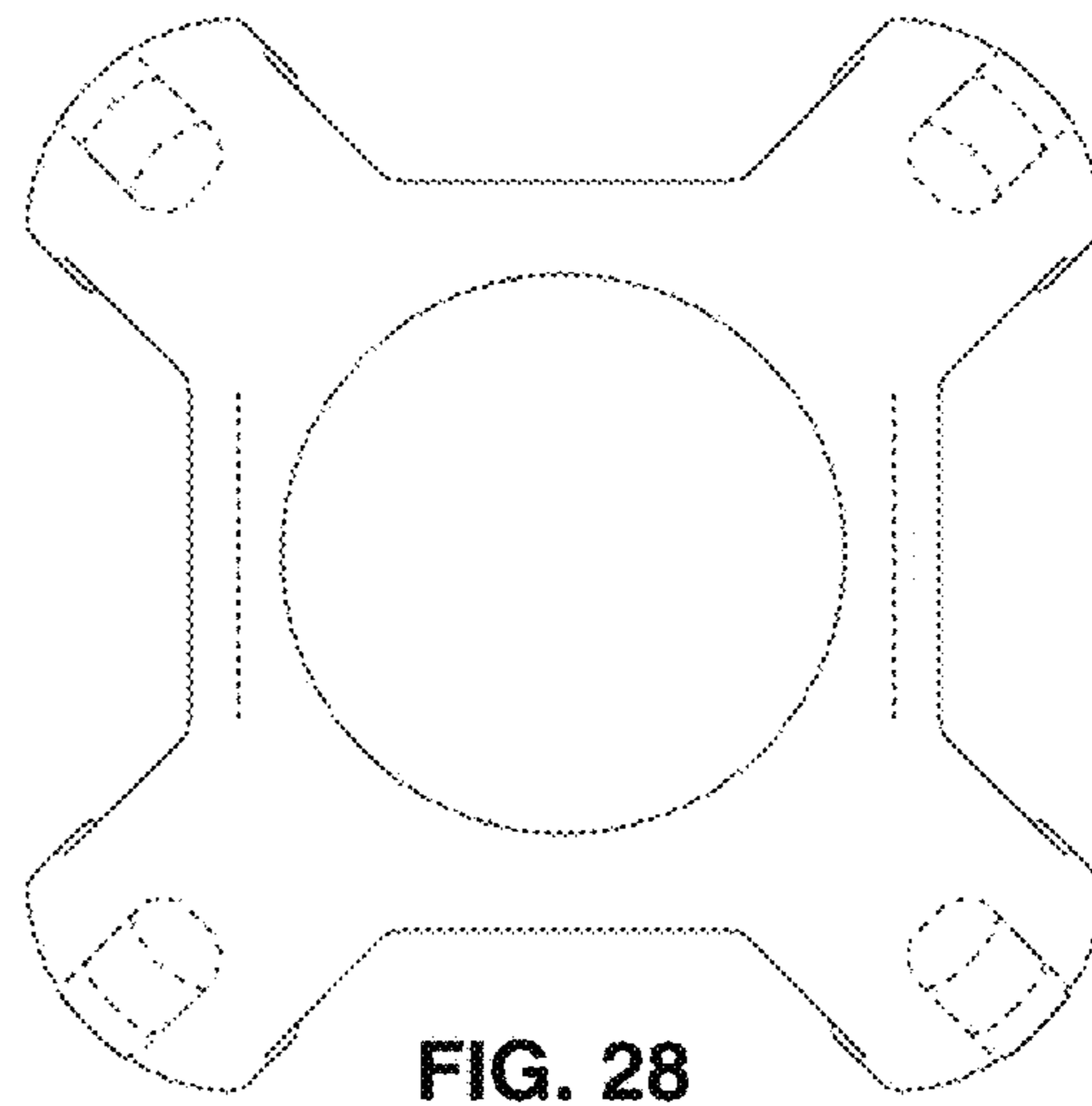
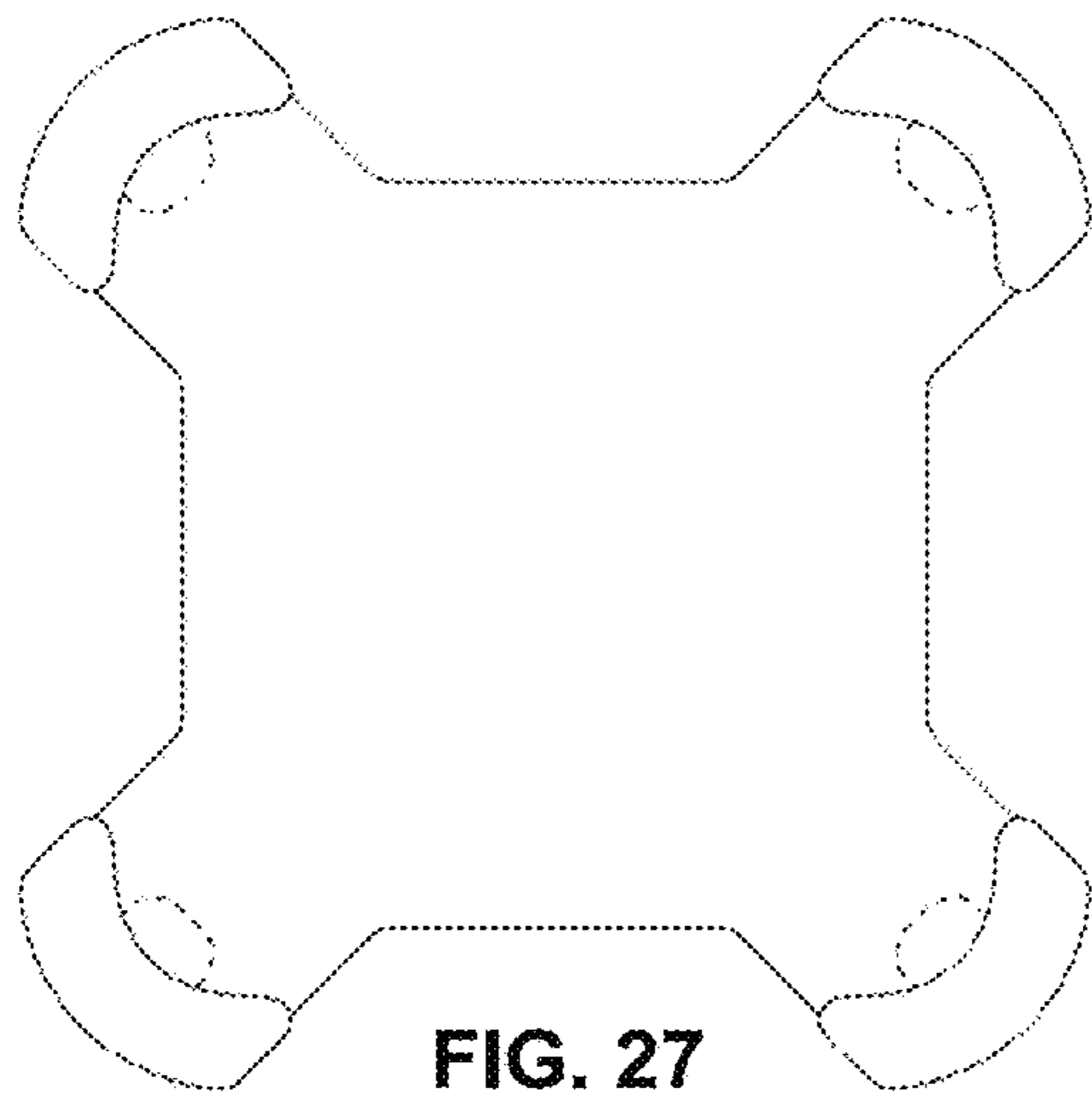


FIG. 26



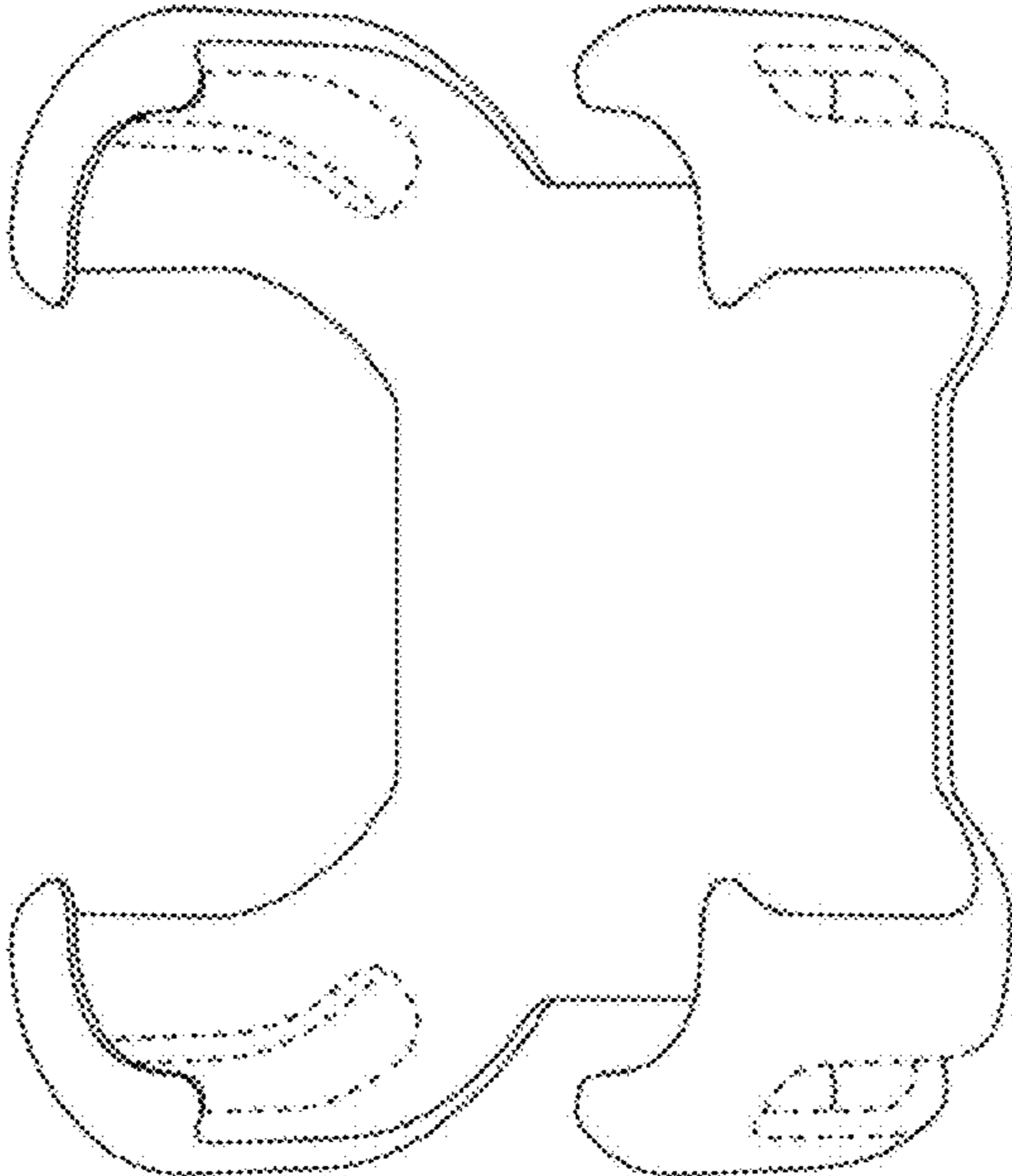


FIG. 33

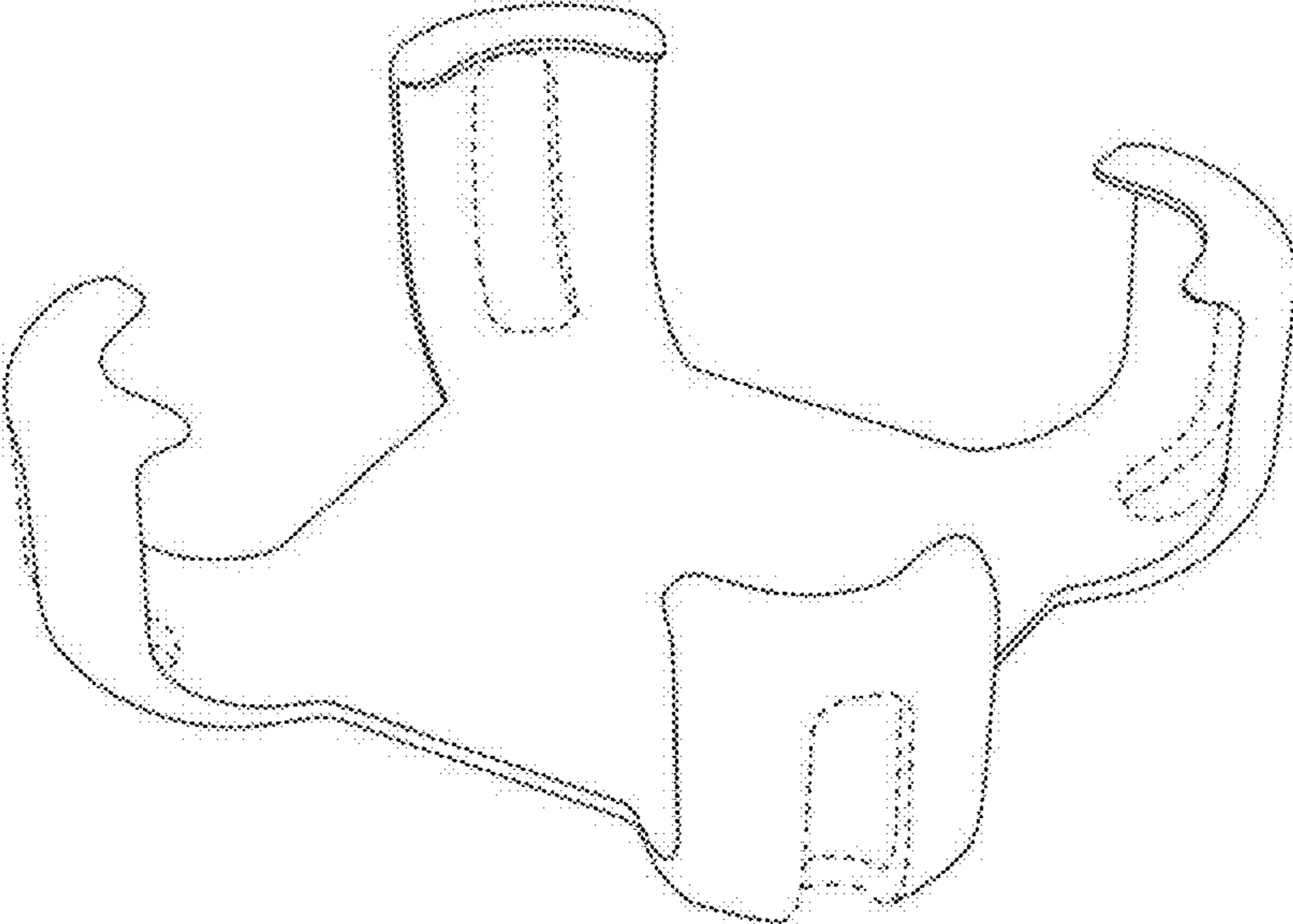
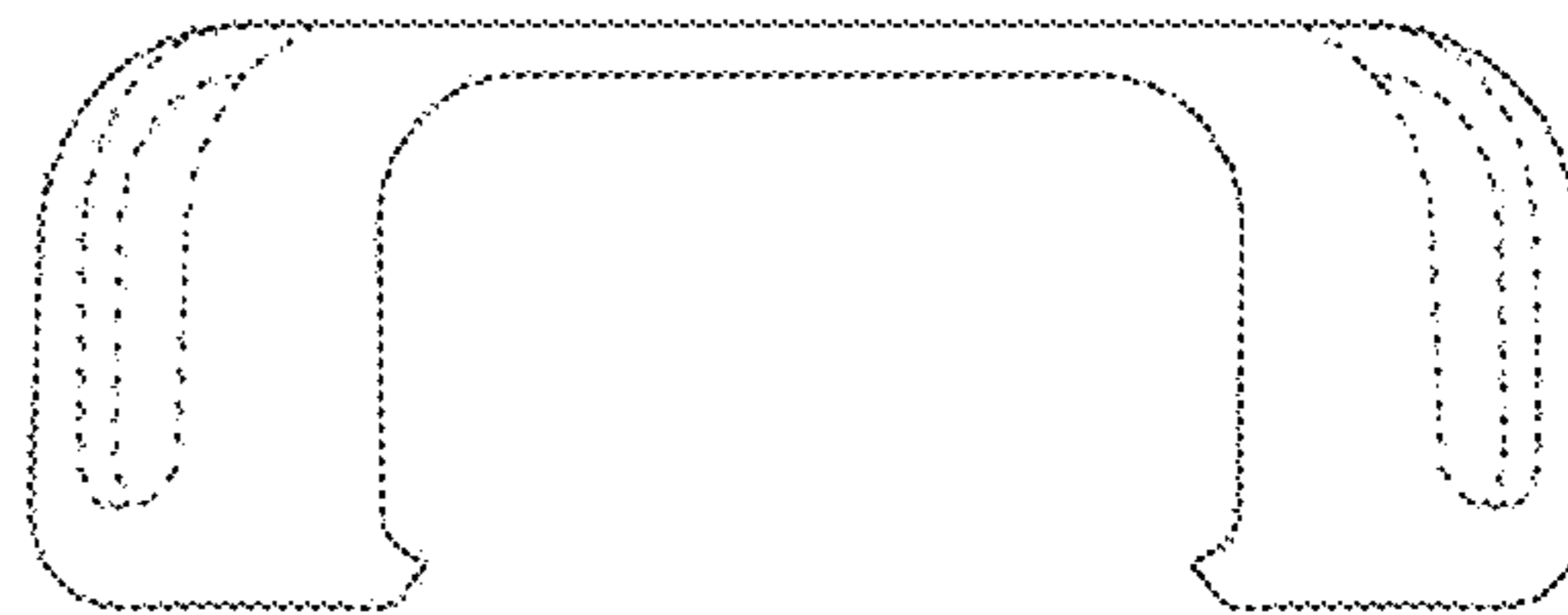
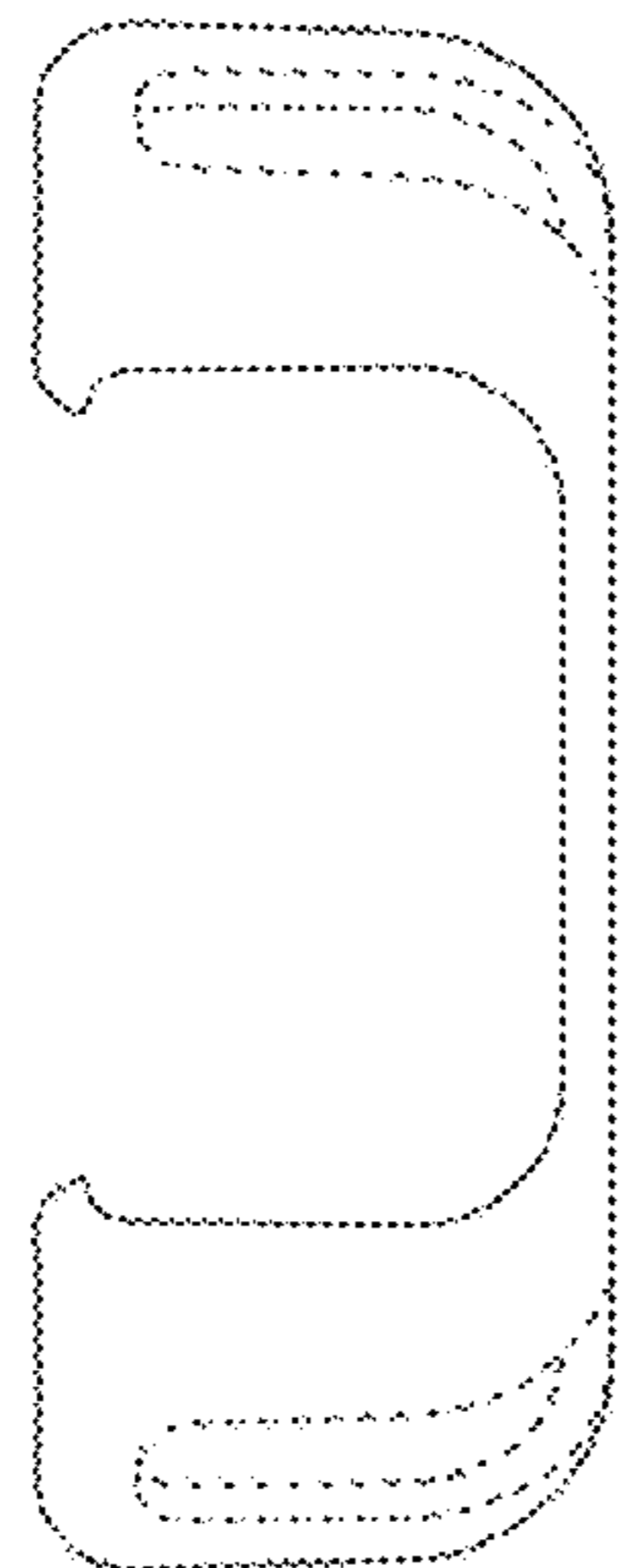
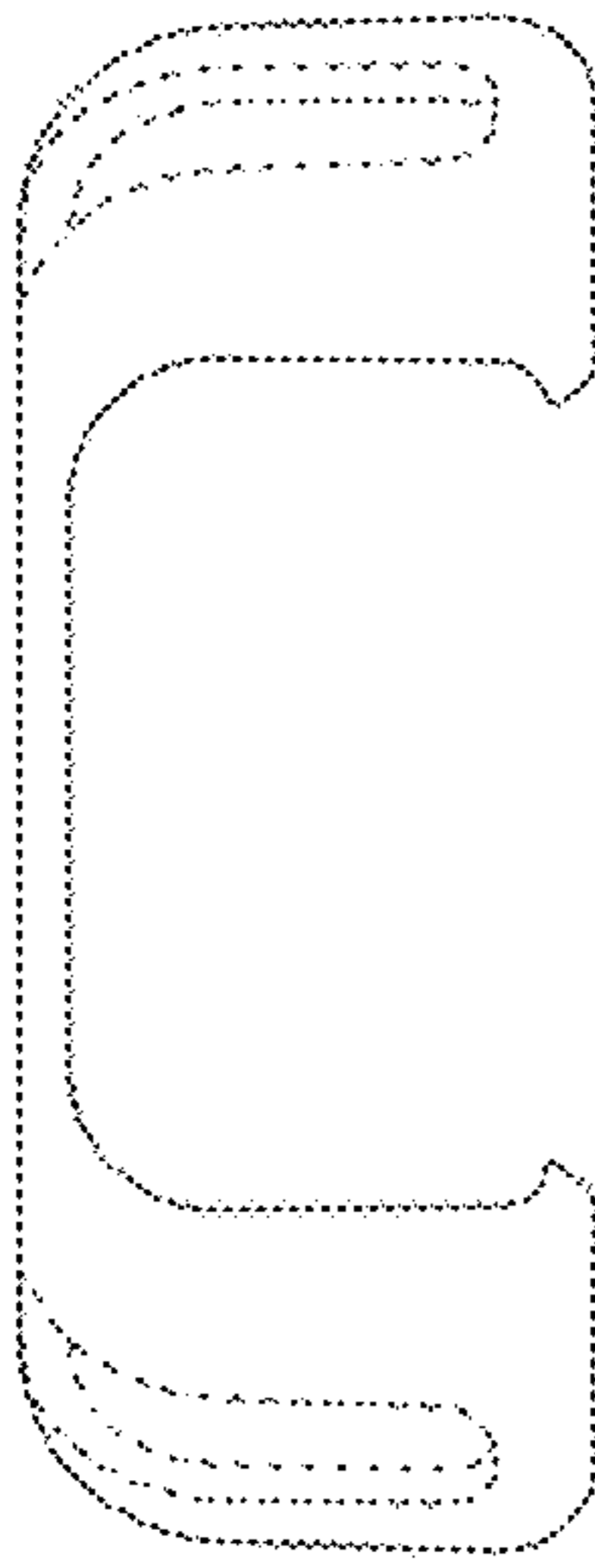
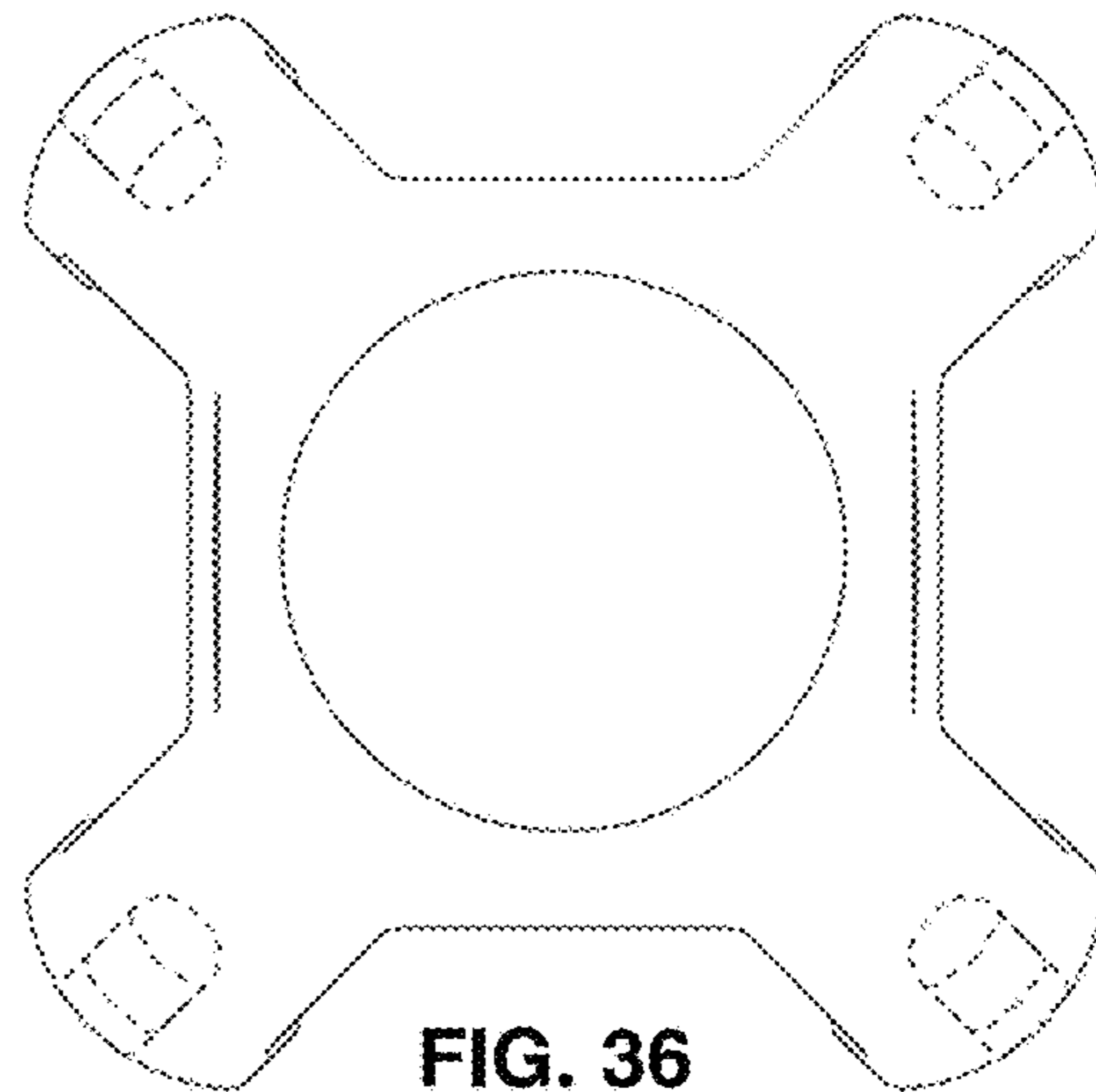
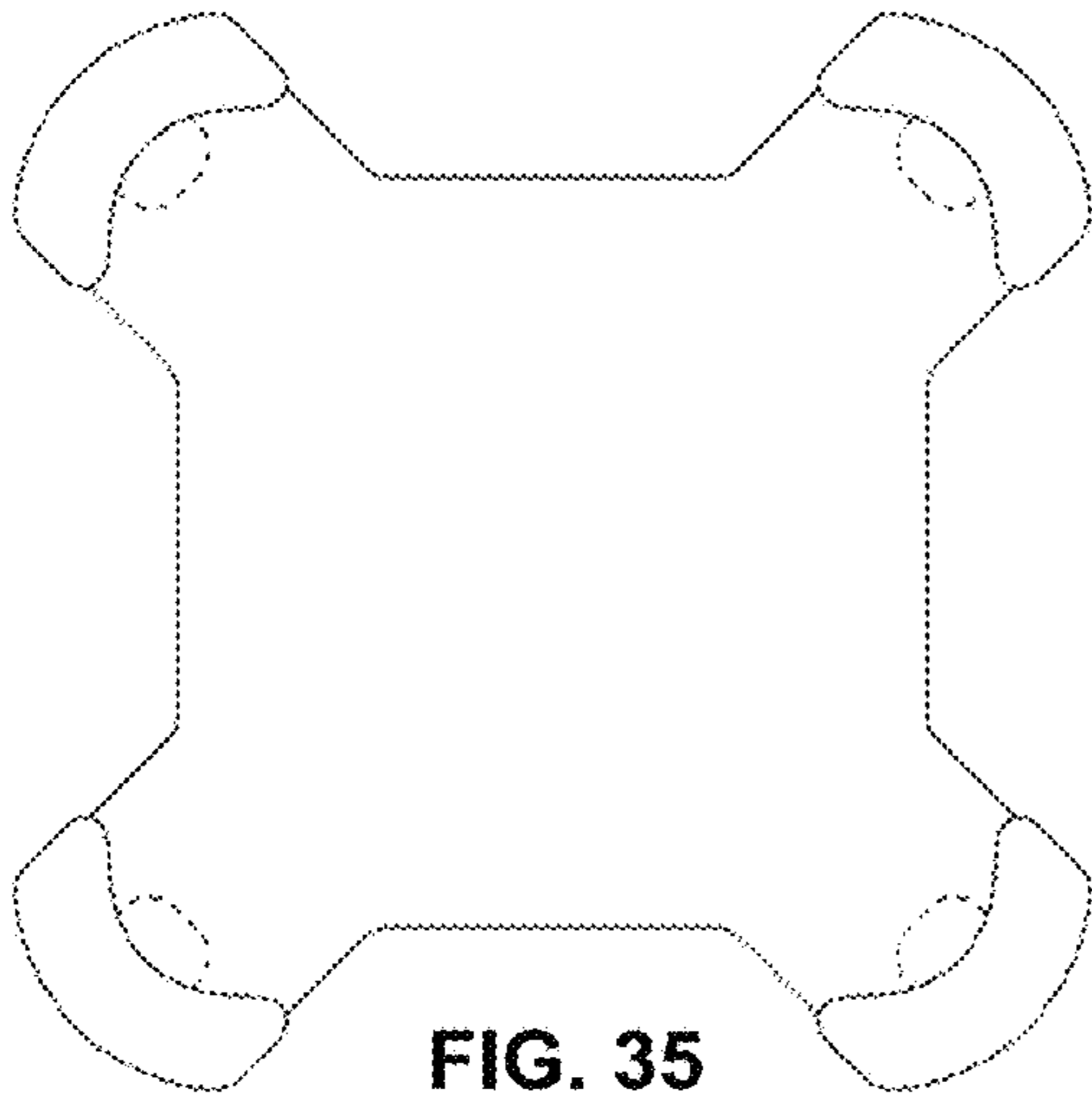


FIG. 34



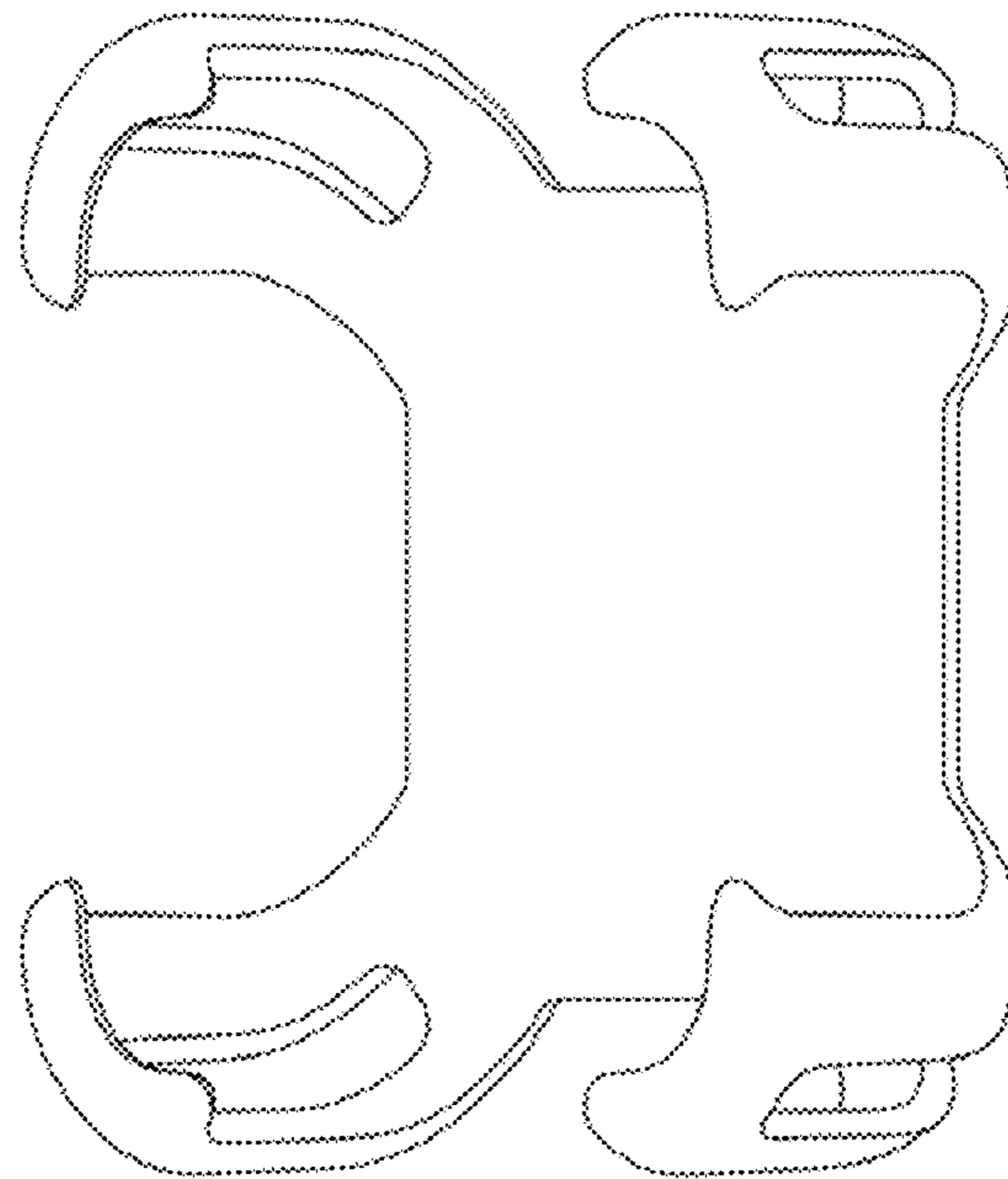


FIG. 41

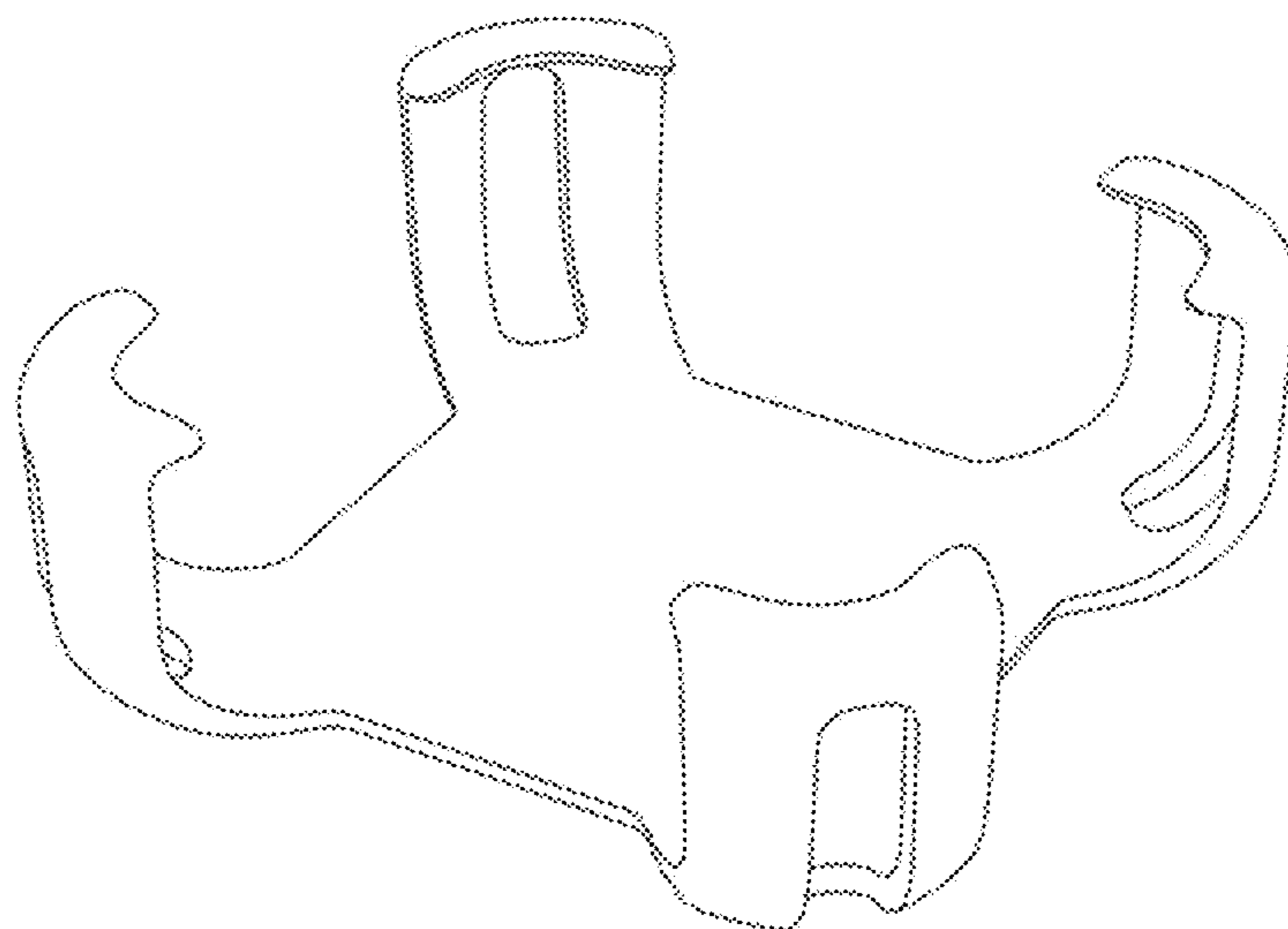


FIG. 42

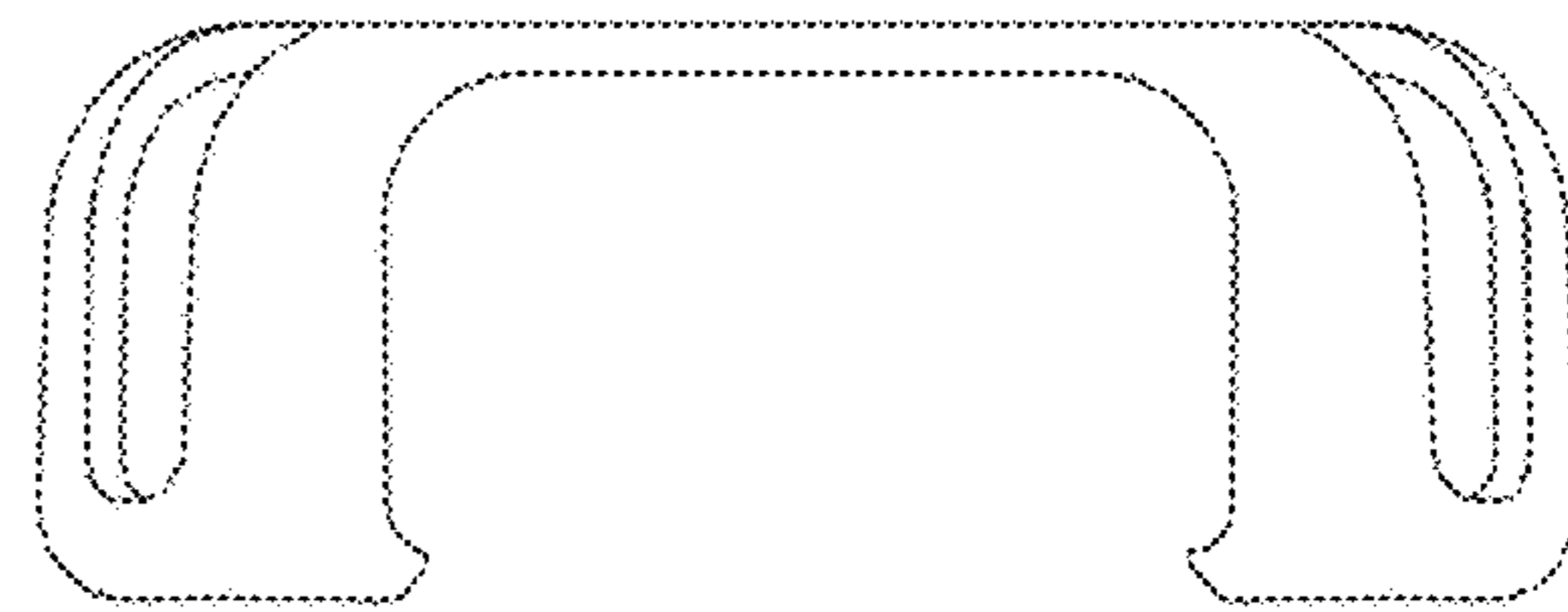
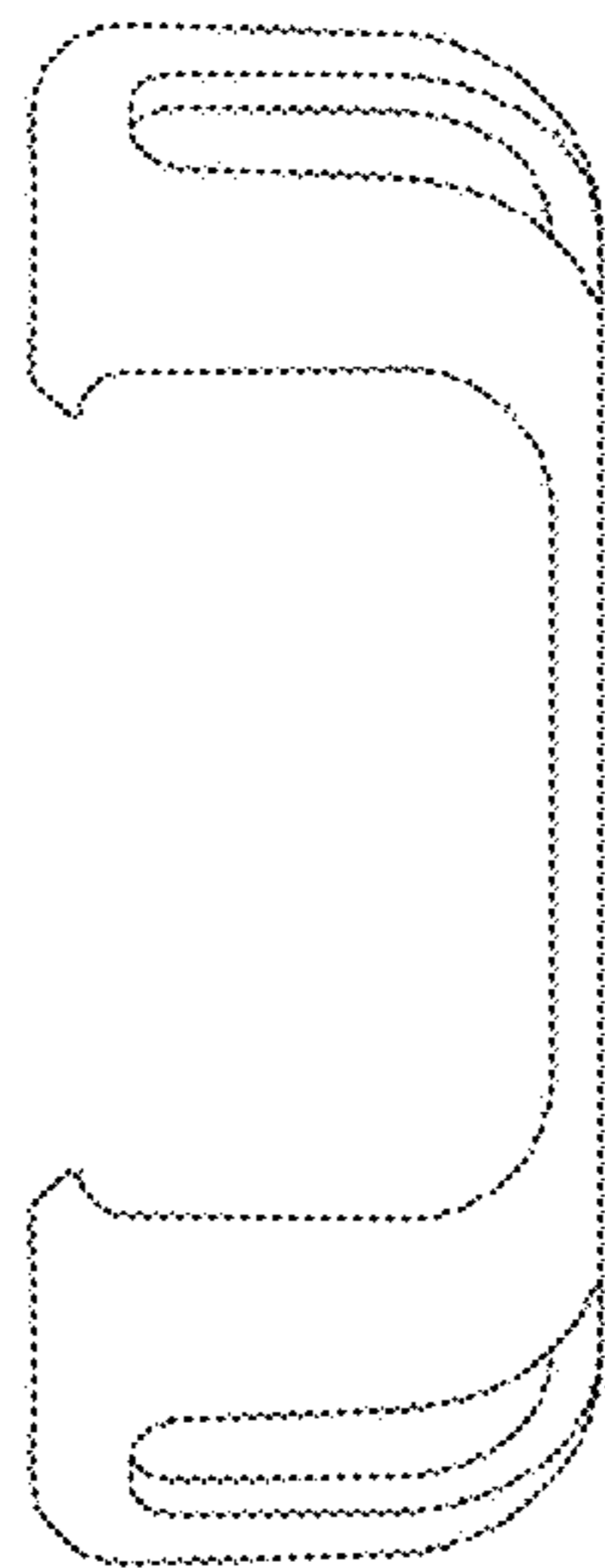
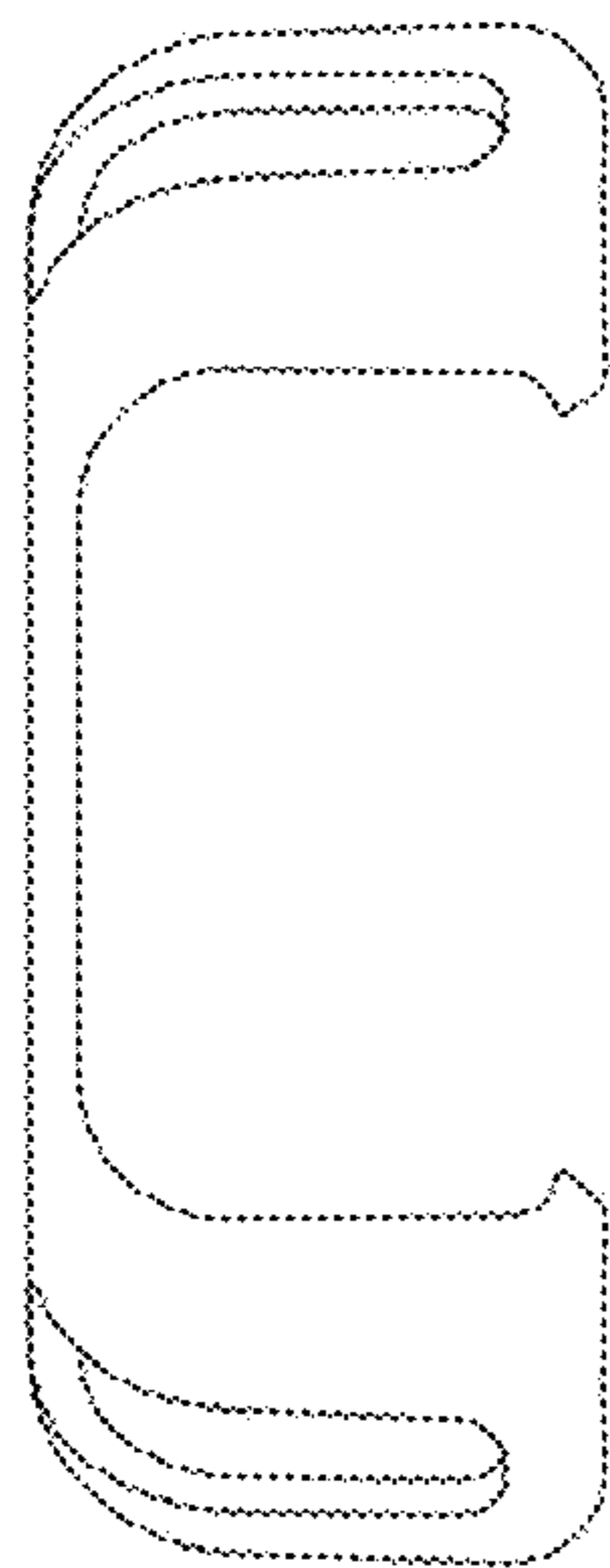
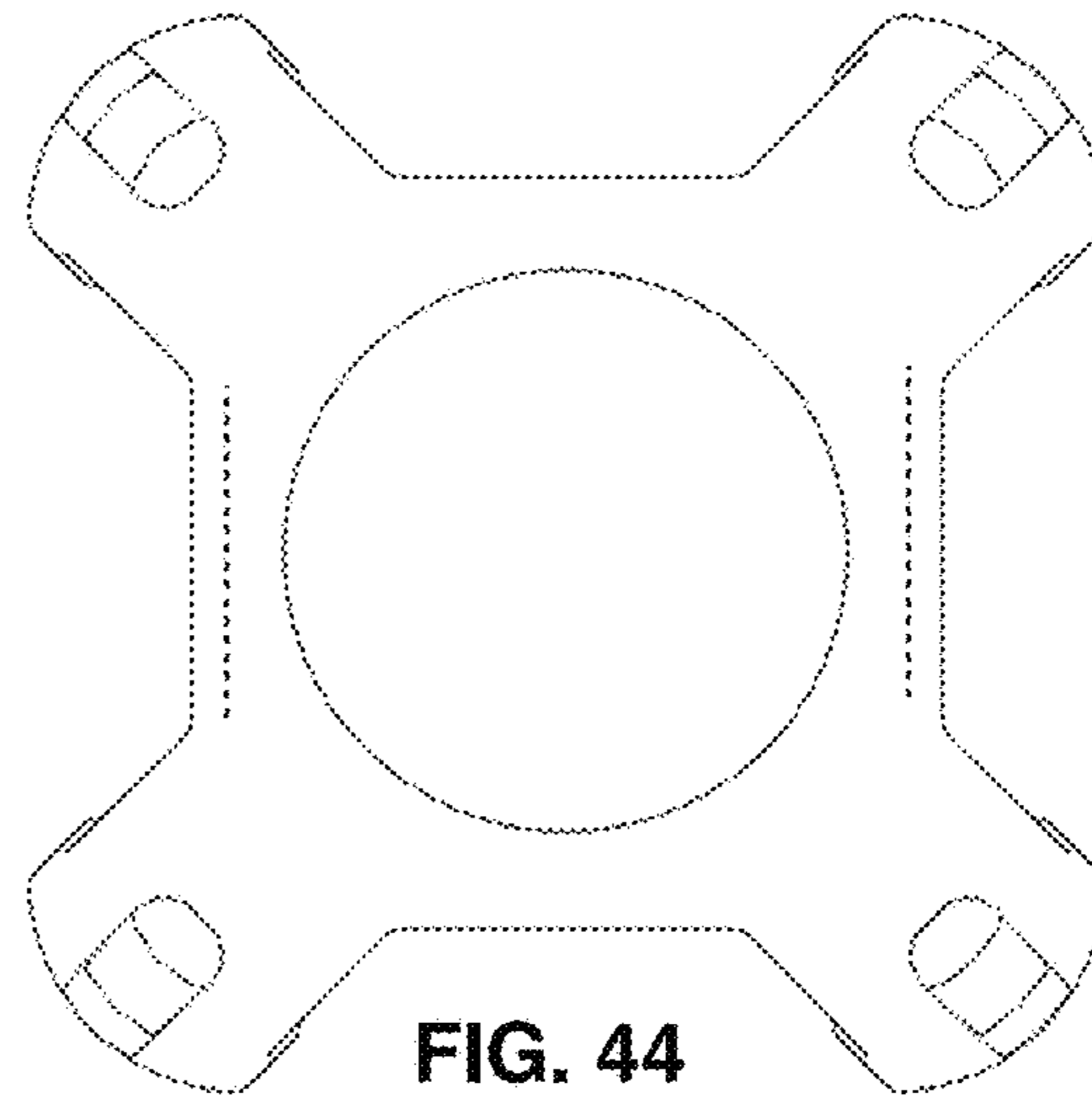
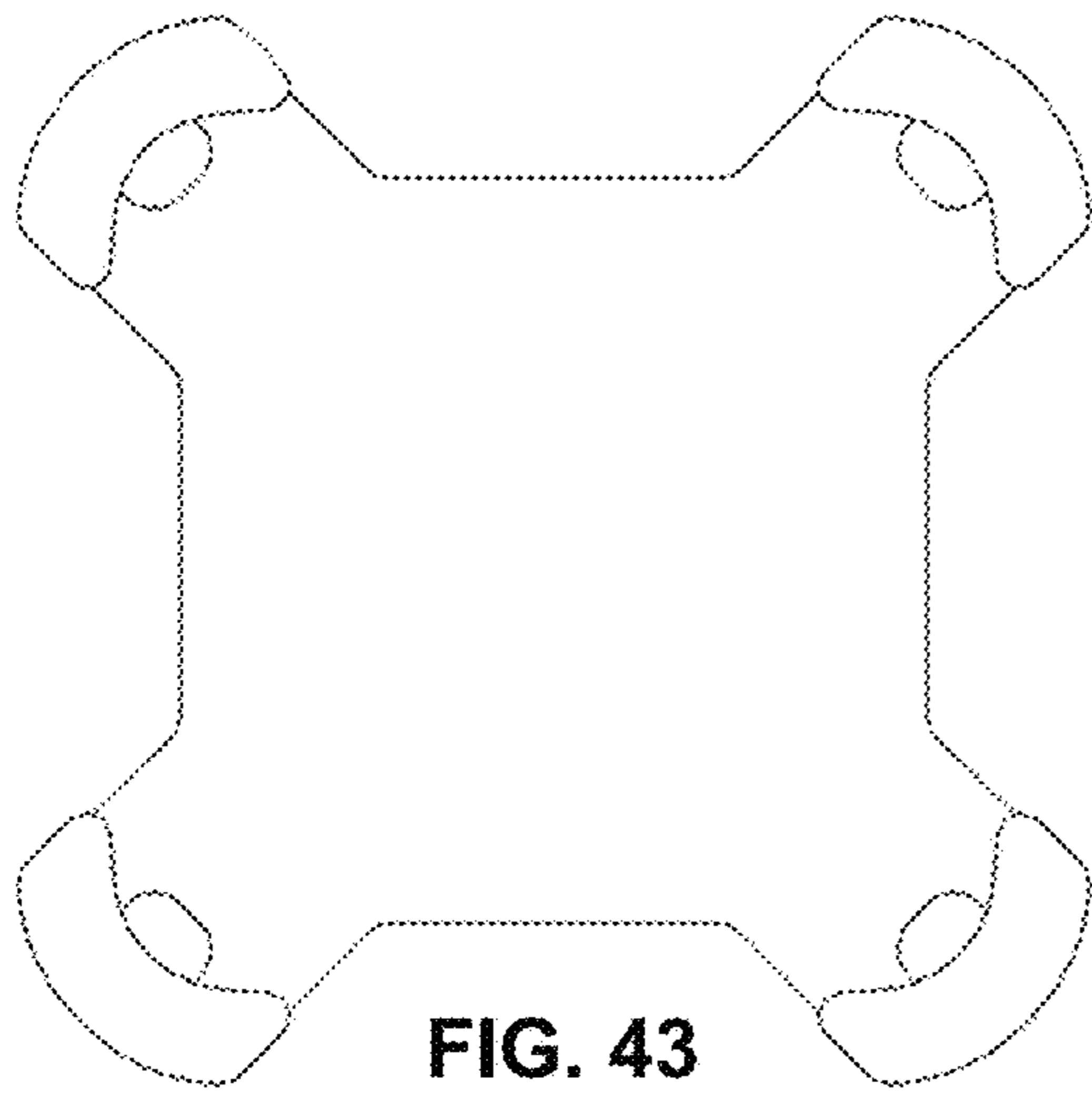


FIG. 45

FIG. 46

FIG. 48

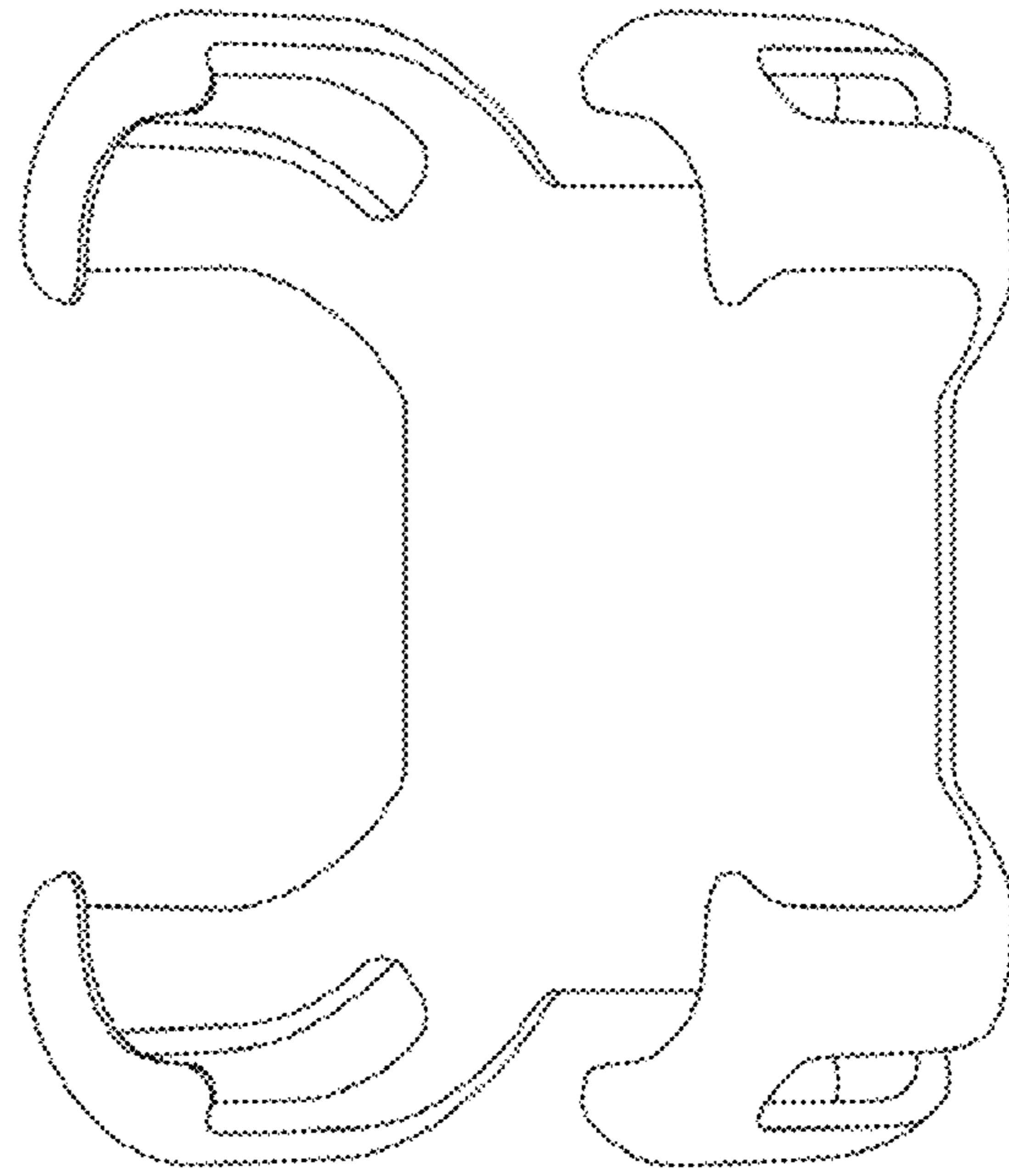


FIG. 49

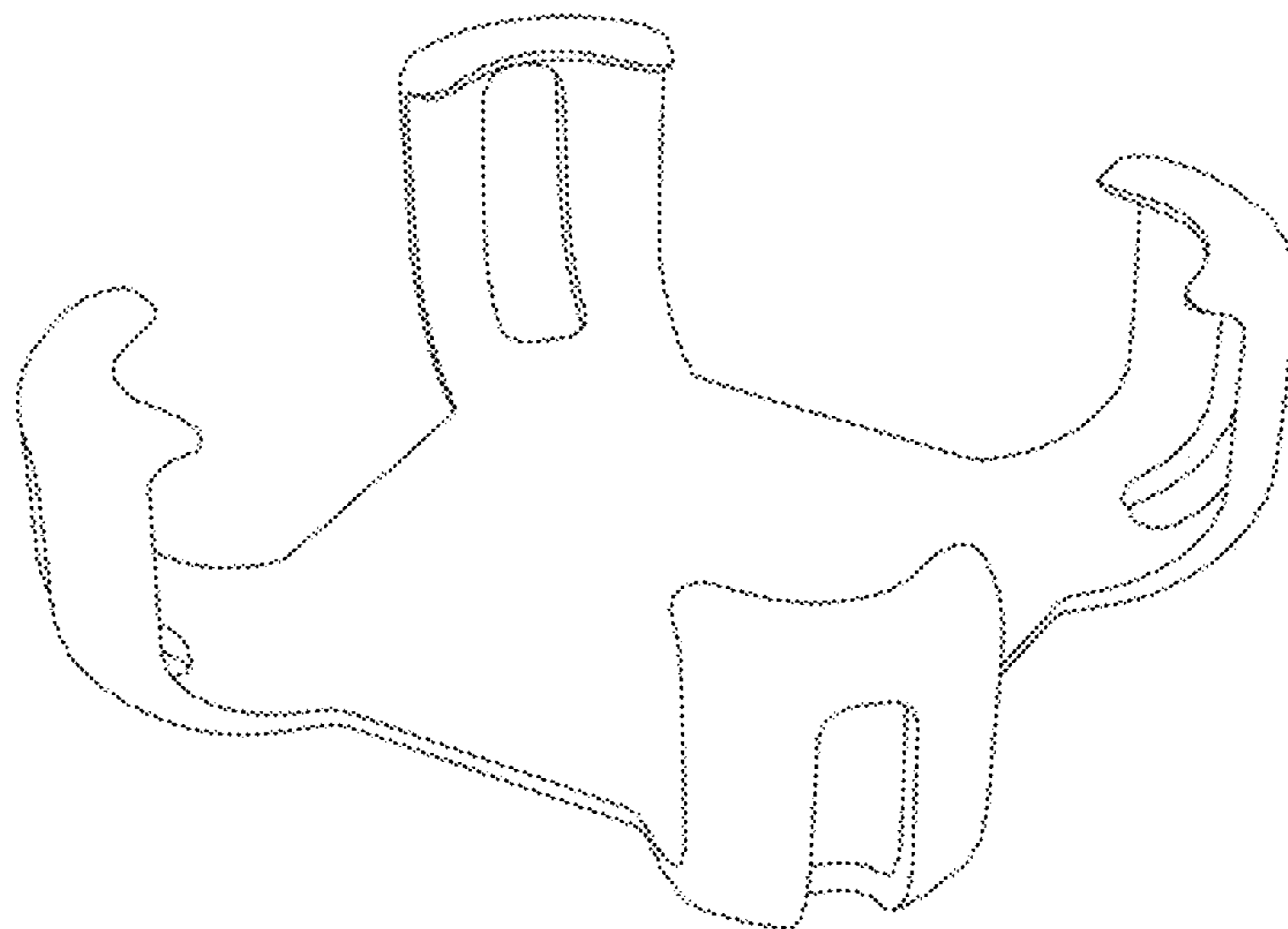
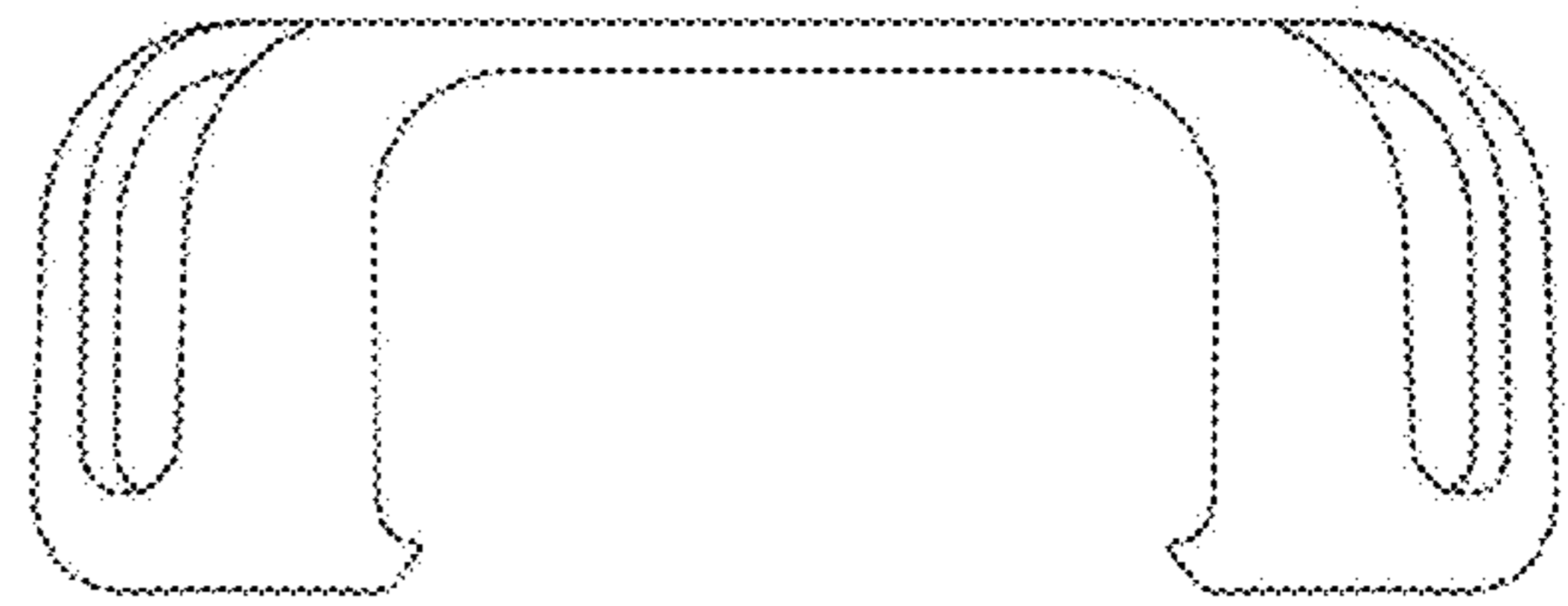
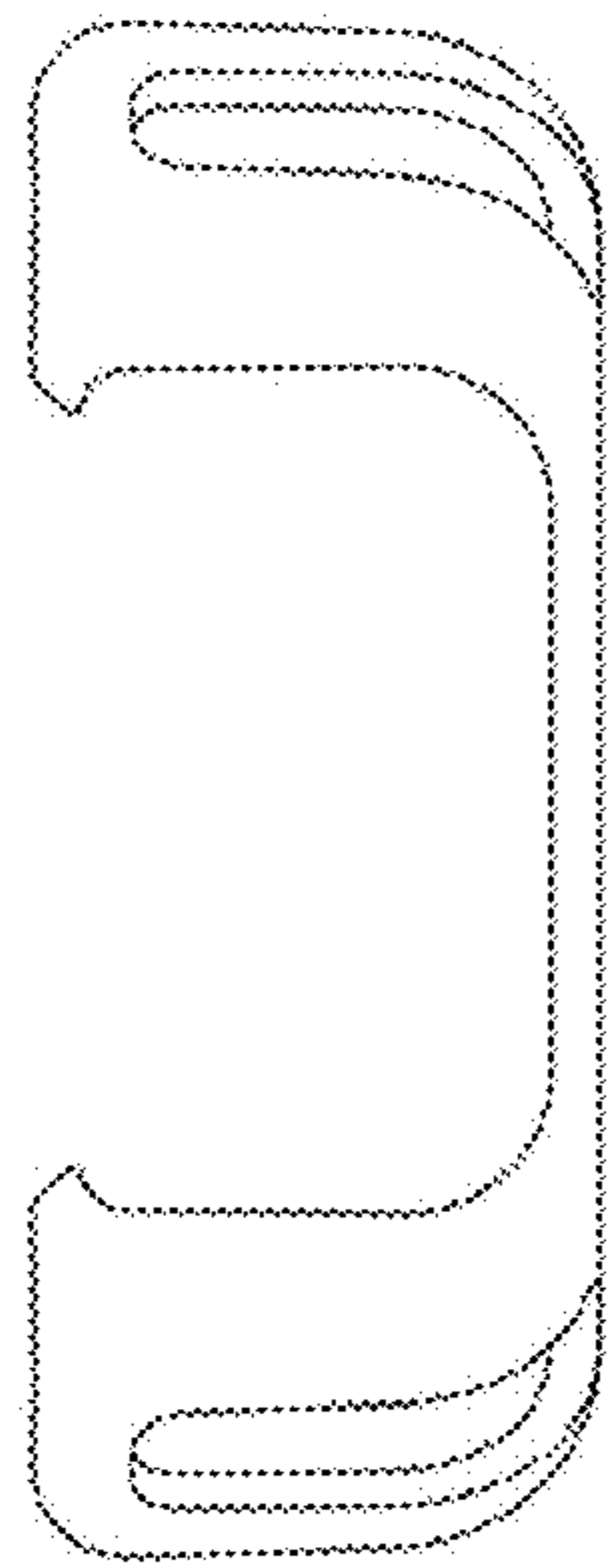
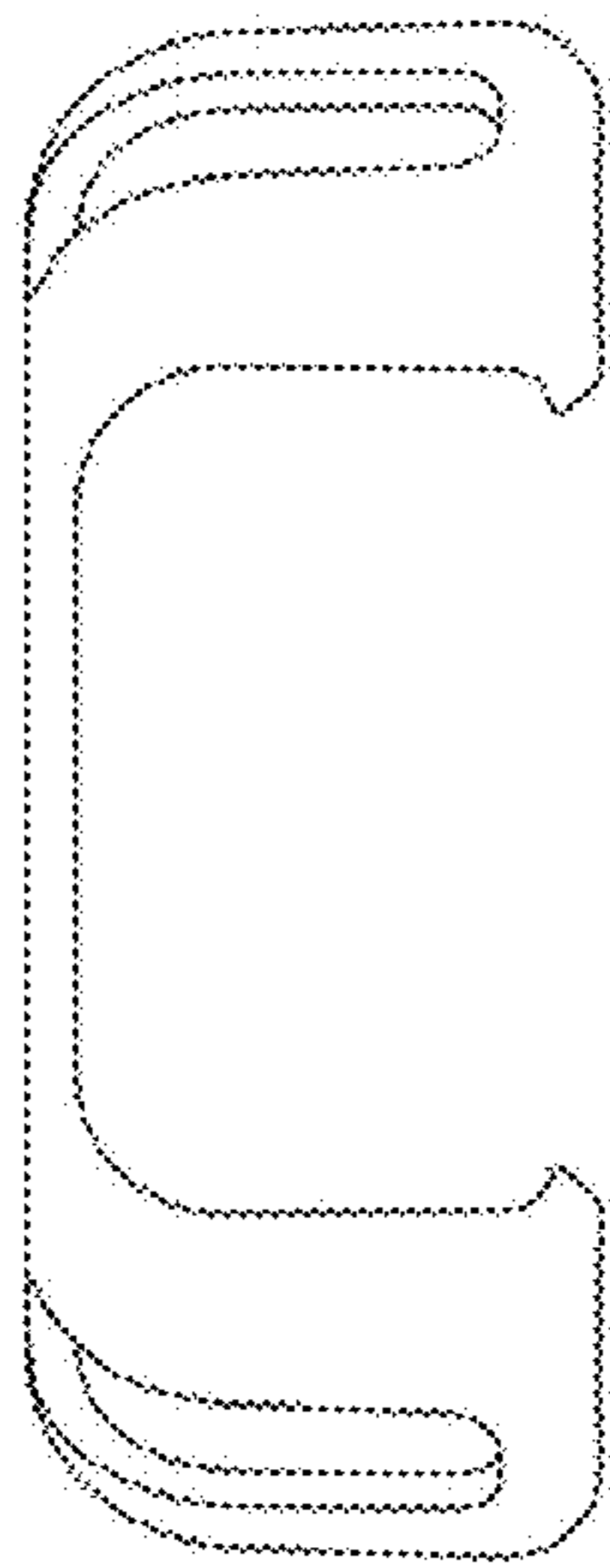
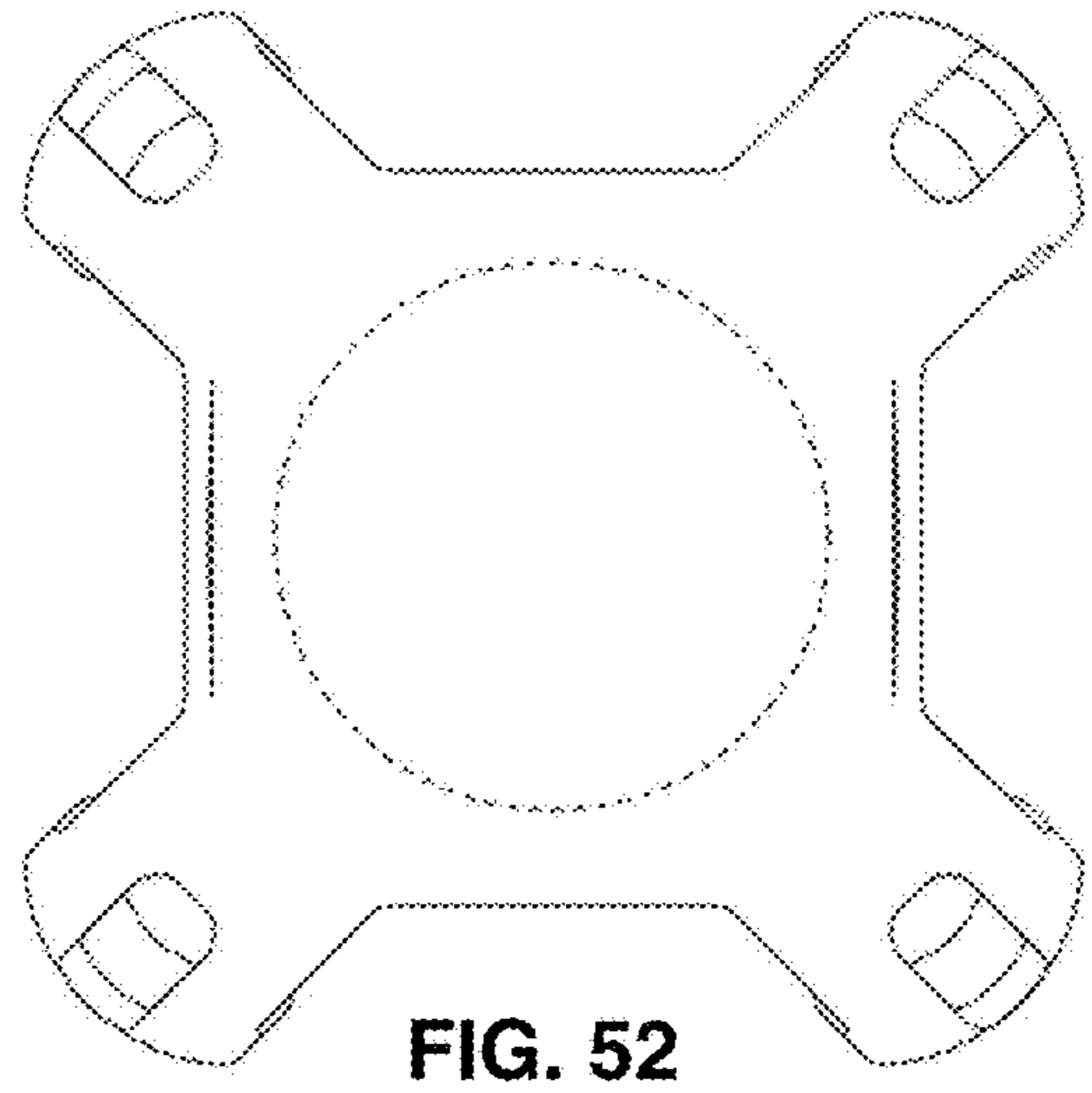
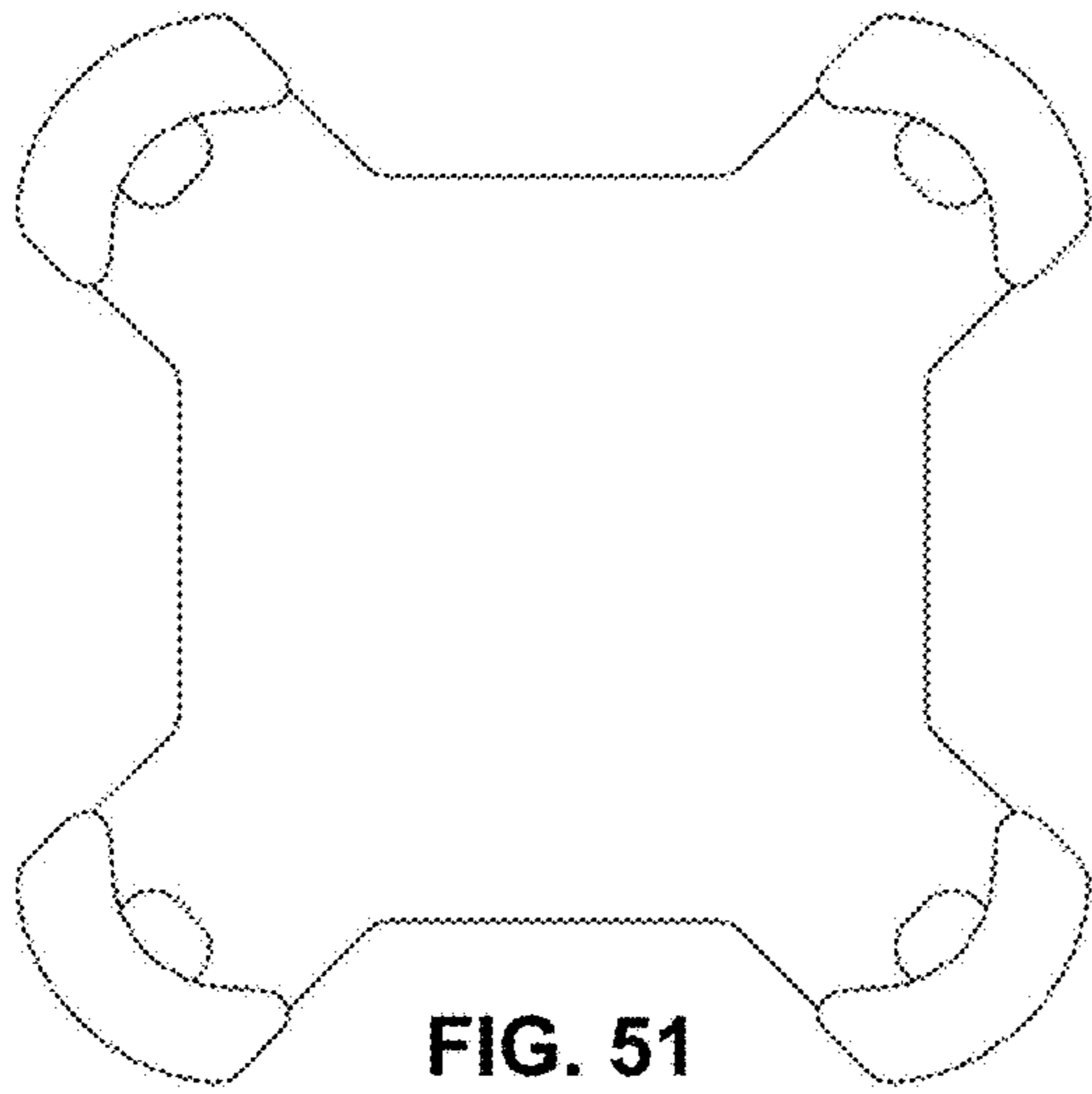


FIG. 50



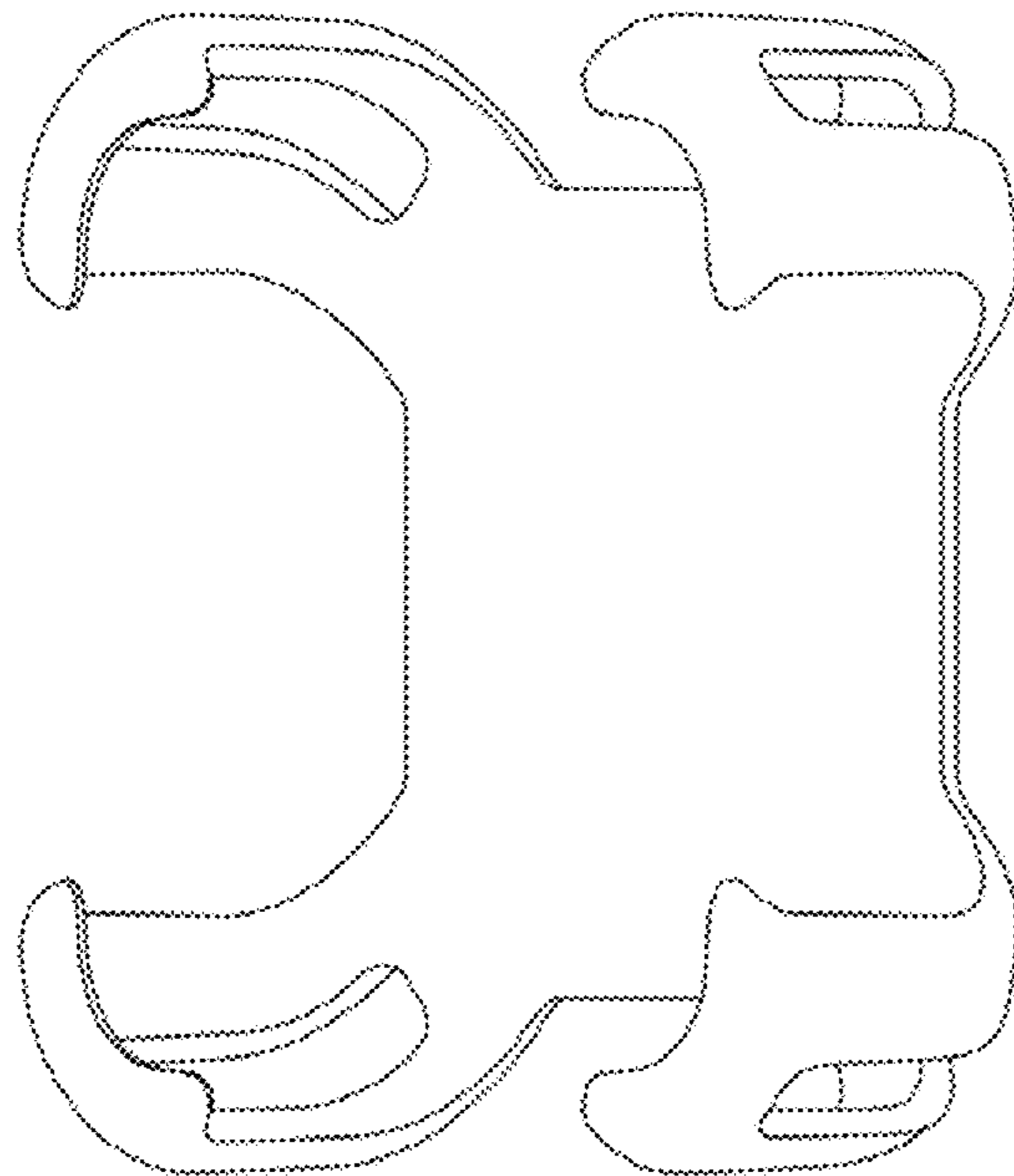


FIG. 57

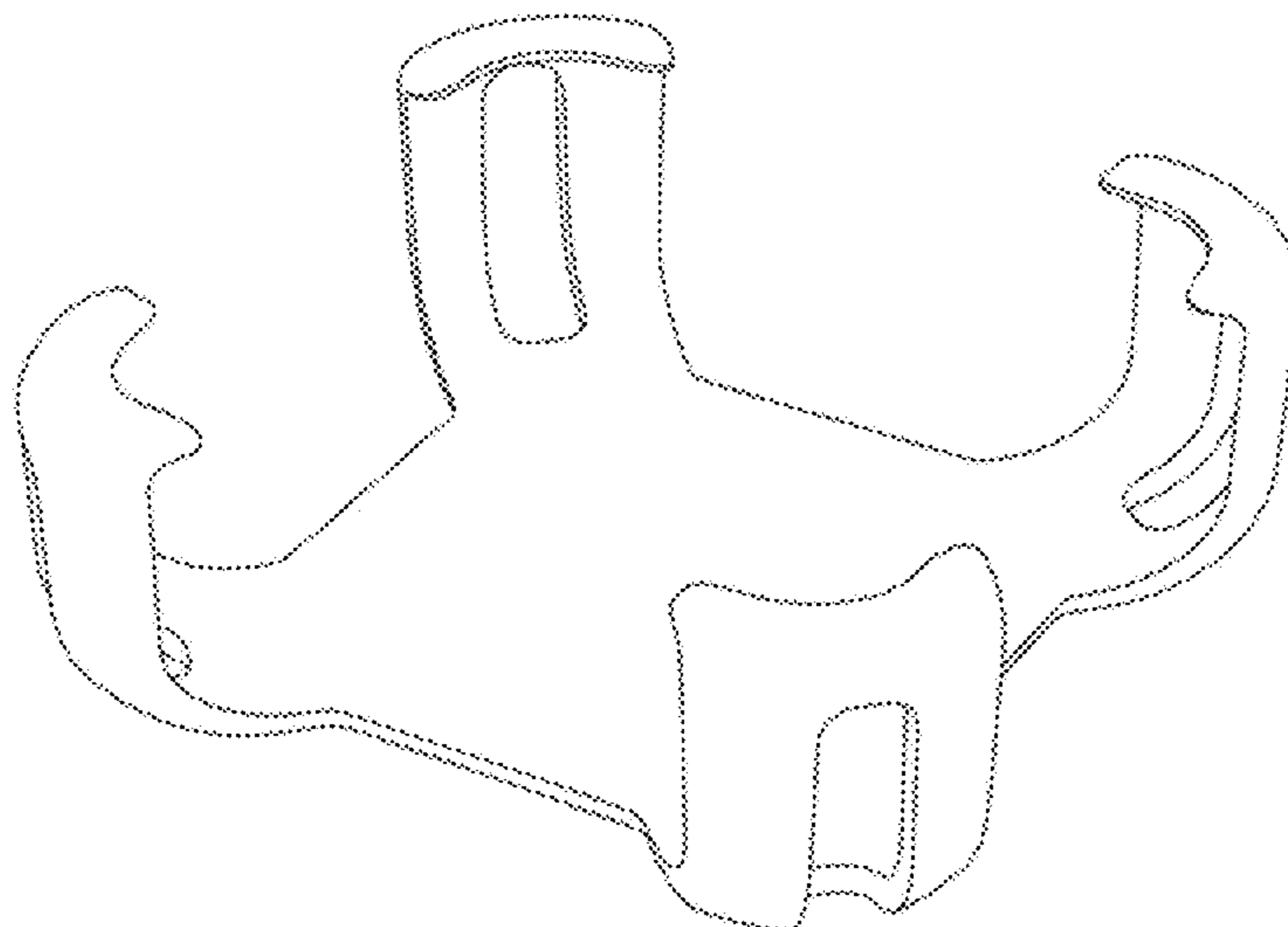


FIG. 58

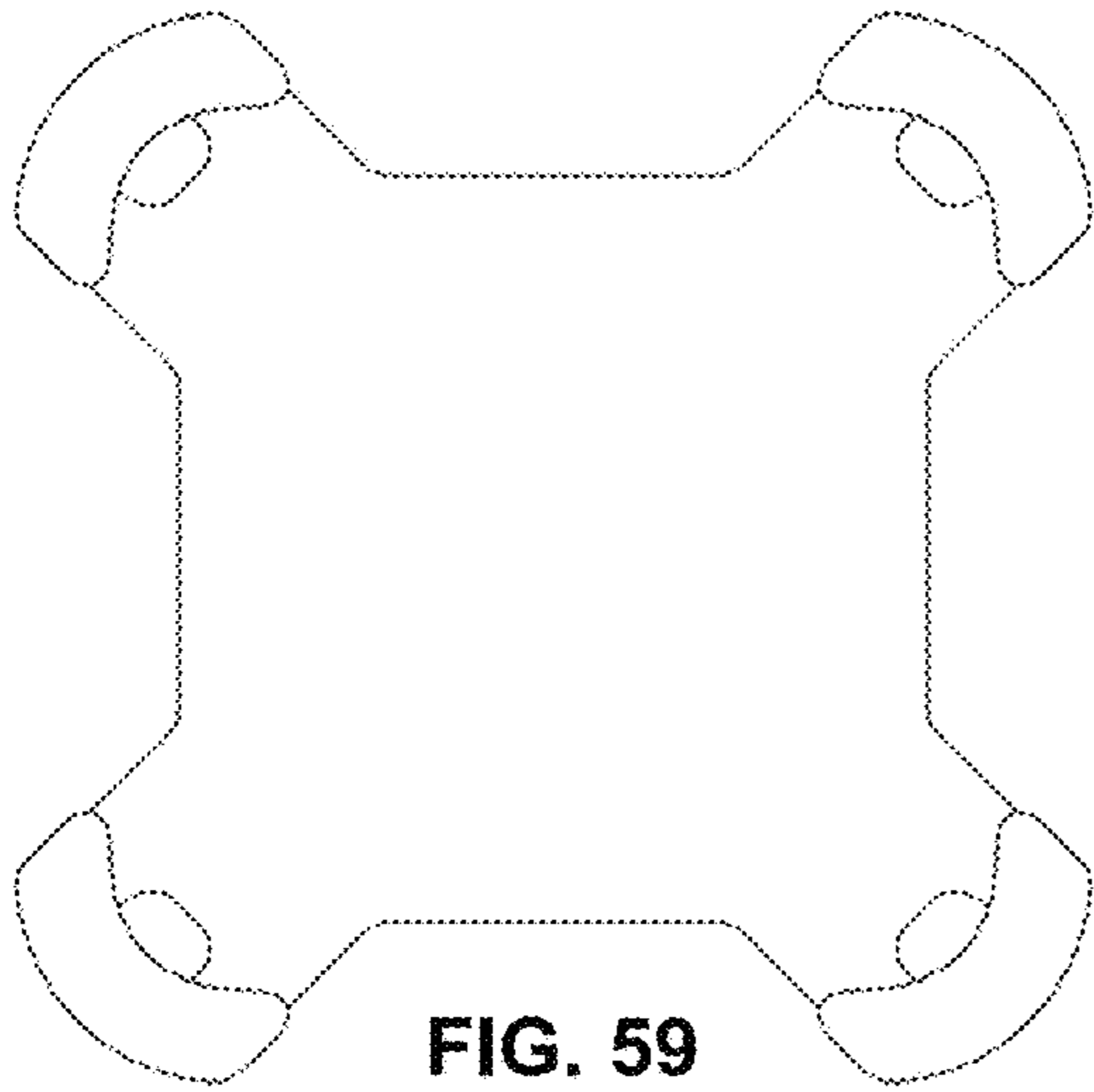


FIG. 59

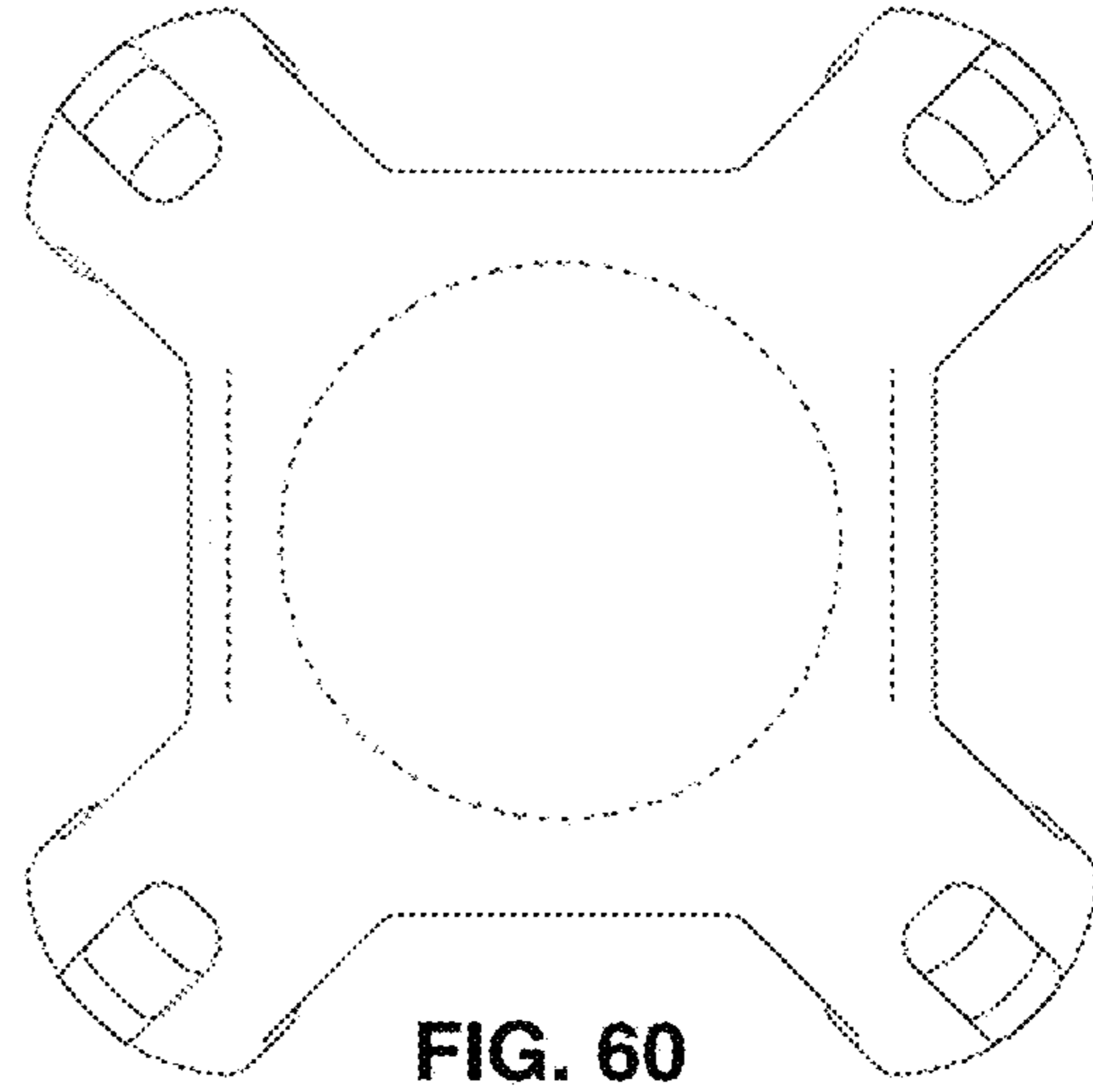


FIG. 60

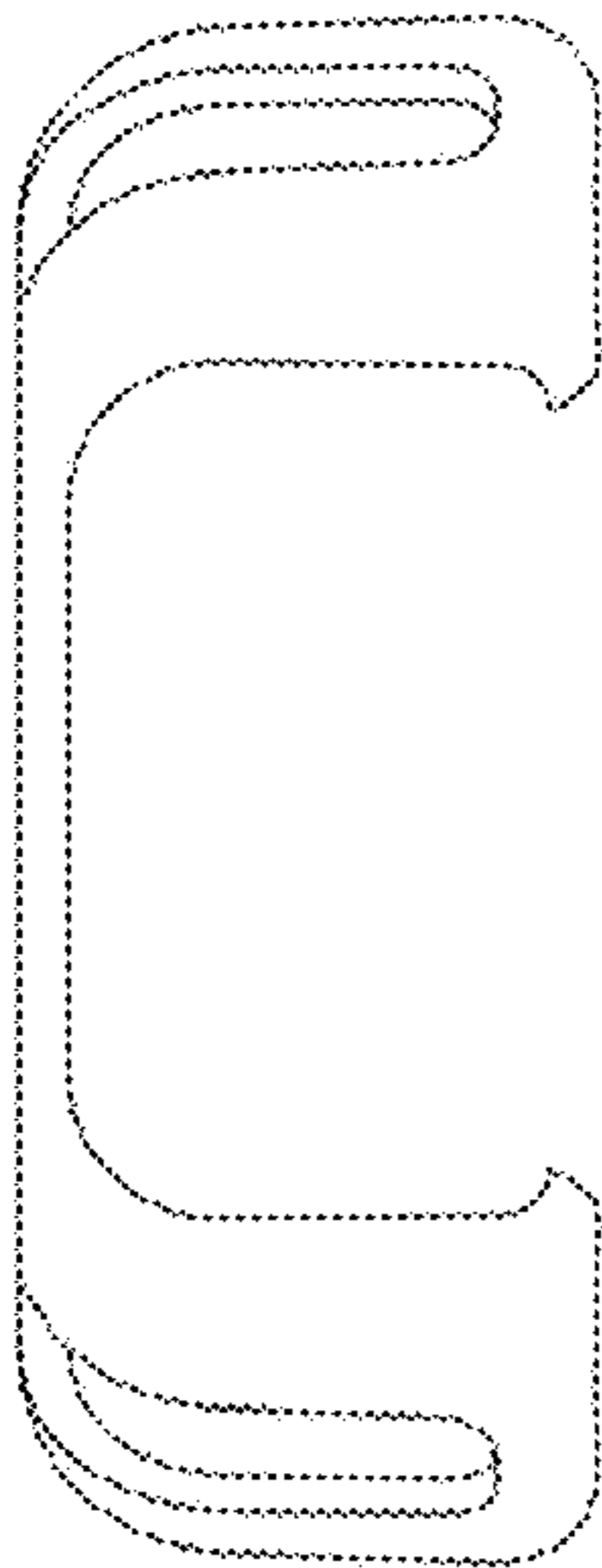


FIG. 61

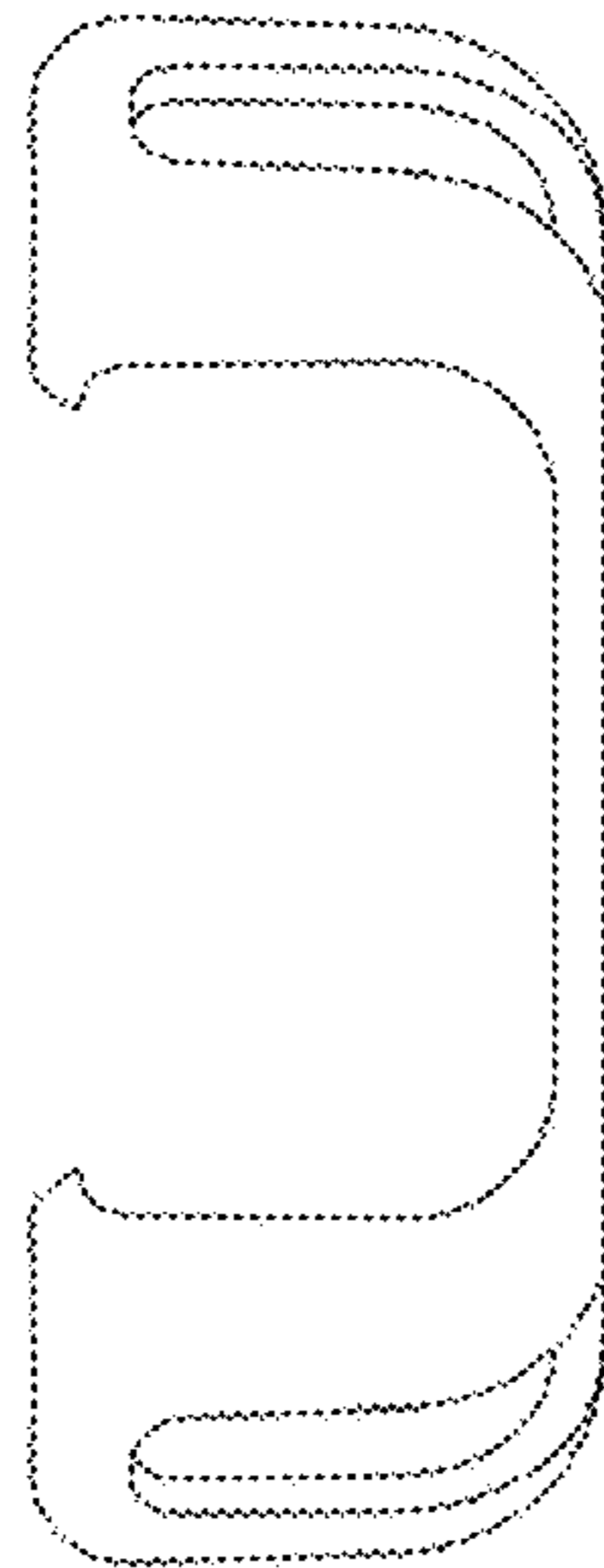


FIG. 62

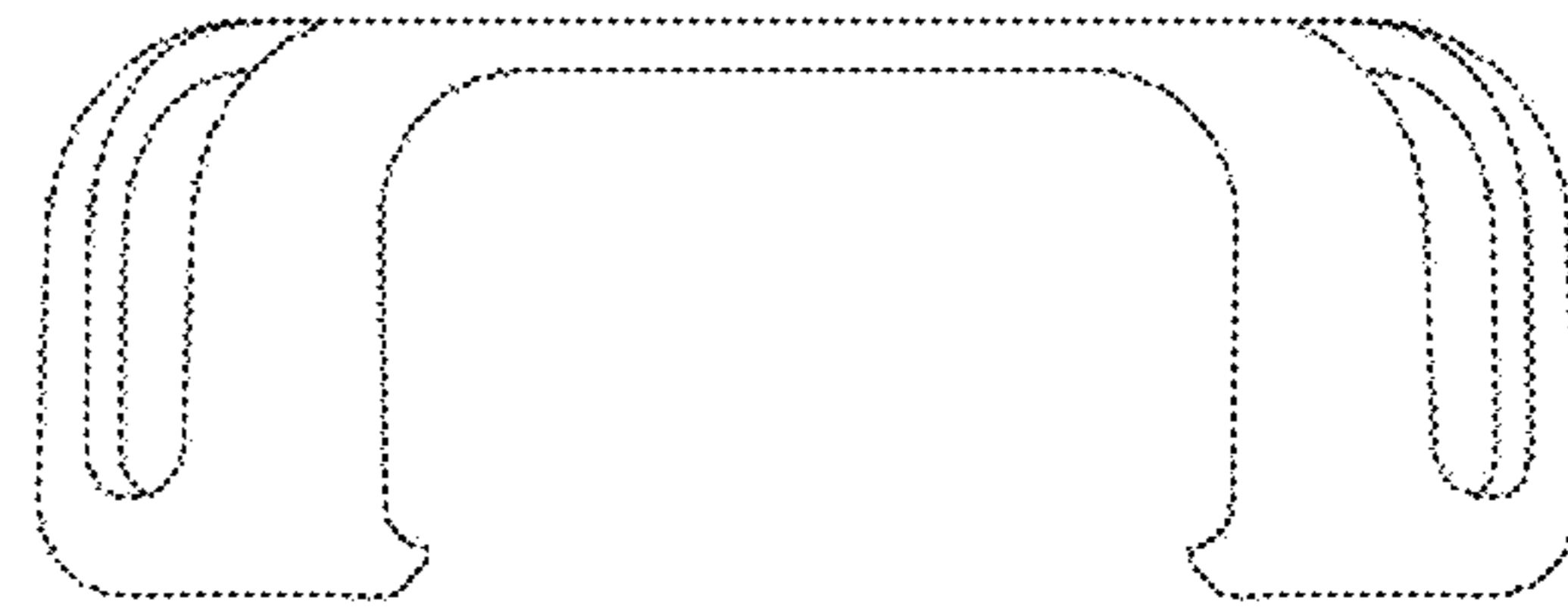


FIG. 63

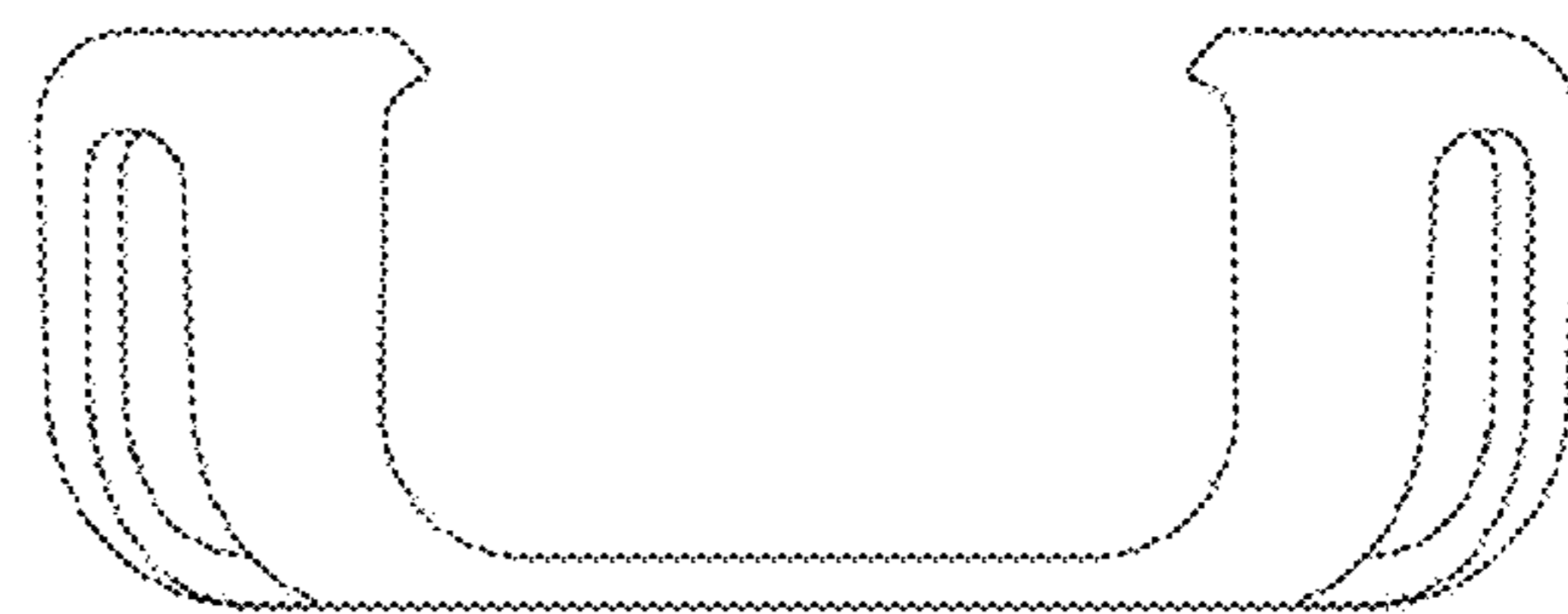


FIG. 64