

US00D847788S

(12) **United States Design Patent**
Baker et al.

(10) **Patent No.:** **US D847,788 S**

(45) **Date of Patent:** **** *May 7, 2019**

(54) **AUDIO CONTROLLER**

(71) Applicant: **Izotope, Inc.**, Cambridge, MA (US)

(72) Inventors: **Todd Baker**, Hampstead, NH (US);
Brett Bunting, Edinburgh (GB); **Axel Hartmann**, Fronreute (DE); **Taylor Jordan**, Cambridge, MA (US); **Damon Lemmon**, San Diego, CA (US); **Jonah Petri**, Somerville, MA (US); **Giacomo Strollo**, San Diego, CA (US)

(73) Assignee: **iZotope, Inc.**, Cambridge, MA (US)

(*) Notice: This patent is subject to a terminal disclaimer.

(**) Term: **15 Years**

(21) Appl. No.: **29/594,043**

(22) Filed: **Feb. 15, 2017**

(51) **LOC (11) Cl.** **14-03**

(52) **U.S. Cl.**
USPC **D14/217**

(58) **Field of Classification Search**
USPC D14/217, 215, 216, 168, 265, 434, 172
CPC H03G 3/20; H03G 3/3005; H03G 3/32;
H03G 5/005; H03G 5/165; H03G 7/002
See application file for complete search history.

(56) **References Cited**

U.S. PATENT DOCUMENTS

D542,279 S *	5/2007	Chan	D14/216
D640,231 S *	6/2011	Joseph	D14/171
D687,809 S *	8/2013	Bergmann	D14/209.1
D692,411 S *	10/2013	Joseph	D14/215
D692,413 S *	10/2013	Holzer	D14/215

D720,752 S *	1/2015	Bleas	D14/216
D770,416 S *	11/2016	Tkachuk	D14/216
D784,271 S *	4/2017	Burke	D13/168

* cited by examiner

Primary Examiner — Mitchell I. Siegel
Assistant Examiner — Khawaja Anwar
(74) *Attorney, Agent, or Firm* — Wolf, Greenfield & Sacks, P.C.

(57) **CLAIM**

The ornamental design for an audio controller, as shown and described.

DESCRIPTION

FIG. 1 is a top, front, left side perspective view of an audio controller according to the first embodiment of our new design;

FIG. 2 is a front elevation view thereof;

FIG. 3 is a rear elevation view thereof;

FIG. 4 is a left side elevation view thereof;

FIG. 5 is a right side elevation view thereof;

FIG. 6 is a top plan view thereof;

FIG. 7 is a bottom plan view thereof;

FIG. 8 is a top, front, left side perspective view of an audio controller according to the second embodiment of our new design;

FIG. 9 is a front elevation view thereof;

FIG. 10 is a rear elevation view thereof;

FIG. 11 is a left side elevation view thereof;

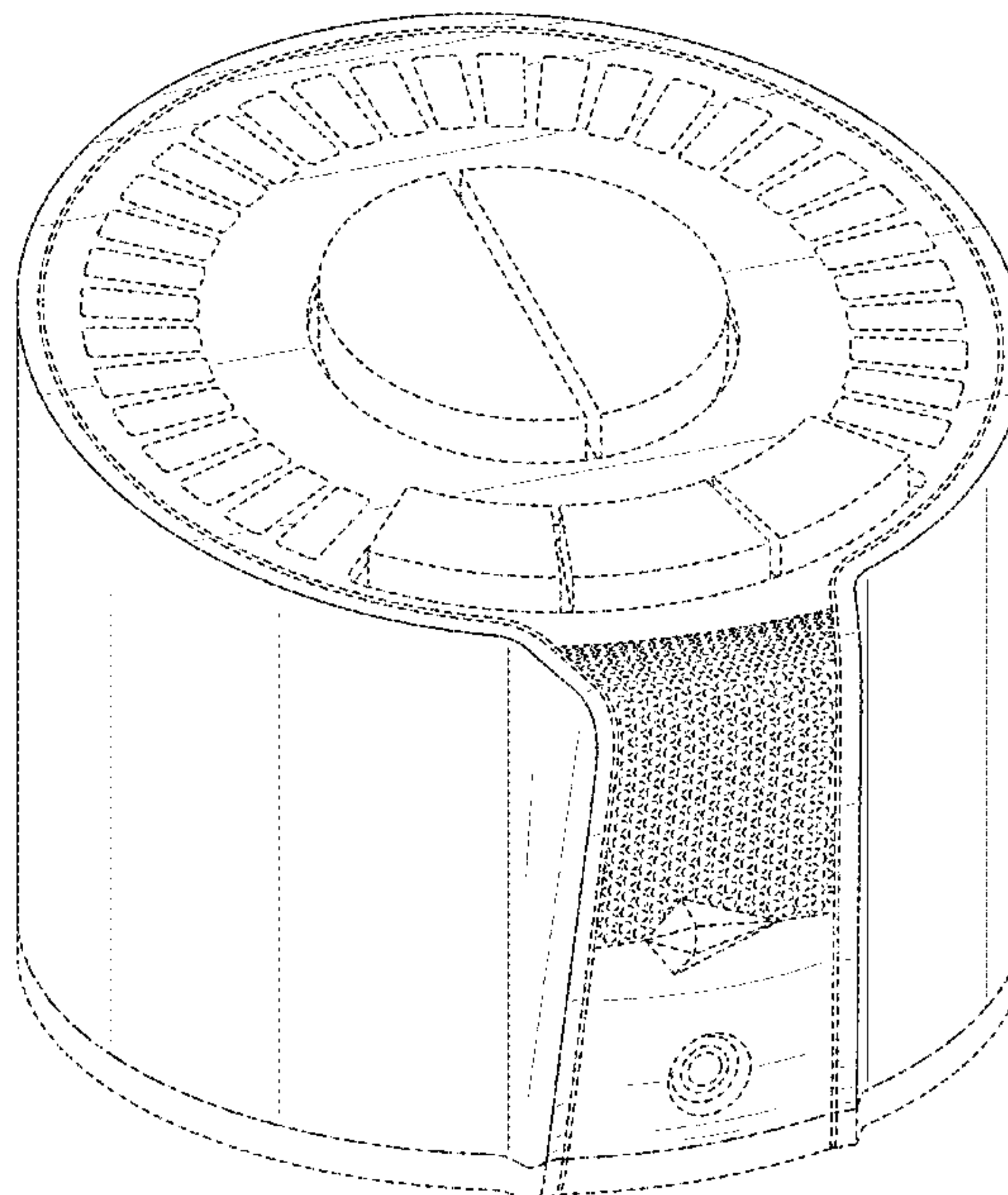
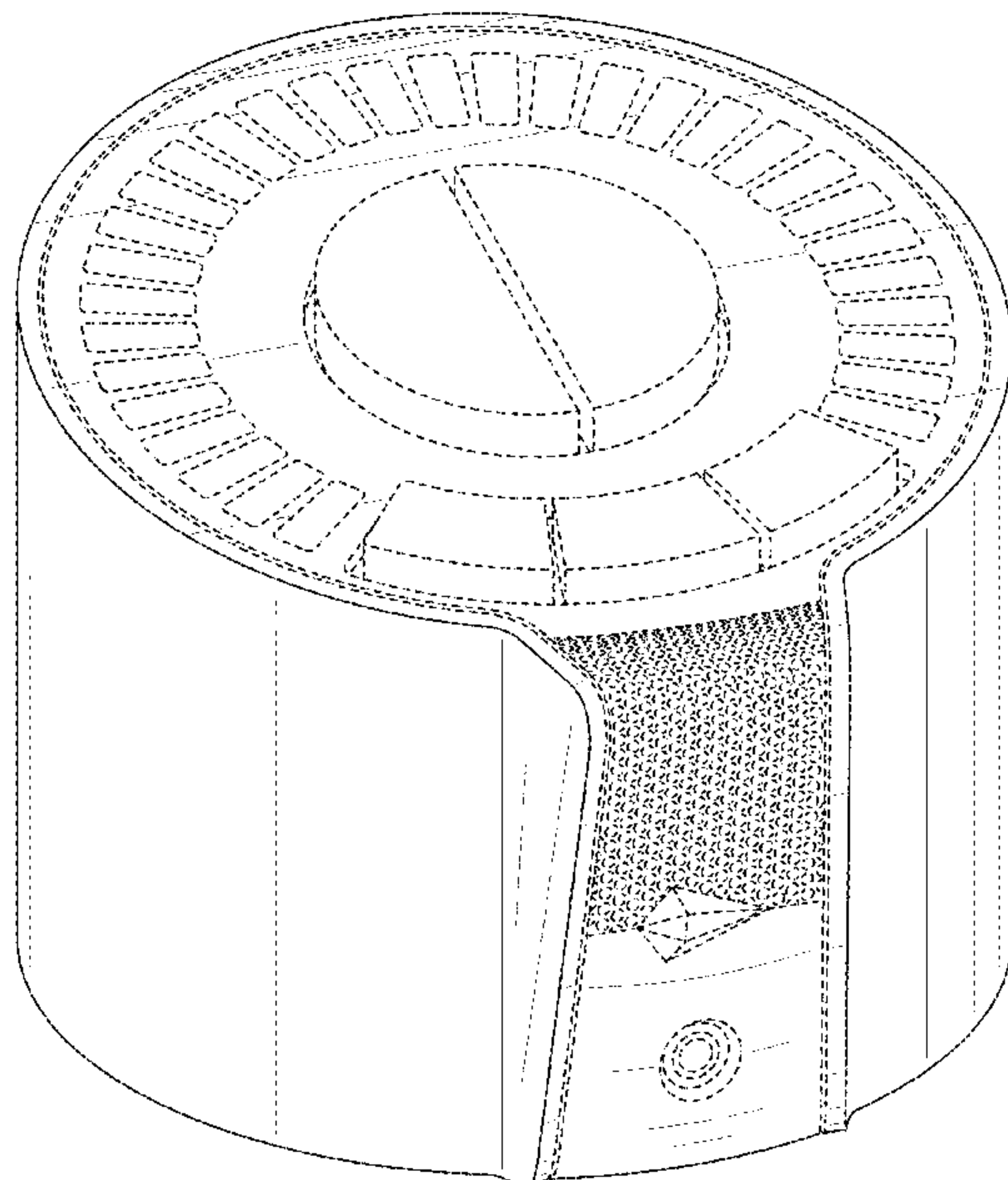
FIG. 12 is a right side elevation view thereof;

FIG. 13 is a top plan view thereof; and,

FIG. 14 is a bottom plan view thereof.

The dot-dash broken lines in the figures represent boundaries of the claimed design and form no part thereof. All other broken lines shown illustrate portions of the audio controller that form no part of the claimed design.

1 Claim, 14 Drawing Sheets



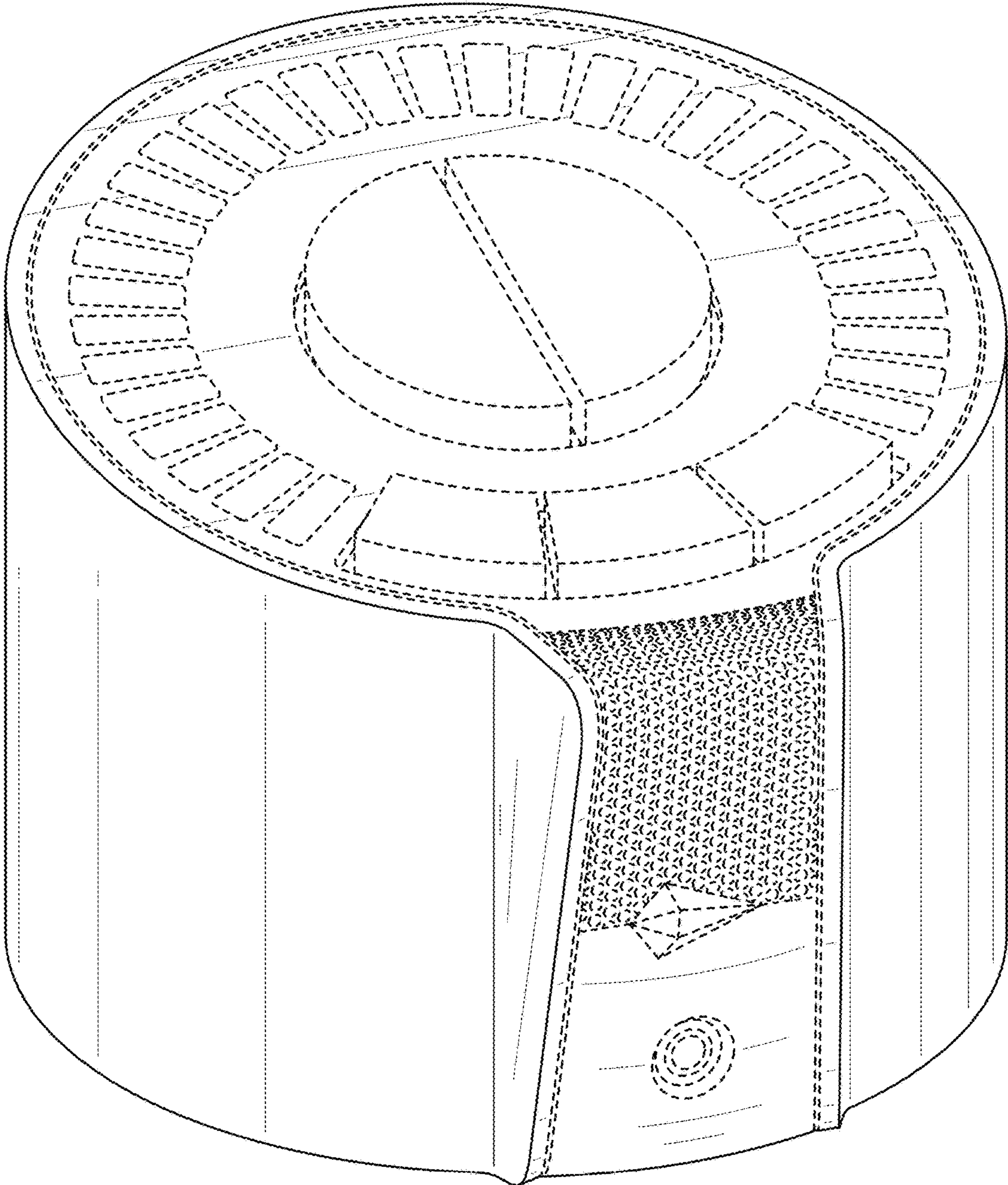


FIG. 1

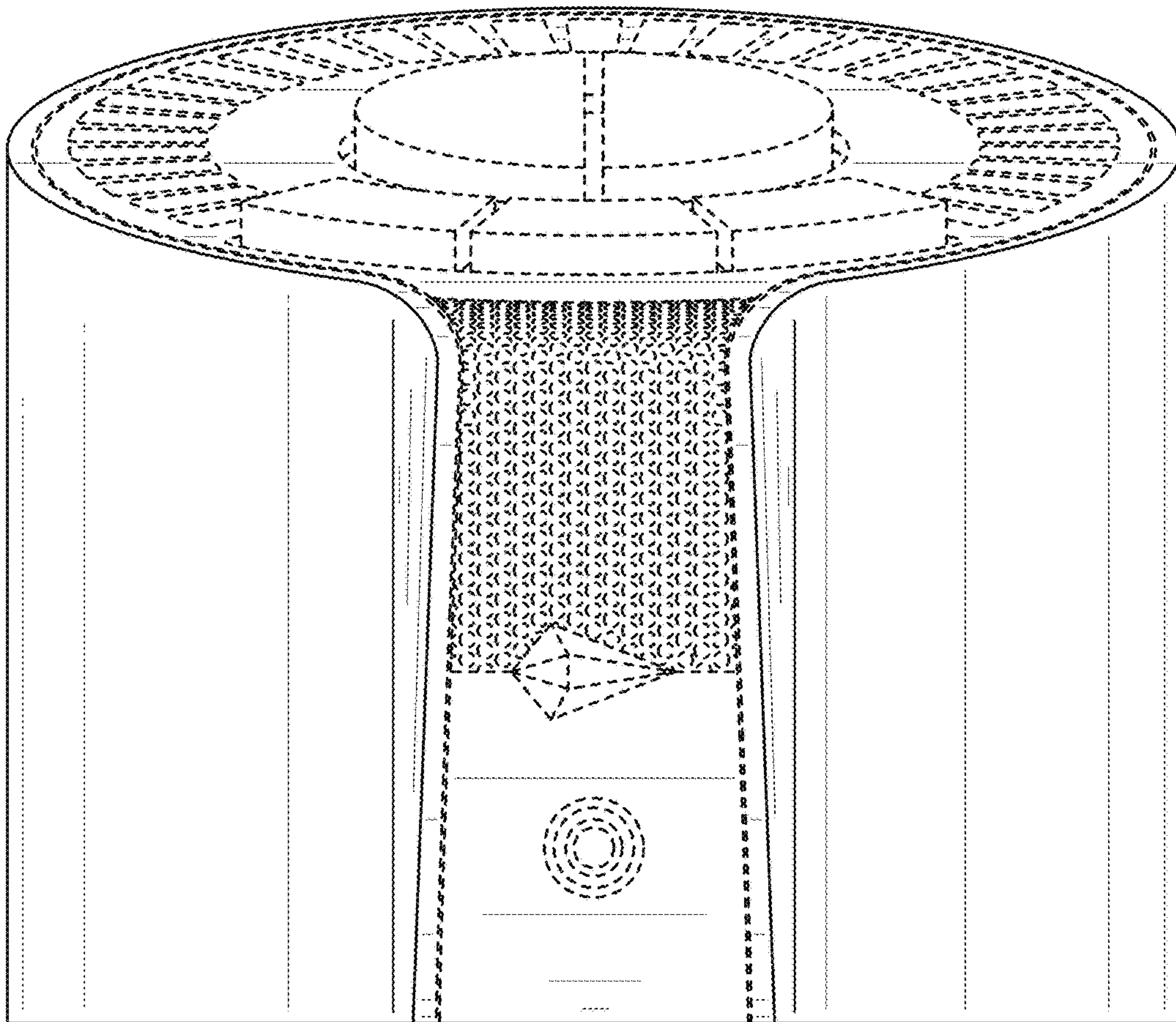


FIG. 2

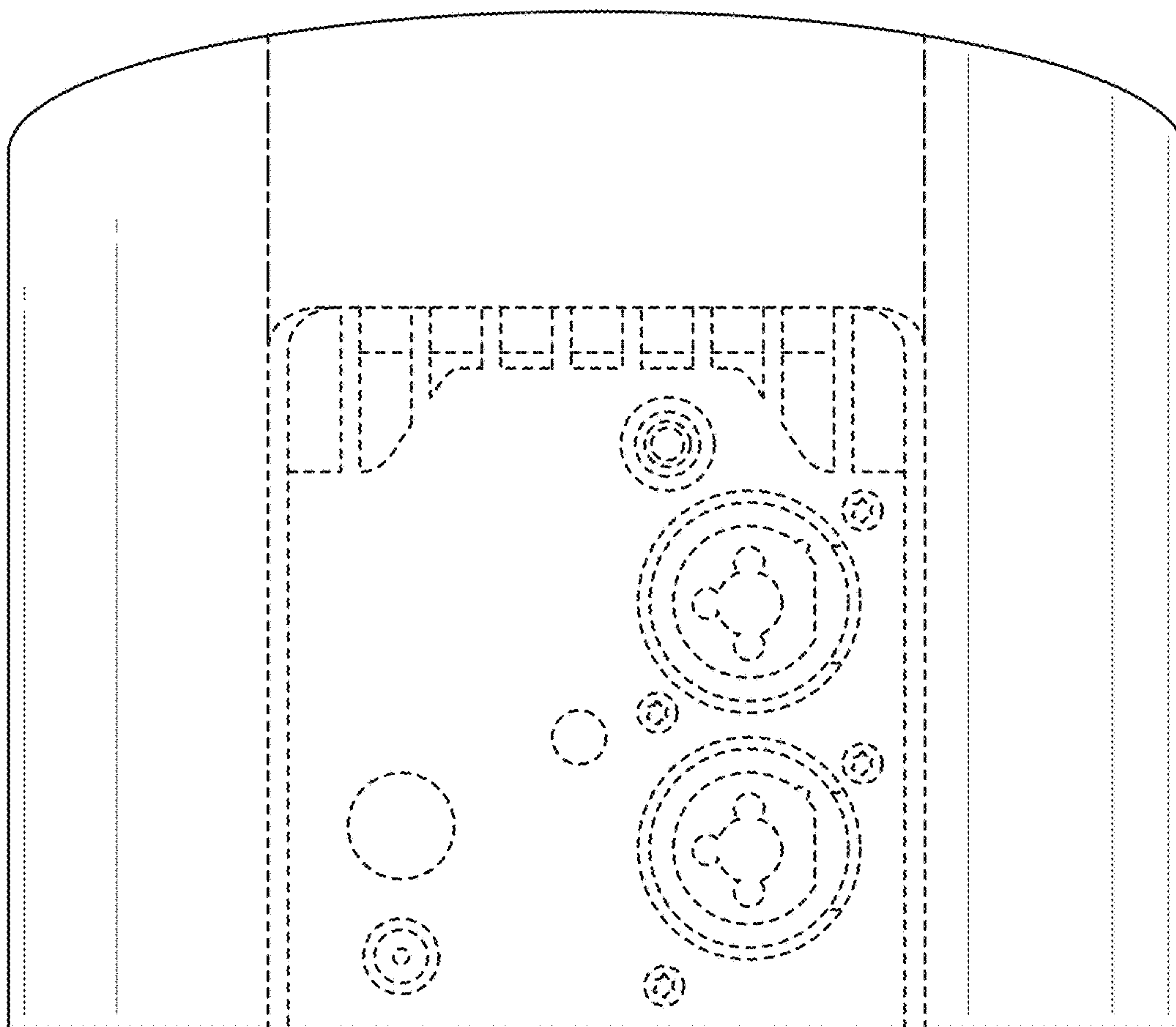


FIG. 3

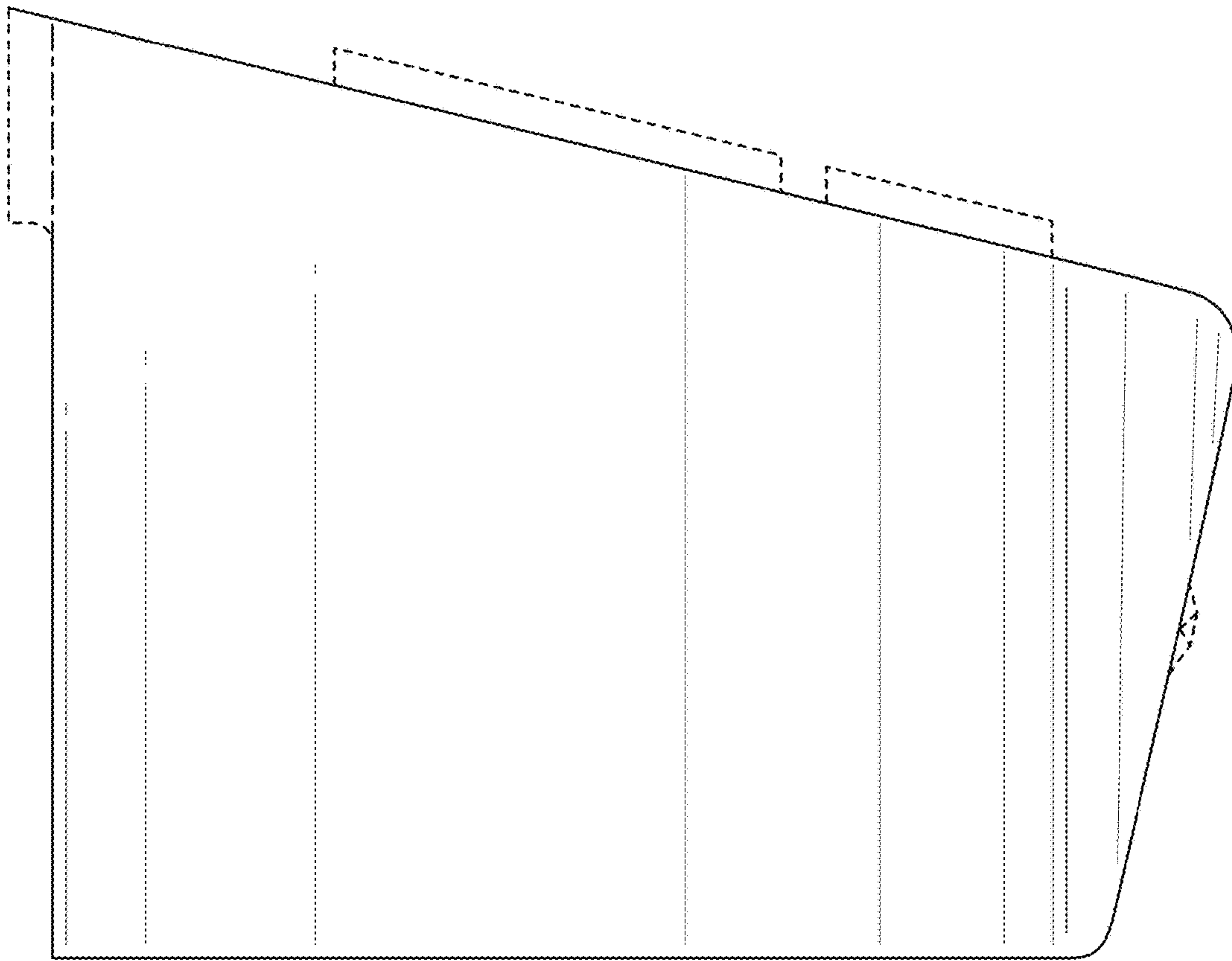


FIG. 4

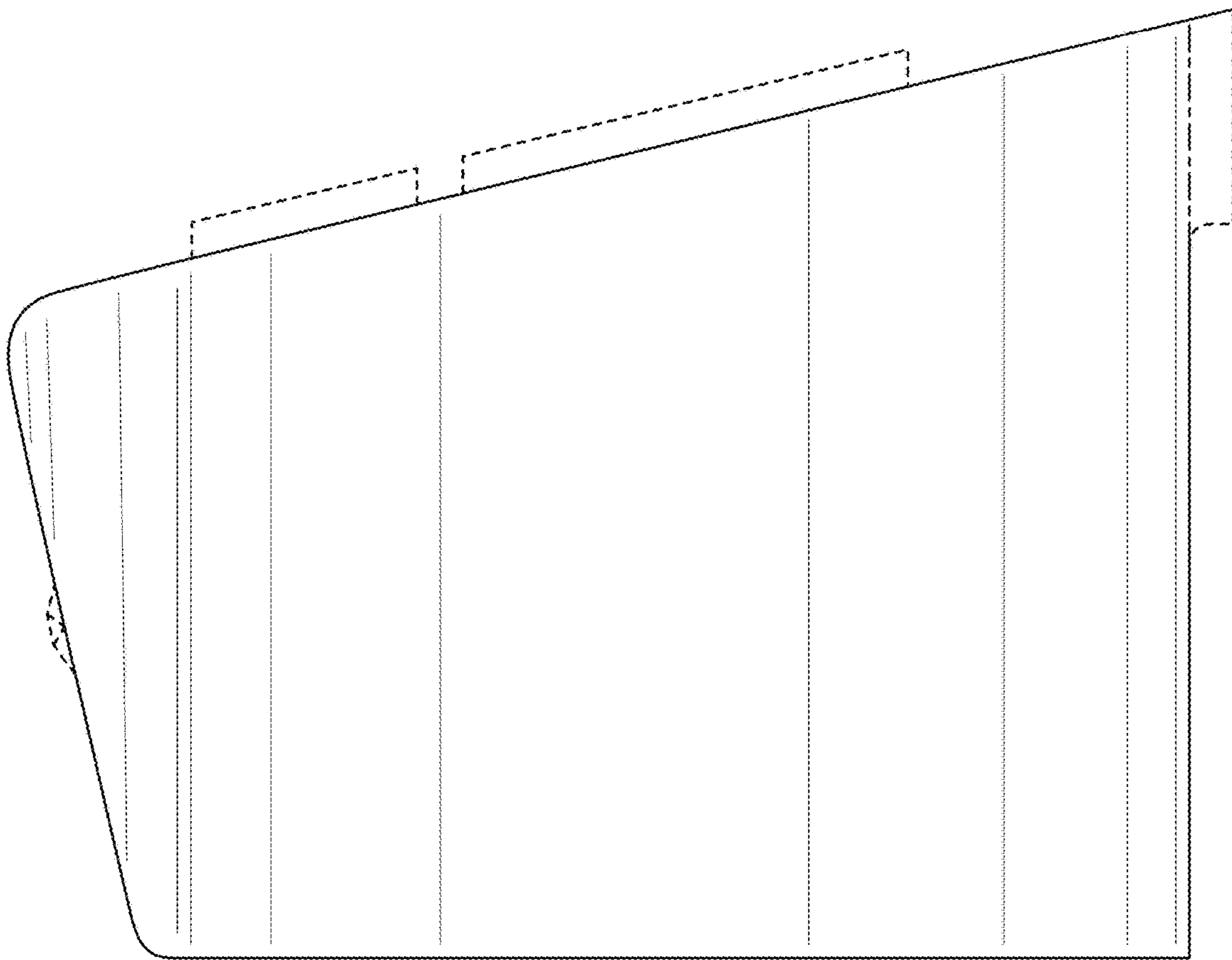


FIG. 5

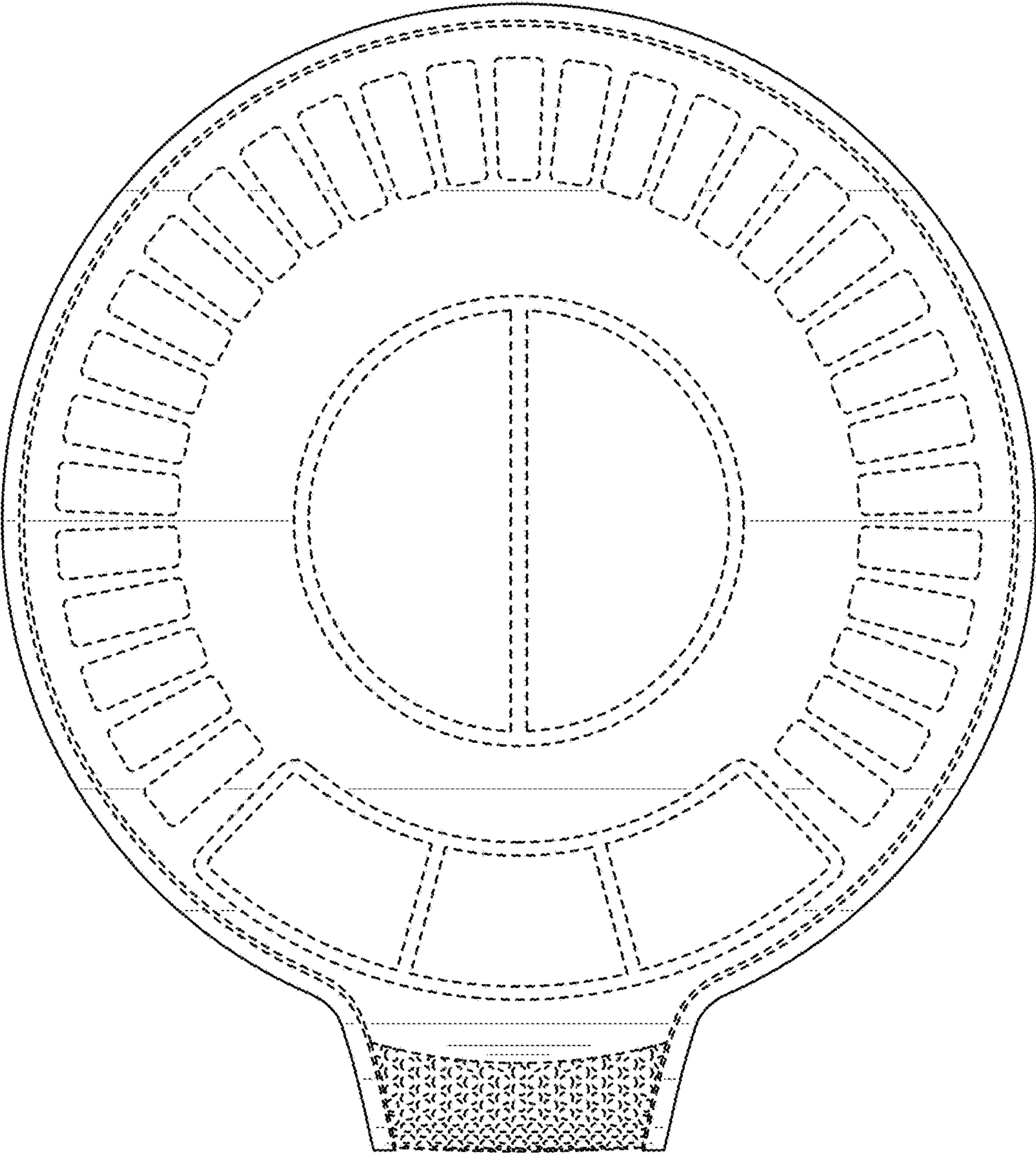


FIG. 6

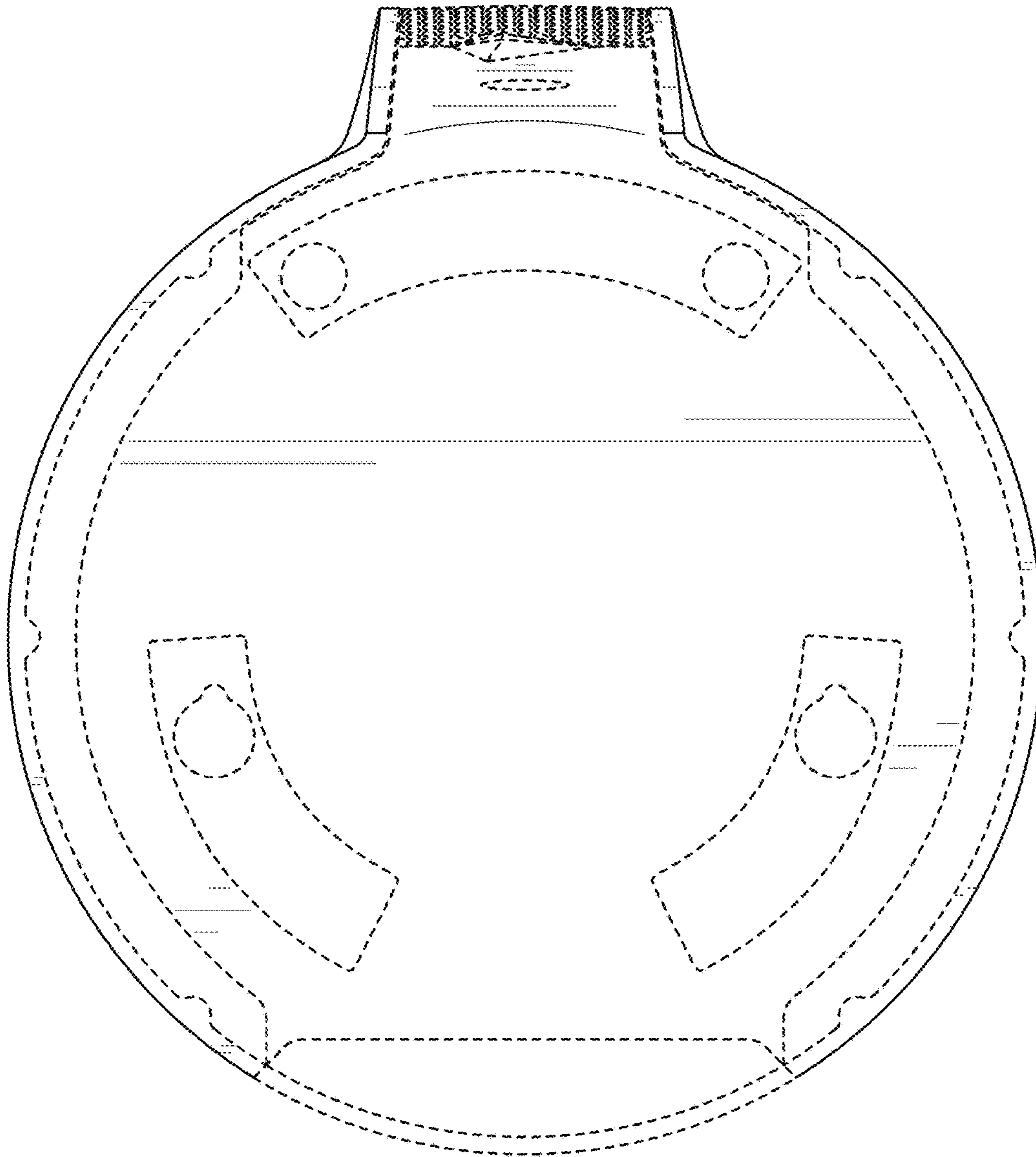


FIG. 7

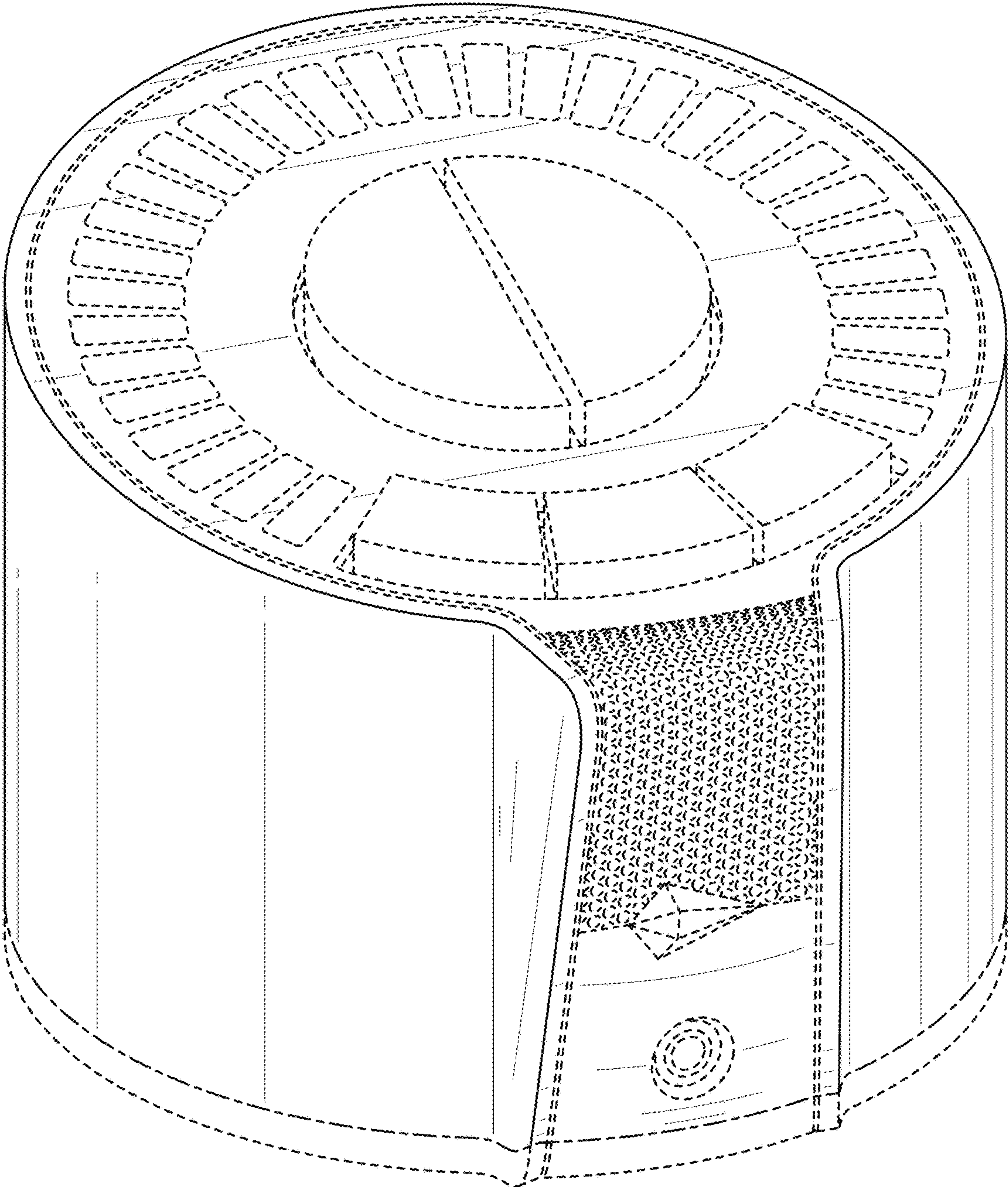


FIG. 8

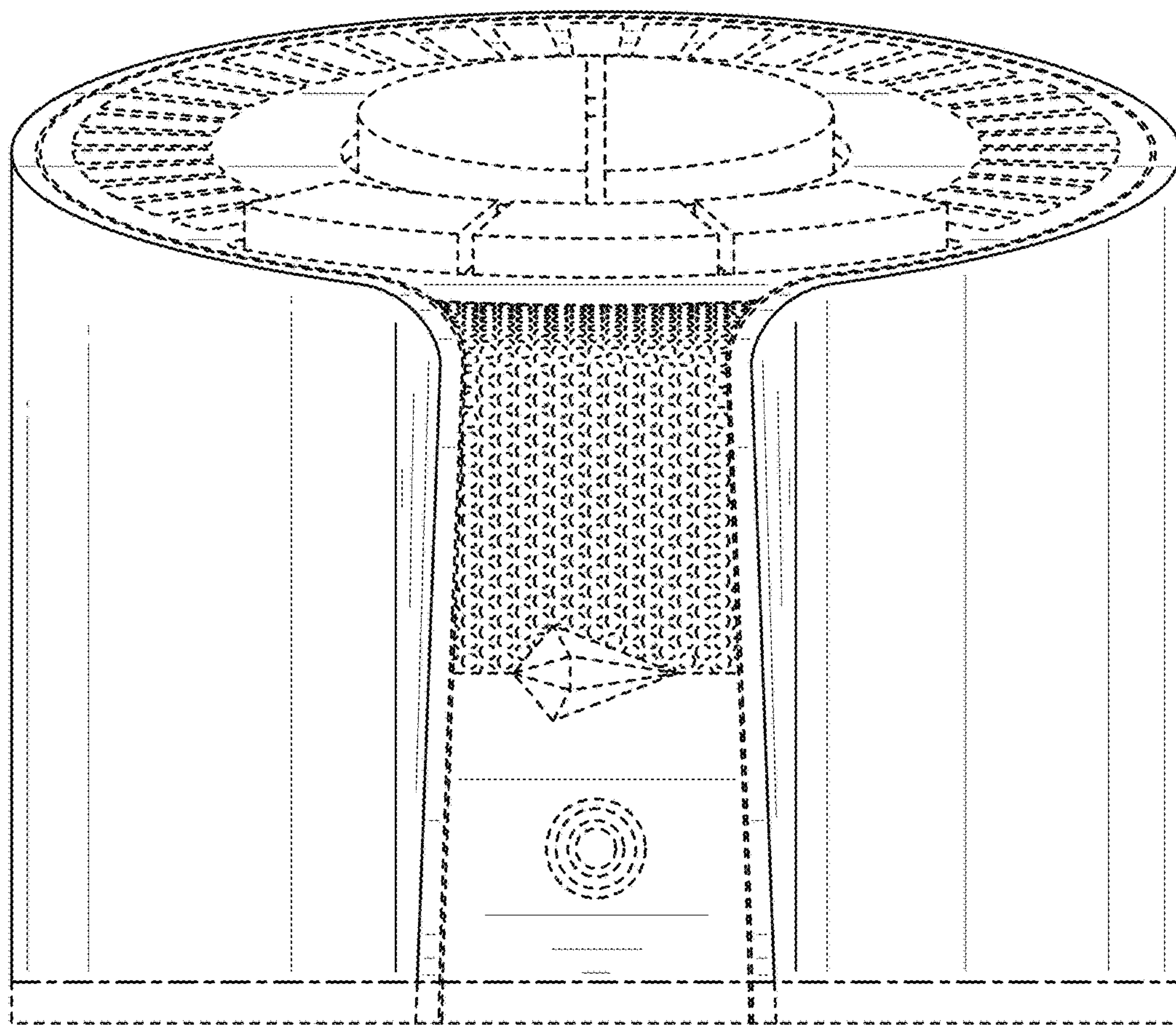


FIG. 9

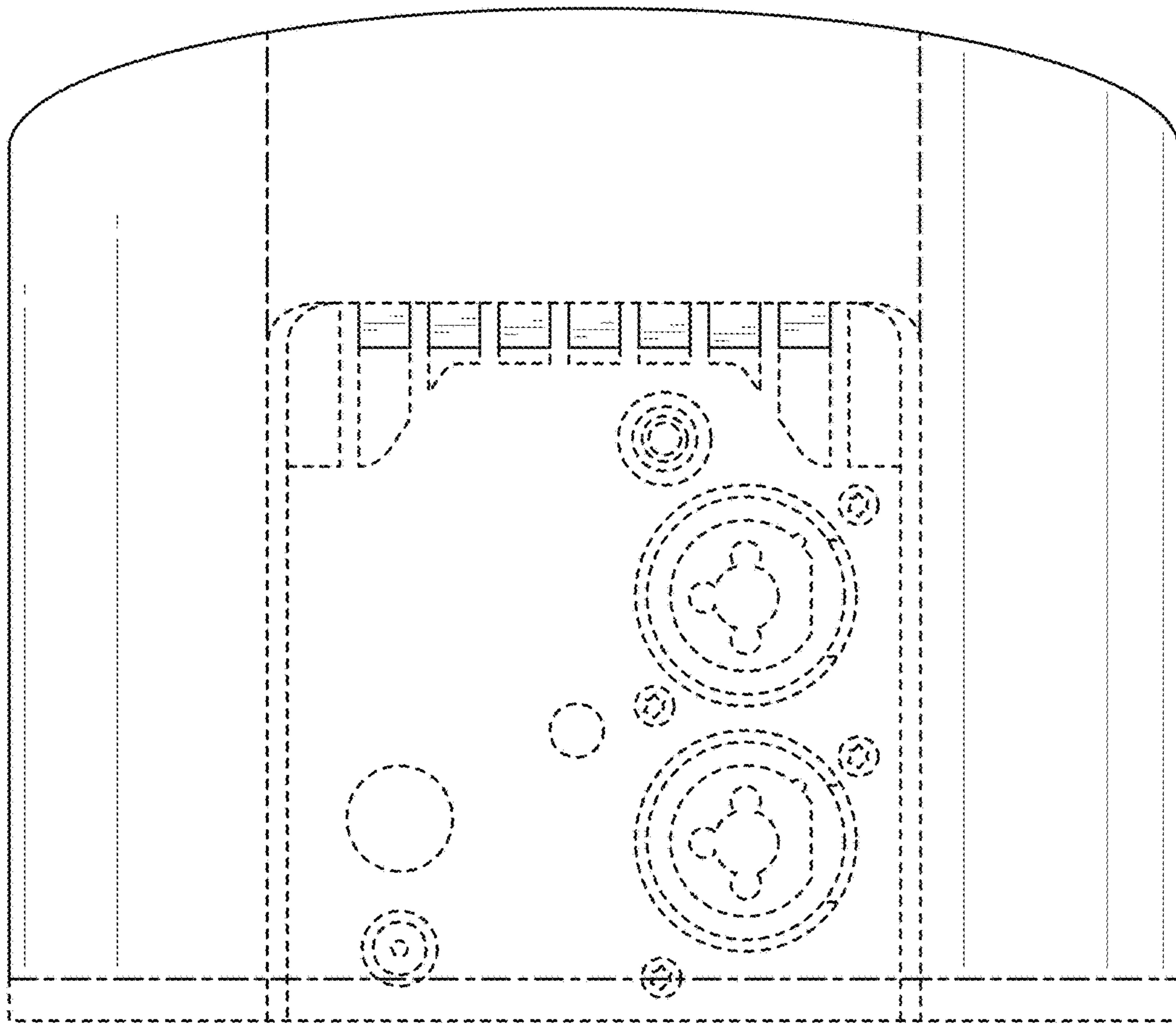


FIG. 10

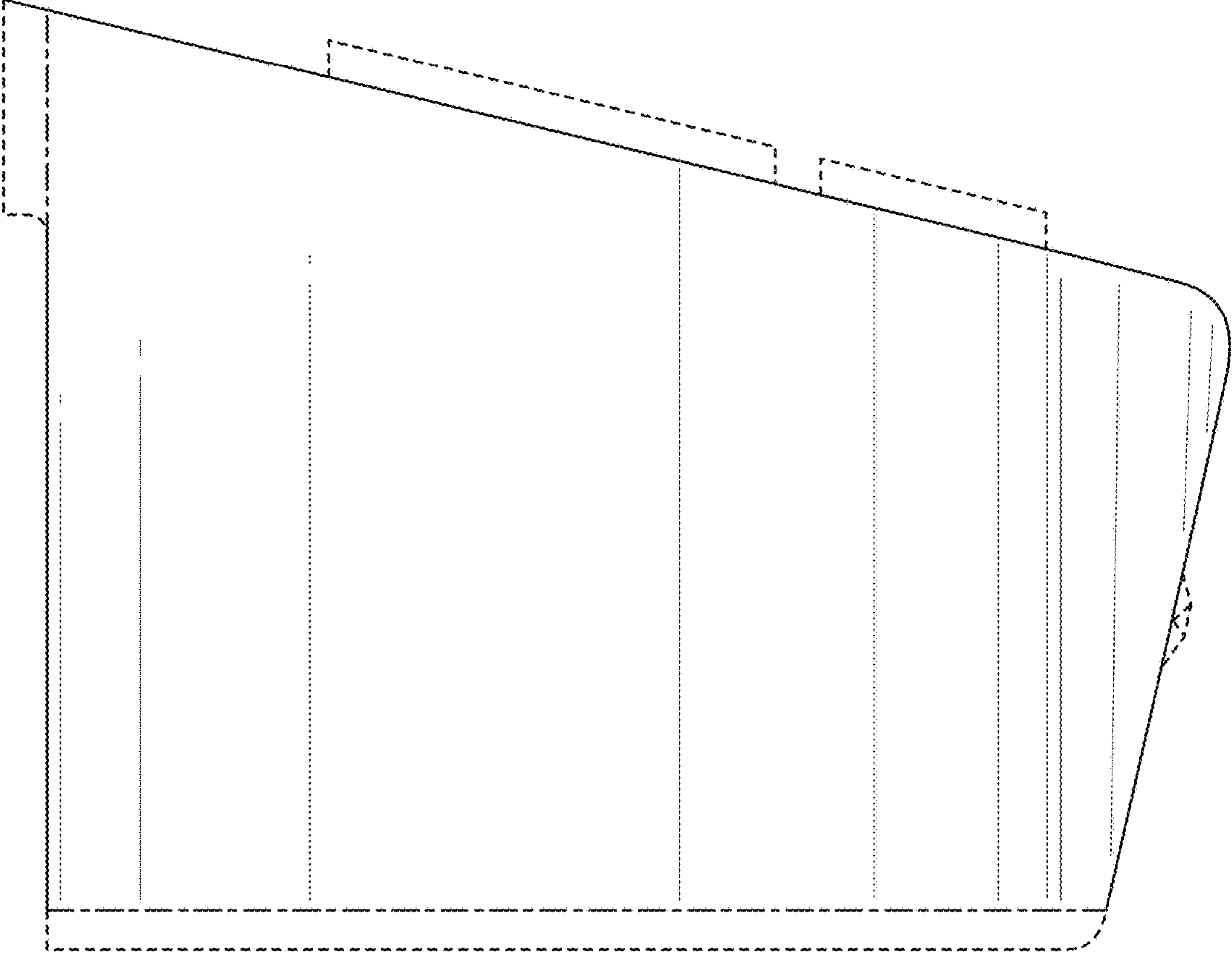


FIG. 11

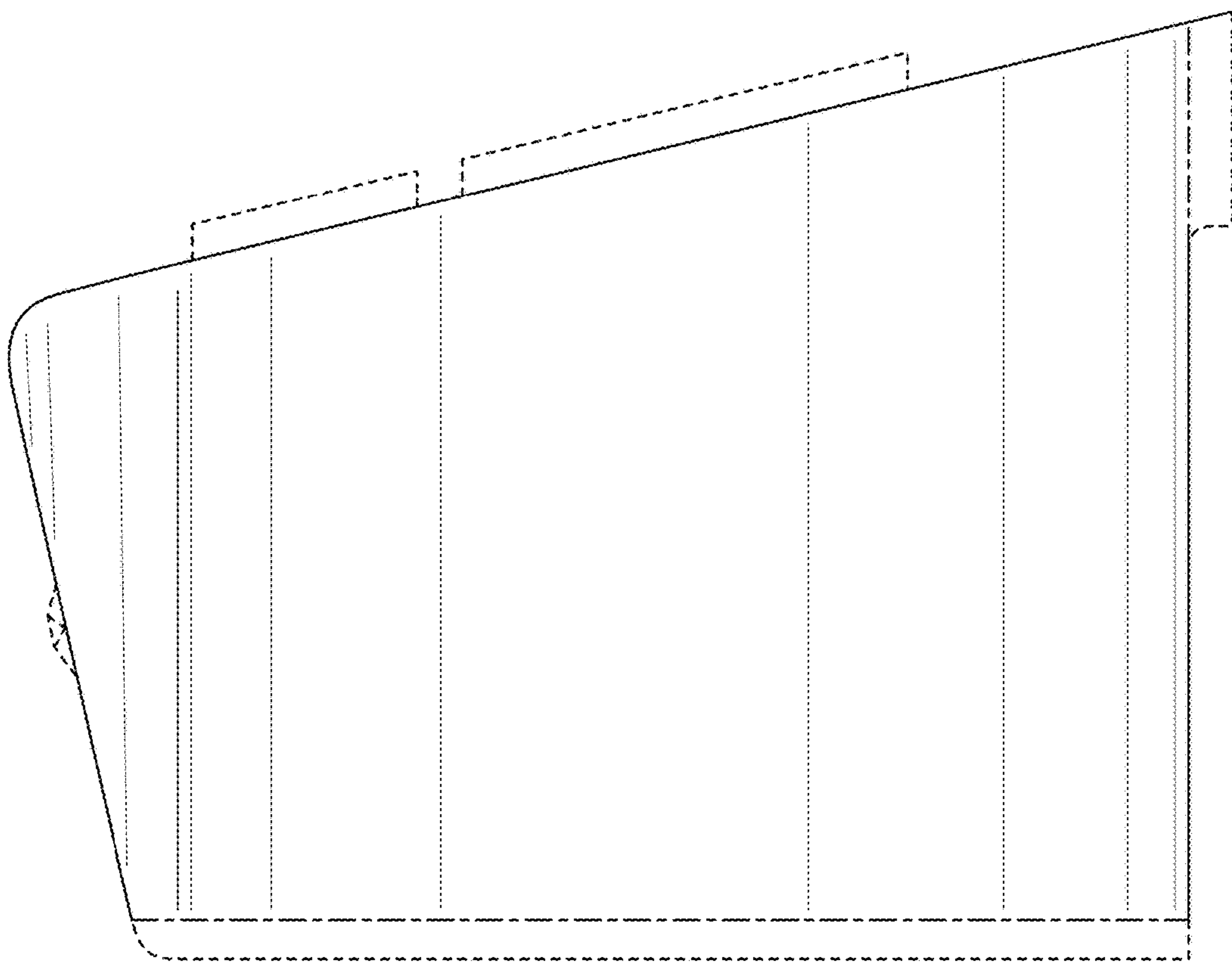


FIG. 12

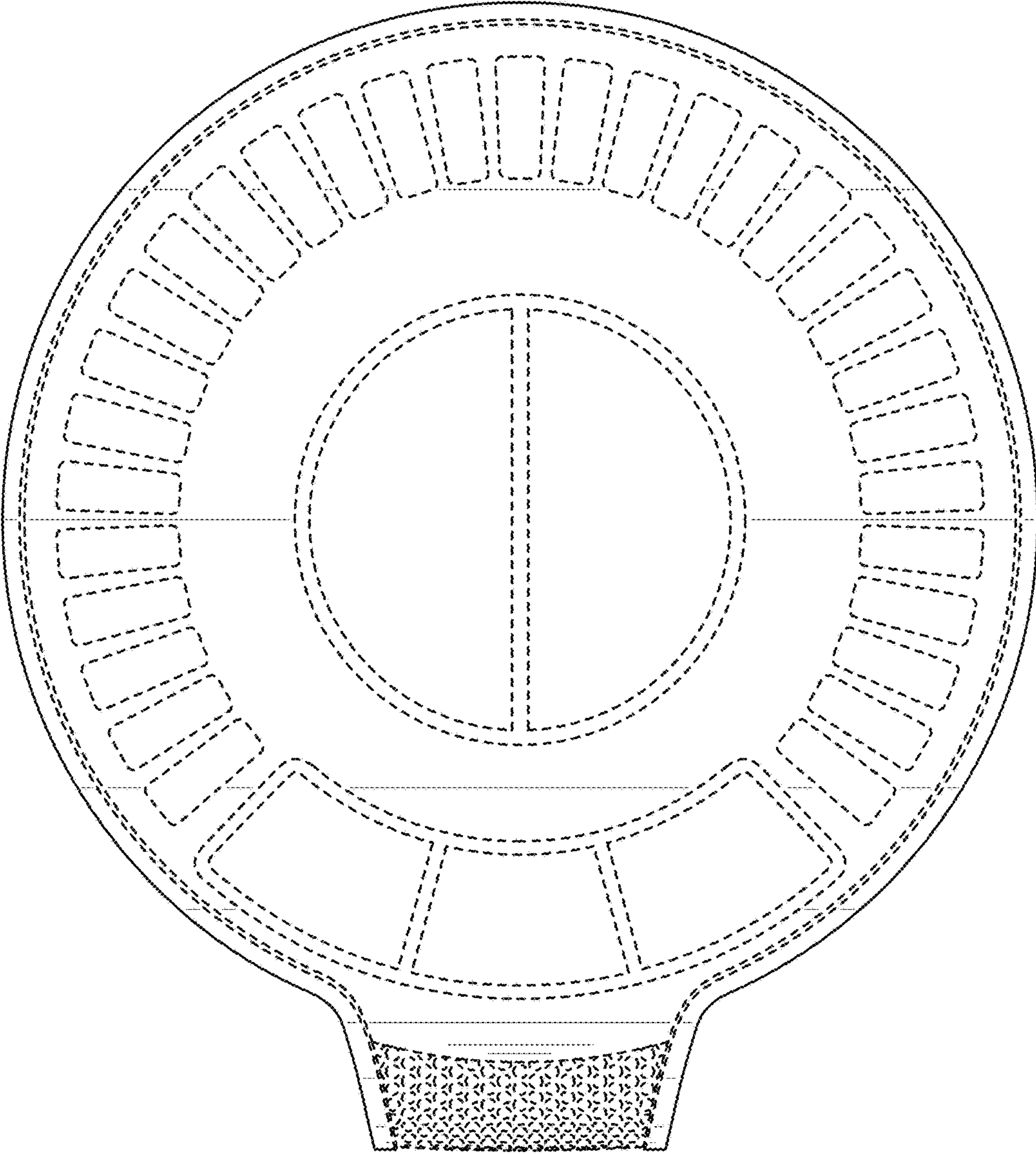


FIG. 13

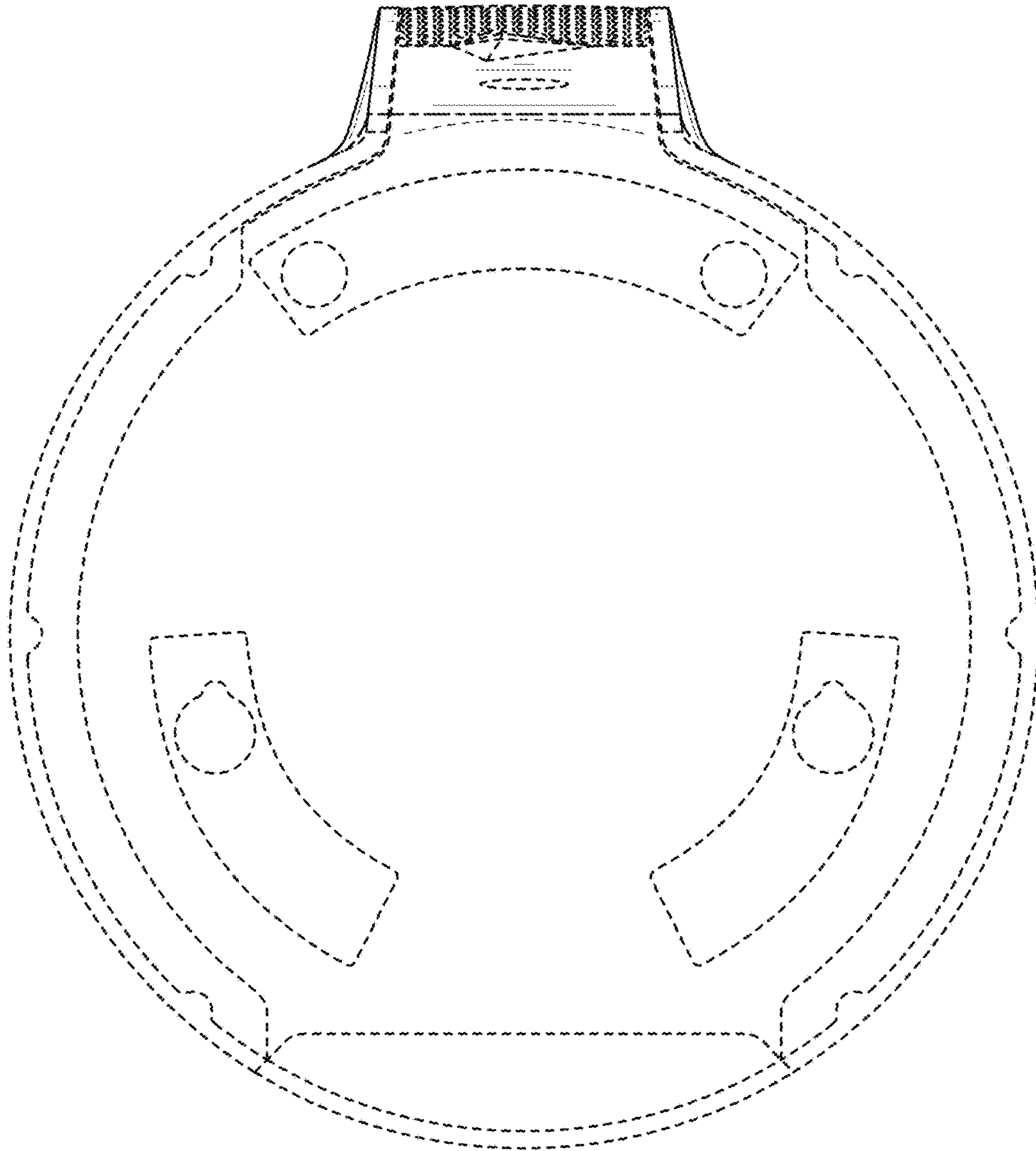


FIG. 14