



US00D847787S

(12) **United States Design Patent** (10) **Patent No.:** **US D847,787 S**
Weirun (45) **Date of Patent:** **** May 7, 2019**

(54) **COLLAPSIBLE CELL PHONE HOLDER FOR CHAIR ARM**

Primary Examiner — Khawaja Anwar
(74) *Attorney, Agent, or Firm* — Robert C. Kain, Jr.

(71) Applicant: **Shanghai Jirun Industrial Co., Ltd.**,
Qingpu, Shanghai (CN)

(57) **CLAIM**

I claim the ornamental design for collapsible cell phone holder for a chair arm, as shown and described.

(72) Inventor: **Zhang Weirun**, Shanghai (CN)

DESCRIPTION

(73) Assignee: **Shanghai Jirun Industrial Co., Ltd.**,
Shanghai (CN)

FIG. 1 is a perspective view of the collapsible cell phone holder for a chair arm wherein the cell phone holder is collapsed.

(**) Term: **15 Years**

FIG. 2 is a top view of the collapsible cell phone holder for a chair arm wherein the cell phone holder is collapsed.

(21) Appl. No.: **29/587,004**

FIG. 3 is a front view of the collapsible cell phone holder for a chair arm wherein the cell phone holder is collapsed.

(22) Filed: **Dec. 8, 2016**

FIG. 4 is a rear view of the collapsible cell phone holder for a chair arm wherein the cell phone holder is collapsed.

(51) **LOC (11) Cl.** **14-03**

FIG. 5 is a left side view of the collapsible cell phone holder for a chair arm wherein the cell phone holder is collapsed. The right side view being a mirror image of the left side view.

(52) **U.S. Cl.**

USPC **D14/217**

(58) **Field of Classification Search**

USPC D14/217, 250, 251, 252, 253, 451, 452,
D14/440, 434, 447, 458, 432, 439, 457,
D14/460, 238.1, 140, 142, 149, 148

FIG. 6 is a bottom view of the collapsible cell phone holder for a chair arm wherein the cell phone holder is collapsed. FIG. 7 is a perspective view of the collapsible cell phone holder for a chair arm wherein the cell phone holder is extended.

CPC .. H04M 1/04; H04M 1/6075; H04M 1/72569;
H04M 1/72577; H04M 17/026; H04M 1/006;
H04M 1/0214; H04M 1/0233; H04M 1/0254;
H04M 1/0264; H04M 1/0279; H04M 1/18; H04M 1/6091;
H04M 1/723; H04M 1/725; H04M 2207/206;
H04M 2250/16; H04M 1/15; H04B 1/3888

FIG. 8 is a top view of the collapsible cell phone holder for a chair arm wherein the cell phone holder is extended.

See application file for complete search history.

FIG. 9 is a front view of the collapsible cell phone holder for a chair arm wherein the cell phone holder is extended.

(56) **References Cited**

U.S. PATENT DOCUMENTS

D409,426 S * 5/1999 Hampshire D6/567
D548,282 S * 8/2007 Chen D19/90

FIG. 10 is a rear view of the collapsible cell phone holder for a chair arm wherein the cell phone holder is extended.

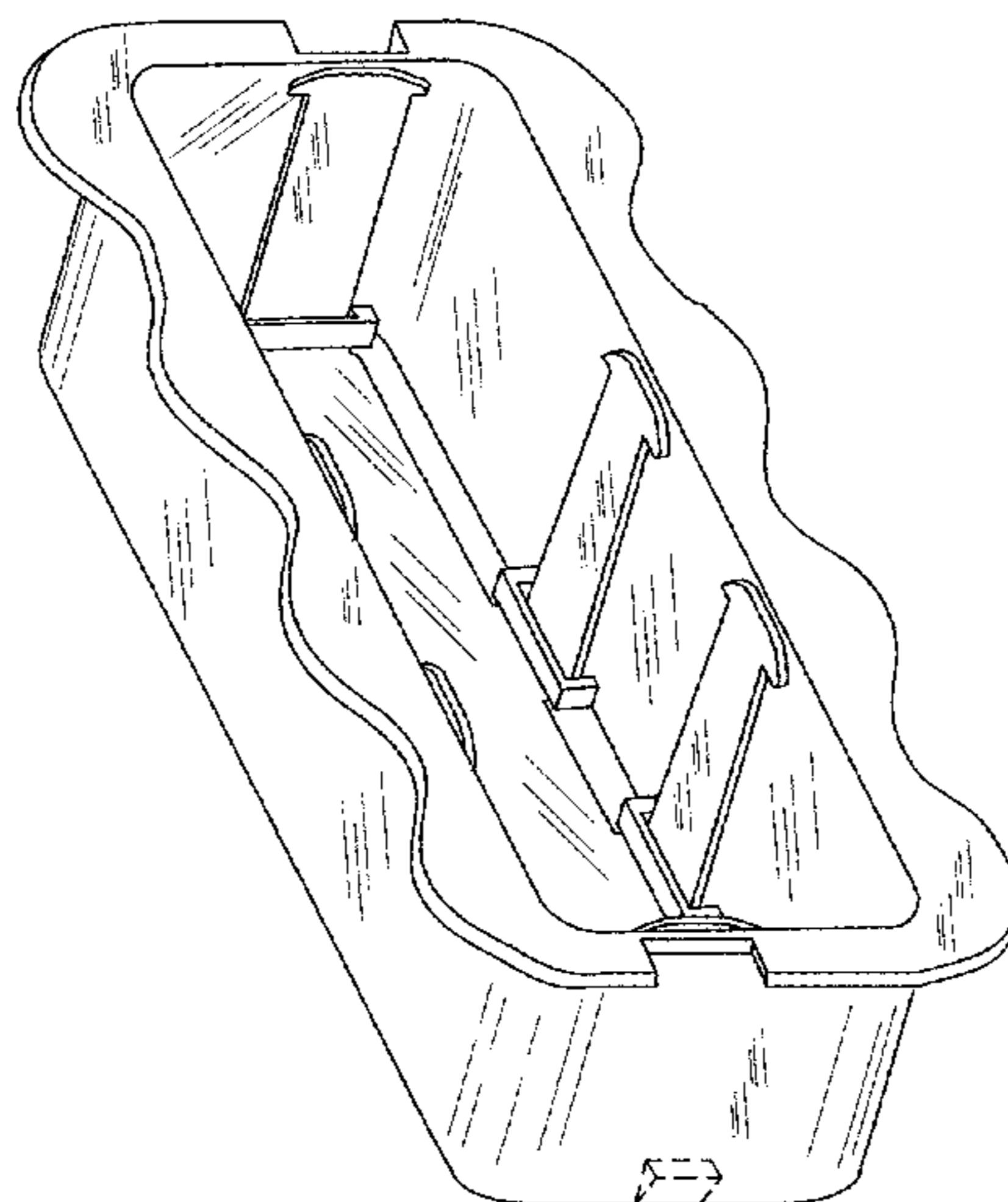
FIG. 11 is a left side view of the collapsible cell phone holder for a chair arm wherein the cell phone holder is extended.

FIG. 12 is a right side view of the collapsible cell phone holder for a chair arm wherein the cell phone holder is extended; and,

(Continued)

FIG. 13 is a bottom view of the collapsible cell phone holder for a chair arm wherein the cell phone holder is extended. The broken lines forming no part of the article.

1 Claim, 11 Drawing Sheets



(56)

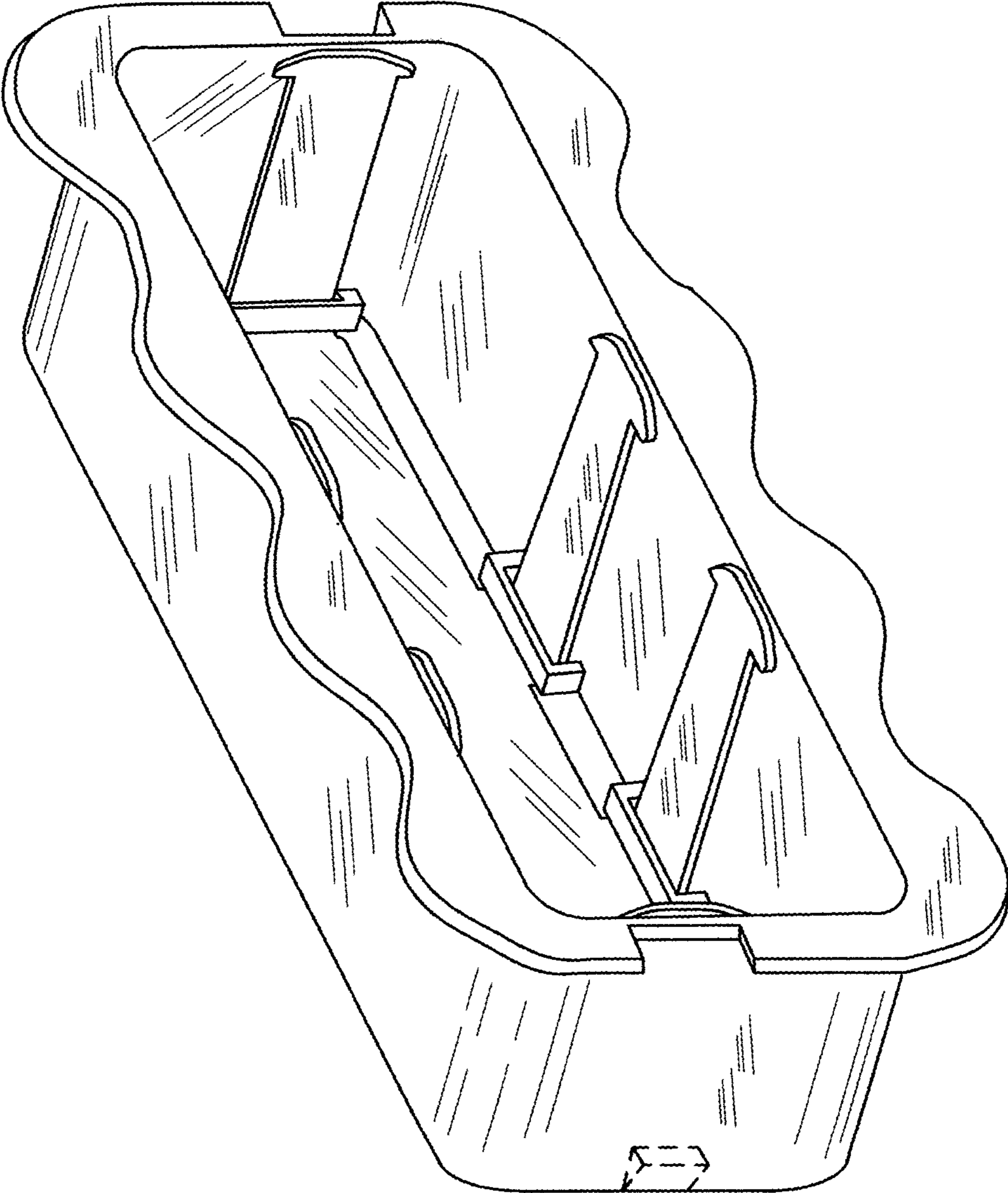
References Cited

U.S. PATENT DOCUMENTS

D596,172 S	*	7/2009	Ahlqvist	D14/251
D604,769 S	*	11/2009	Chen	D19/90
D618,675 S	*	6/2010	Thompson	D14/251
D655,702 S	*	3/2012	Saxton	D12/422
D696,657 S	*	12/2013	Cohen	D14/251
D734,610 S	*	7/2015	Christie	D3/304

* cited by examiner

FIG.1



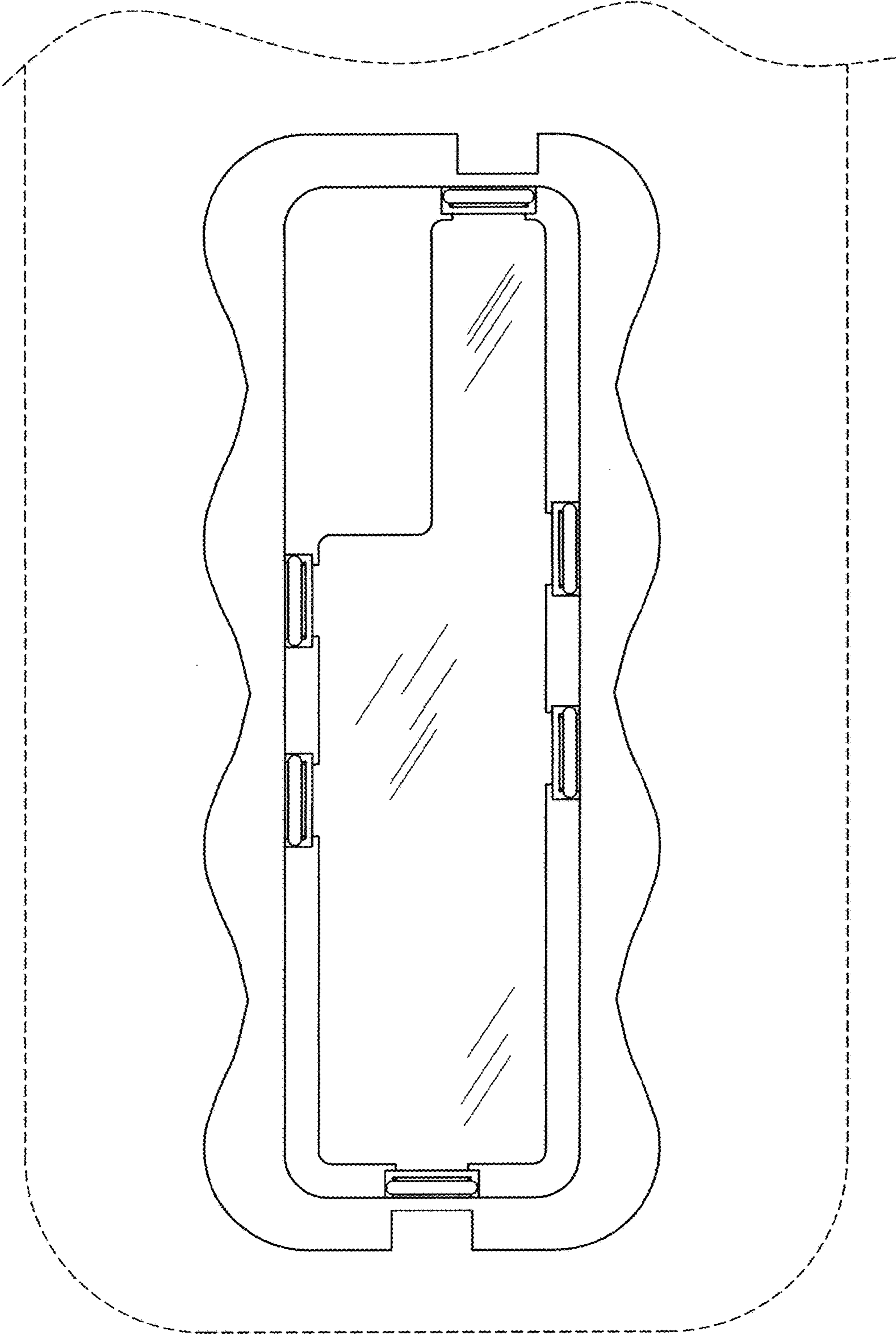


FIG.2

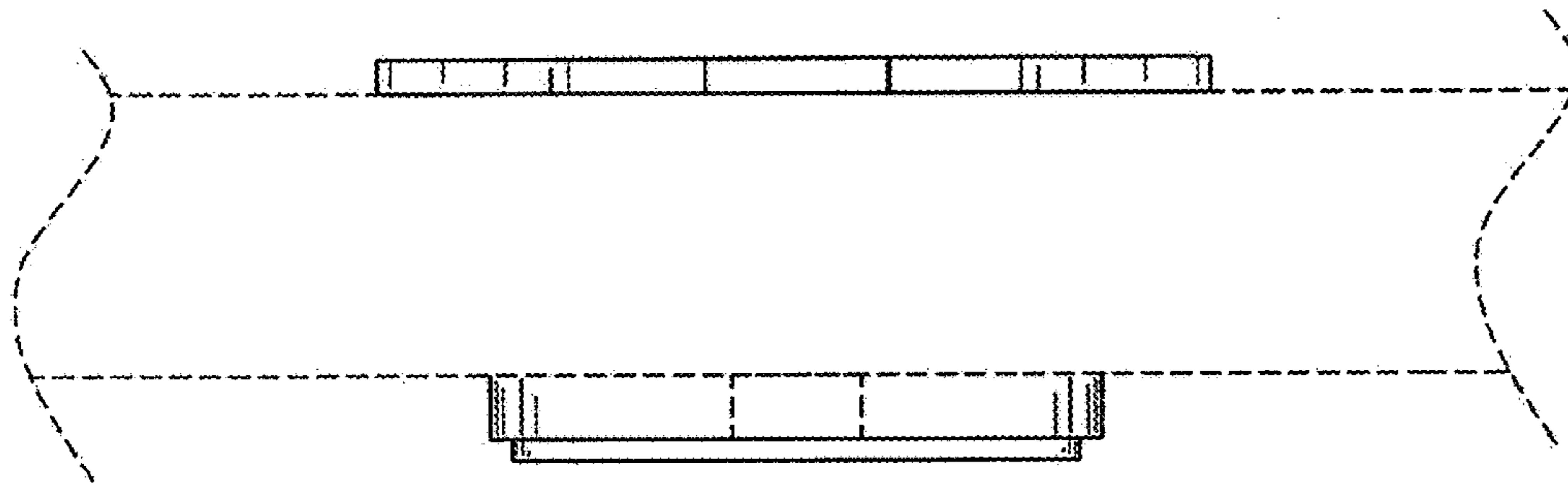


FIG.3

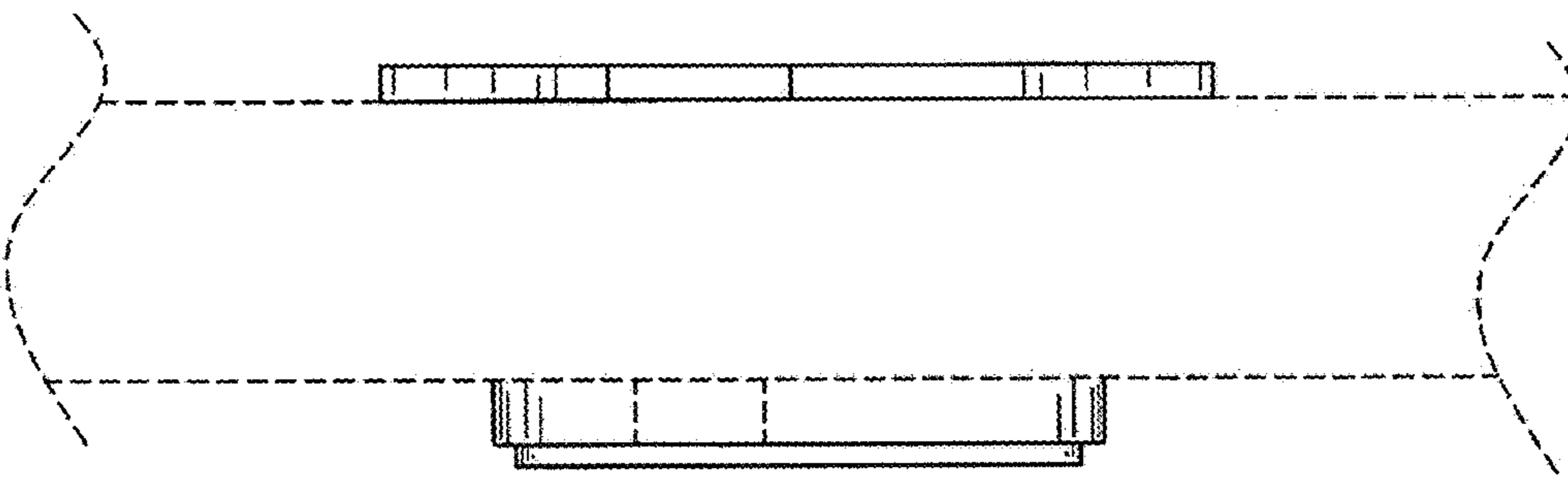


FIG.4

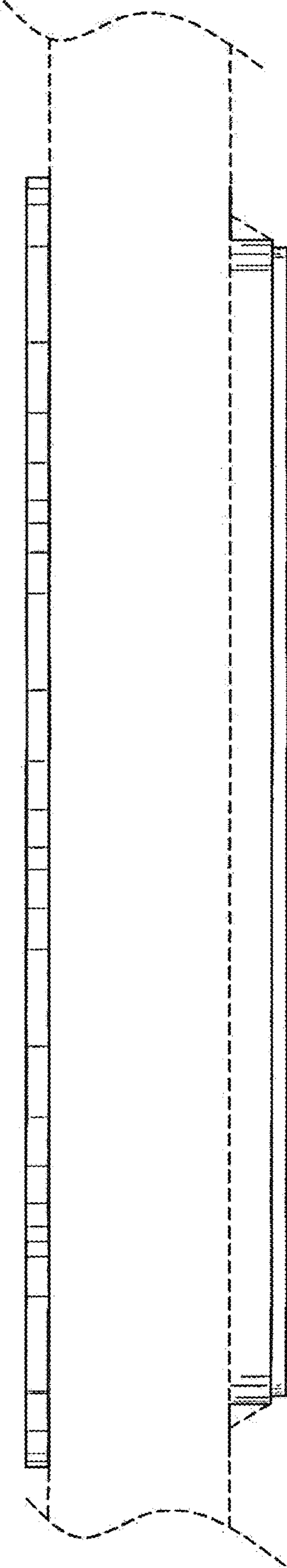


FIG.5

FIG.6

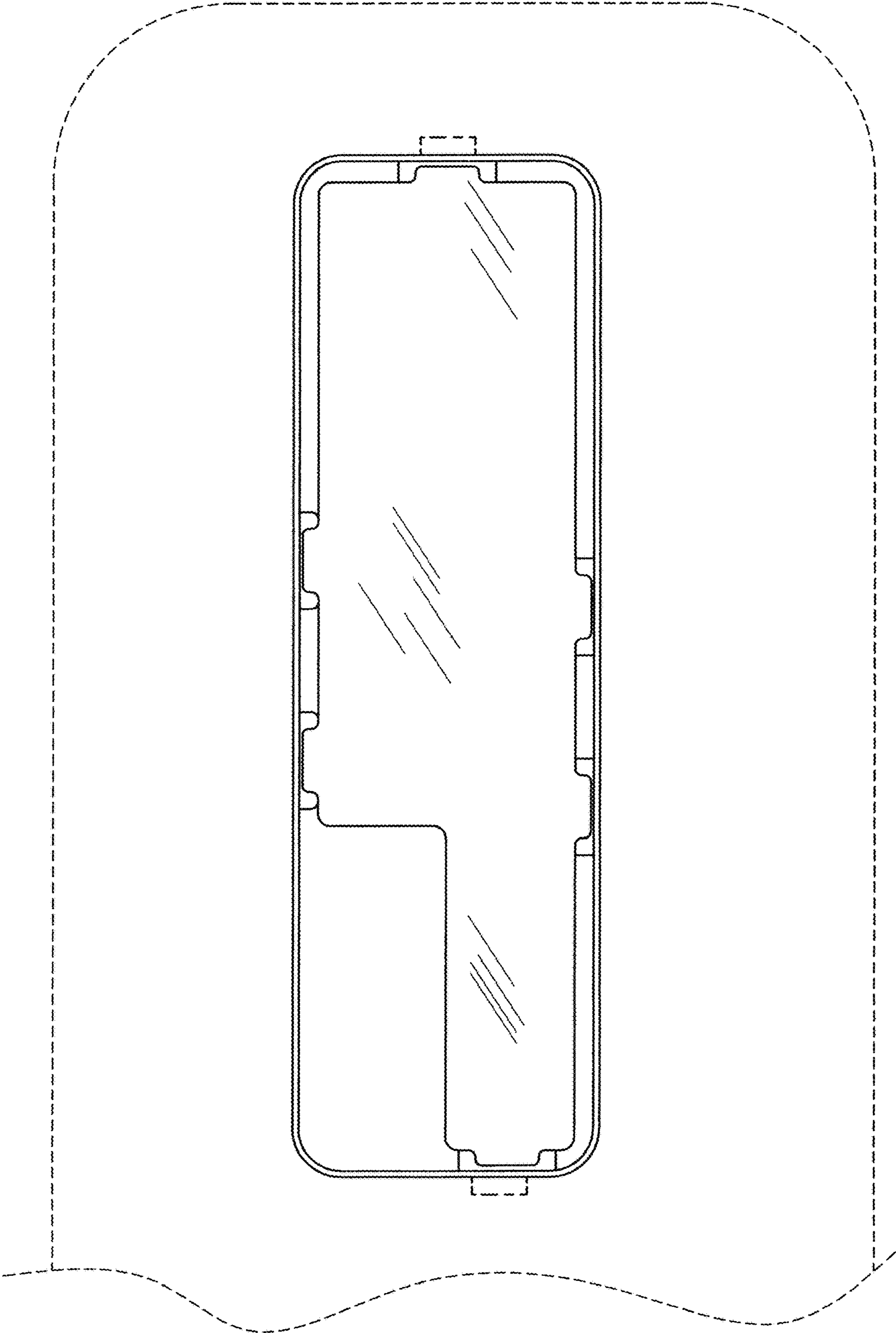
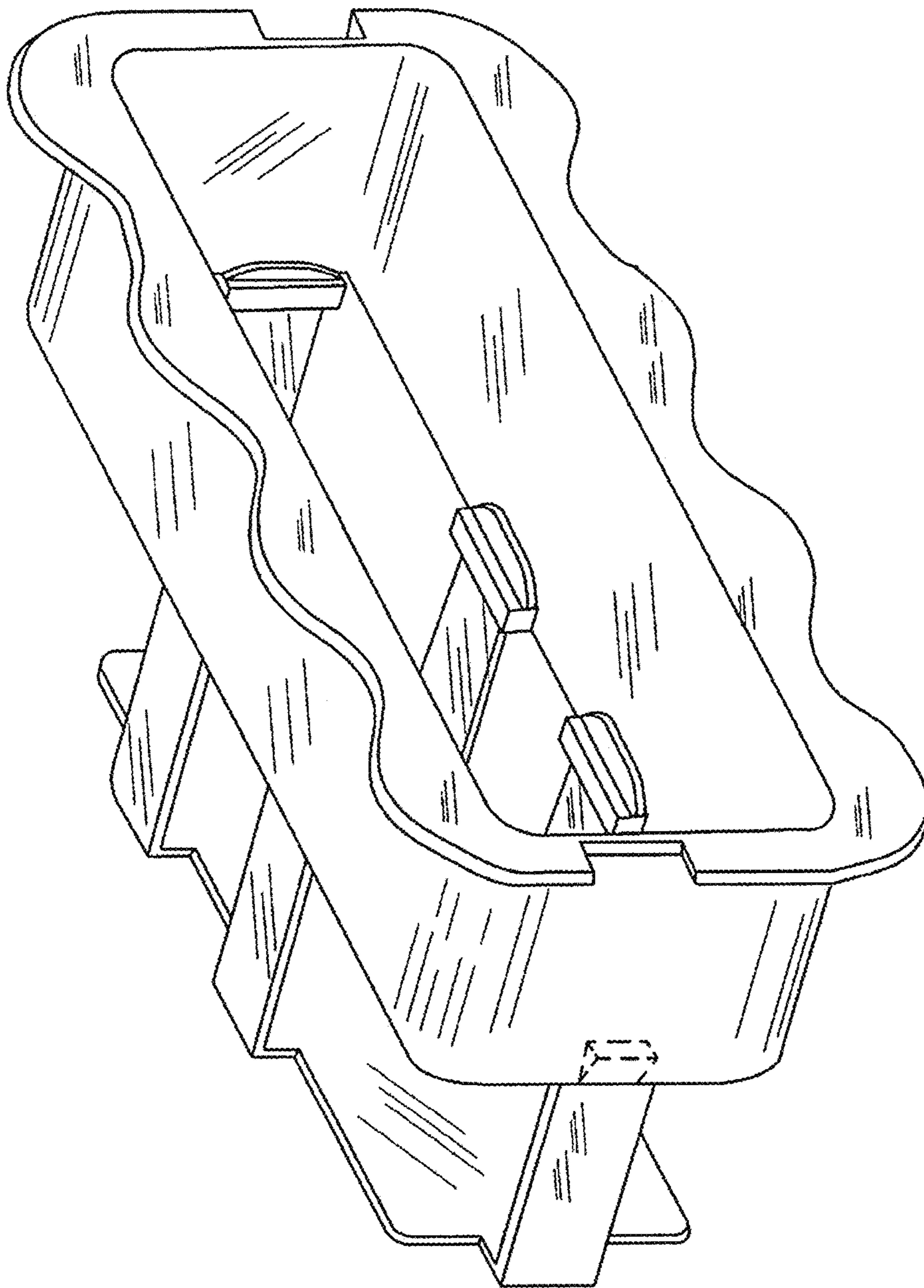


FIG. 7



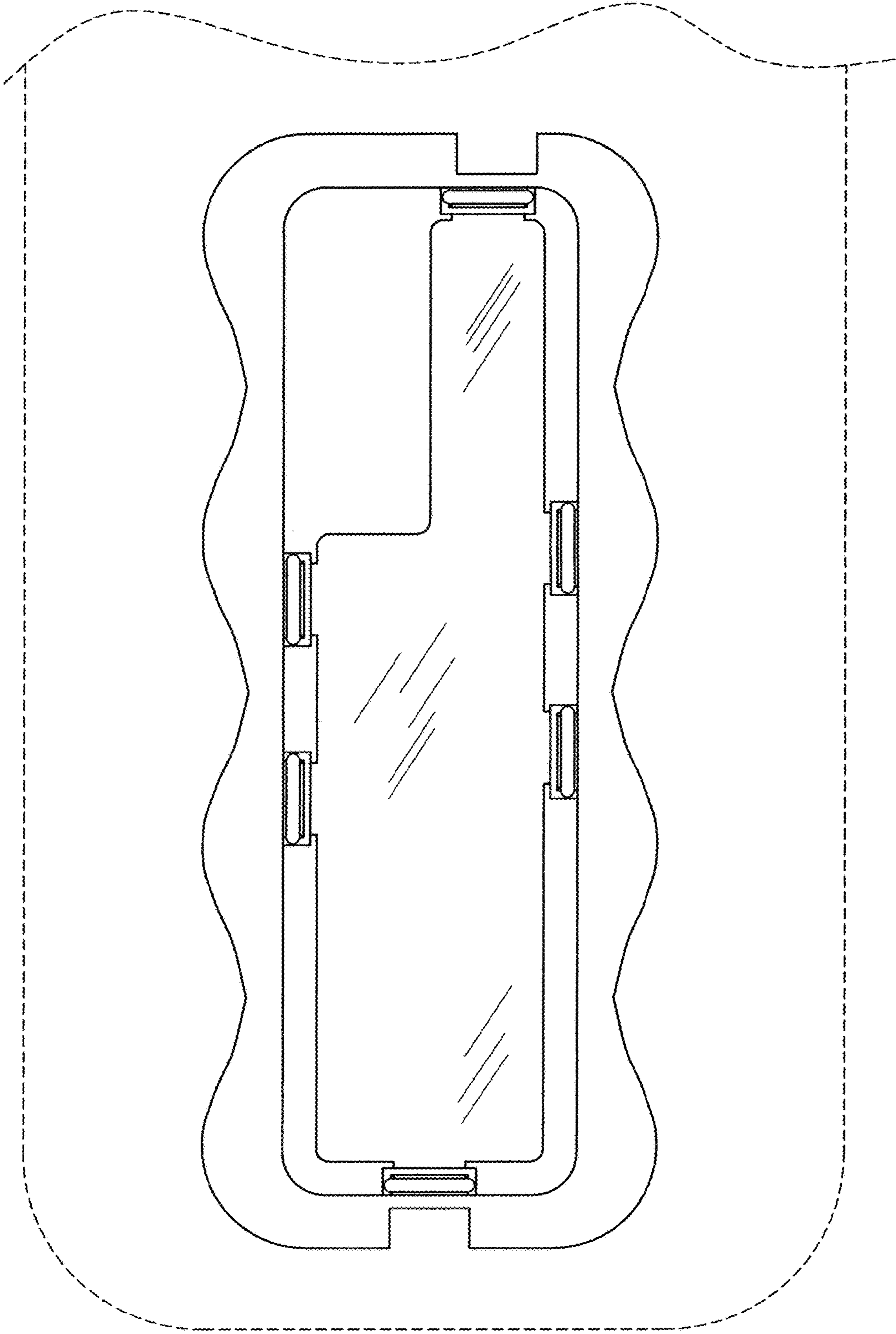


FIG. 8

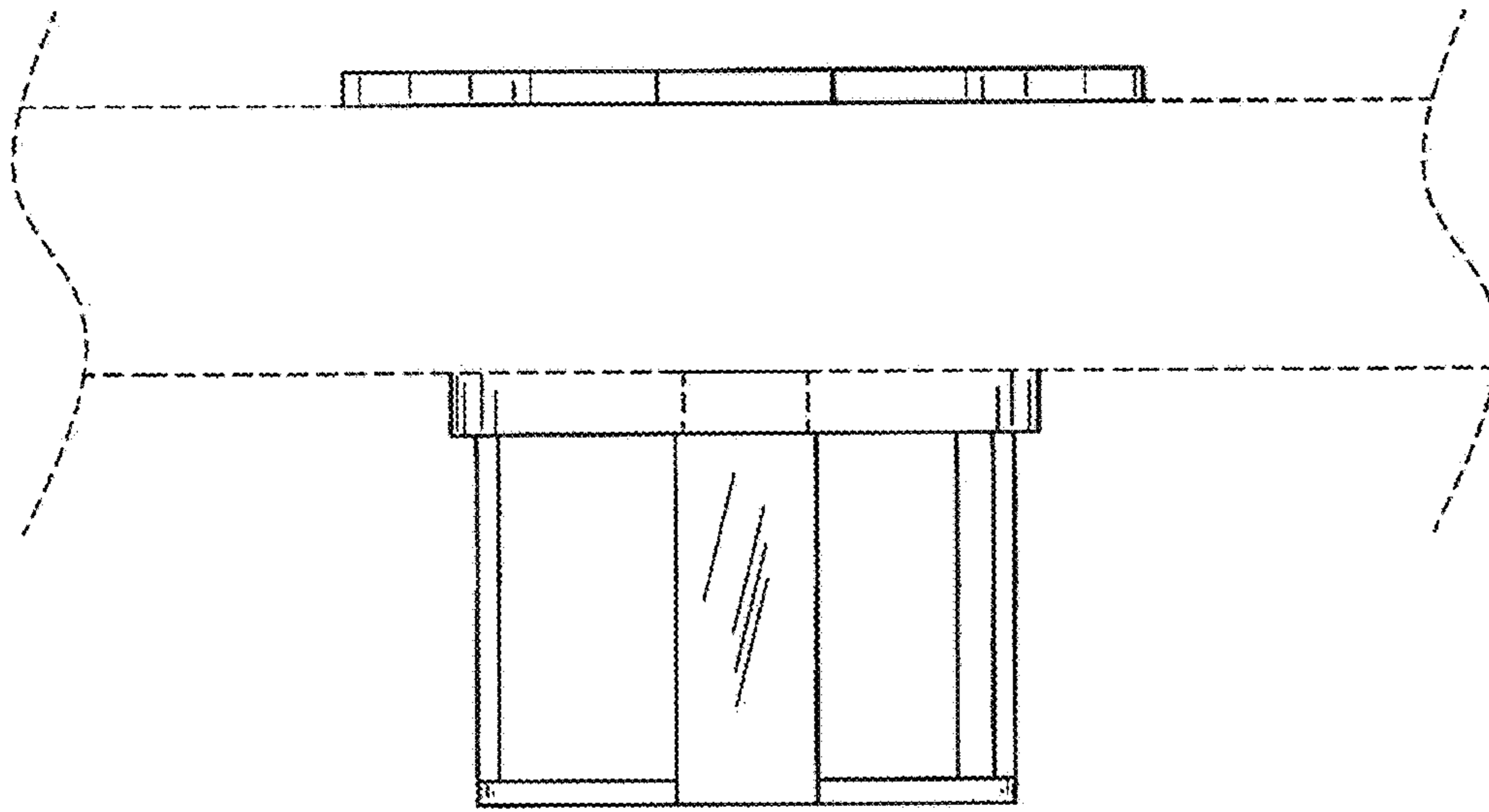
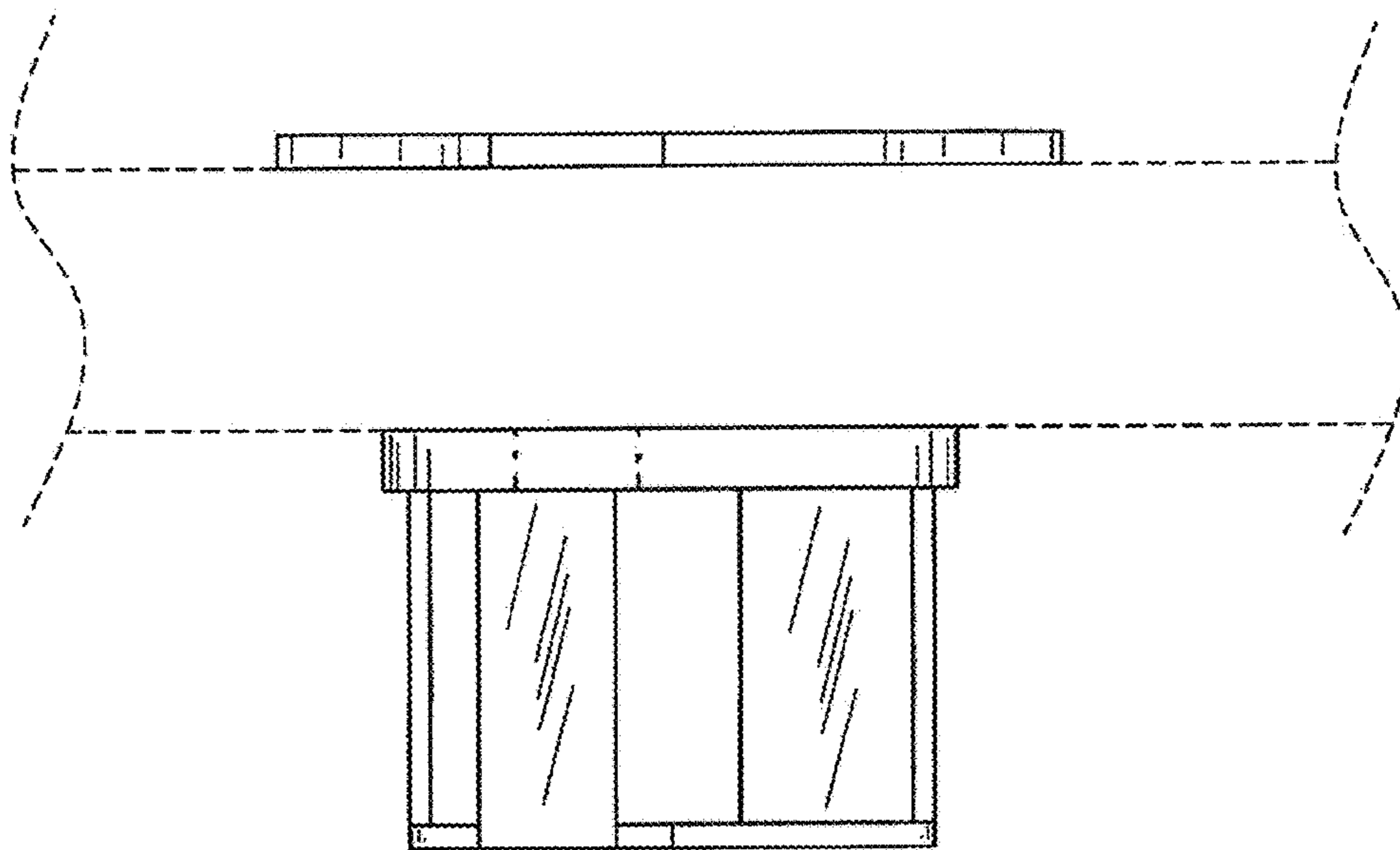


FIG.9

FIG.10



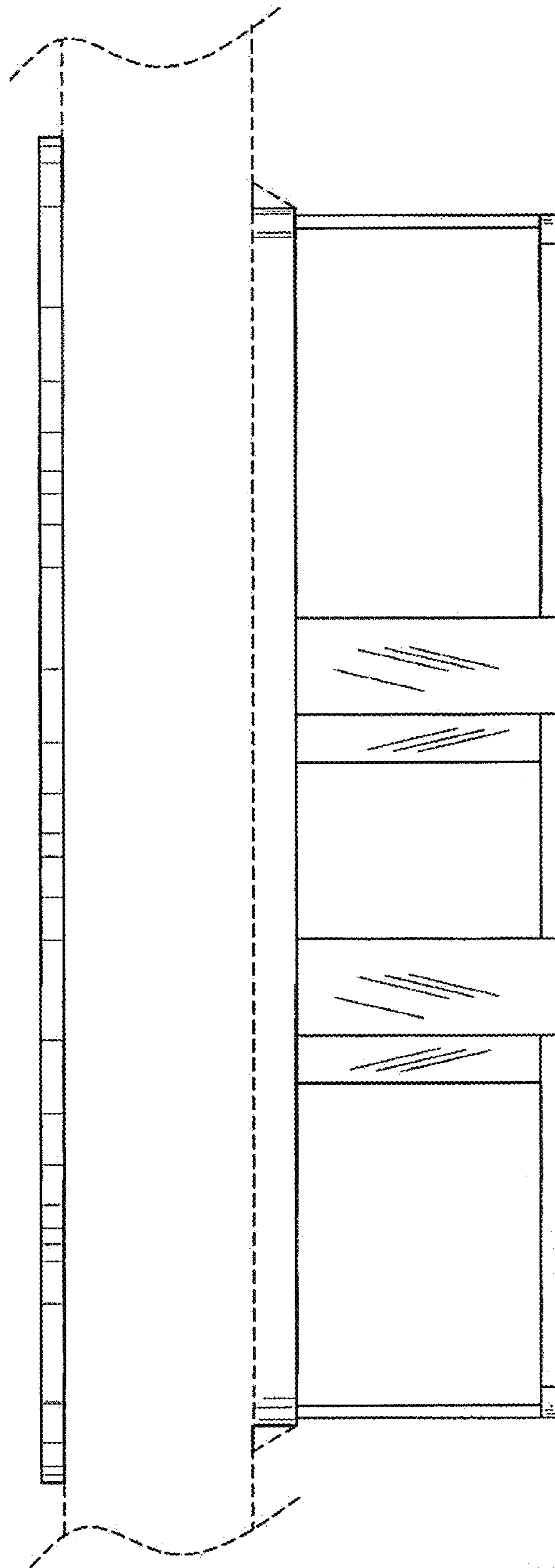


FIG.11

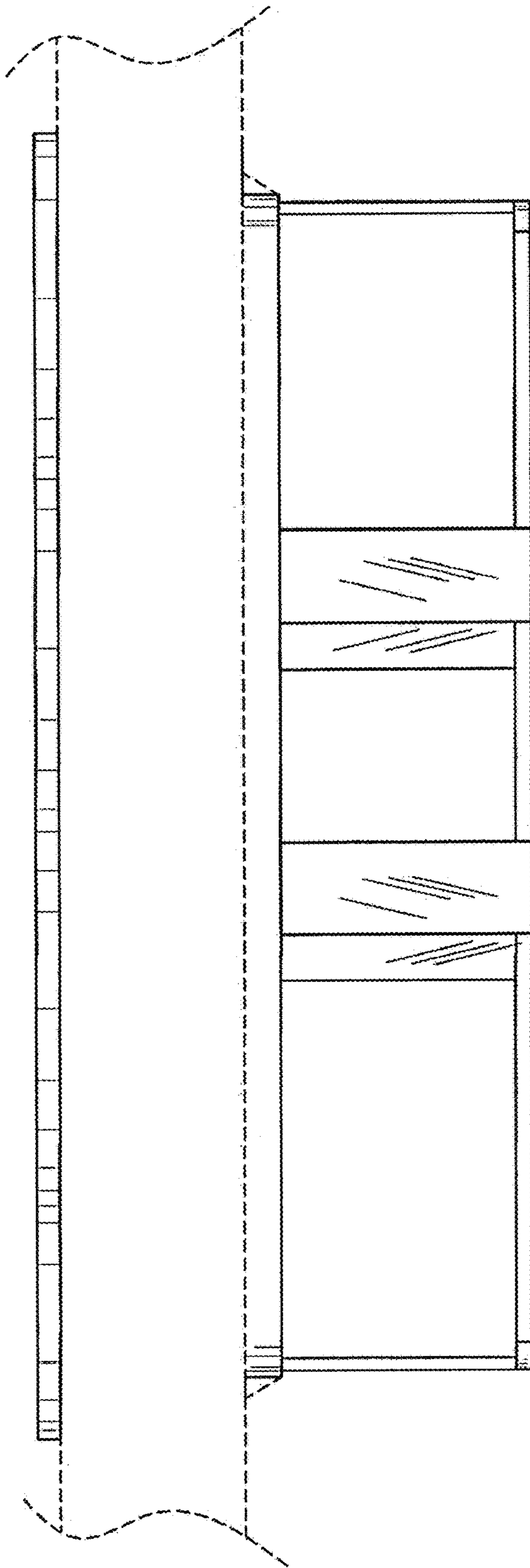


FIG.12

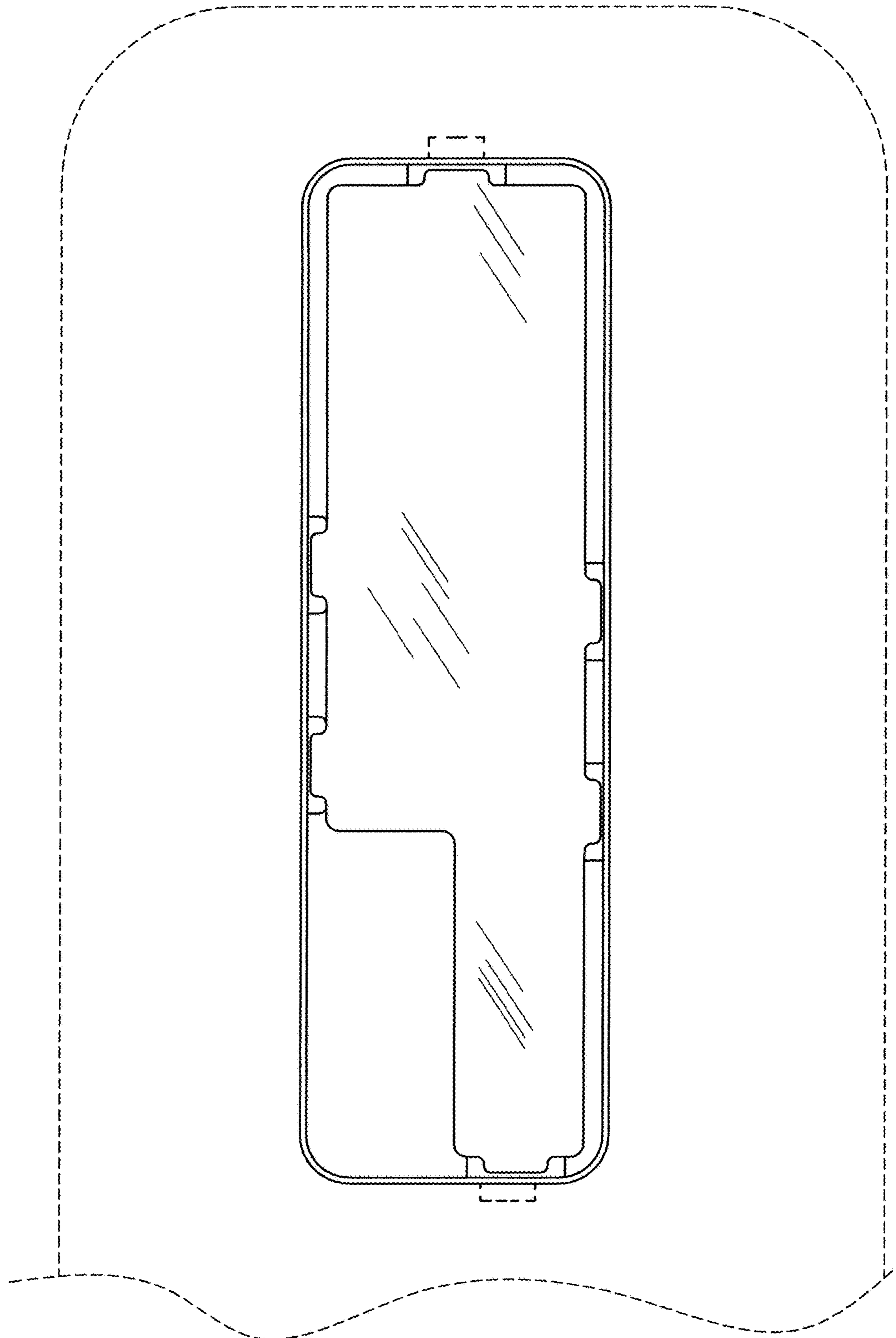


FIG.13