



US00D847785S

(12) **United States Design Patent** (10) **Patent No.:** **US D847,785 S**
Pietschmann et al. (45) **Date of Patent:** **** May 7, 2019**

(54) **SPEAKER**

- (71) Applicant: **ADAM HALL GMBH**, Neu-Anspach (DE)
- (72) Inventors: **Alexander Pietschmann**, Neu-Anspach (DE); **Francesco Spagnolo**, Neu-Anspach (DE)
- (73) Assignee: **ADAM HALL GMBH**, Neu-Anspach (DE)
- (**) Term: **15 Years**
- (21) Appl. No.: **29/623,318**
- (22) Filed: **Oct. 24, 2017**

Related U.S. Application Data

- (63) Continuation of application No. 29/536,697, filed on Aug. 19, 2015, now Pat. No. Des. 803,809.

Foreign Application Priority Data

- (30) Feb. 19, 2015 (EM) 002637124-0001
 - Feb. 19, 2015 (EM) 002637124-0002
 - Feb. 19, 2015 (EM) 002637124-0003
 - Feb. 19, 2015 (EM) 002637124-0004
 - Feb. 19, 2015 (EM) 002637124-0005
 - Feb. 19, 2015 (EM) 002637124-0006
 - Feb. 19, 2015 (EM) 002637124-0007
 - Feb. 19, 2015 (EM) 002637124-0008
- (Continued)

- (51) **LOC (11) Cl.** **14-03**
- (52) **U.S. Cl.**
USPC **D14/214**
- (58) **Field of Classification Search**
USPC D14/167, 168, 170-172, 188, 194-196,
D14/204, 207, 209.1, 210-216, 219, 221,
(Continued)

(56) **References Cited**

U.S. PATENT DOCUMENTS

D230,489 S * 2/1974 Everitt D14/214
 4,932,060 A * 6/1990 Schreiber H04R 5/02
 181/145

(Continued)

FOREIGN PATENT DOCUMENTS

DE 19524123 2/1997
 DE 20320156 4/2004

(Continued)

OTHER PUBLICATIONS

Notice of Allowance for U.S. Appl. No. 29/536,697, dated Jul. 17, 2017 9 pages.

Primary Examiner — Keli L Hill

(74) *Attorney, Agent, or Firm* — Sheridan Ross PC

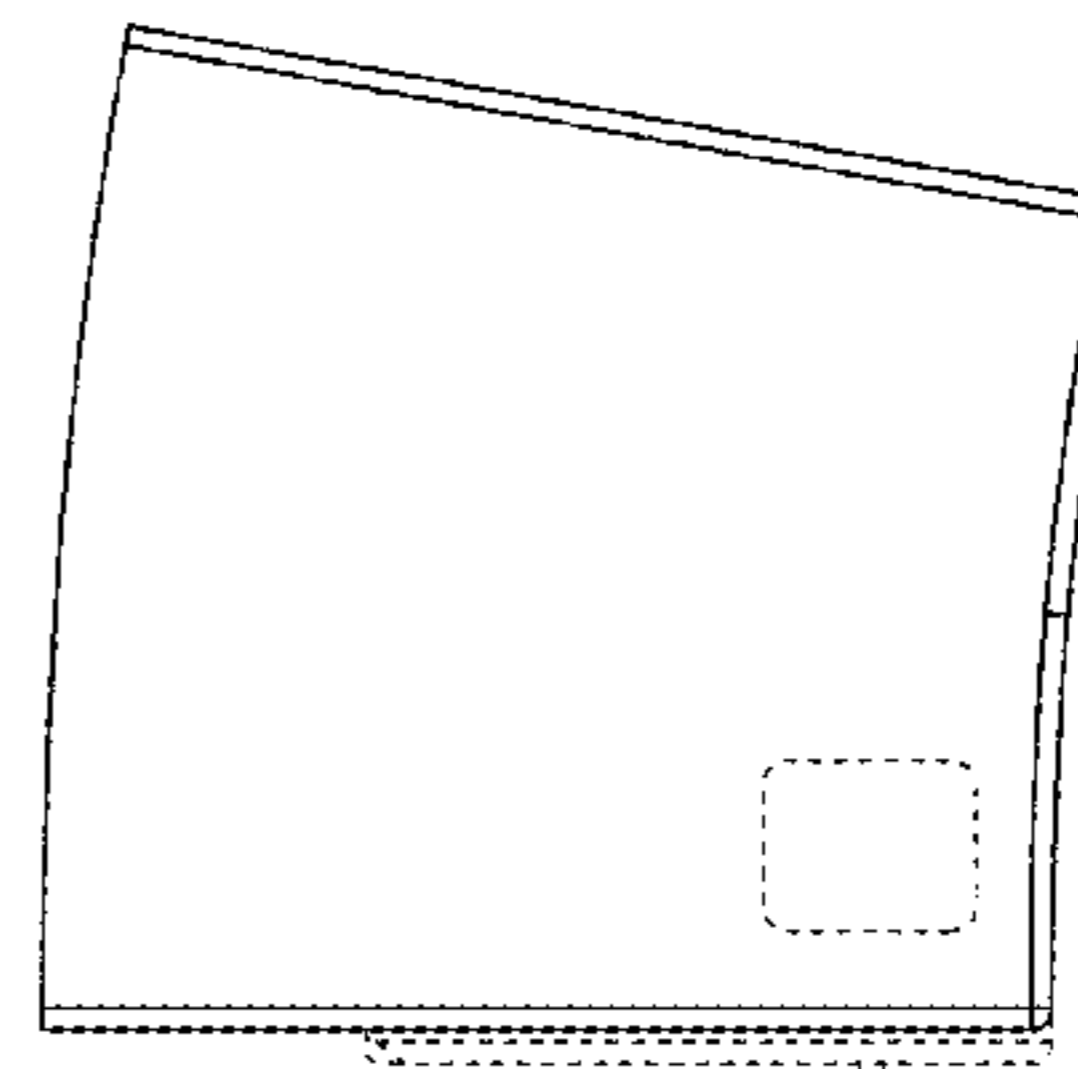
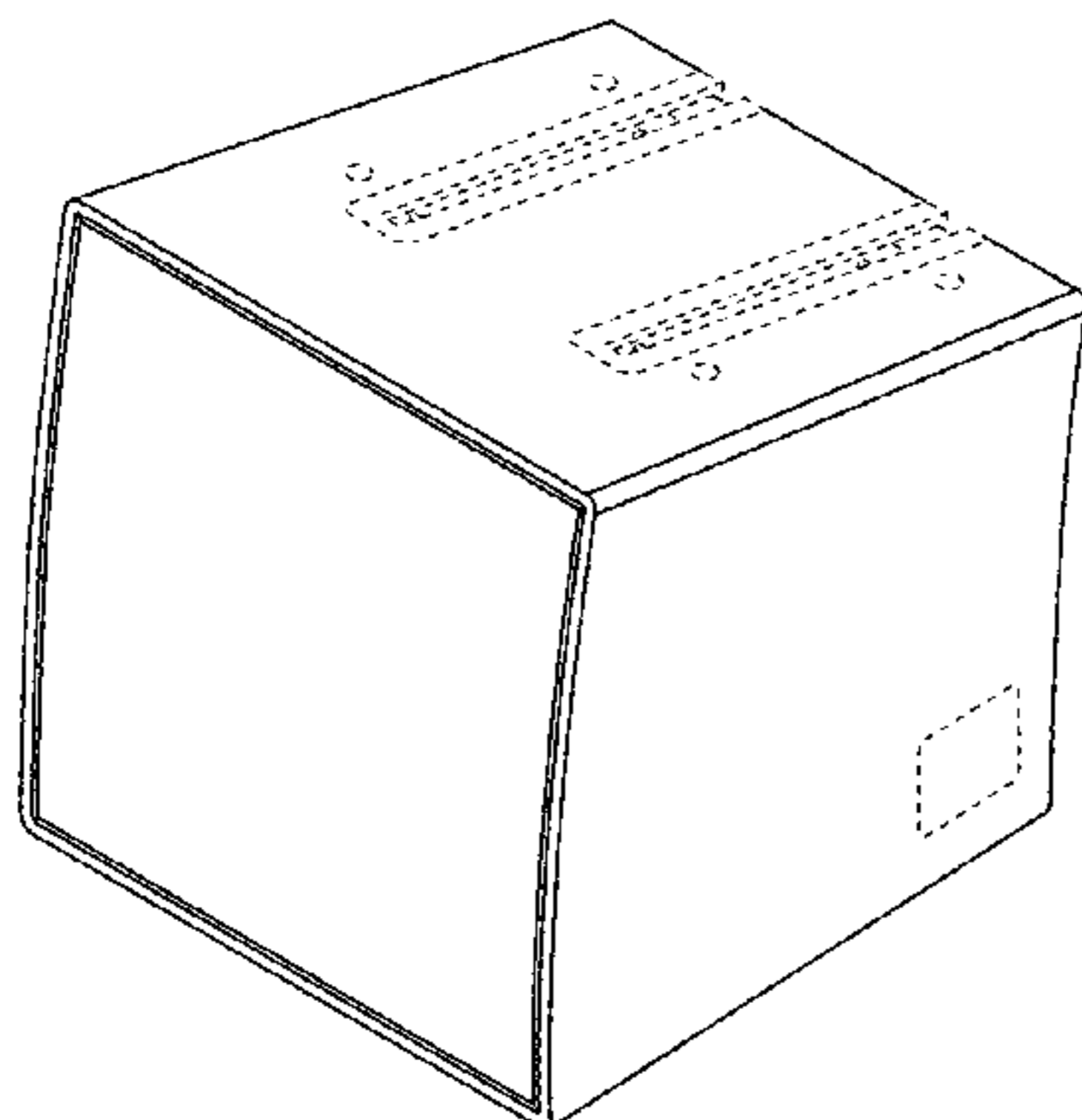
(57) **CLAIM**

The ornamental design for a speaker, as shown and described.

DESCRIPTION

FIG. 1 is a front perspective view of the speaker showing the new design;
 FIG. 2 is a right perspective view of a speaker thereof, the left perspective view being a mirror image of the right perspective view;
 FIG. 3 is a top plan view thereof;
 FIG. 4 is a front elevation view thereof; and,
 FIG. 5 is a right elevation view thereof, the left elevation view being a mirror image of the right elevation view.
 The broken lines shown are included for the purpose of illustrating portions of the speaker that form no part of the claim.

1 Claim, 4 Drawing Sheets



(30) Foreign Application Priority Data

Feb. 19, 2015 (EM) 002637124-0009
 Feb. 19, 2015 (EM) 002637124-0010
 Feb. 19, 2015 (EM) 002637124-0011
 Feb. 19, 2015 (EM) 002637124-0012
 Feb. 19, 2015 (EM) 002637124-0013

(58) Field of Classification Search

USPC D14/222, 224, 239, 496; 181/143, 144,
 181/147, 148, 150, 153, 157, 198, 199;
 381/300-303, 306, 332, 333, 336, 345,
 381/361-364, 386-388; 369/6-12
 CPC B60R 11/0217; G06F 1/1688; G10K 9/22;
 G10K 11/004; H03F 1/327; H04M 1/03;
 H04M 1/035; H04N 5/642; H04N
 21/4852; H04R 1/02; H04R 1/06; H04R
 1/021; H04R 1/025; H04R 1/026; H04R
 1/028; H04R 1/105; H04R 1/323; H04R
 1/403; H04R 1/2803; H04R 1/2834;
 H04R 5/02; H04R 7/20; H04R 9/06;
 H04R 9/025; H04R 2201/021; H04R
 2400/00; H04R 2400/07; H04R 2499/11;
 H04R 2499/13; H04R 2499/15; H04S
 3/00; H04S 7/30

See application file for complete search history.

(56) References Cited

U.S. PATENT DOCUMENTS

D392,976 S 3/1998 Fenner et al.
 5,734,728 A 3/1998 Meissner
 D401,583 S * 11/1998 Shin D14/214
 5,996,728 A 12/1999 Stark
 D439,237 S 3/2001 Felix et al.
 D483,026 S 12/2003 Koskinen
 D525,615 S 7/2006 Tanaka et al.
 D531,986 S * 11/2006 Azumi D14/214
 7,261,180 B1 8/2007 Faranda et al.
 D568,293 S 5/2008 Sawhney et al.
 D568,294 S 5/2008 Sawhney et al.
 7,516,932 B2 4/2009 Engebretson et al.
 D591,724 S 5/2009 Davies et al.
 D609,216 S 2/2010 Davies et al.
 D613,268 S 4/2010 Chen
 D629,827 S 12/2010 Morenstein et al.
 D637,580 S 5/2011 Aranda, Jr. et al.
 D638,400 S 5/2011 Hawkins et al.

D642,555 S 8/2011 Hawkins et al.
 D654,474 S 2/2012 Hawkins et al.
 D655,305 S * 3/2012 Koo D14/496
 D670,266 S 11/2012 Swendseid
 D671,912 S * 12/2012 Warden D14/204
 D674,766 S 1/2013 Desrosiers
 D675,188 S 1/2013 Hawkins et al.
 D676,827 S 2/2013 Desrosiers
 D684,948 S * 6/2013 Burlingame D14/204
 D690,280 S 9/2013 Schul
 D692,864 S 11/2013 Givre et al.
 D695,269 S * 12/2013 Carpenter D14/209.1
 D701,853 S 4/2014 Wilson
 D705,191 S 5/2014 Boudreau et al.
 D705,754 S 5/2014 Boudreau et al.
 D712,878 S 9/2014 Azumi
 D716,764 S 11/2014 Jeon et al.
 D727,292 S 4/2015 Anthony et al.
 D727,874 S 4/2015 Christner
 D733,680 S 7/2015 Nugent
 D741,293 S * 10/2015 Baird D14/214
 9,154,863 B2 * 10/2015 Smith H04R 1/02
 D742,854 S * 11/2015 Warden D14/204
 D754,628 S 4/2016 Baird et al.
 D756,331 S * 5/2016 Kamlet D14/214
 D762,618 S 8/2016 Lawrence et al.
 D763,818 S 8/2016 Yang
 D764,438 S 8/2016 Pobeda
 D764,444 S 8/2016 Sulzer et al.
 D776,638 S 1/2017 Pietschmann et al.
 9,794,662 B1 * 10/2017 Lippitt H04R 1/026
 9,794,679 B2 * 10/2017 Wilker H04R 1/026
 D803,809 S 11/2017 Pietschmann et al.
 D817,307 S * 5/2018 Spillmann D14/214
 D827,609 S * 9/2018 Zingali D14/214
 D830,989 S * 10/2018 McManigal D14/204
 D832,236 S * 10/2018 Nugent D14/214
 2002/0121847 A1 9/2002 Christner
 2007/0000719 A1 * 1/2007 Bothe H04R 1/026
 181/150
 2009/0110228 A1 4/2009 Chien et al.
 2011/0305362 A1 12/2011 Mcghee et al.
 2014/0270324 A1 9/2014 Redmond et al.
 2015/0289050 A1 10/2015 Butler et al.
 2016/0127817 A1 5/2016 MacDonald
 2016/0192046 A1 6/2016 Pietschmann

FOREIGN PATENT DOCUMENTS

FR 2520573 7/1983
 WO WO 92/16081 9/1992

* cited by examiner

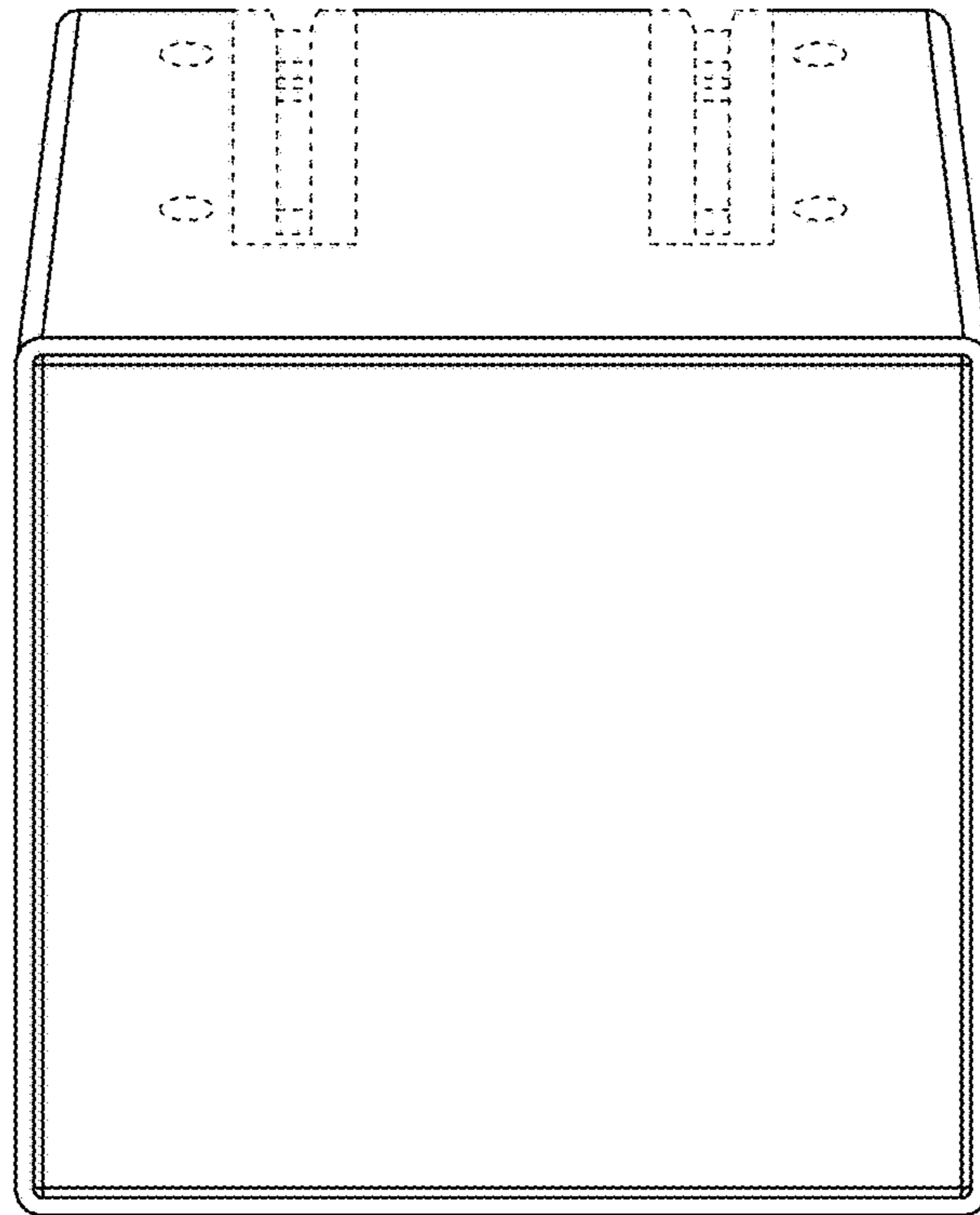


FIG.1

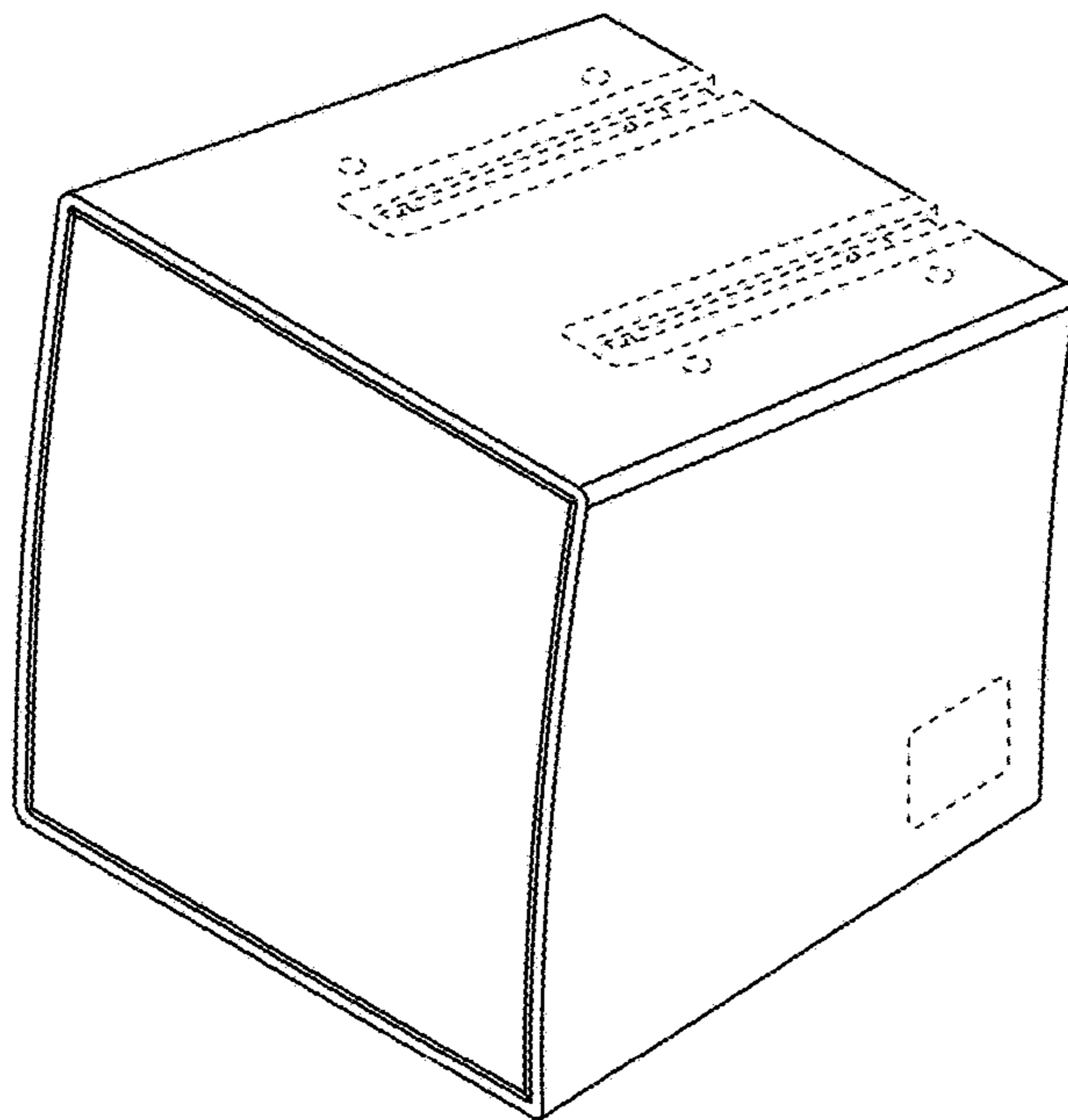


FIG.2

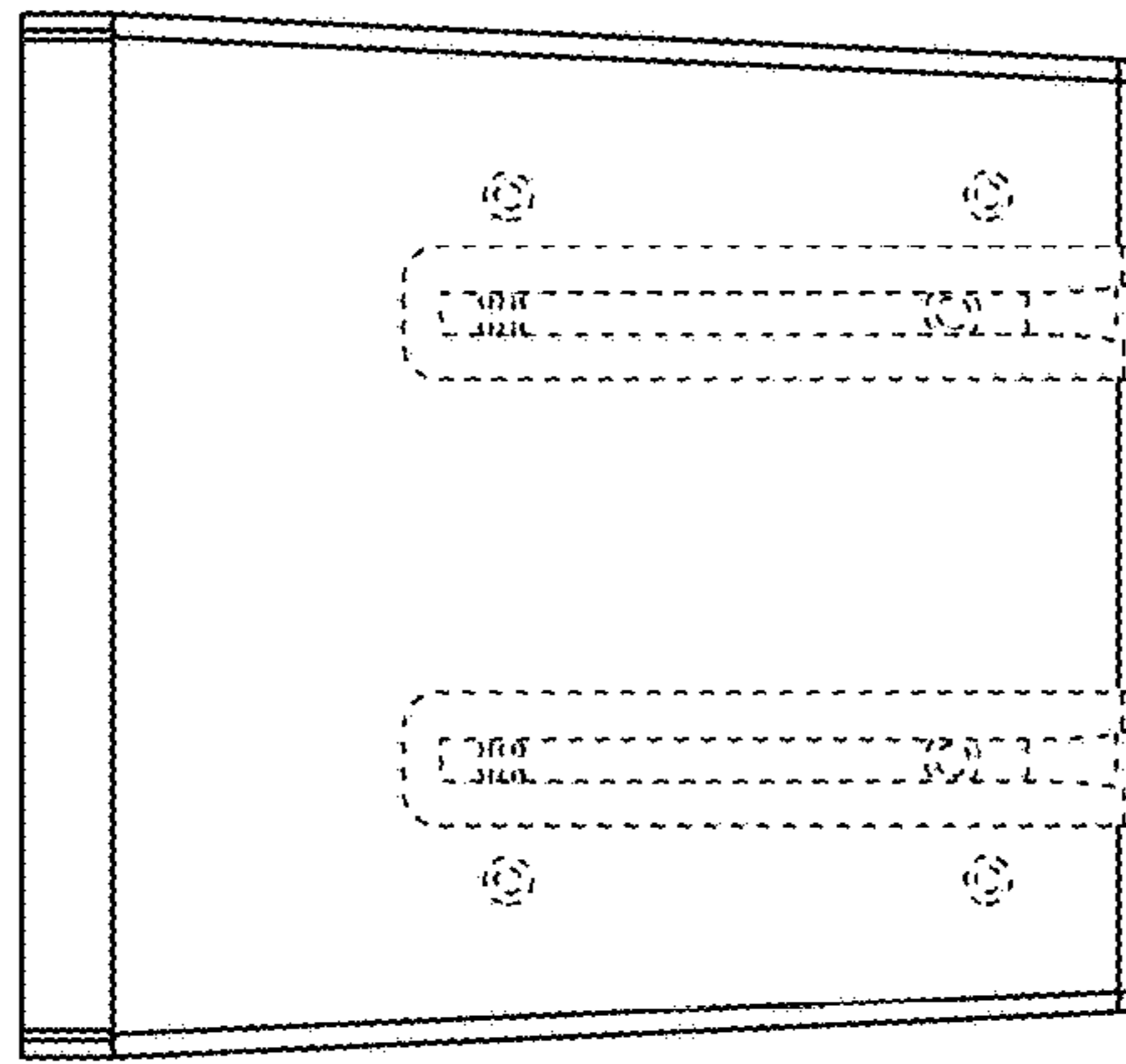


FIG.3

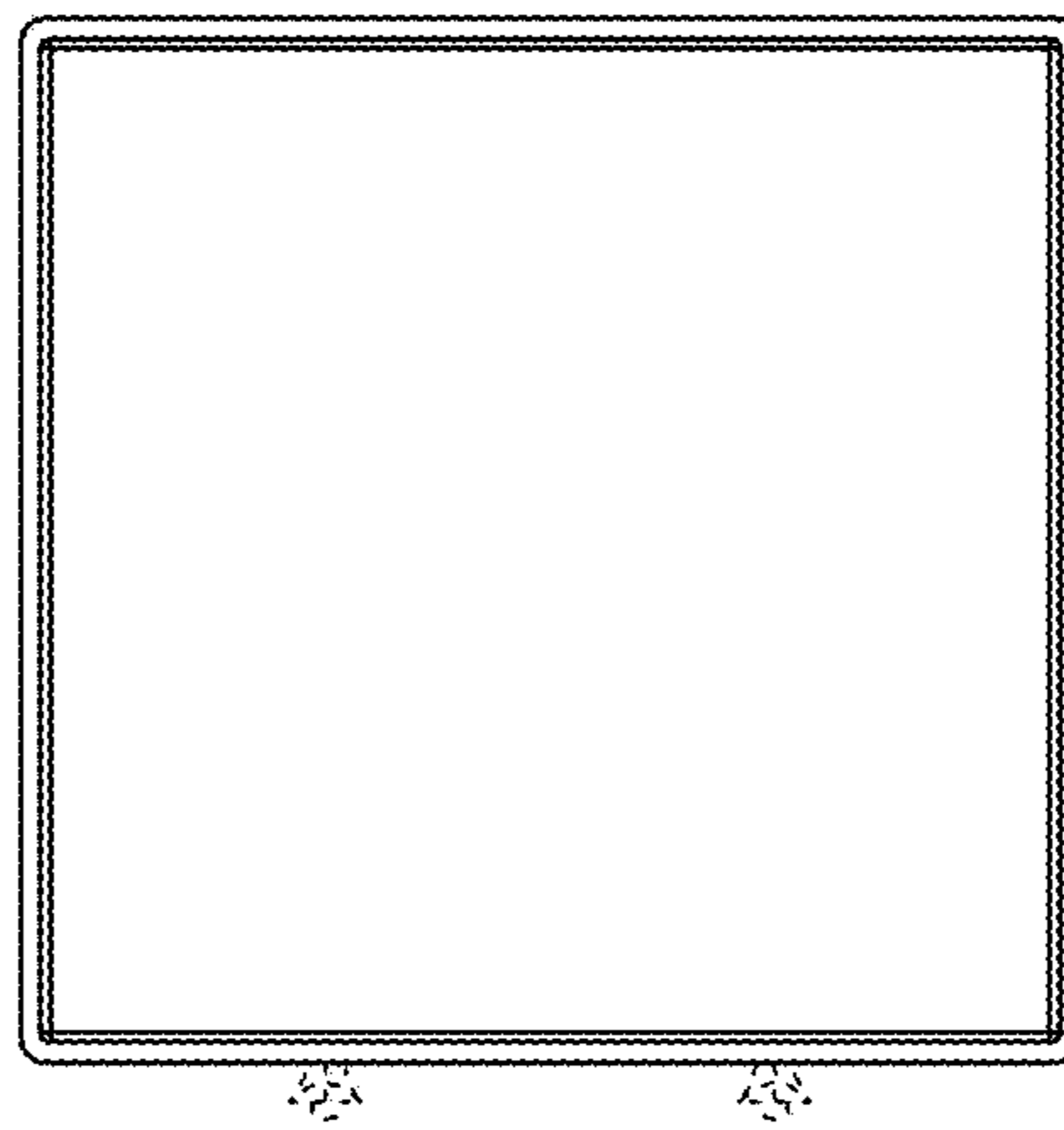


FIG.4

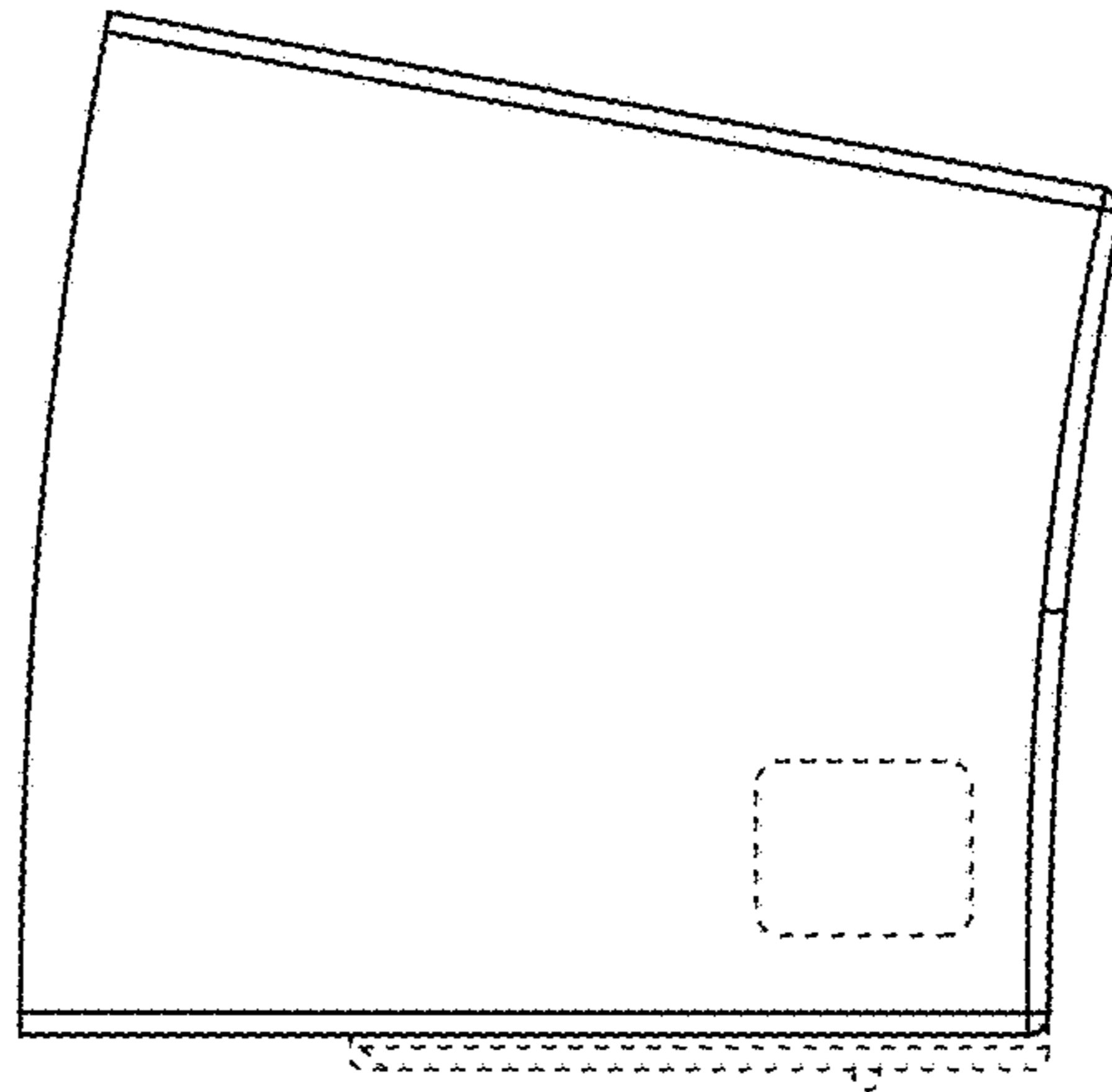


FIG.5