



US00D847783S

(12) **United States Design Patent**  
**Wernblad et al.**

(10) **Patent No.:** **US D847,783 S**

(45) **Date of Patent:** **\*\* May 7, 2019**

(54) **HEADSET INCLUDING AN EARHOOK**

(71) Applicant: **Sennheiser Communications A/S,**  
Ballerup (DK)

(72) Inventors: **Sivert Wernblad,** Ballerup (DK); **Jens Brandt Kofod,** Ballerup (DK)

(73) Assignee: **SENNHEISER COMMUNICATIONS A/S,** Ballerup (DK)

(\*\*) Term: **15 Years**

(21) Appl. No.: **29/613,213**

(22) Filed: **Aug. 8, 2017**

(30) **Foreign Application Priority Data**

Feb. 9, 2017 (EM) ..... 003745520-0001

Feb. 9, 2017 (EM) ..... 003745520-0002

(51) **LOC (11) Cl.** ..... **14-01**

(52) **U.S. Cl.**  
USPC ..... **D14/206**

(58) **Field of Classification Search**

USPC ..... D14/206, 205, 226, 225, 142, 249, 251;  
181/129, 130, 135; 379/430, 431, 428,  
379/396; 381/380, 381, 370, 374, 375,  
381/74, 328, 382, 322, 183, 395, 332,  
381/182; 455/90.3, 575.1, 569.1  
CPC ..... H04R 25/00; H04R 25/02; H04R 5/02;  
H04R 1/1091; H04R 1/1083; H04R 1/08;  
H04R 1/105; H04R 1/1016; H04R  
1/1066; H04R 19/04

See application file for complete search history.

(56) **References Cited**

**U.S. PATENT DOCUMENTS**

2,363,175 A \* 11/1944 Grossman ..... H04R 25/48  
181/132  
2,485,405 A \* 10/1949 Olney ..... H04R 1/342  
181/22

2,954,442 A \* 9/1960 Mickenberg ..... H04R 5/0335  
2/209  
3,621,156 A \* 11/1971 Kliewer ..... H04M 1/05  
379/430  
4,420,657 A \* 12/1983 Larkin ..... H04M 1/05  
181/129  
4,875,233 A \* 10/1989 Derhaag ..... H04M 1/05  
379/430  
5,033,094 A \* 7/1991 Hung ..... H04M 1/05  
381/379  
5,233,650 A \* 8/1993 Chan ..... H04M 1/05  
379/430  
D344,730 S \* 3/1994 Gattey ..... D14/206  
D366,486 S \* 1/1996 Runquist ..... D14/142

(Continued)

*Primary Examiner* — Paula Allen Greene

(74) *Attorney, Agent, or Firm* — Birch, Stewart, Kolasch & Birch, LLP

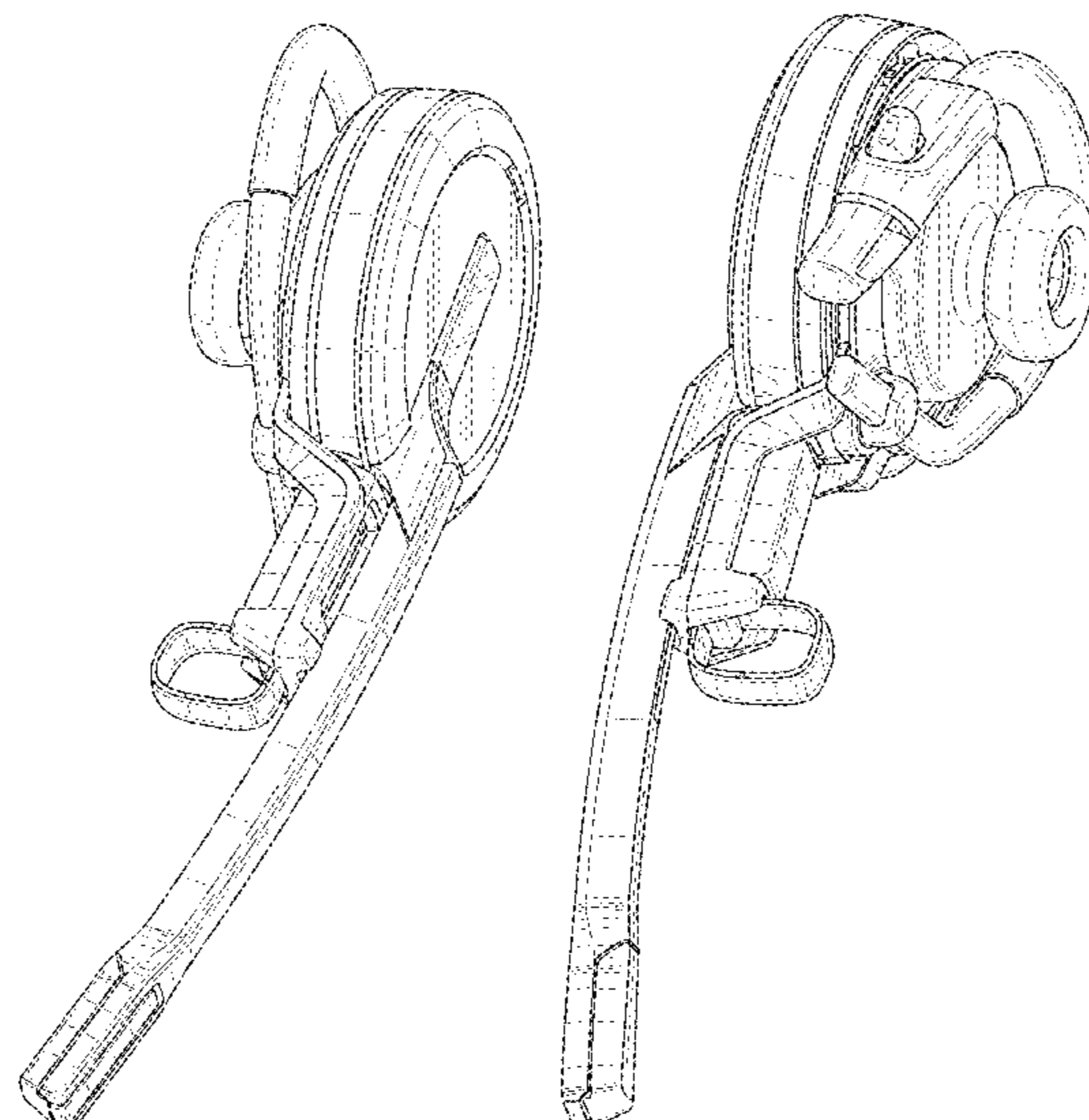
(57) **CLAIM**

The ornamental design for a headset including an earhook, as shown and described.

**DESCRIPTION**

FIG. 1 is a perspective view of the headset including an earhook;  
FIG. 2 is another perspective view of the headset including an earhook;  
FIG. 3 is a right side view of the headset including an earhook;  
FIG. 4 is a left side view of the headset including an earhook;  
FIG. 5 is a rear view of the headset including an earhook;  
FIG. 6 is a front view of the headset including an earhook;  
FIG. 7 is a top view of the headset including an earhook;  
and,  
FIG. 8 is bottom view of the headset including an earhook.

**1 Claim, 8 Drawing Sheets**



(56)

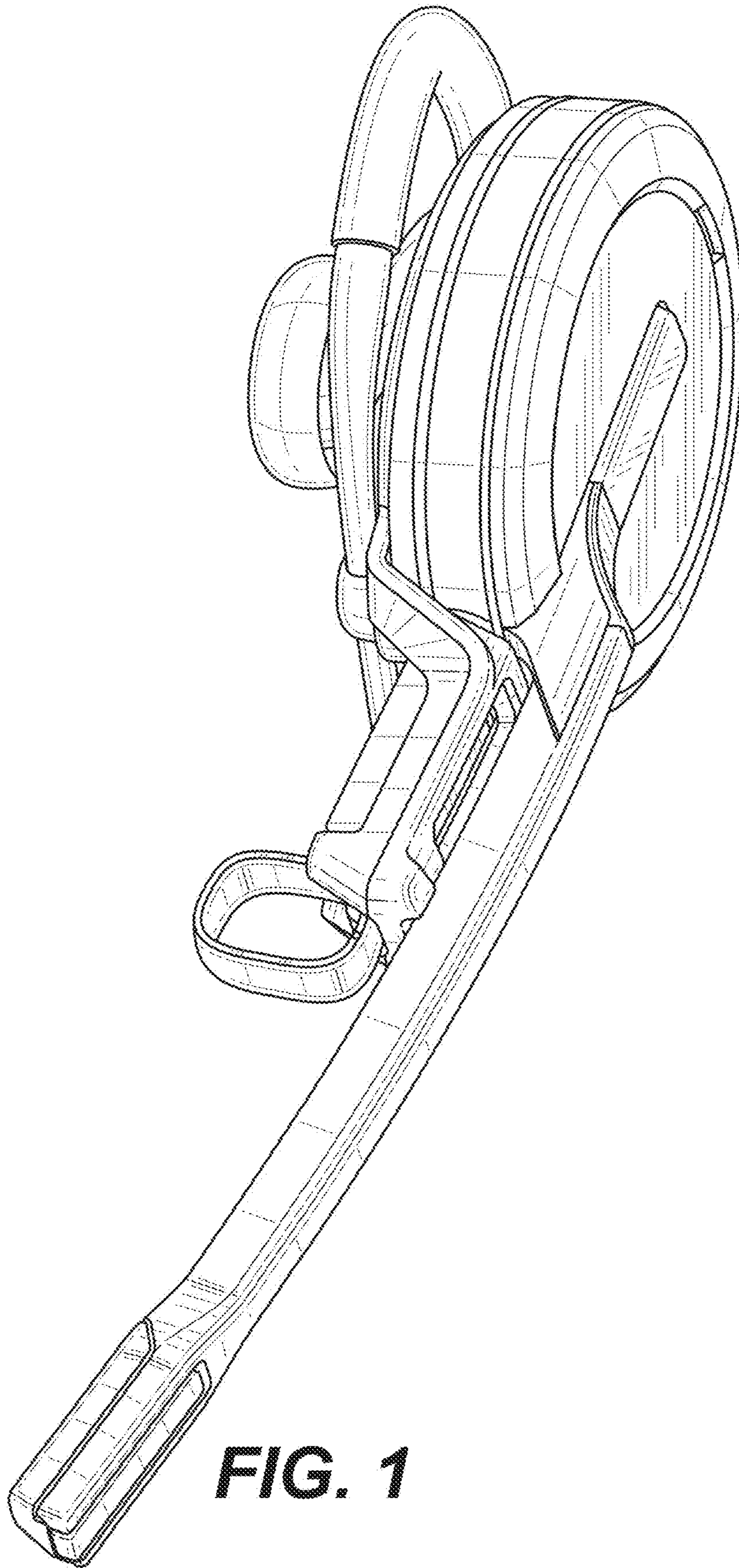
References Cited

U.S. PATENT DOCUMENTS

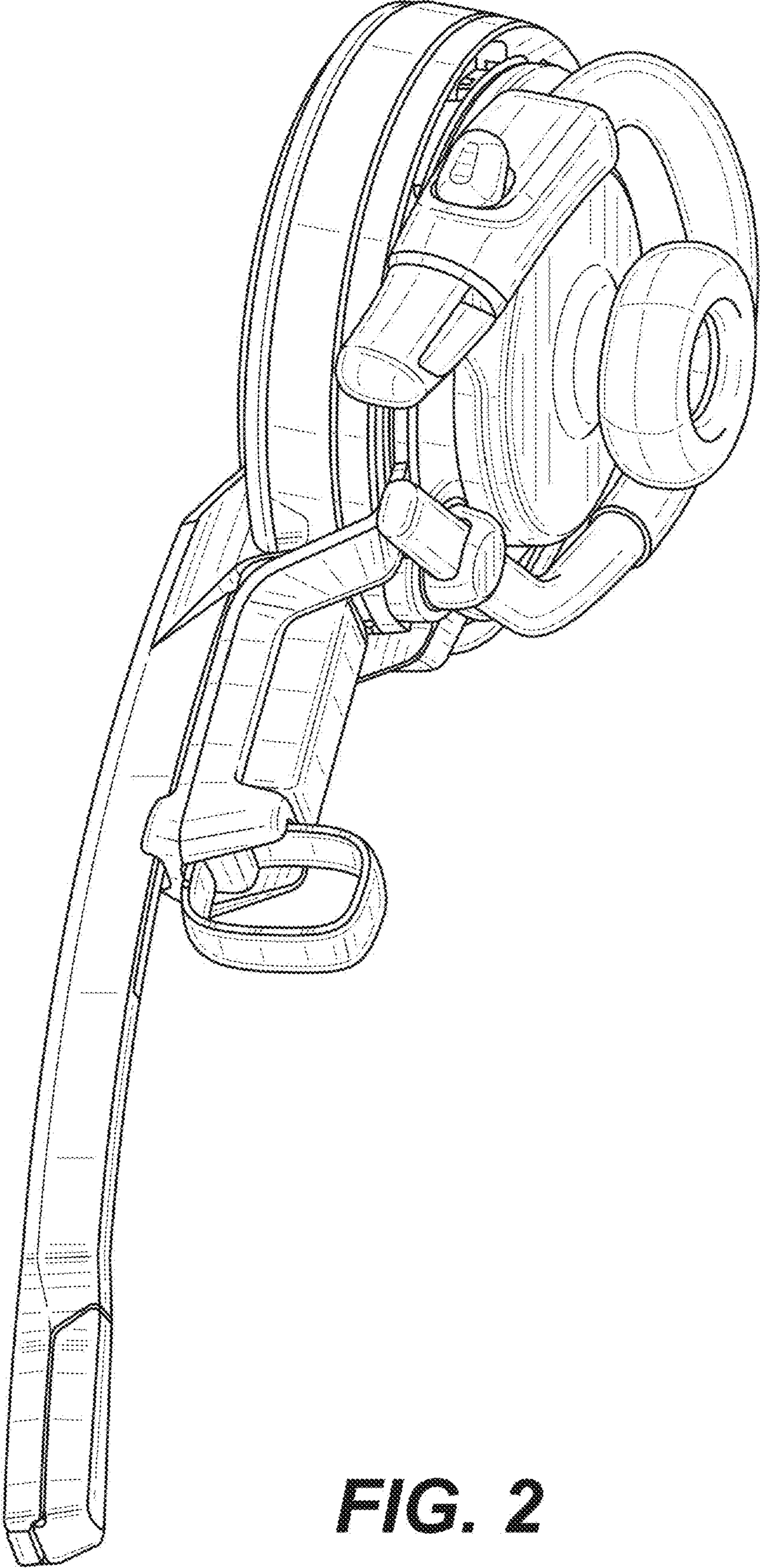
5,544,253 A \* 8/1996 Nagayoshi ..... H04R 1/1016  
379/430  
5,555,554 A \* 9/1996 Hofer ..... H04R 1/22  
381/371  
D375,313 S \* 11/1996 Jensen ..... D14/206  
5,740,263 A \* 4/1998 Liao ..... H04R 1/083  
381/361  
D394,437 S \* 5/1998 Landreth ..... D14/206  
5,757,944 A \* 5/1998 Jensen ..... H04R 1/08  
379/430  
5,787,166 A \* 7/1998 Ullman ..... H04M 1/05  
379/430  
D403,327 S \* 12/1998 Landreth ..... D14/223  
D404,724 S \* 1/1999 Brunner ..... D14/352  
D410,921 S \* 6/1999 Luchs ..... D14/142  
6,101,260 A \* 8/2000 Jensen ..... H04M 1/05  
379/430  
D436,348 S \* 1/2001 McGugan ..... D14/142  
D443,870 S \* 6/2001 Carpenter ..... D14/206  
D451,903 S \* 12/2001 Amae ..... D14/206  
D451,906 S \* 12/2001 Amae ..... D14/223  
D451,907 S \* 12/2001 Amae ..... D14/206  
D452,857 S \* 1/2002 Hong ..... D14/206  
6,356,635 B1 \* 3/2002 Lyman ..... H04M 1/05  
379/430  
D455,732 S \* 4/2002 Skulley ..... D14/206  
D464,943 S \* 10/2002 Lai ..... D14/206  
D464,944 S \* 10/2002 Lee ..... D14/206  
D492,667 S \* 7/2004 Skulley ..... D14/223  
D515,074 S \* 2/2006 Jacobson ..... D14/225  
D517,528 S \* 3/2006 Skulley ..... D14/206  
7,013,018 B2 \* 3/2006 Bogeskov-Jensen ... H04M 1/05  
381/370  
D518,479 S \* 4/2006 Skulley ..... D14/225  
D524,795 S \* 7/2006 Cohen ..... D14/206  
7,106,877 B1 \* 9/2006 Linville ..... H04R 1/105  
381/370  
D531,165 S \* 10/2006 Rath ..... D14/206  
D535,980 S \* 1/2007 Bentley ..... D14/225  
D540,778 S \* 4/2007 Thompson ..... D14/206

7,209,177 B2 \* 4/2007 Lapalme ..... B21F 1/002  
348/375  
7,245,737 B2 \* 7/2007 Amae ..... H04R 1/1066  
381/374  
D549,216 S \* 8/2007 Viduya ..... D14/206  
7,391,863 B2 \* 6/2008 Viduya ..... H04M 1/05  
379/430  
D581,900 S \* 12/2008 Caddes ..... D14/206  
D628,189 S \* 11/2010 Rath ..... D14/206  
D638,000 S \* 5/2011 Hoggarth ..... D14/206  
D643,405 S \* 8/2011 Rath ..... D14/206  
8,061,473 B1 \* 11/2011 Kerr ..... A61F 11/008  
181/135  
D653,649 S \* 2/2012 Yang ..... D14/206  
8,369,557 B2 \* 2/2013 Kuhtz ..... H04R 1/1058  
381/370  
8,374,372 B2 \* 2/2013 Lee ..... H04R 1/1058  
381/370  
8,391,536 B2 \* 3/2013 Hashimoto ..... H04R 1/1016  
381/370  
D684,145 S \* 6/2013 Rath ..... D14/206  
8,538,056 B2 \* 9/2013 Ishibashi ..... H04R 25/652  
381/330  
D691,113 S \* 10/2013 Gougherty ..... D14/206  
8,565,467 B1 \* 10/2013 Tseng ..... H04R 1/1016  
181/129  
8,605,934 B2 \* 12/2013 Hagberg ..... H04R 1/1066  
379/430  
8,737,667 B2 \* 5/2014 Oh ..... A61B 5/6898  
379/430  
D716,259 S \* 10/2014 Awiszus ..... D14/206  
D717,767 S \* 11/2014 Mistry ..... D14/206  
D732,508 S \* 6/2015 Funayama ..... D14/223  
D735,697 S \* 8/2015 Petersen ..... D14/223  
D741,842 S \* 10/2015 Levine ..... D14/226  
D760,690 S \* 7/2016 Gecawicz ..... D14/206  
9,549,236 B2 \* 1/2017 Hamilton ..... H04R 1/02  
9,716,932 B2 \* 7/2017 Miller ..... H04R 1/028  
D822,638 S \* 7/2018 Liu ..... D14/206  
2001/0036291 A1 \* 11/2001 Pallai ..... H04R 1/083  
381/382  
2005/0286717 A1 \* 12/2005 Viduya ..... H04M 1/05  
379/430

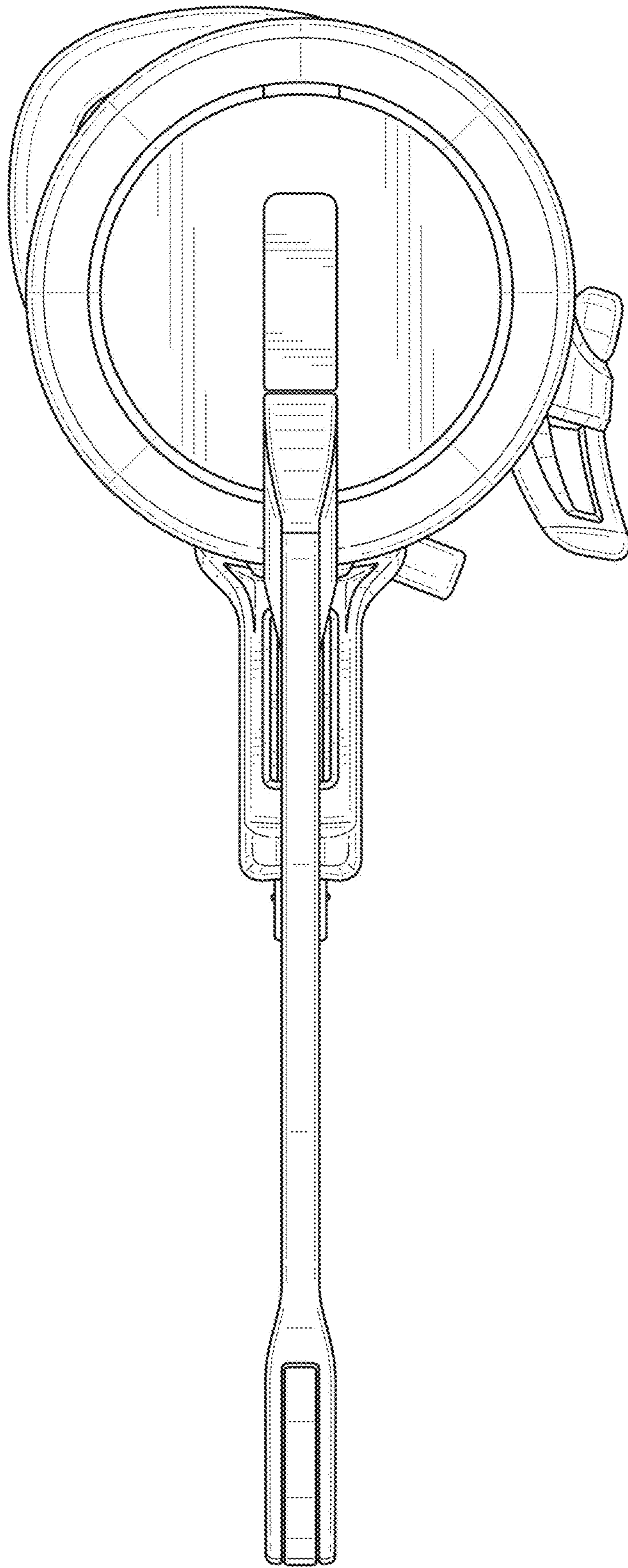
\* cited by examiner



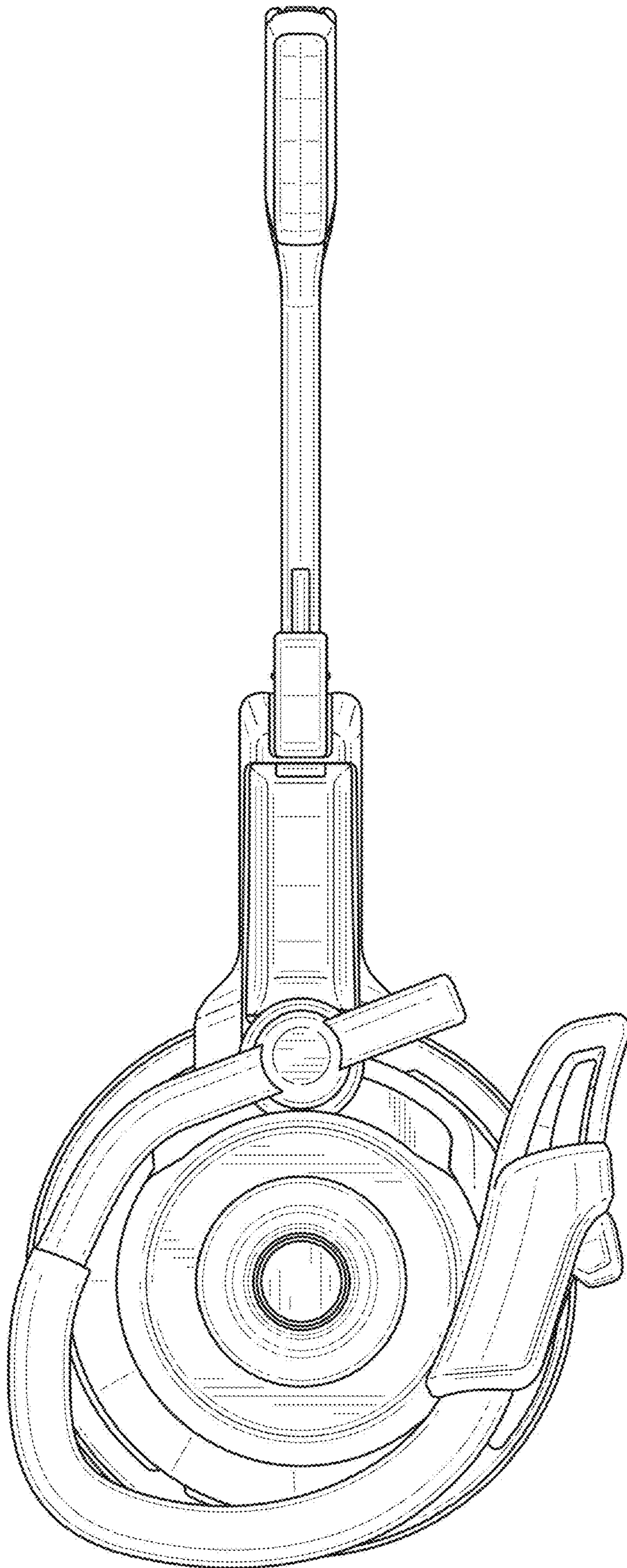
**FIG. 1**



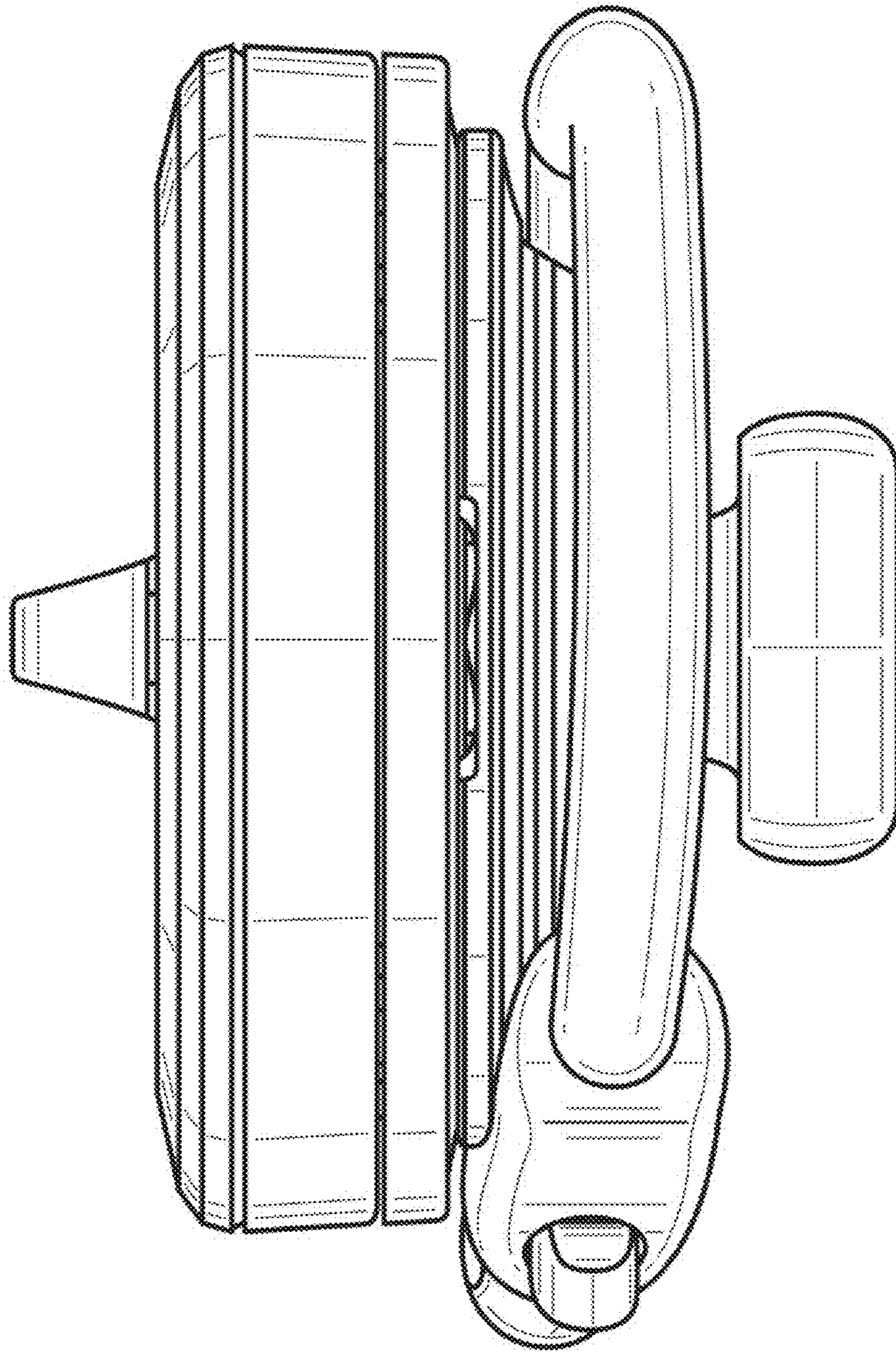
**FIG. 2**



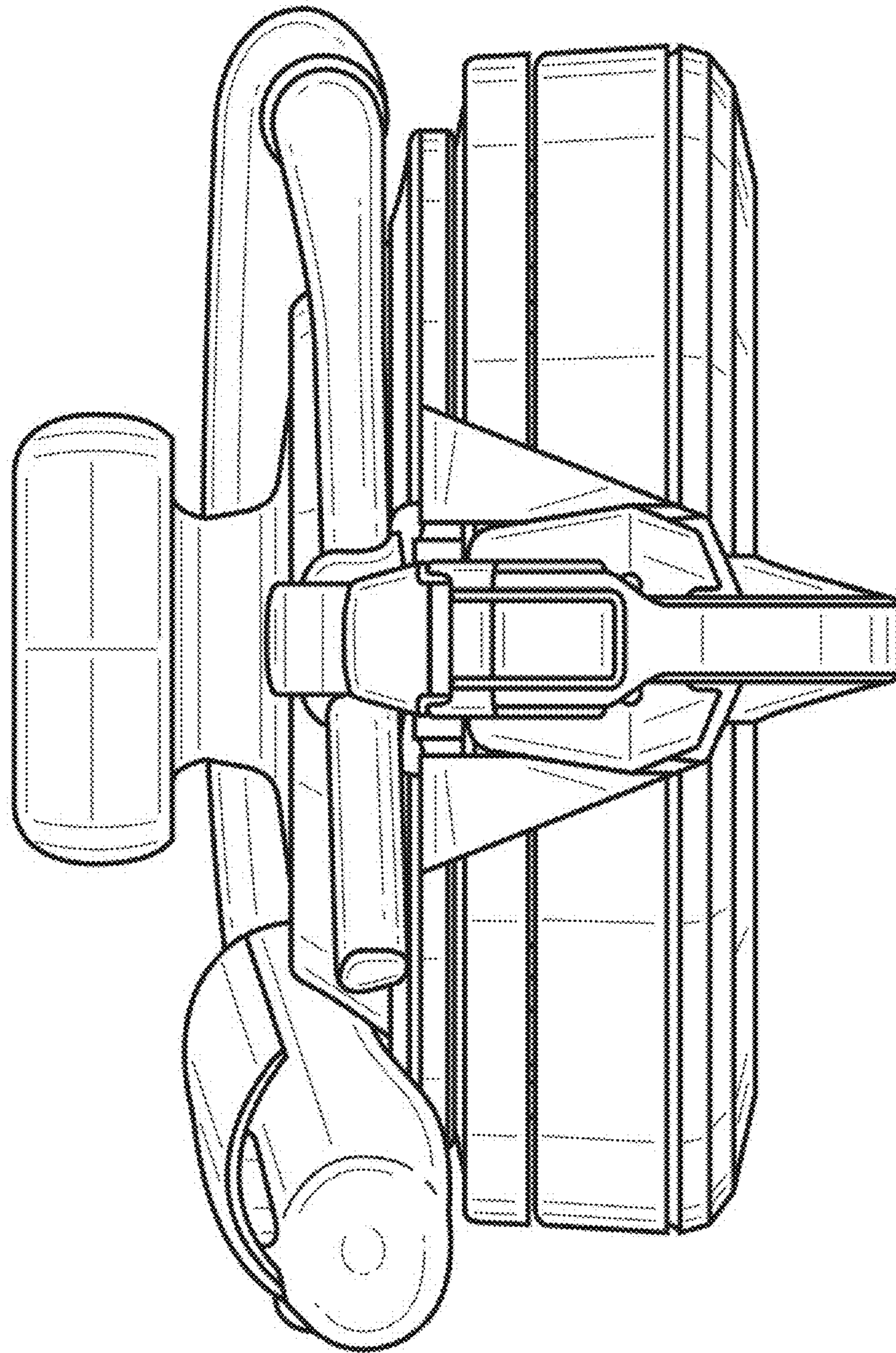
**FIG. 3**



**FIG. 4**



**FIG. 5**



**FIG. 6**



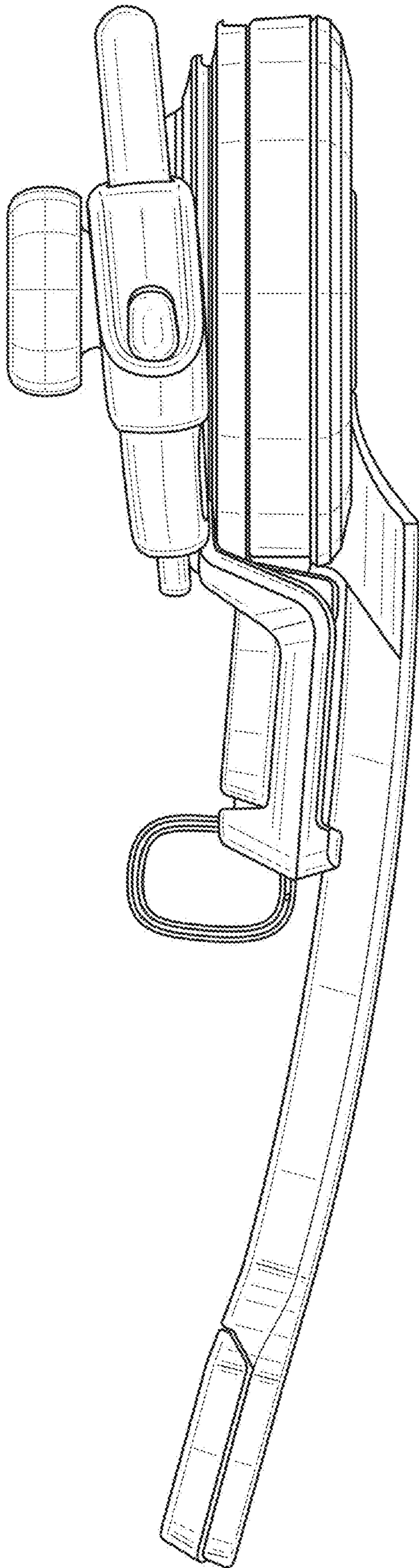


FIG. 7

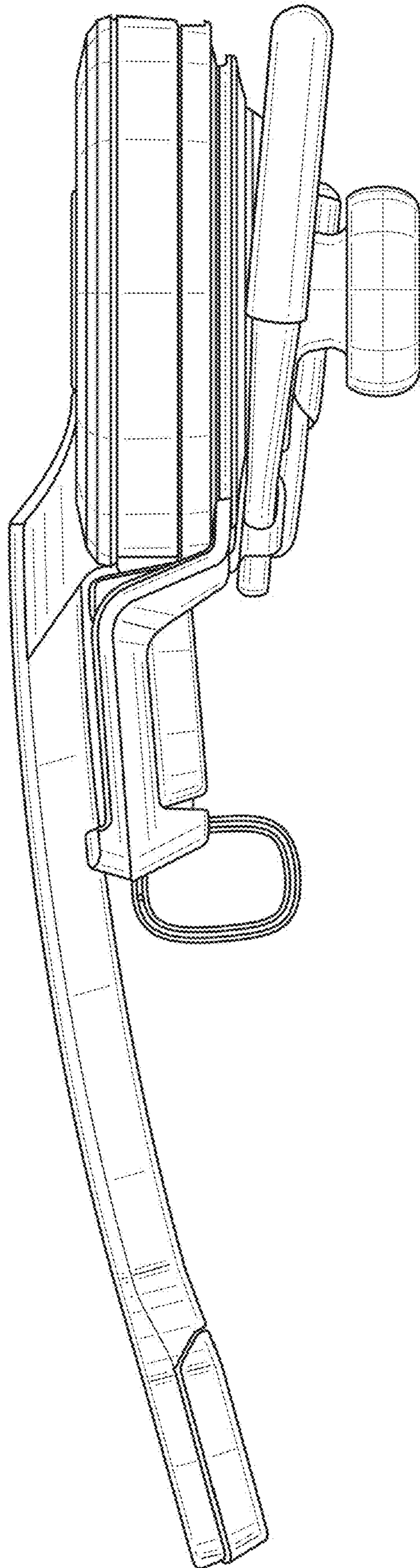


FIG. 8