



US00D847783S

(12) **United States Design Patent**  
**Wernblad et al.**

(10) **Patent No.:** **US D847,783 S**

(45) **Date of Patent:** **\*\* May 7, 2019**

(54) **HEADSET INCLUDING AN EARHOOK**

(71) Applicant: **Sennheiser Communications A/S,**  
Ballerup (DK)

(72) Inventors: **Sivert Wernblad,** Ballerup (DK); **Jens Brandt Kofod,** Ballerup (DK)

(73) Assignee: **SENNHEISER COMMUNICATIONS A/S,** Ballerup (DK)

(\*\*) Term: **15 Years**

(21) Appl. No.: **29/613,213**

(22) Filed: **Aug. 8, 2017**

(30) **Foreign Application Priority Data**

Feb. 9, 2017 (EM) ..... 003745520-0001

Feb. 9, 2017 (EM) ..... 003745520-0002

(51) **LOC (11) Cl.** ..... **14-01**

(52) **U.S. Cl.**  
USPC ..... **D14/206**

(58) **Field of Classification Search**

USPC ..... D14/206, 205, 226, 225, 142, 249, 251;  
181/129, 130, 135; 379/430, 431, 428,  
379/396; 381/380, 381, 370, 374, 375,  
381/74, 328, 382, 322, 183, 395, 332,  
381/182; 455/90.3, 575.1, 569.1  
CPC ..... H04R 25/00; H04R 25/02; H04R 5/02;  
H04R 1/1091; H04R 1/1083; H04R 1/08;  
H04R 1/105; H04R 1/1016; H04R  
1/1066; H04R 19/04

See application file for complete search history.

(56) **References Cited**

**U.S. PATENT DOCUMENTS**

2,363,175 A \* 11/1944 Grossman ..... H04R 25/48  
181/132  
2,485,405 A \* 10/1949 Olney ..... H04R 1/342  
181/22

2,954,442 A \* 9/1960 Mickenberg ..... H04R 5/0335  
2/209  
3,621,156 A \* 11/1971 Kliewer ..... H04M 1/05  
379/430  
4,420,657 A \* 12/1983 Larkin ..... H04M 1/05  
181/129  
4,875,233 A \* 10/1989 Derhaag ..... H04M 1/05  
379/430  
5,033,094 A \* 7/1991 Hung ..... H04M 1/05  
381/379  
5,233,650 A \* 8/1993 Chan ..... H04M 1/05  
379/430  
D344,730 S \* 3/1994 Gattey ..... D14/206  
D366,486 S \* 1/1996 Runquist ..... D14/142

(Continued)

*Primary Examiner* — Paula Allen Greene

(74) *Attorney, Agent, or Firm* — Birch, Stewart, Kolasch  
& Birch, LLP

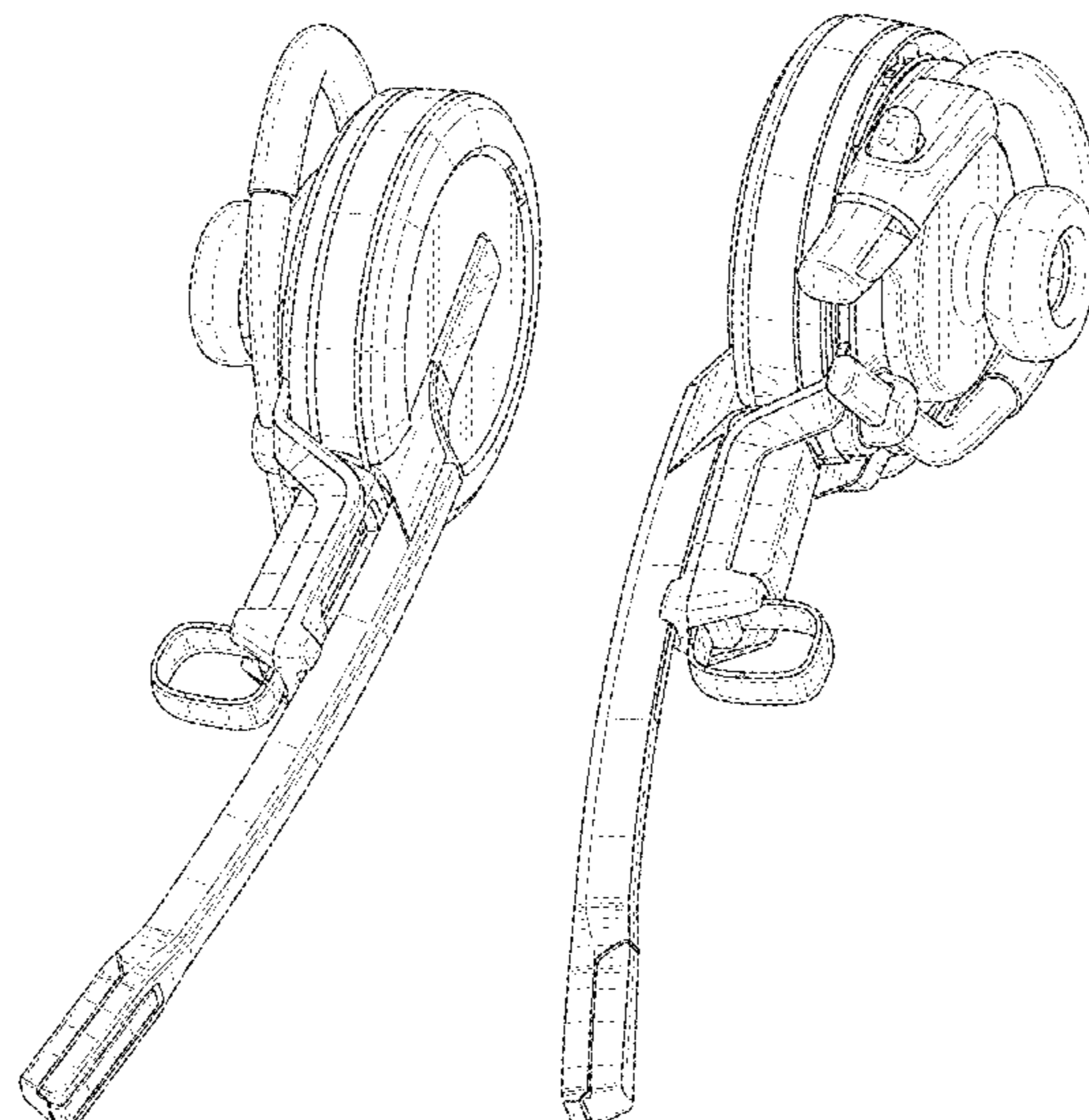
(57) **CLAIM**

The ornamental design for a headset including an earhook,  
as shown and described.

**DESCRIPTION**

FIG. 1 is a perspective view of the headset including an earhook;  
FIG. 2 is another perspective view of the headset including an earhook;  
FIG. 3 is a right side view of the headset including an earhook;  
FIG. 4 is a left side view of the headset including an earhook;  
FIG. 5 is a rear view of the headset including an earhook;  
FIG. 6 is a front view of the headset including an earhook;  
FIG. 7 is a top view of the headset including an earhook;  
and,  
FIG. 8 is bottom view of the headset including an earhook.

**1 Claim, 8 Drawing Sheets**



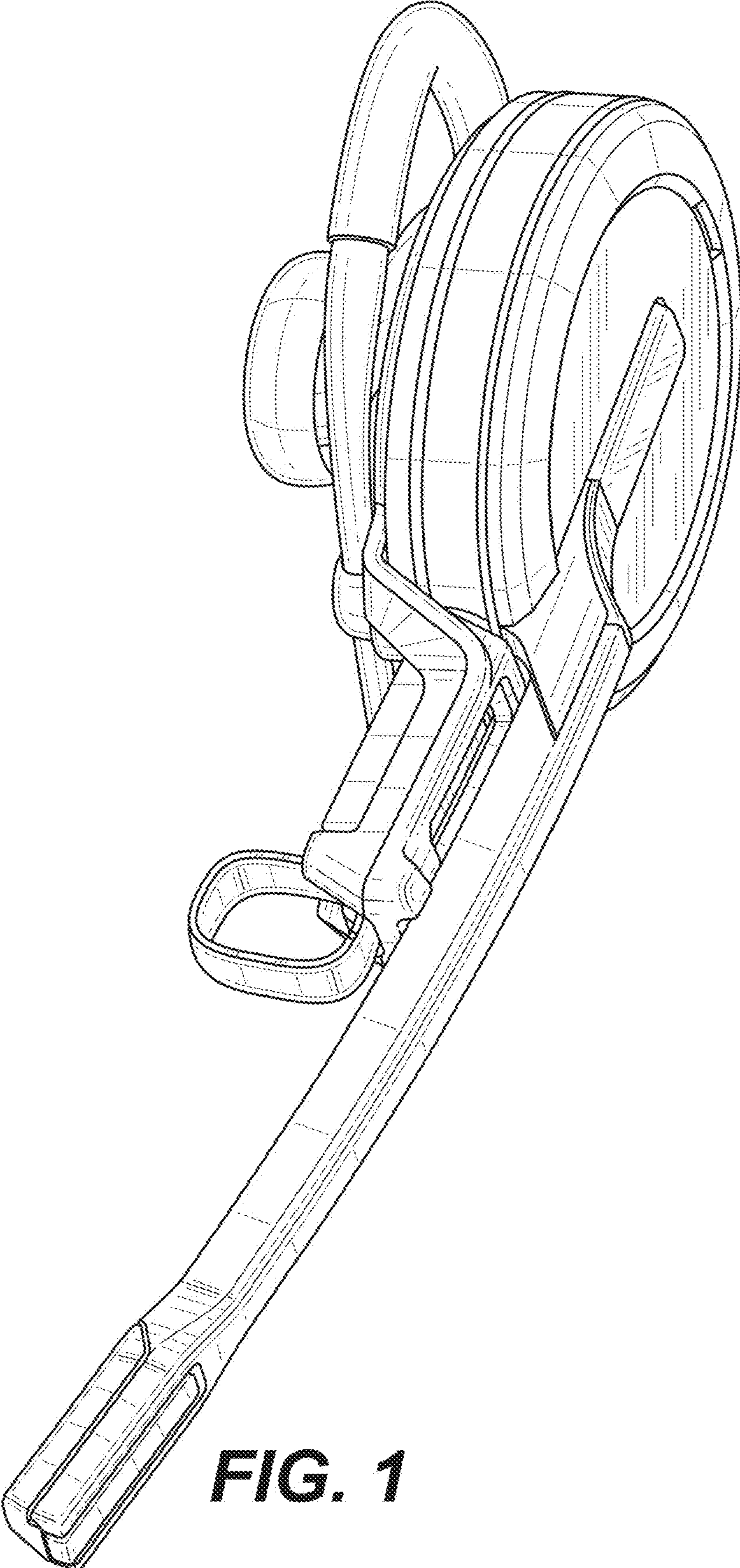
(56)

References Cited

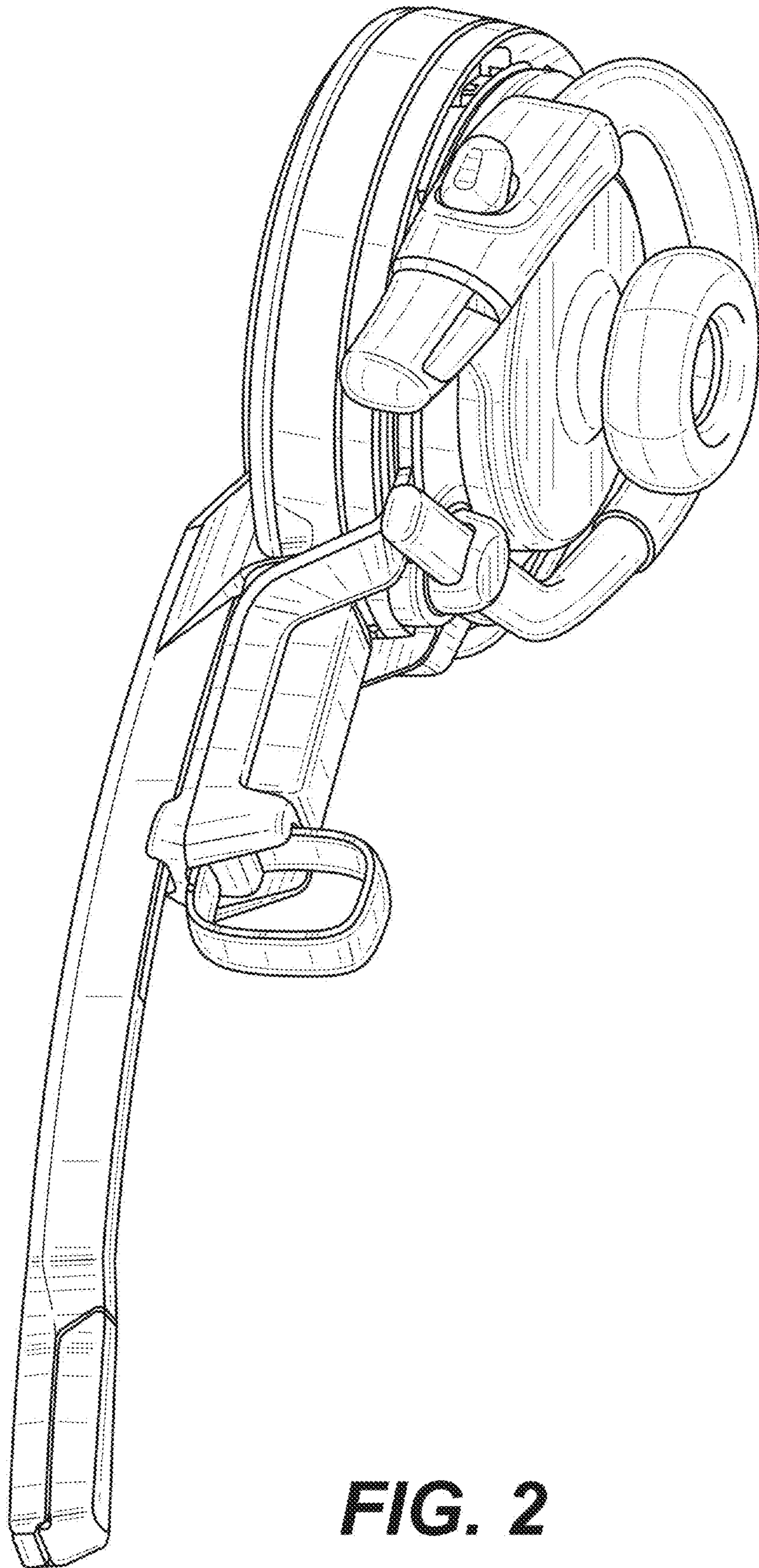
U.S. PATENT DOCUMENTS

5,544,253 A *	8/1996	Nagayoshi	H04R 1/1016	7,209,177 B2 *	4/2007	Lapalme	B21F 1/002
			379/430				348/375
5,555,554 A *	9/1996	Hofer	H04R 1/22	7,245,737 B2 *	7/2007	Amae	H04R 1/1066
			381/371				381/374
D375,313 S *	11/1996	Jensen	D14/206	D549,216 S *	8/2007	Viduya	D14/206
5,740,263 A *	4/1998	Liao	H04R 1/083	7,391,863 B2 *	6/2008	Viduya	H04M 1/05
			381/361				379/430
D394,437 S *	5/1998	Landreth	D14/206	D581,900 S *	12/2008	Caddes	D14/206
5,757,944 A *	5/1998	Jensen	H04R 1/08	D628,189 S *	11/2010	Rath	D14/206
			379/430	D638,000 S *	5/2011	Hoggarth	D14/206
5,787,166 A *	7/1998	Ullman	H04M 1/05	D643,405 S *	8/2011	Rath	D14/206
			379/430	8,061,473 B1 *	11/2011	Kerr	A61F 11/008
D403,327 S *	12/1998	Landreth	D14/223				181/135
D404,724 S *	1/1999	Brunner	D14/352	D653,649 S *	2/2012	Yang	D14/206
D410,921 S *	6/1999	Luchs	D14/142	8,369,557 B2 *	2/2013	Kuhtz	H04R 1/1058
6,101,260 A *	8/2000	Jensen	H04M 1/05				381/370
			379/430	8,374,372 B2 *	2/2013	Lee	H04R 1/1058
D436,348 S *	1/2001	McGugan	D14/142				381/370
D443,870 S *	6/2001	Carpenter	D14/206	8,391,536 B2 *	3/2013	Hashimoto	H04R 1/1016
D451,903 S *	12/2001	Amae	D14/206				381/370
D451,906 S *	12/2001	Amae	D14/223	D684,145 S *	6/2013	Rath	D14/206
D451,907 S *	12/2001	Amae	D14/206	8,538,056 B2 *	9/2013	Ishibashi	H04R 25/652
D452,857 S *	1/2002	Hong	D14/206				381/330
6,356,635 B1 *	3/2002	Lyman	H04M 1/05	D691,113 S *	10/2013	Gougherty	D14/206
			379/430	8,565,467 B1 *	10/2013	Tseng	H04R 1/1016
D455,732 S *	4/2002	Skulley	D14/206				181/129
D464,943 S *	10/2002	Lai	D14/206	8,605,934 B2 *	12/2013	Hagberg	H04R 1/1066
D464,944 S *	10/2002	Lee	D14/206				379/430
D492,667 S *	7/2004	Skulley	D14/223	8,737,667 B2 *	5/2014	Oh	A61B 5/6898
D515,074 S *	2/2006	Jacobson	D14/225				379/430
D517,528 S *	3/2006	Skulley	D14/206	D716,259 S *	10/2014	Awiszus	D14/206
7,013,018 B2 *	3/2006	Bogeskov-Jensen	H04M 1/05	D717,767 S *	11/2014	Mistry	D14/206
			381/370	D732,508 S *	6/2015	Funayama	D14/223
D518,479 S *	4/2006	Skulley	D14/225	D735,697 S *	8/2015	Petersen	D14/223
D524,795 S *	7/2006	Cohen	D14/206	D741,842 S *	10/2015	Levine	D14/226
7,106,877 B1 *	9/2006	Linville	H04R 1/105	D760,690 S *	7/2016	Gecawicz	D14/206
			381/370	9,549,236 B2 *	1/2017	Hamilton	H04R 1/02
D531,165 S *	10/2006	Rath	D14/206	9,716,932 B2 *	7/2017	Miller	H04R 1/028
D535,980 S *	1/2007	Bentley	D14/225	D822,638 S *	7/2018	Liu	D14/206
D540,778 S *	4/2007	Thompson	D14/206	2001/0036291 A1 *	11/2001	Pallai	H04R 1/083
							381/382
				2005/0286717 A1 *	12/2005	Viduya	H04M 1/05
							379/430

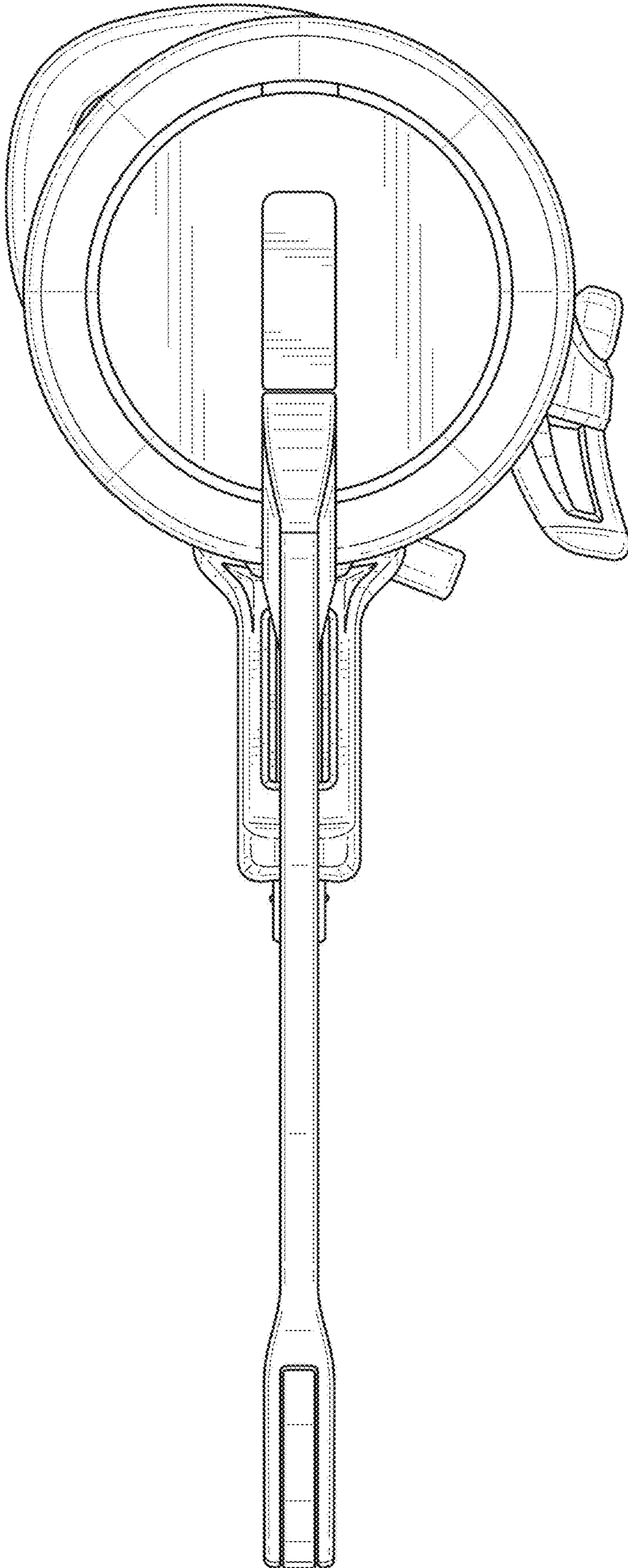
\* cited by examiner



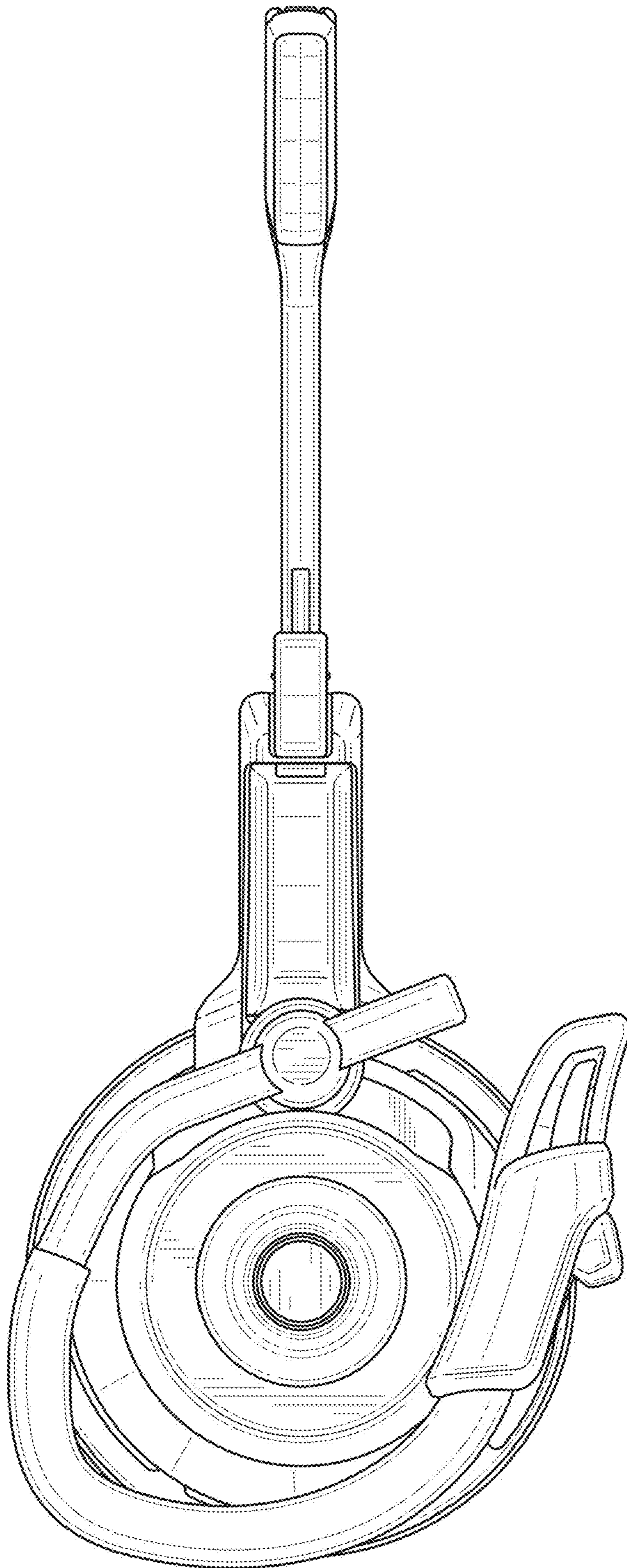
**FIG. 1**



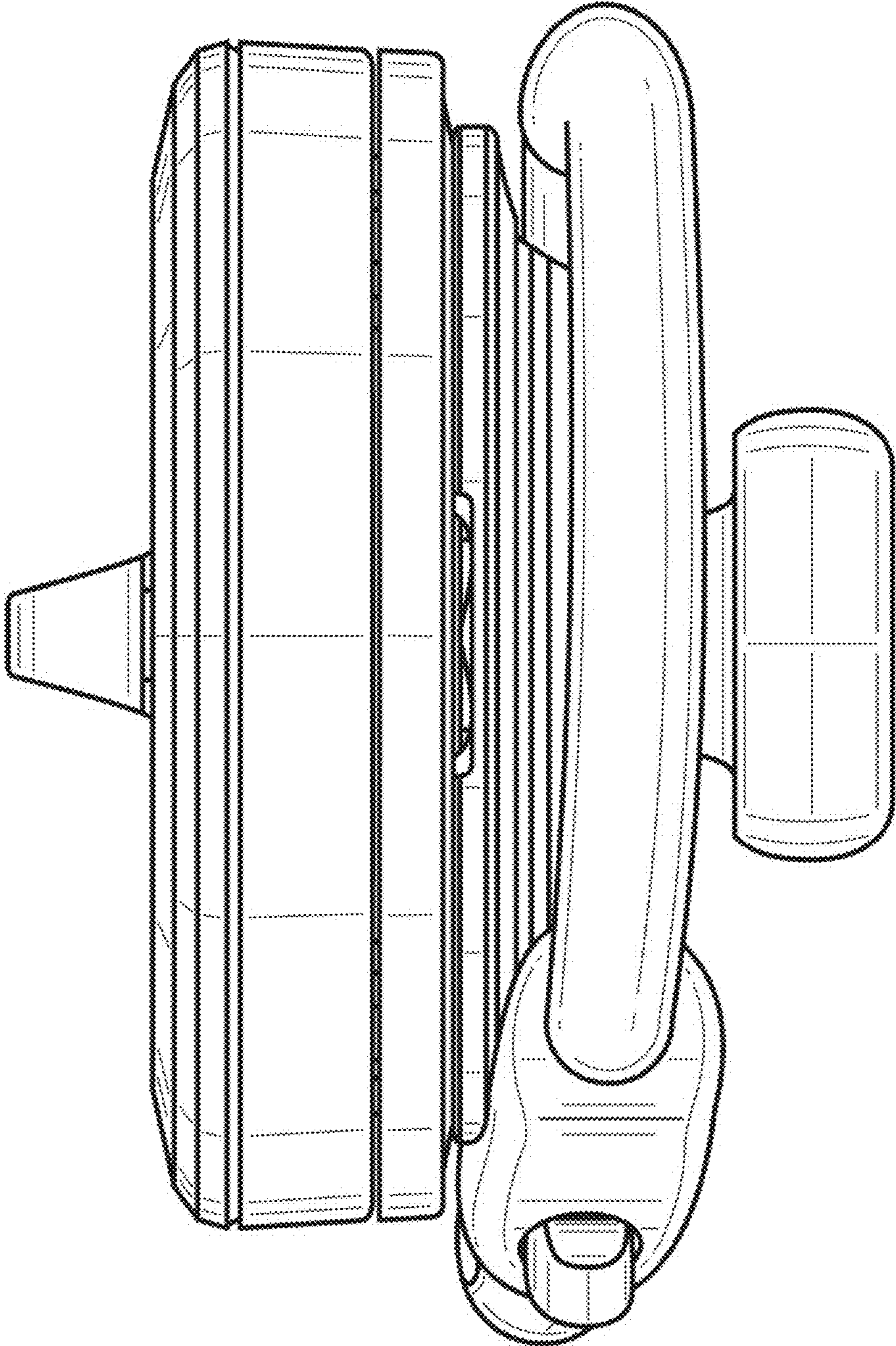
**FIG. 2**



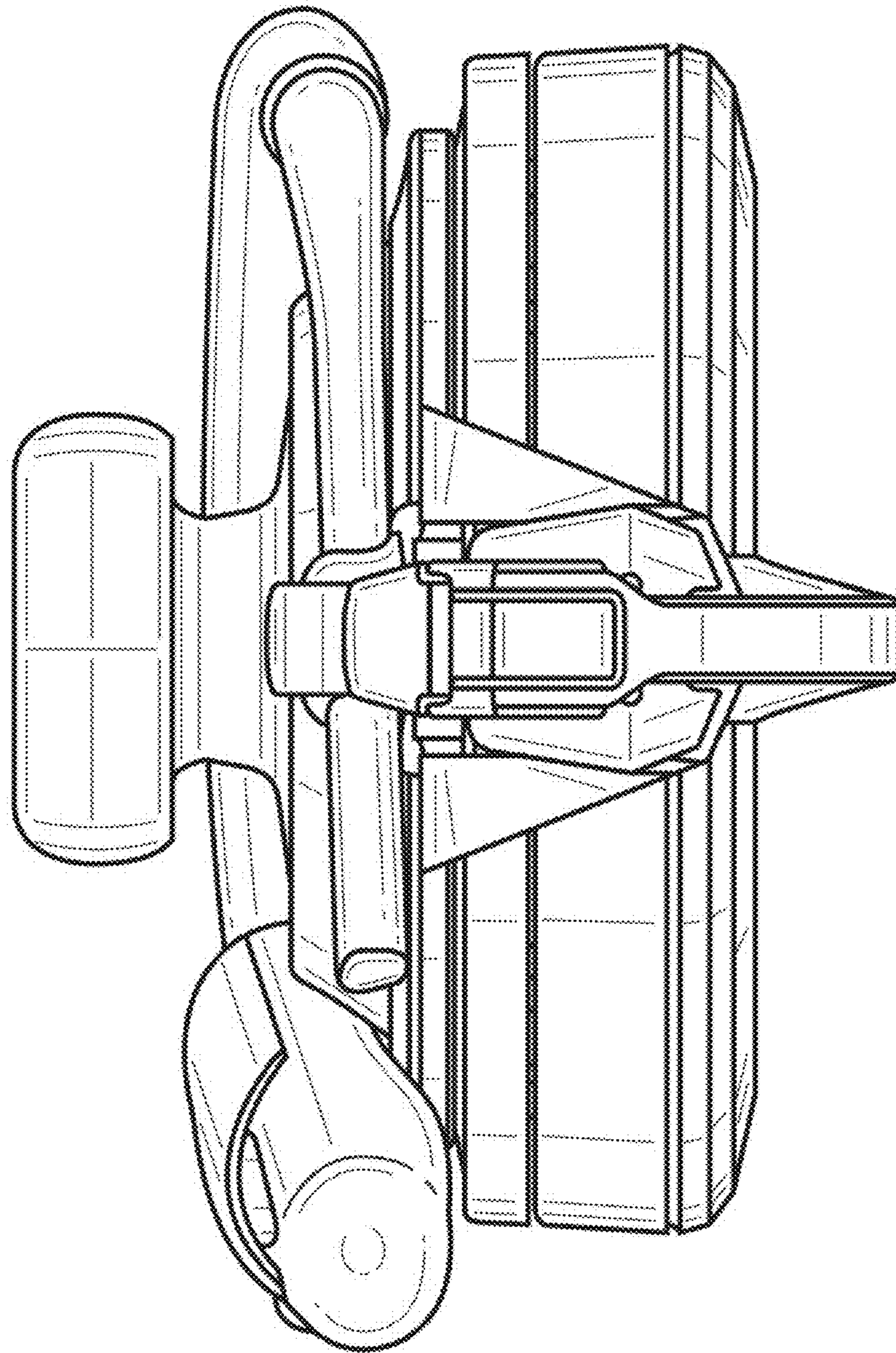
**FIG. 3**



**FIG. 4**



**FIG. 5**



**FIG. 6**



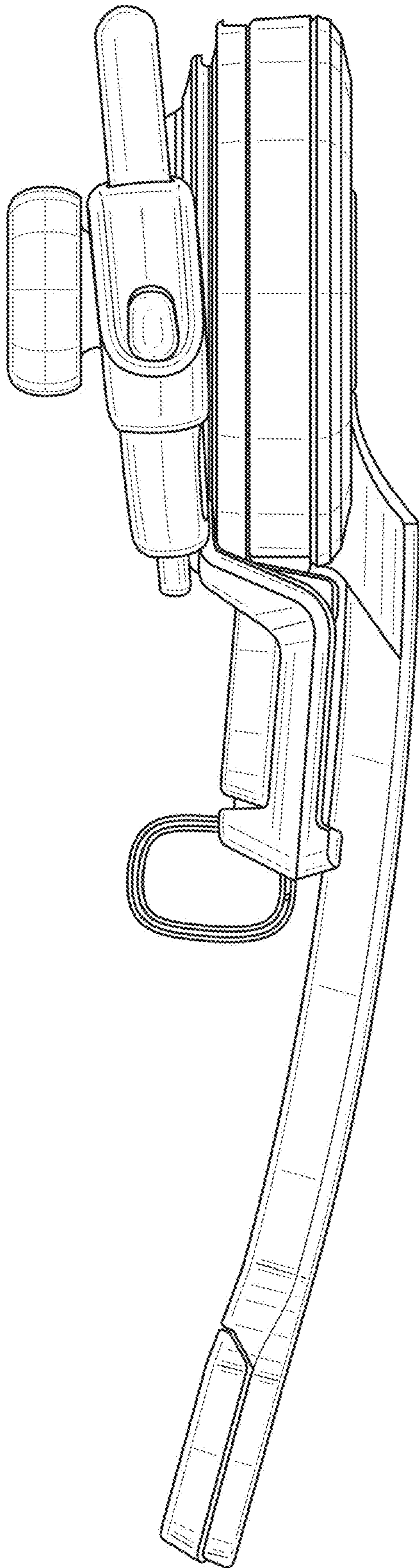
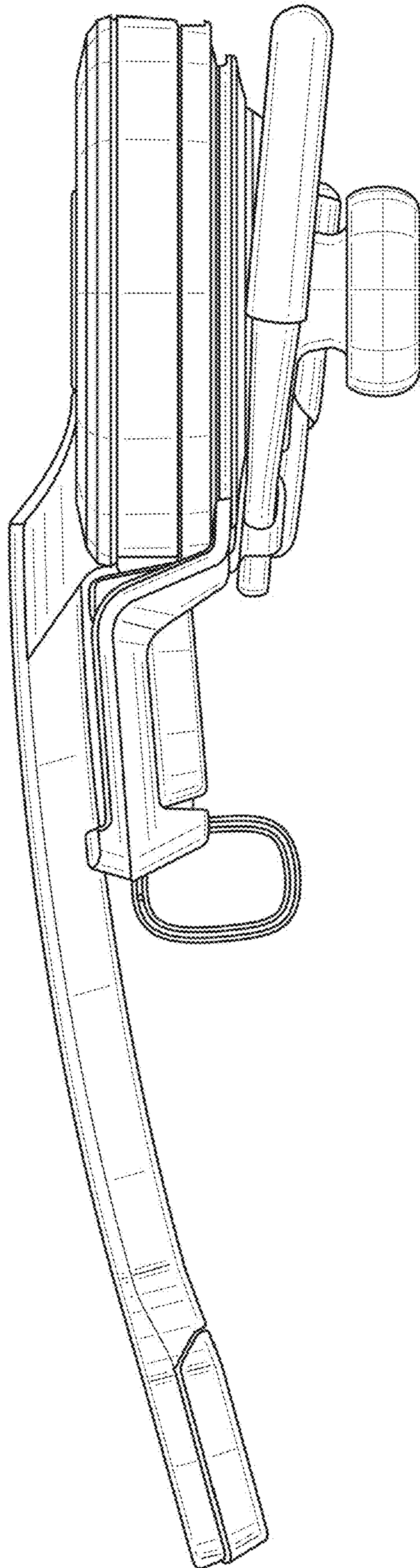


FIG. 7



**FIG. 8**