



US00D847782S

(12) **United States Design Patent**
Wernblad

(10) **Patent No.:** **US D847,782 S**

(45) **Date of Patent:** **** May 7, 2019**

(54) **SNAP ON-OFF HEADSET**

(71) Applicant: **Sennheiser Communications A/S,**
Ballerup (DK)

(72) Inventor: **Sivert Wernblad,** Ballerup (DK)

(73) Assignee: **SENNHEISER COMMUNICATIONS**
A/S, Ballerup (DK)

(**) Term: **15 Years**

(21) Appl. No.: **29/612,846**

(22) Filed: **Aug. 4, 2017**

(30) **Foreign Application Priority Data**

Feb. 8, 2017 (EM) 003743897-0001
Feb. 8, 2017 (EM) 003743897-0002

(51) **LOC (11) Cl.** **14-01**

(52) **U.S. Cl.**
USPC **D14/206**

(58) **Field of Classification Search**
USPC D14/206, 205, 226, 225, 142, 249, 251;
181/129, 130, 135; 381/380, 381, 370,
381/374, 375, 74, 328, 382, 322, 183,
381/395, 332, 182; 379/430, 431;
455/90.3, 575.1, 569.1
CPC H04R 25/00; H04R 5/02; H04R 25/02;
H04R 1/1091; H04R 19/04; H04R
1/1083; H04R 1/08; H04R 1/105; H04R
1/1016; H04R 1/1066
See application file for complete search history.

(56) **References Cited**

U.S. PATENT DOCUMENTS

2,363,175 A * 11/1944 Grossman H04R 25/48
181/132
2,485,405 A * 10/1949 Olney H04R 1/342
181/22

2,954,442 A * 9/1960 Mickenberg H04R 5/0335
2/209
3,621,156 A * 11/1971 Kliewer H04M 1/05
379/430
4,420,657 A * 12/1983 Larkin H04M 1/05
181/129
4,875,233 A * 10/1989 Derhaag H04M 1/05
379/430
5,033,094 A * 7/1991 Hung H04M 1/05
381/379
5,233,650 A * 8/1993 Chan H04M 1/05
379/430
D344,730 S * 3/1994 Gattey D14/206
5,544,253 A * 8/1996 Nagayoshi H04R 1/1016
379/430
5,555,554 A * 9/1996 Hofer H04R 1/22
381/371
5,740,263 A * 4/1998 Liao H04R 1/083
381/361
D394,437 S * 5/1998 Landreth D14/206

(Continued)

Primary Examiner — Paula Allen Greene

(74) *Attorney, Agent, or Firm* — Birch, Stewart, Kolasch
& Birch, LLP

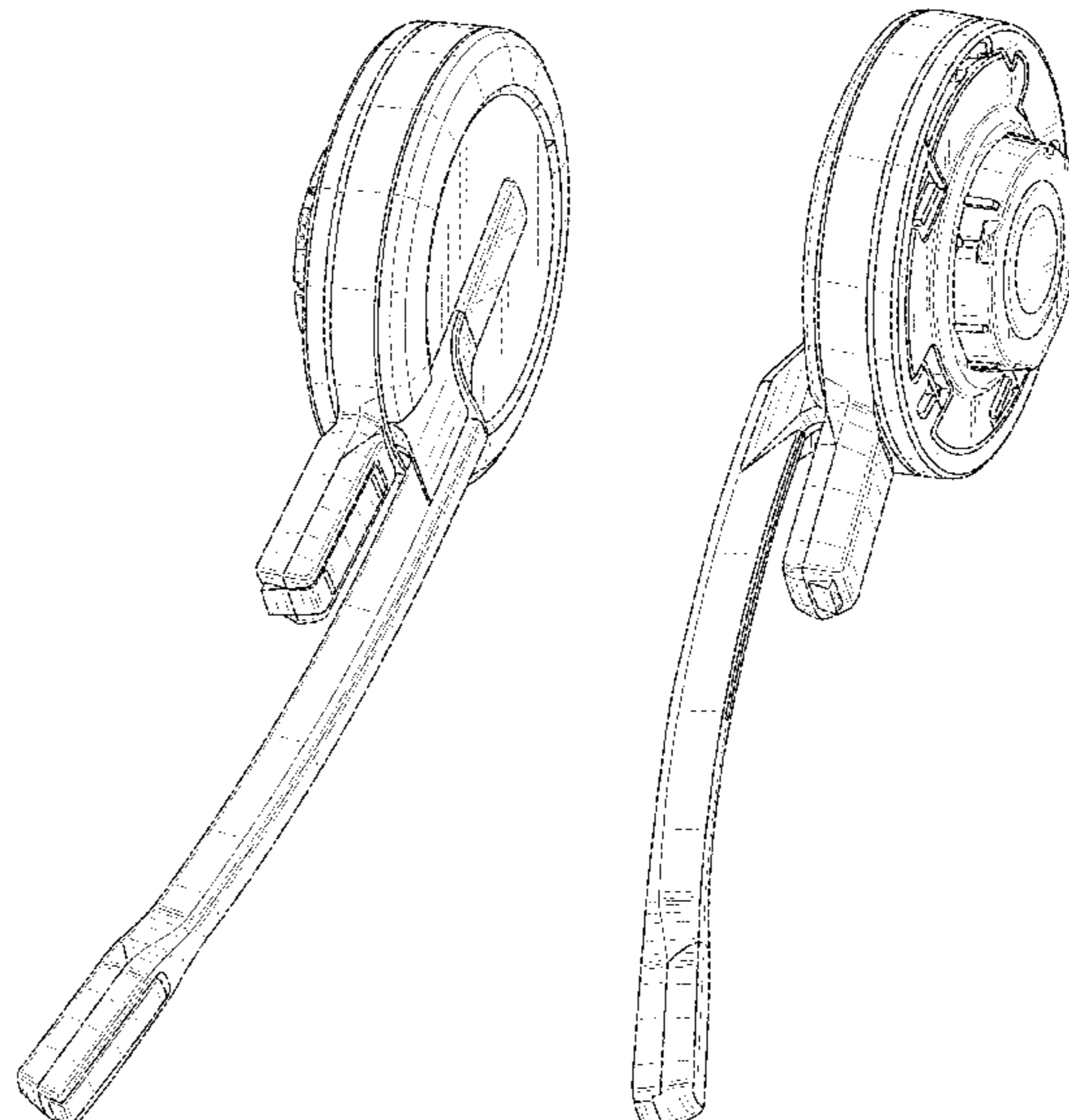
(57) **CLAIM**

The ornamental design for a snap on-off headset, as shown
and described.

DESCRIPTION

FIG. 1 is a perspective view of the snap on-off headset;
FIG. 2 is another perspective view of the snap on-off
headset;
FIG. 3 is a right side view of the snap on-off headset;
FIG. 4 is a left side view of the snap on-off headset;
FIG. 5 is a rear view of the snap on-off headset;
FIG. 6 is a front view of the snap on-off headset;
FIG. 7 is a top view of the snap on-off headset; and,
FIG. 8 is a bottom view of the snap on-off headset.

1 Claim, 8 Drawing Sheets



(56)

References Cited

U.S. PATENT DOCUMENTS

5,757,944 A * 5/1998 Jensen H04R 1/08
379/430
5,787,166 A * 7/1998 Ullman H04M 1/05
379/430
D404,724 S * 1/1999 Brunner D14/352
D410,921 S * 6/1999 Luchs D14/142
6,101,260 A * 8/2000 Jensen H04M 1/05
379/430
D436,348 S * 1/2001 McGugan D14/142
D443,870 S * 6/2001 Carpenter D14/206
D451,903 S * 12/2001 Amae D14/206
D451,906 S * 12/2001 Amae D14/223
D451,907 S * 12/2001 Amae D14/206
D452,857 S * 1/2002 Hong D14/206
6,356,635 B1 * 3/2002 Lyman H04M 1/05
379/430
D464,944 S * 10/2002 Lee D14/206
D492,667 S * 7/2004 Skulley D14/223
D515,074 S * 2/2006 Jacobson D14/225
D517,528 S * 3/2006 Skulley D14/206
7,013,018 B2 * 3/2006 Bogeskov-Jensen ... H04M 1/05
381/370
D518,479 S * 4/2006 Skulley D14/225
D524,795 S * 7/2006 Cohen D14/206
D531,165 S * 10/2006 Rath D14/206
D535,980 S * 1/2007 Bentley D14/225
D540,778 S * 4/2007 Thompson D14/206
7,245,737 B2 * 7/2007 Amae H04R 1/1066
381/374
D549,216 S * 8/2007 Viduya D14/206
7,391,863 B2 * 6/2008 Viduya H04M 1/05
379/430
D581,900 S * 12/2008 Caddes D14/206

D628,189 S * 11/2010 Rath D14/206
D638,000 S * 5/2011 Hoggarth D14/206
D643,405 S * 8/2011 Rath D14/206
8,061,473 B1 * 11/2011 Kerr A61F 11/008
181/135
D653,649 S * 2/2012 Yang D14/206
8,369,557 B2 * 2/2013 Kuhtz H04R 1/1058
381/370
8,374,372 B2 * 2/2013 Lee H04R 1/1058
381/370
8,391,536 B2 * 3/2013 Hashimoto H04R 1/1016
381/370
D684,145 S * 6/2013 Rath D14/206
8,538,056 B2 * 9/2013 Ishibashi H04R 25/652
381/330
D691,113 S * 10/2013 Gougherty D14/206
8,565,467 B1 * 10/2013 Tseng H04R 1/1016
181/129
8,605,934 B2 * 12/2013 Hagberg H04R 1/1066
379/430
8,737,667 B2 * 5/2014 Oh A61B 5/6898
379/430
D716,259 S * 10/2014 Awiszus D14/206
D717,767 S * 11/2014 Mistry D14/206
D732,508 S * 6/2015 Funayama D14/223
D735,697 S * 8/2015 Petersen D14/223
D741,842 S * 10/2015 Levine D14/226
D760,690 S * 7/2016 Gecawicz D14/206
9,549,236 B2 * 1/2017 Hamilton H04R 1/02
9,716,932 B2 * 7/2017 Miller H04R 1/028
D822,638 S * 7/2018 Liu D14/206
2001/0036291 A1 * 11/2001 Pallai H04R 1/083
381/382
2005/0286717 A1 * 12/2005 Viduya H04M 1/05
379/430

* cited by examiner

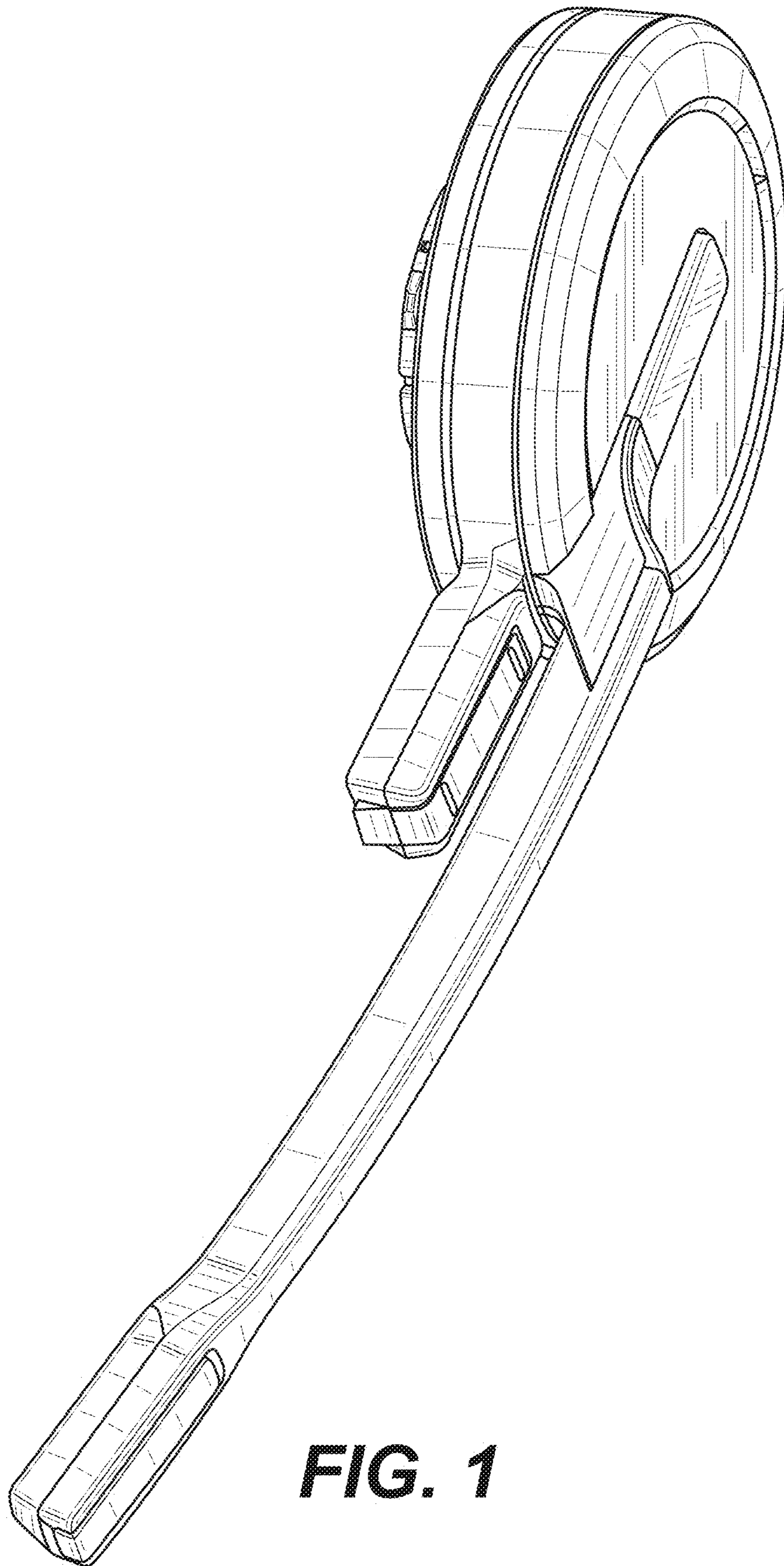


FIG. 1

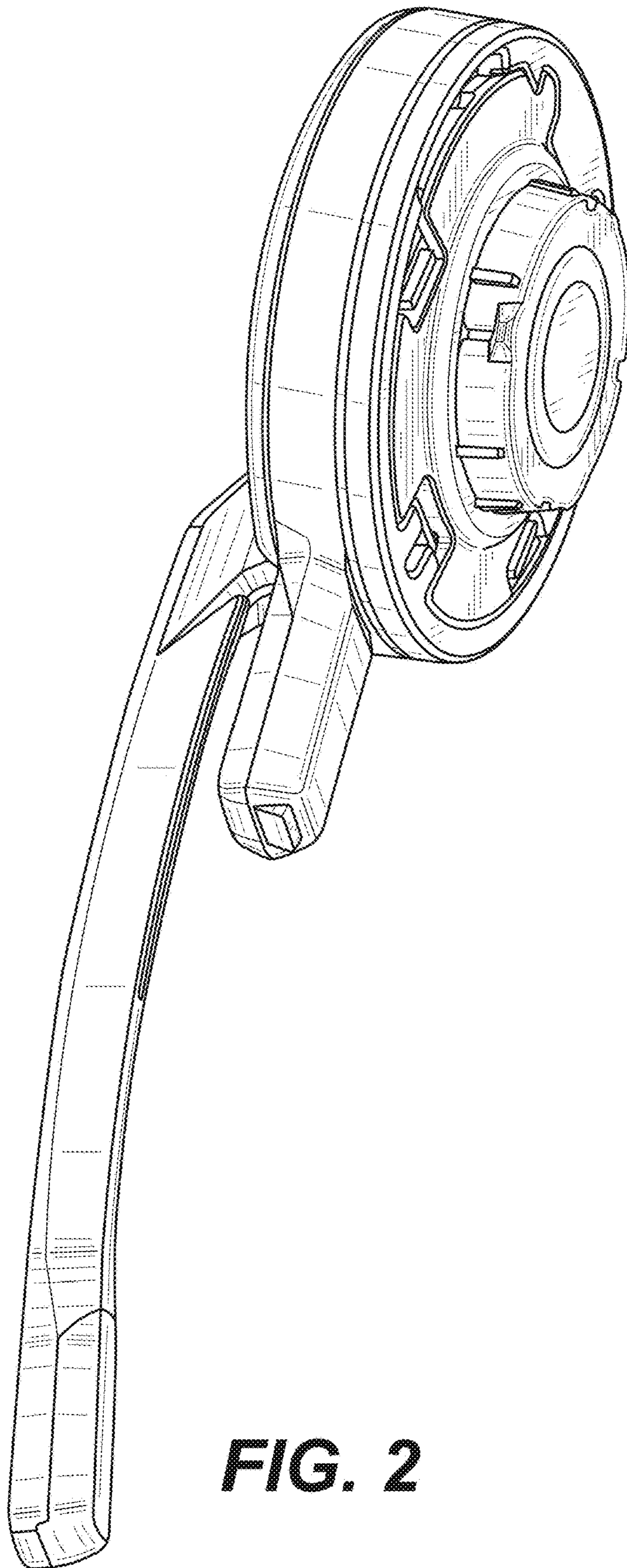


FIG. 2

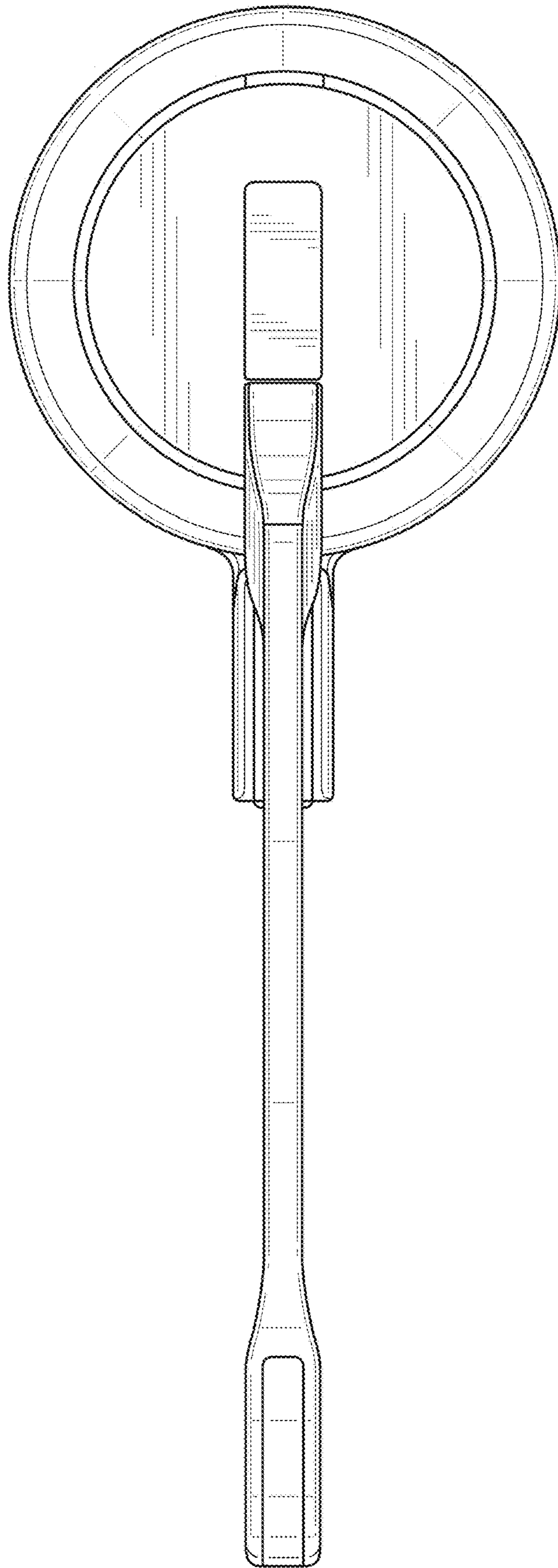


FIG. 3

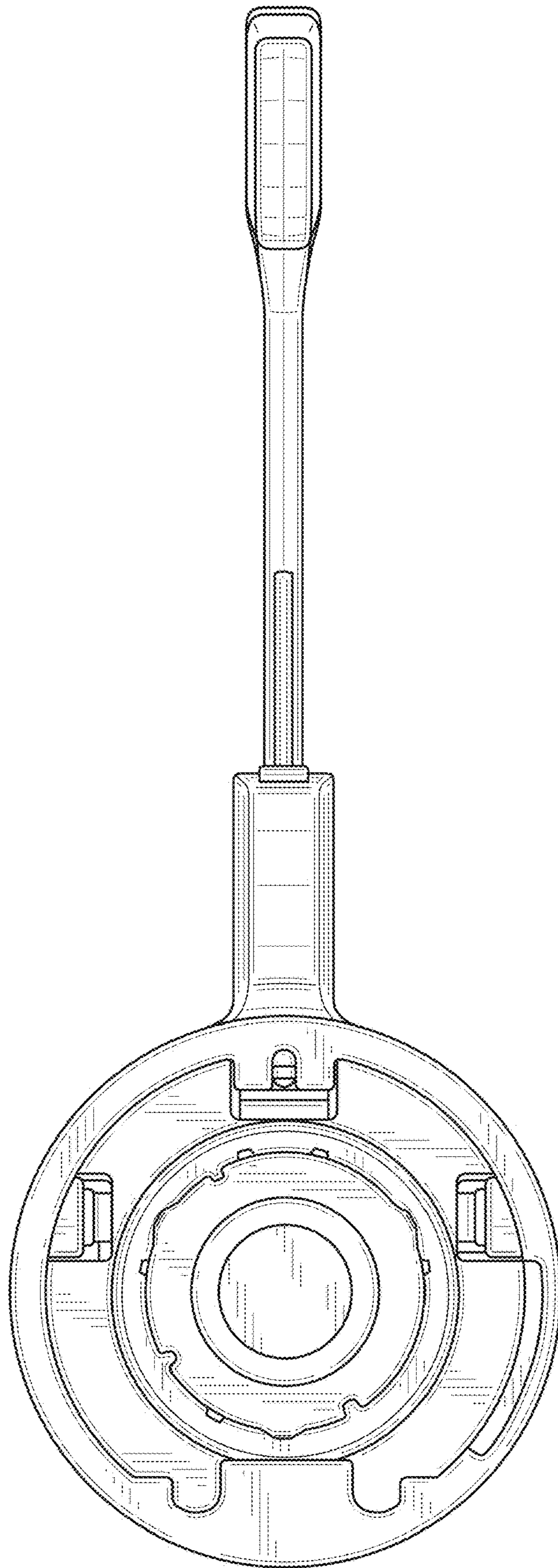


FIG. 4

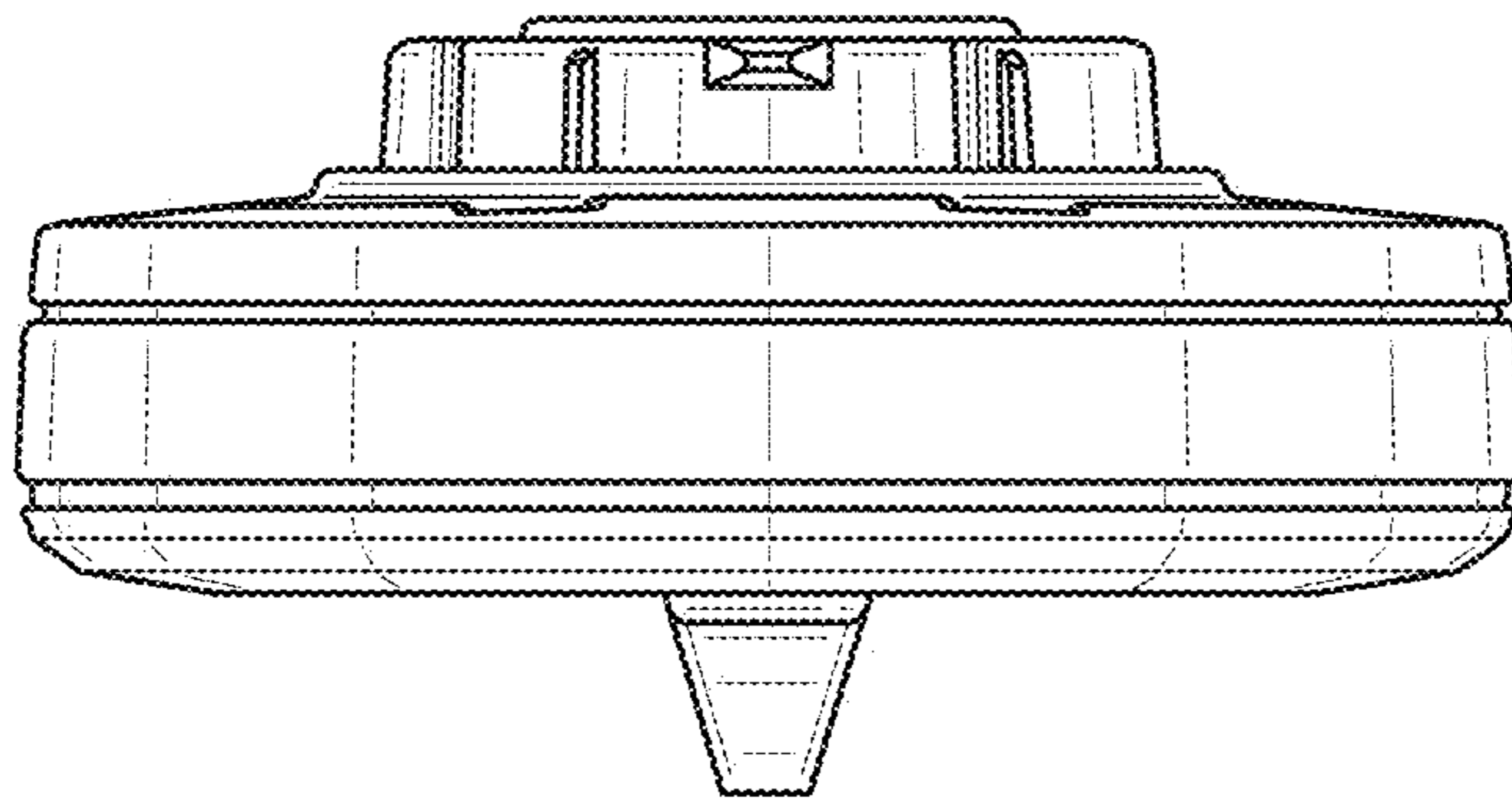


FIG. 5

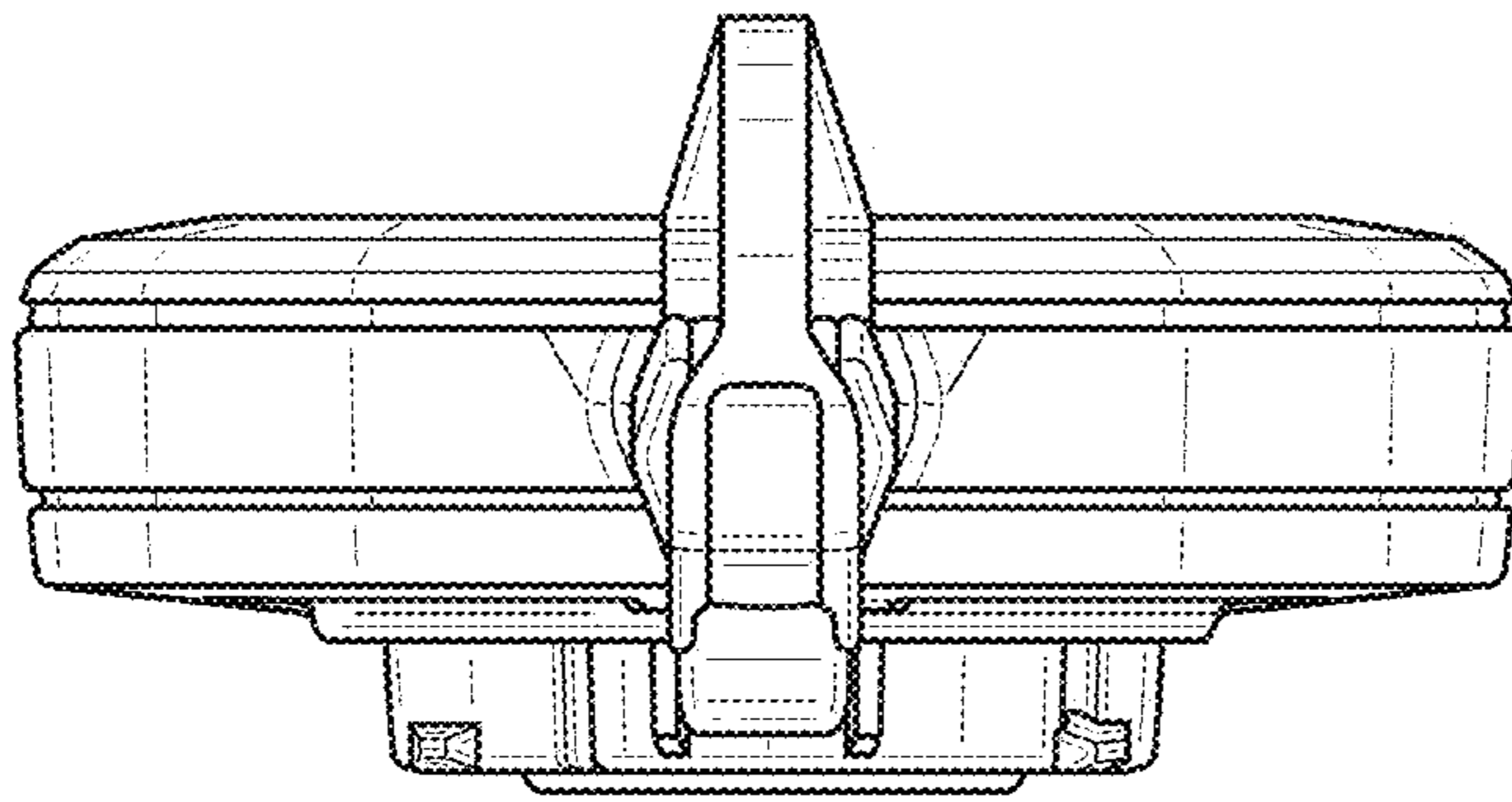


FIG. 6

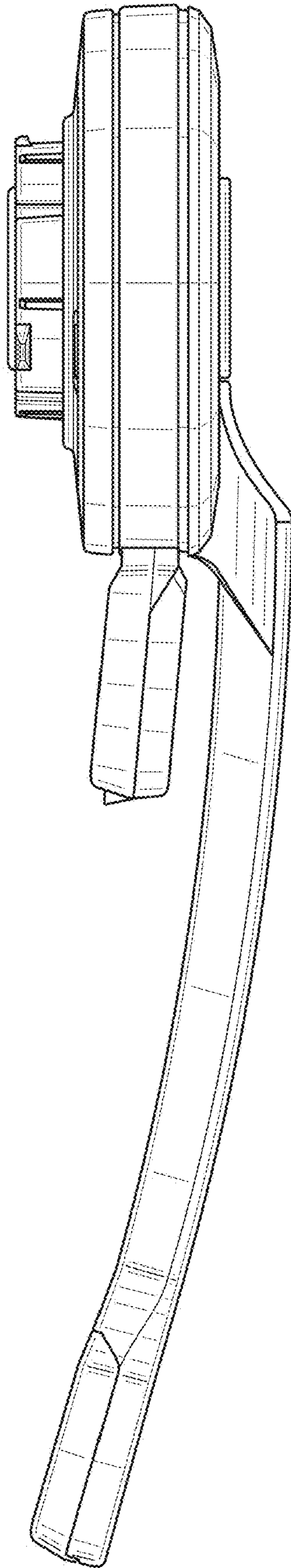


FIG. 7

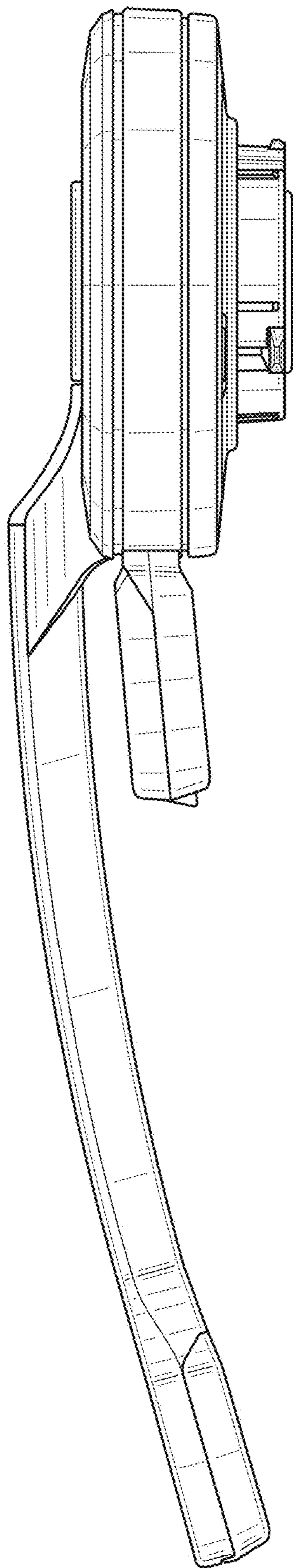


FIG. 8