



US00D847781S

(12) **United States Design Patent**
Chen

(10) **Patent No.:** **US D847,781 S**

(45) **Date of Patent:** **** May 7, 2019**

(54) **HEADPHONE**

(71) Applicant: **Dongguan Lisong Electronics Co., LTD.**, Dongguan (CN)

(72) Inventor: **Daofeng Chen**, Dongguan (CN)

(73) Assignee: **DONGGUAN LISONG ELECTRONICS CO., LTD.**, Dongguan (CN)

(**) Term: **15 Years**

(21) Appl. No.: **29/603,033**

(22) Filed: **May 5, 2017**

(51) **LOC (11) Cl.** **14-01**

(52) **U.S. Cl.**
USPC **D14/206; D14/226**

(58) **Field of Classification Search**
USPC D14/205, 223, 188, 192, 225, 226;
D29/112; 2/209; 181/129, 130, 135;
379/430, 431; 381/380, 381, 374;
455/90.3, 575.1, 569.1
CPC H04R 1/1066; H04R 1/1016; H04R 25/00;
H04R 25/02; H04R 1/10; H04R 5/033;
H04R 5/0335; H04R 1/1091; H04R
1/1058

See application file for complete search history.

(56) **References Cited**

U.S. PATENT DOCUMENTS

D266,417 S * 10/1982 Perez D14/165
D286,632 S * 11/1986 Teunis D14/205
D302,429 S * 7/1989 Leer D14/137
D321,879 S * 11/1991 Emmerling D14/188
5,113,428 A * 5/1992 Fitzgerald H04B 1/385
379/430
D342,947 S * 1/1994 Totsuka D14/192
D346,380 S * 4/1994 Fitzgerald D14/138 R

D348,465 S * 7/1994 Yamatogi D14/205
D352,036 S * 11/1994 Sekita D14/192
D357,477 S * 4/1995 Mueller D14/206
D411,200 S * 6/1999 Almqvist D14/192
D467,895 S * 12/2002 Hirano D14/192
D491,163 S * 6/2004 Green D14/205
D505,415 S * 5/2005 Han D14/223
D514,087 S * 1/2006 Wilson D14/206
D520,492 S * 5/2006 Chen D14/205
D530,306 S * 10/2006 Wang D14/189
D541,255 S * 4/2007 Taylor D14/205
D576,604 S * 9/2008 Suzuki D14/205
D592,640 S * 5/2009 Tkachuk D14/205
D638,397 S * 5/2011 McManigal D14/205
D641,725 S * 7/2011 Chong D14/205
D649,528 S * 11/2011 Park D14/205
8,139,807 B2 * 3/2012 Reiss H04R 1/1083
381/371
D662,490 S * 6/2012 McSweyn D14/205
D672,745 S * 12/2012 Abed D14/205
D673,518 S * 1/2013 Tan D14/205
D691,582 S * 10/2013 Nguyen H04S 1/005
D14/205

(Continued)

Primary Examiner — Paula Allen Greene

(74) *Attorney, Agent, or Firm* — Ming Chow; Sinorica, LLC

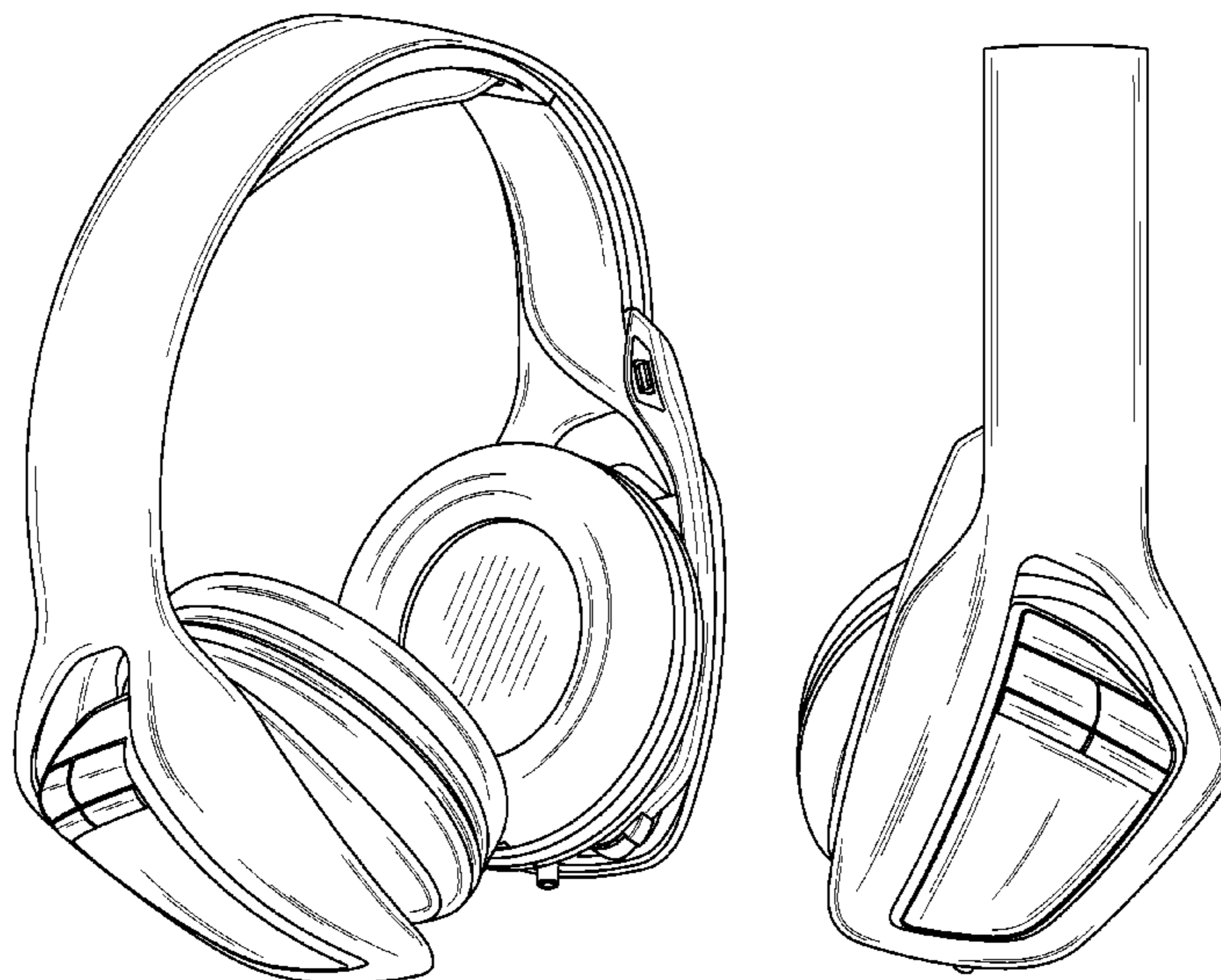
(57) **CLAIM**

The ornamental design for a headphone, as shown and described.

DESCRIPTION

FIG. 1 is a perspective view of the headphone showing my new design;
FIG. 2 is a front elevation view thereof;
FIG. 3 is a rear elevation view thereof;
FIG. 4 is left side view thereof;
FIG. 5 is right side view thereof;
FIG. 6 is a top plan view thereof; and,
FIG. 7 is a bottom plan view thereof.

1 Claim, 7 Drawing Sheets



(56)

References Cited

U.S. PATENT DOCUMENTS

D693,327	S *	11/2013	Chiu	D14/206
D705,750	S *	5/2014	Wu	H04R 1/1066
				D14/205
D717,276	S *	11/2014	Zhou	D14/205
D721,053	S *	1/2015	Fujioka	D14/205
D741,286	S *	10/2015	Brennwald	D14/205
D746,793	S *	1/2016	Logan	D14/206
D754,632	S *	4/2016	Matsumura	D14/205
D788,071	S *	5/2017	Logan	D14/205
D791,734	S *	7/2017	Ou	D14/206
D813,194	S *	3/2018	Loh	D14/205
D815,614	S *	4/2018	Tzeng	D14/205
D820,813	S *	6/2018	Sharp	D14/206
D824,362	S *	7/2018	Probst	D14/206
2005/0201569	A1 *	9/2005	Kuraoka	H04M 1/0289
				381/74
2008/0069391	A1 *	3/2008	Steyn	H04R 1/1025
				381/371
2009/0003616	A1 *	1/2009	Kleinschmidt	H04R 1/1066
				381/71.6

* cited by examiner



FIG.1



FIG.2



FIG.3

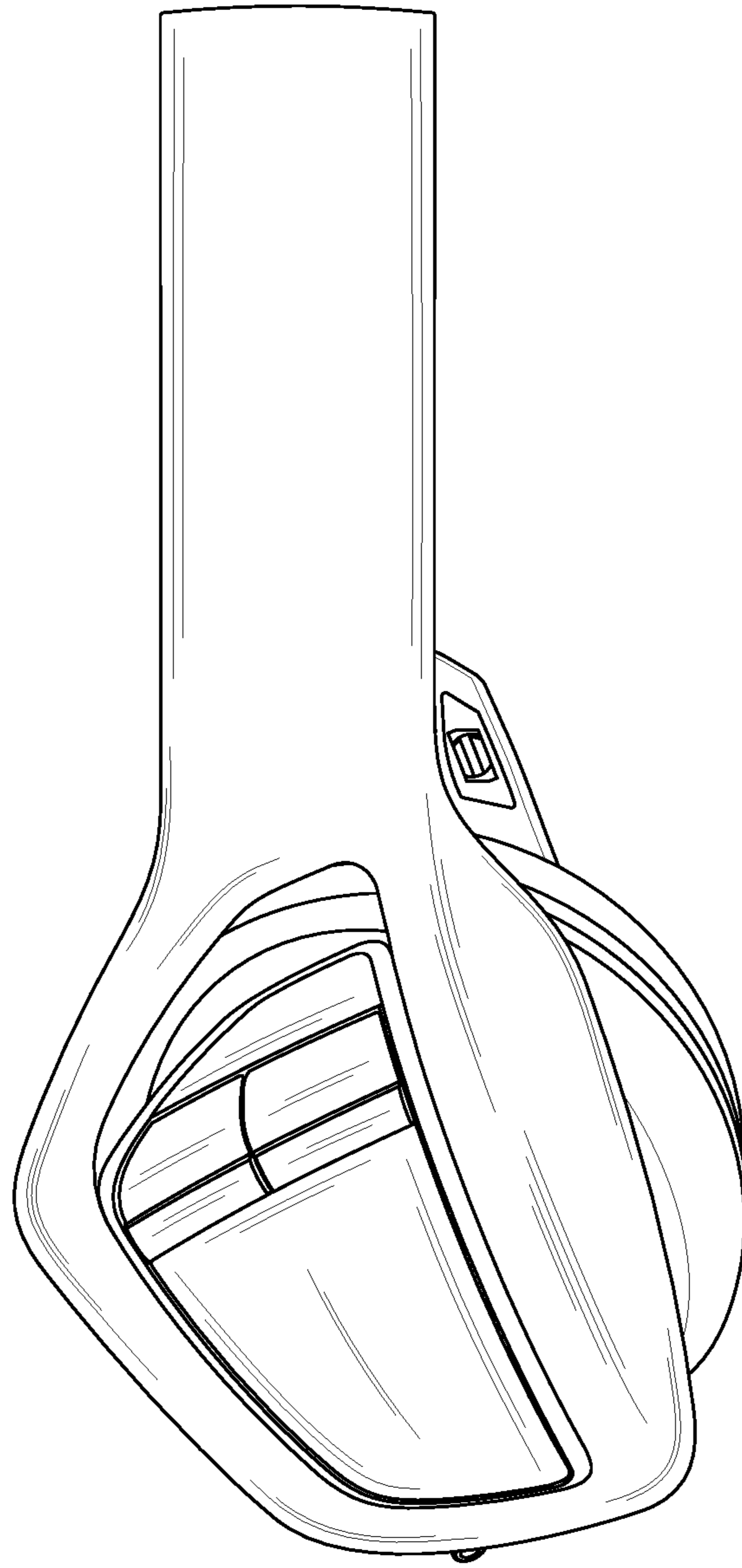


FIG.4

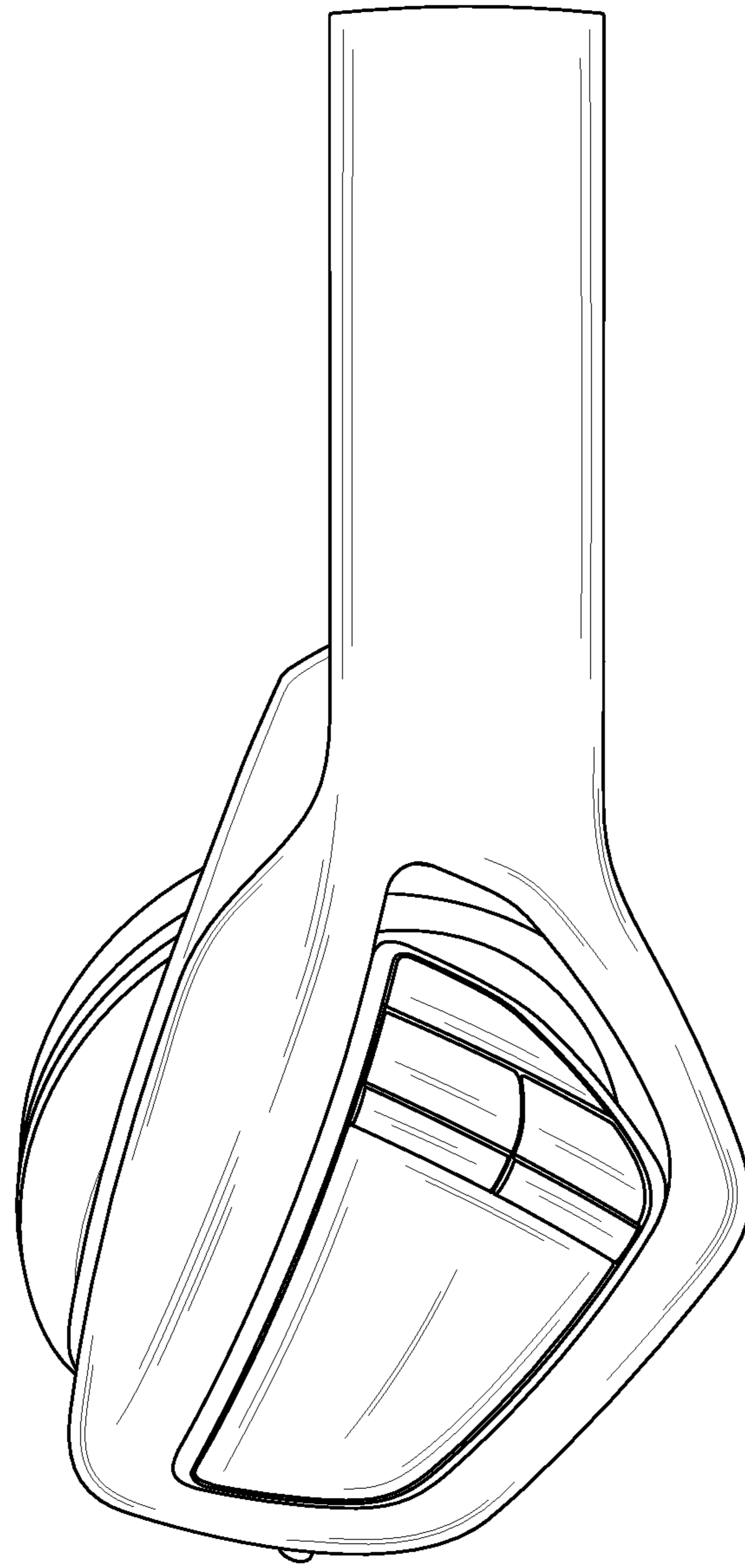


FIG.5

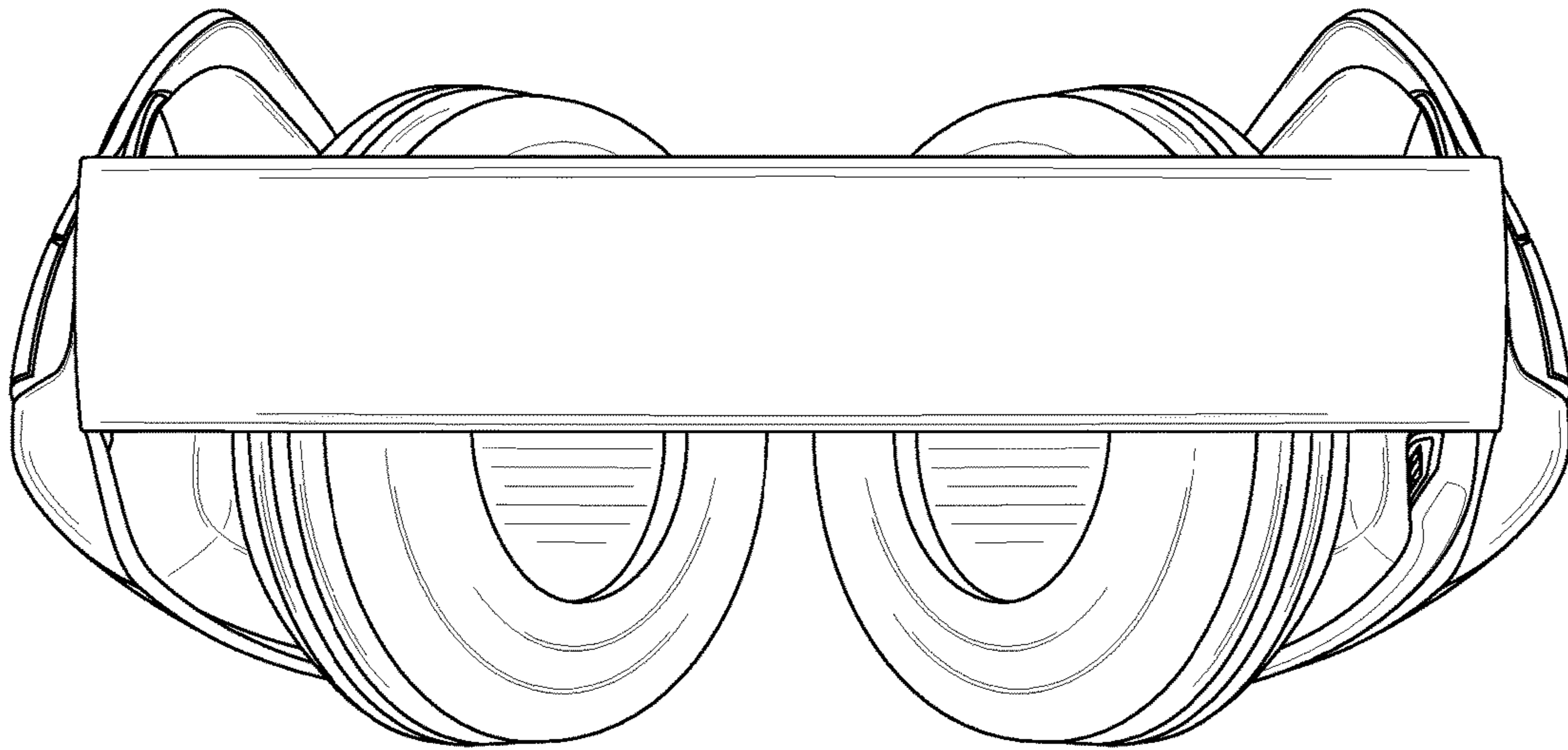


FIG.6

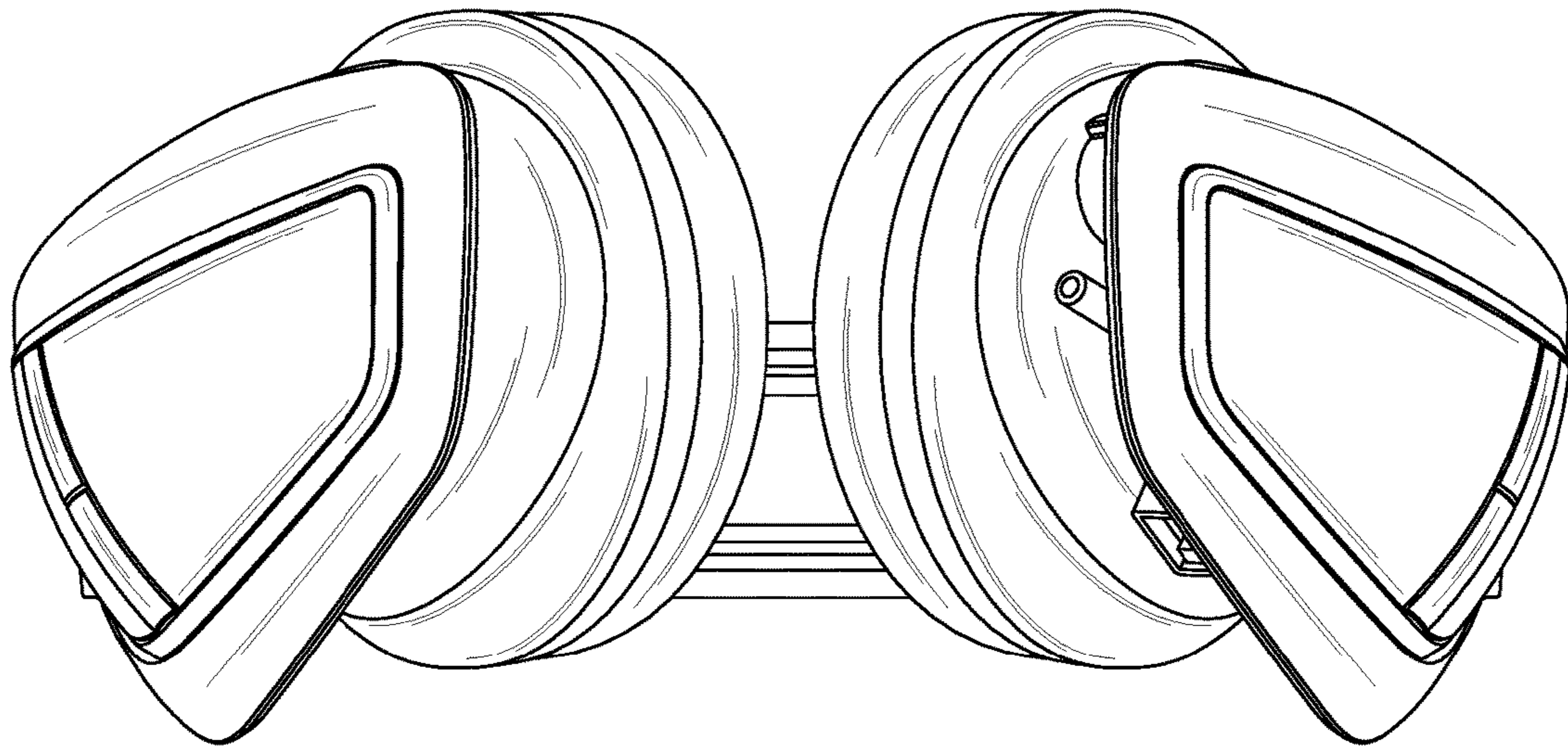


FIG.7