



US00D847778S

(12) **United States Design Patent**  
**Hardi**

(10) **Patent No.:** **US D847,778 S**

(45) **Date of Patent:** **\*\* May 7, 2019**

(54) **VIDEO/AUDIO ENABLED REMOVABLE INSERT FOR A HEADPHONE**

(71) Applicant: **Muzik, LLC**, Miami Beach, FL (US)

(72) Inventor: **Jason Hardi**, Miami Beach, FL (US)

(73) Assignee: **Muzik Inc.**, West Hollywood, CA (US)

(\*\*) Term: **15 Years**

(21) Appl. No.: **29/597,574**

(22) Filed: **Mar. 17, 2017**

(51) **LOC (11) Cl.** ..... **14-01**

(52) **U.S. Cl.**  
USPC ..... **D14/205**

(58) **Field of Classification Search**  
USPC ..... D14/205, 203, 223; D29/112; 2/209;  
181/129, 130, 135; 379/430, 431;  
381/380, 381, 374, 382, 327; 455/90.3,  
455/575.1, 569.1

CPC .... H04R 1/1066; H04R 1/1016; H04R 5/033;  
H04R 5/0335; H04R 25/00; H04R 25/02  
See application file for complete search history.

(56) **References Cited**

U.S. PATENT DOCUMENTS

D98,715 S *	2/1936	Engholm	.....	D14/219
D102,655 S *	1/1937	Nicholides	.....	D24/174
2,115,098 A *	4/1938	Engholm	.....	H04R 1/021
				181/150
2,678,973 A *	5/1954	Newman	.....	H04R 25/606
				381/151
2,890,297 A *	6/1959	Lehr	.....	H04R 1/08
				181/148
3,087,215 A *	4/1963	Tworek	.....	A44B 1/08
				24/113 R
4,385,209 A *	5/1983	Greason	.....	H04R 19/016
				307/400
5,018,599 A *	5/1991	Dohi	.....	H04R 1/1008
				181/129

5,033,094 A *	7/1991	Hung	.....	H04M 1/05
				381/379
5,117,464 A *	5/1992	Jones	.....	H04R 1/10
				181/129
D346,802 S *	5/1994	Sacherman	.....	D14/206
5,384,857 A *	1/1995	Nordin	.....	A61F 11/14
				381/374
D505,411 S *	5/2005	Sakai	.....	D14/192
D512,981 S *	12/2005	Jacobson	.....	D14/205
D517,043 S *	3/2006	Jacobson	.....	D14/205

(Continued)

*Primary Examiner* — Paula Allen Greene

(74) *Attorney, Agent, or Firm* — Stanek Lemon Crouse and Meeks, PA

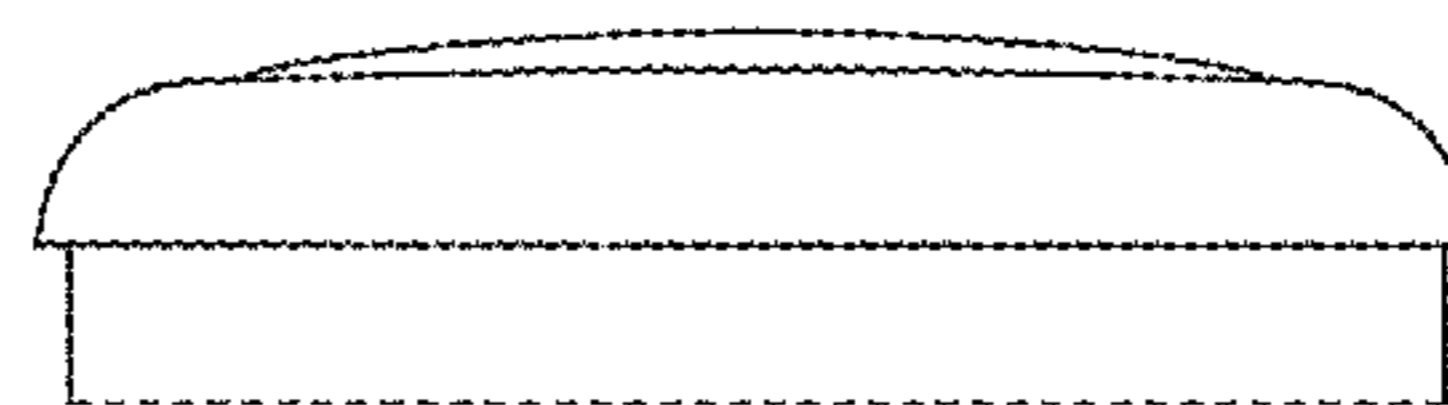
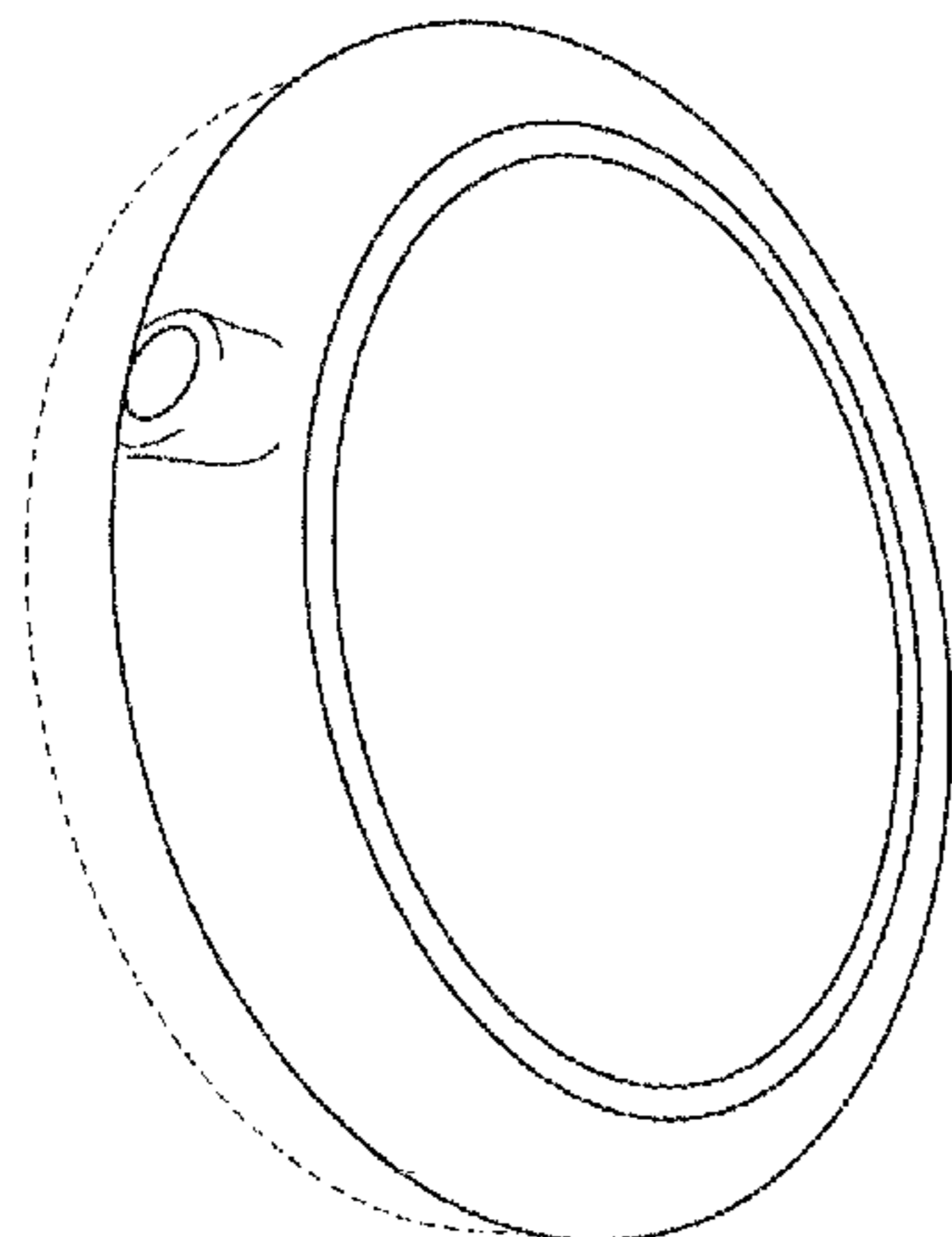
(57) **CLAIM**

The ornamental design for a video/audio enabled removable insert for a headphone, as shown and described.

**DESCRIPTION**

FIG. 1 is perspective view of a video/audio enabled removable insert for a headphone showing my design;  
 FIG. 2 is a top view thereof;  
 FIG. 3 is a bottom view thereof;  
 FIG. 4 is a first side view thereof;  
 FIG. 5 is a second side view thereof, opposite that shown in FIG. 4D;  
 FIG. 6 is an environmental view of the video/audio enabled removable insert for a headphone on a surface showing my design;  
 FIG. 7 is side view of the video/audio enabled removable insert for a headphone positioned in a headphone frame thereof; and,  
 FIG. 8 is a side view of the video/audio enabled removable insert for a headphone positioned in a video/audio enabled headphone system.  
 The broken lines depict environment that forms no part of the claimed design.

**1 Claim, 4 Drawing Sheets**



(56)

References Cited

U.S. PATENT DOCUMENTS

7,356,362 B2 *	4/2008	Chang	.....	H04R 1/1033					
				379/430					
D570,825 S *	6/2008	Schultz	.....	D14/205					
7,424,125 B2 *	9/2008	Amae	.....	H04R 5/0335					
				381/370					
7,717,226 B2 *	5/2010	Purcell	.....	A61F 11/14					
				181/129					
D625,709 S *	10/2010	Yamamoto	.....	D14/223					
D632,668 S *	2/2011	Brunner	.....	D14/205					
D635,959 S *	4/2011	Hutchieson	.....	D14/205					
D637,997 S *	5/2011	Peller	.....	D14/205					
7,978,870 B2 *	7/2011	Cozens	.....	H01H 9/0235					
				381/370					
8,098,872 B2 *	1/2012	Chang	.....	H04R 1/1075					
				381/370					
D659,116 S *	5/2012	Iseki	.....	D14/205					
D663,717 S *	7/2012	Hutchieson	.....	D14/206					
D667,815 S *	9/2012	Chiu	.....	D14/206					
D673,136 S *	12/2012	Kelly	.....	D14/205					
D674,767 S *	1/2013	Brunner	.....	D14/205					
D683,329 S *	5/2013	Hagelin	.....	D14/205					
D696,226 S *	12/2013	Brunner	.....	H04R 5/033					
				D14/205					
8,638,969 B2 *	1/2014	Kuhtz	.....	H04R 1/1008					
				381/371					
9,031,275 B2 *	5/2015	Brodsgaard	.....	H04R 1/105					
				381/370					
D738,350 S *	9/2015	Brunner	.....	D14/205					
D760,687 S *	7/2016	Brunner	.....	D14/205					
D776,081 S *	1/2017	Willman	.....	D14/205					
D776,082 S *	1/2017	Willman	.....	D14/205					
D791,733 S *	7/2017	Brunner	.....	D14/205					
D809,478 S *	2/2018	Arimoto	.....	D14/205					
D812,589 S *	3/2018	Wernblad	.....	D14/205					
2004/0125877 A1 *	7/2004	Chang	.....	G06F 17/30787					
				375/240.28					
2013/0177195 A1 *	7/2013	Sze	.....	H04R 1/1033					
				381/384					

\* cited by examiner

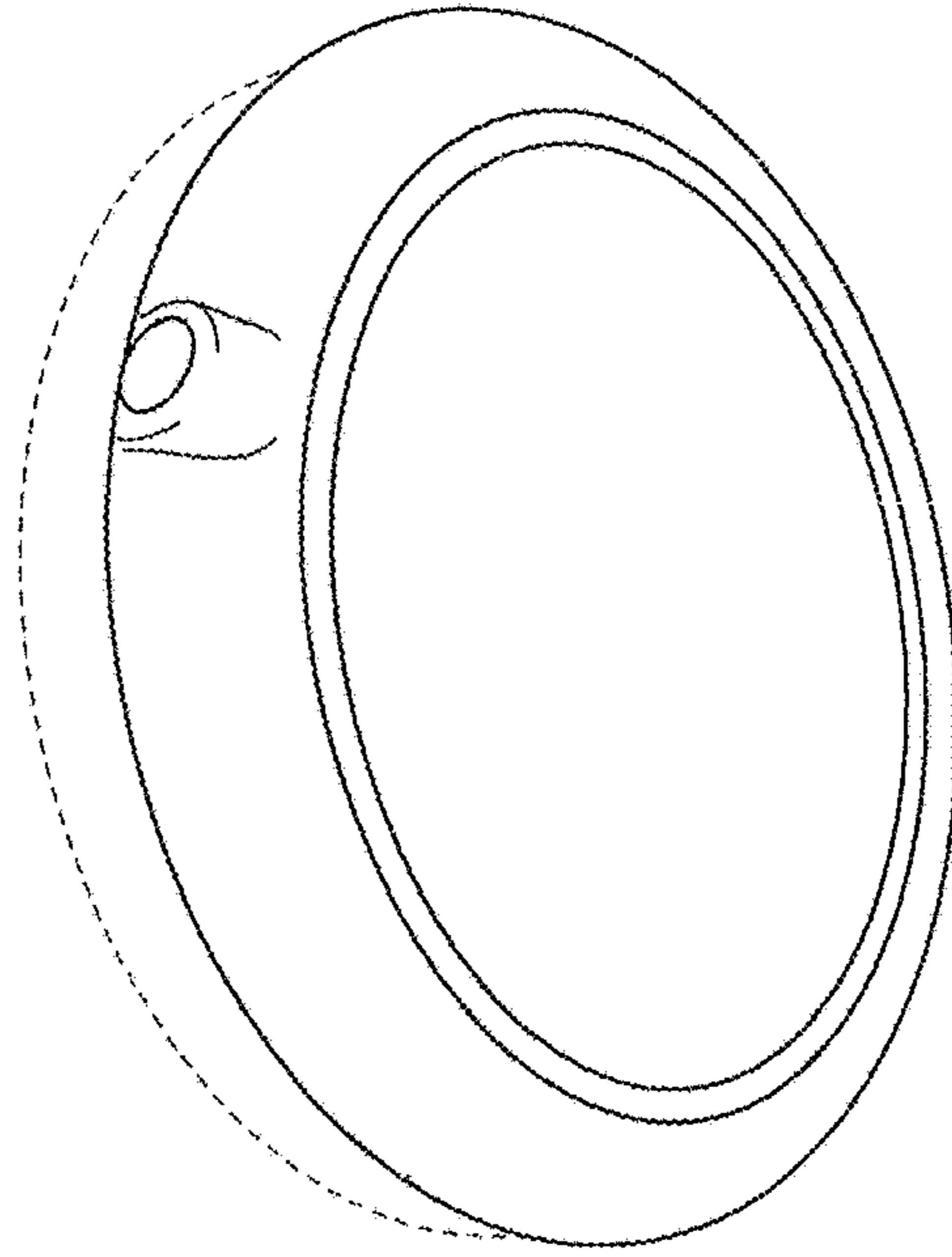


FIG. 1

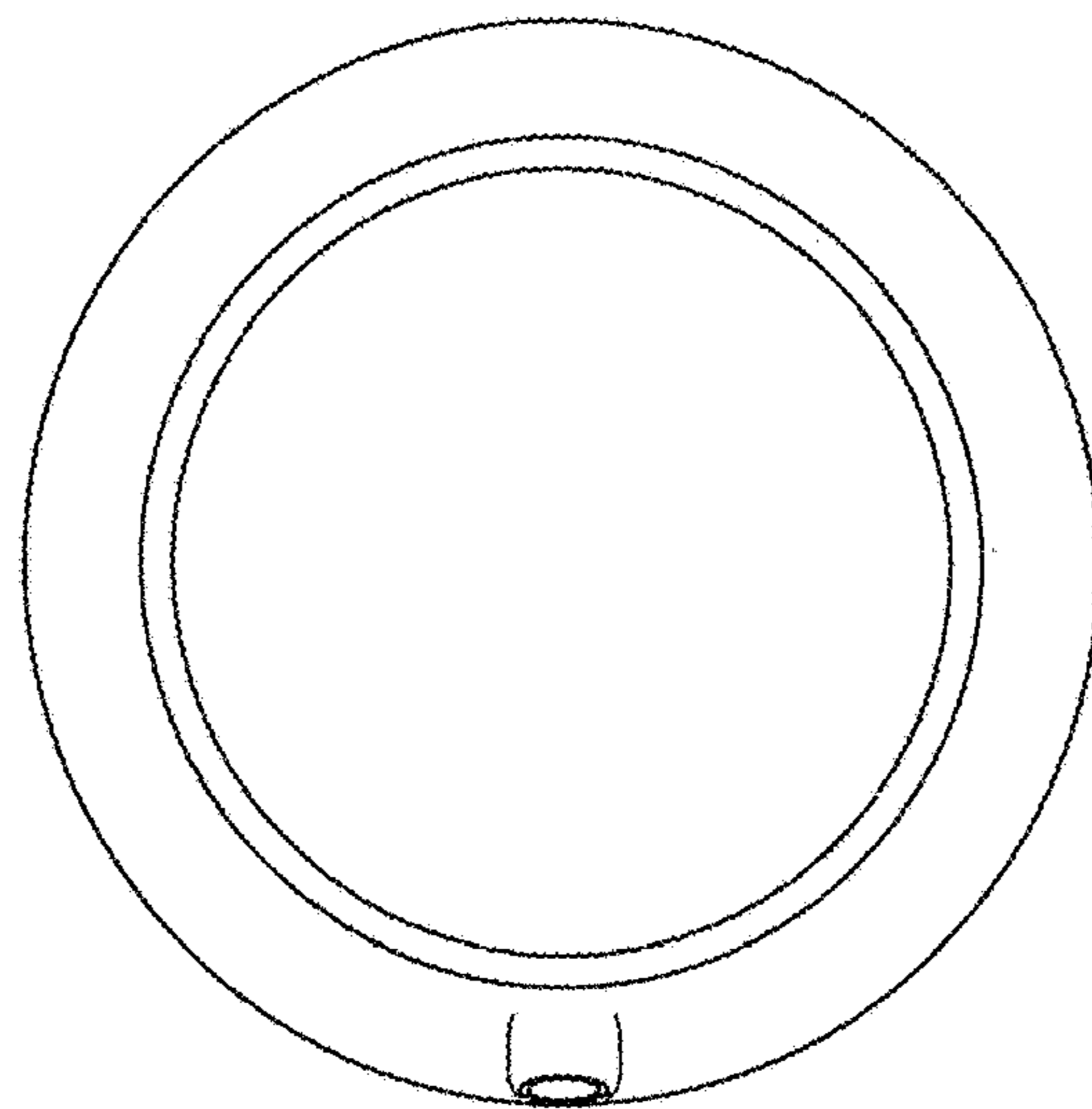


FIG. 2

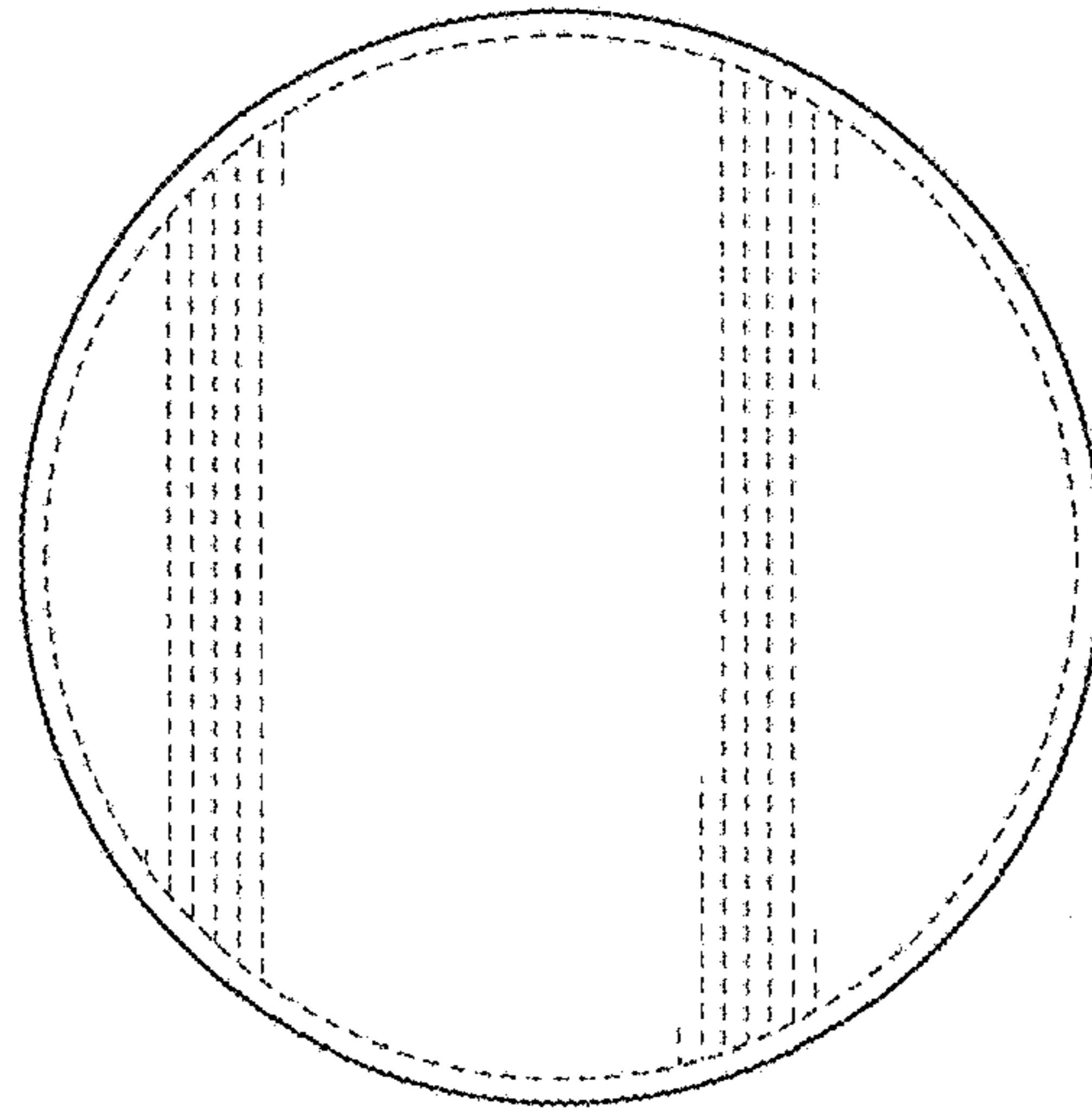


FIG. 3

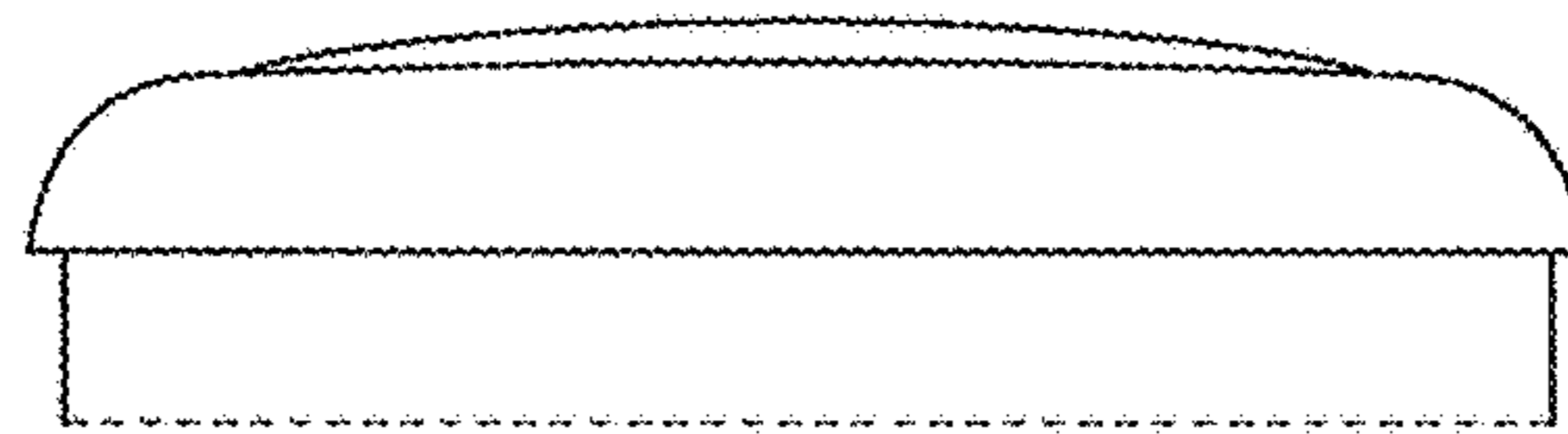


FIG. 4

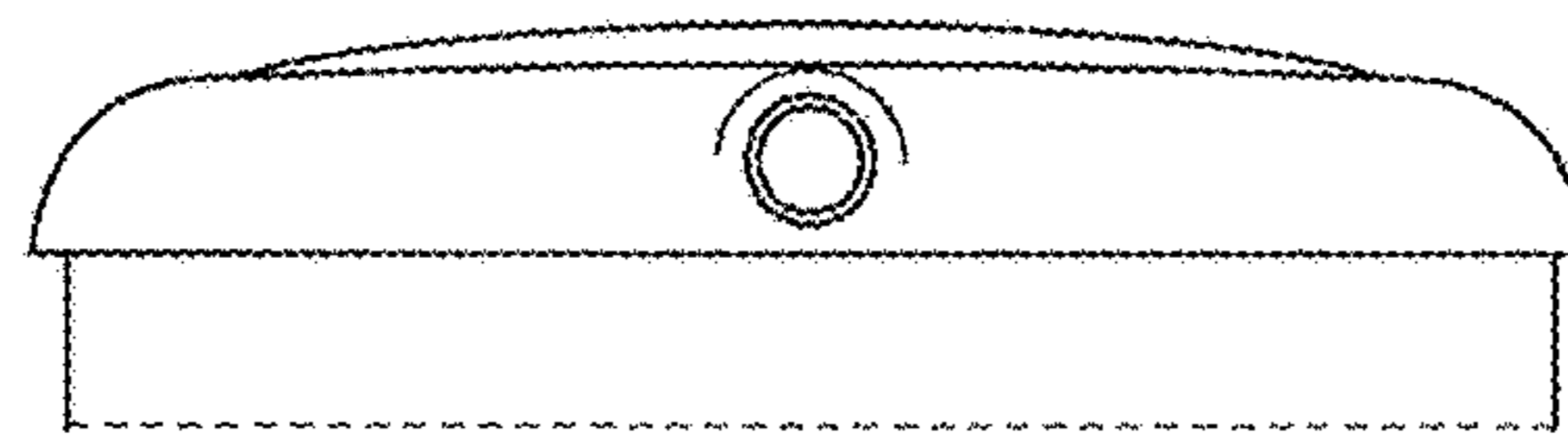


FIG. 5

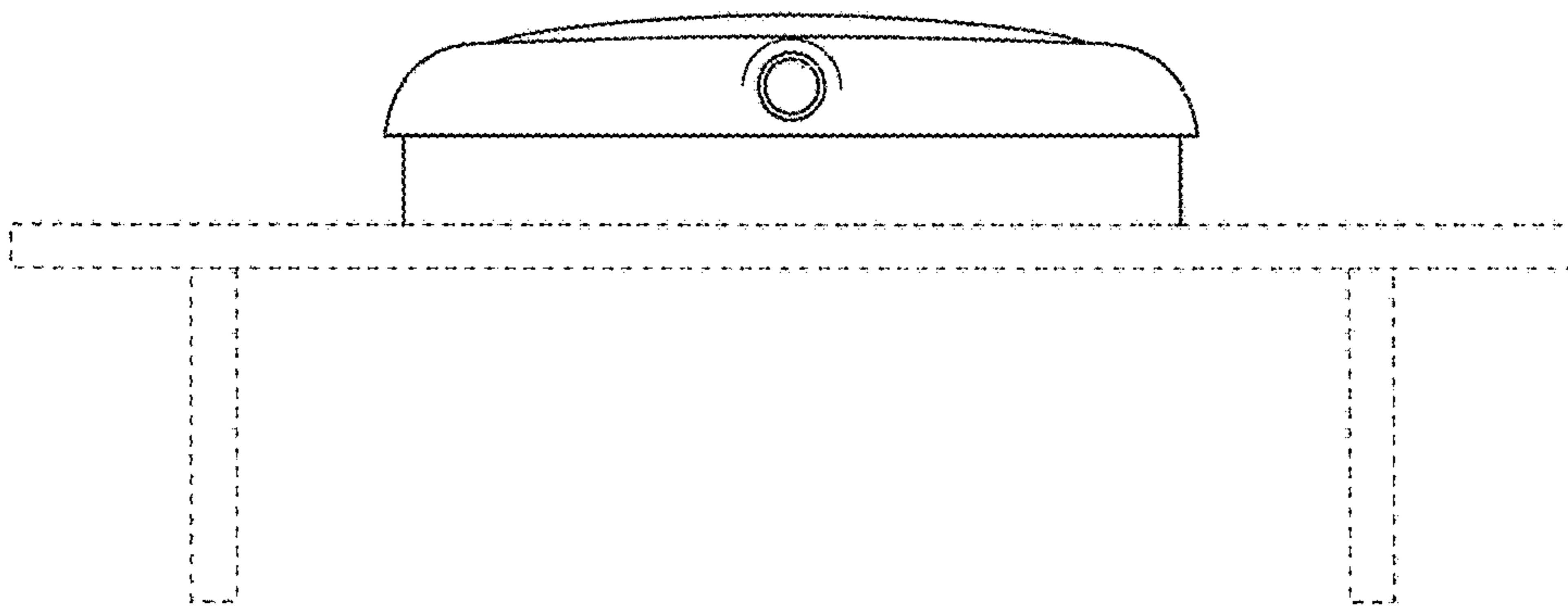


FIG. 6

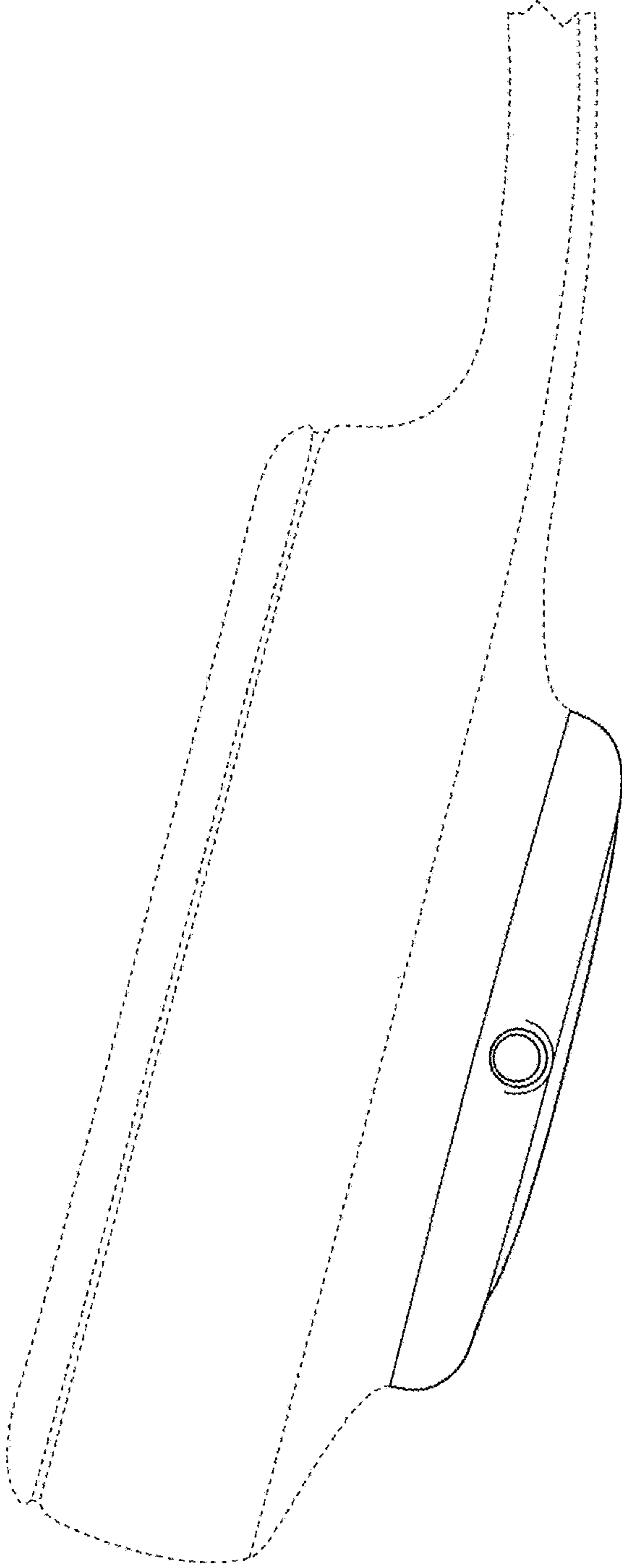


FIG. 7

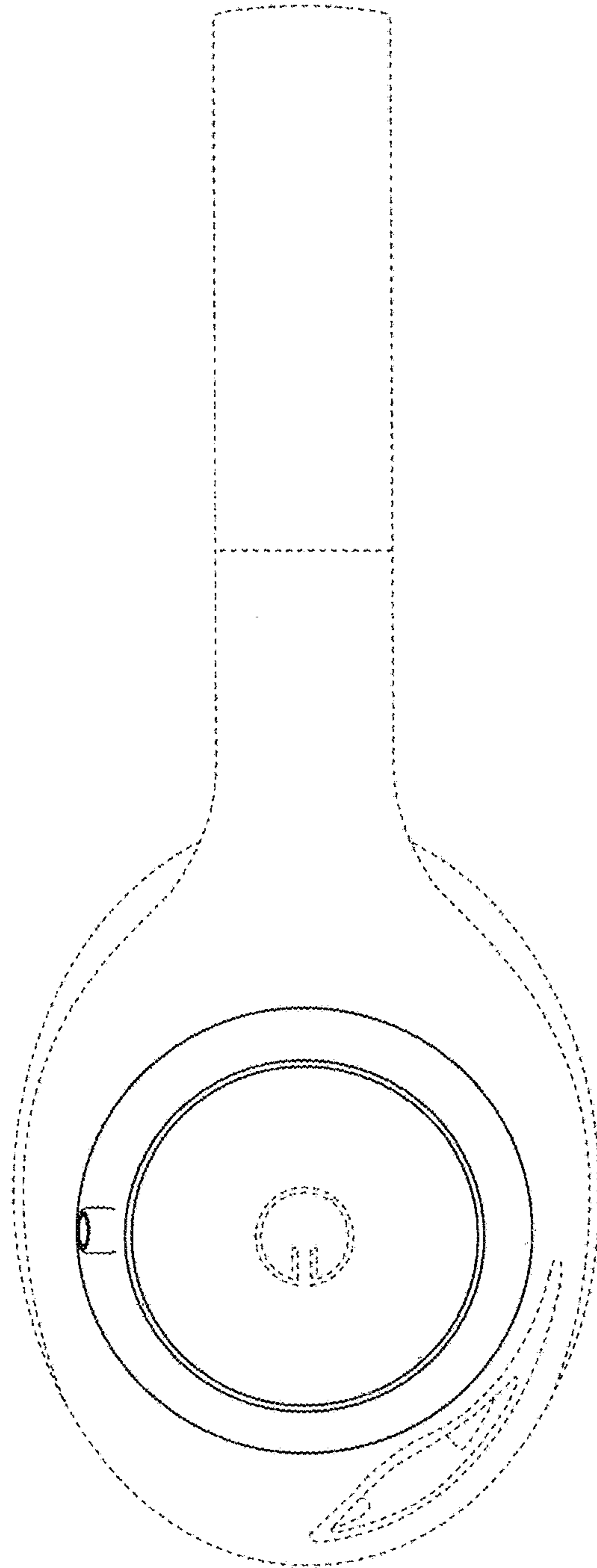


FIG. 8



UNITED STATES PATENT AND TRADEMARK OFFICE  
**CERTIFICATE OF CORRECTION**

PATENT NO. : D847,778 S  
APPLICATION NO. : 29/597574  
DATED : May 7, 2019  
INVENTOR(S) : Jason Hardi

Page 1 of 1

It is certified that error appears in the above-identified patent and that said Letters Patent is hereby corrected as shown below:

Under the Description Heading:

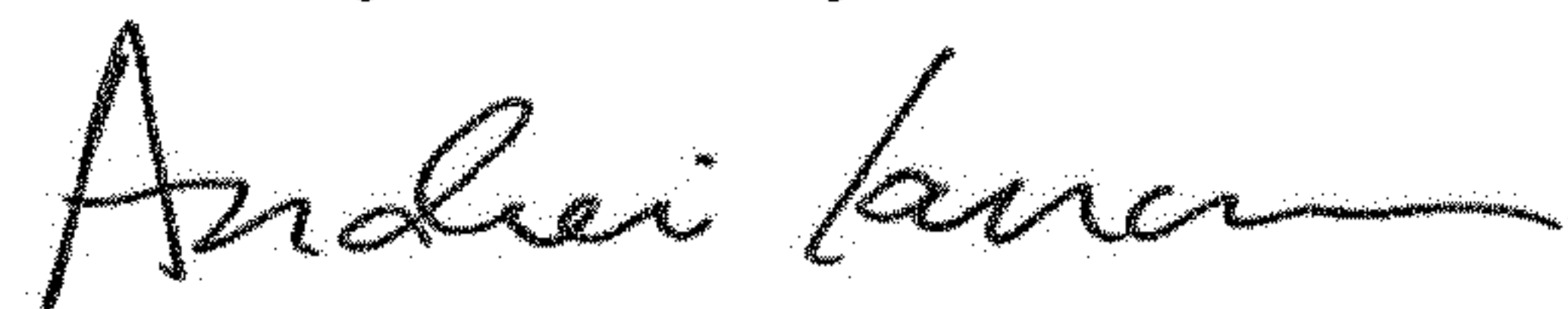
For FIG. 5, please change "FIG. 4D" to -- FIG. 3 --.

For FIG. 6, please delete "for a headphone".

For FIG. 7, please delete "for a headphone".

For FIG. 8, please delete "for a headphone".

Signed and Sealed this  
Twenty-fifth Day of June, 2019



Andrei Iancu  
*Director of the United States Patent and Trademark Office*