

US00D847771S

(12) **United States Design Patent** (10) **Patent No.:** **US D847,771 S**  
**Won et al.** (45) **Date of Patent:** **\*\* May 7, 2019**

(54) **TELEVISION**  
(71) Applicant: **LG ELECTRONICS INC.**, Seoul (KR)  
(72) Inventors: **Hyojin Won**, Seoul (KR); **Hyeyoung Hong**, Seoul (KR); **Yongho Lee**, Seoul (KR); **Youngkyoung Kim**, Seoul (KR)  
(73) Assignee: **LG ELECTRONICS INC.**, Seoul (KR)  
(\*\*) Term: **15 Years**  
(21) Appl. No.: **35/504,043**  
(22) Filed: **May 25, 2017**  
(80) **Hague Agreement Data**  
Int. Filing Date: **May 25, 2017**  
Int. Reg. No.: **DM/096320**  
Int. Reg. Date: **May 25, 2017**  
Int. Reg. Pub. Date: **Dec. 1, 2017**

(30) **Foreign Application Priority Data**  
Nov. 25, 2016 (KR) ..... 30-2016-0056896  
(51) **LOC (11) Cl.** ..... **14-03**  
(52) **U.S. Cl.**  
USPC ..... **D14/126**  
(58) **Field of Classification Search**  
USPC ..... D14/125-134, 136, 159, 239, 336, 342, D14/371, 374-377, 440, 448, 450; D21/329, 515, 577, 622  
CPC ... G06F 1/1601; G06F 1/1643; H05K 5/0004; H05K 5/0017; H05K 5/02; H05K 5/0217  
See application file for complete search history.

(56) **References Cited**  
U.S. PATENT DOCUMENTS  
D682,232 S \* 5/2013 Lee ..... D14/126  
D699,205 S \* 2/2014 Kim ..... D14/126

D709,470 S \* 7/2014 Ryu ..... D14/126  
D720,316 S \* 12/2014 Huh ..... D14/126  
D727,865 S \* 4/2015 Moon ..... D14/126  
D737,792 S \* 9/2015 Park ..... D14/126  
D738,335 S \* 9/2015 Shin ..... D14/126  
D746,243 S \* 12/2015 Gao ..... D14/126  
D750,584 S \* 3/2016 Lee ..... D14/126  
D754,620 S \* 4/2016 Shin ..... D14/126  
D759,608 S \* 6/2016 Kim ..... D14/126  
D759,619 S \* 6/2016 Seo ..... D14/126  
D763,812 S \* 8/2016 Wang ..... D14/126  
D766,852 S \* 9/2016 Seo ..... D14/126  
D795,852 S \* 8/2017 Park ..... D14/126  
D800,101 S \* 10/2017 Park ..... D14/239  
D819,583 S \* 6/2018 Lee ..... D14/126  
D819,588 S \* 6/2018 Ryu ..... D14/126  
D819,614 S \* 6/2018 Lee ..... D14/239  
D820,229 S \* 6/2018 Cha ..... D14/126

(Continued)

*Primary Examiner* — Karen E Kearney  
*Assistant Examiner* — Bao-Yen T Nguyen  
(74) *Attorney, Agent, or Firm* — Birch, Stewart, Kolasch & Birch, LLP

(57) **CLAIM**

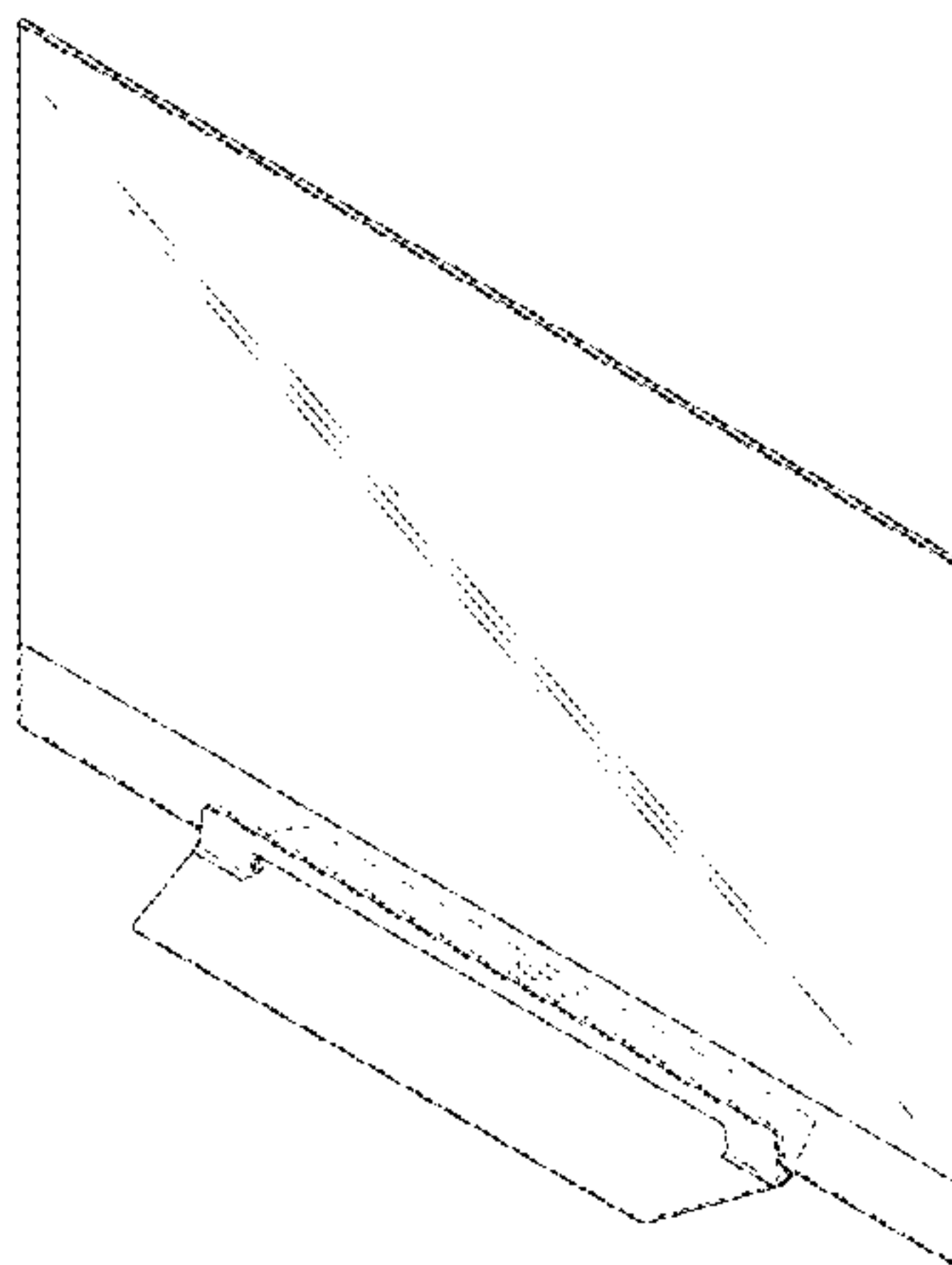
The ornamental design for a television, as shown and described.

**DESCRIPTION**

- 1. Television
- 1.1 : Perspective
- 1.2 : Front
- 1.3 : Back
- 1.4 : Left
- 1.5 : Right
- 1.6 : Top
- 1.7 : Bottom
- 1.8 : Enlarged

The dash-dot broken lines in 1.8 are included to show a partially enlarged view of 1.1 and form no part of the claimed design.

**1 Claim, 8 Drawing Sheets**



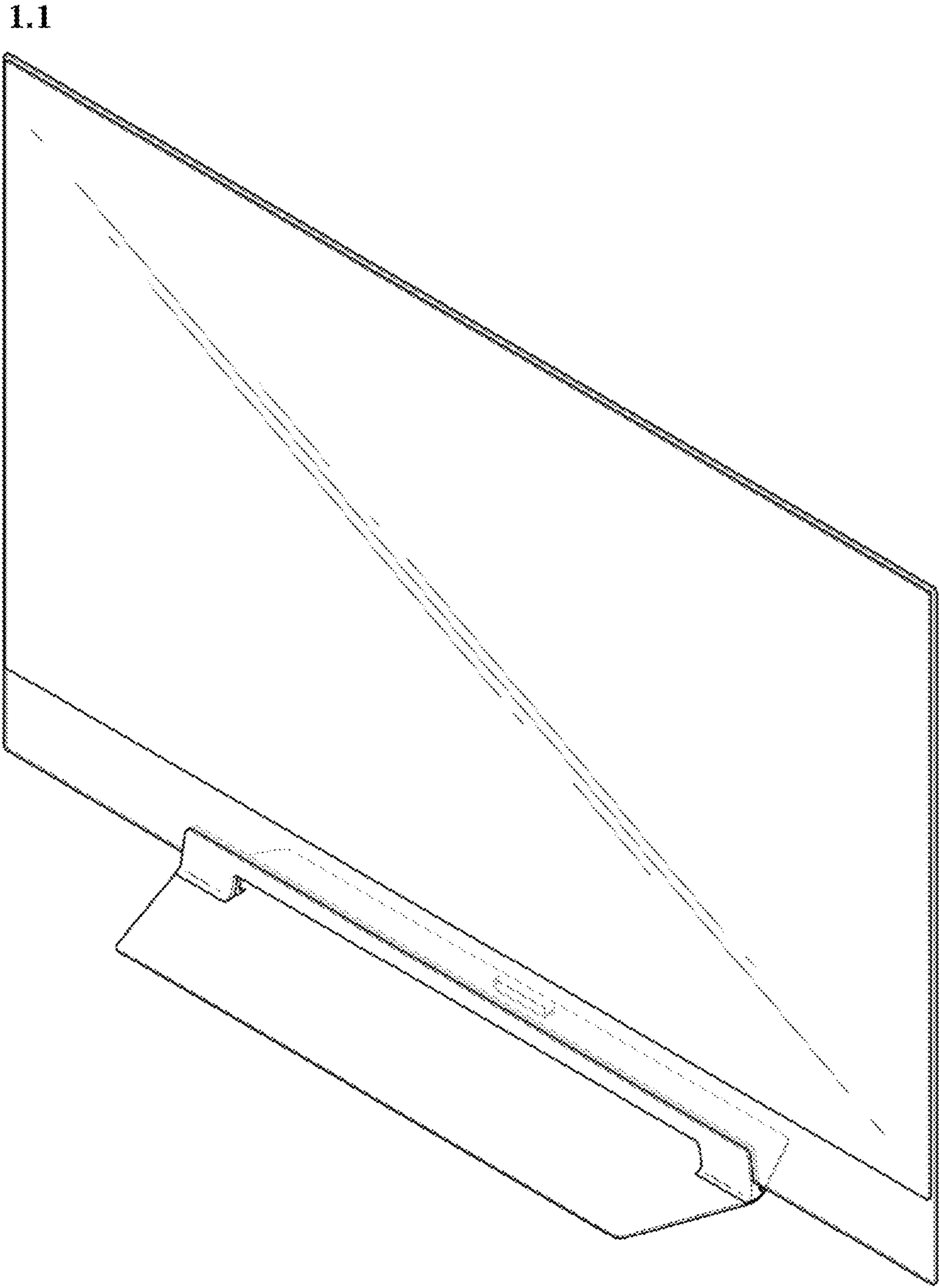
(56)

**References Cited**

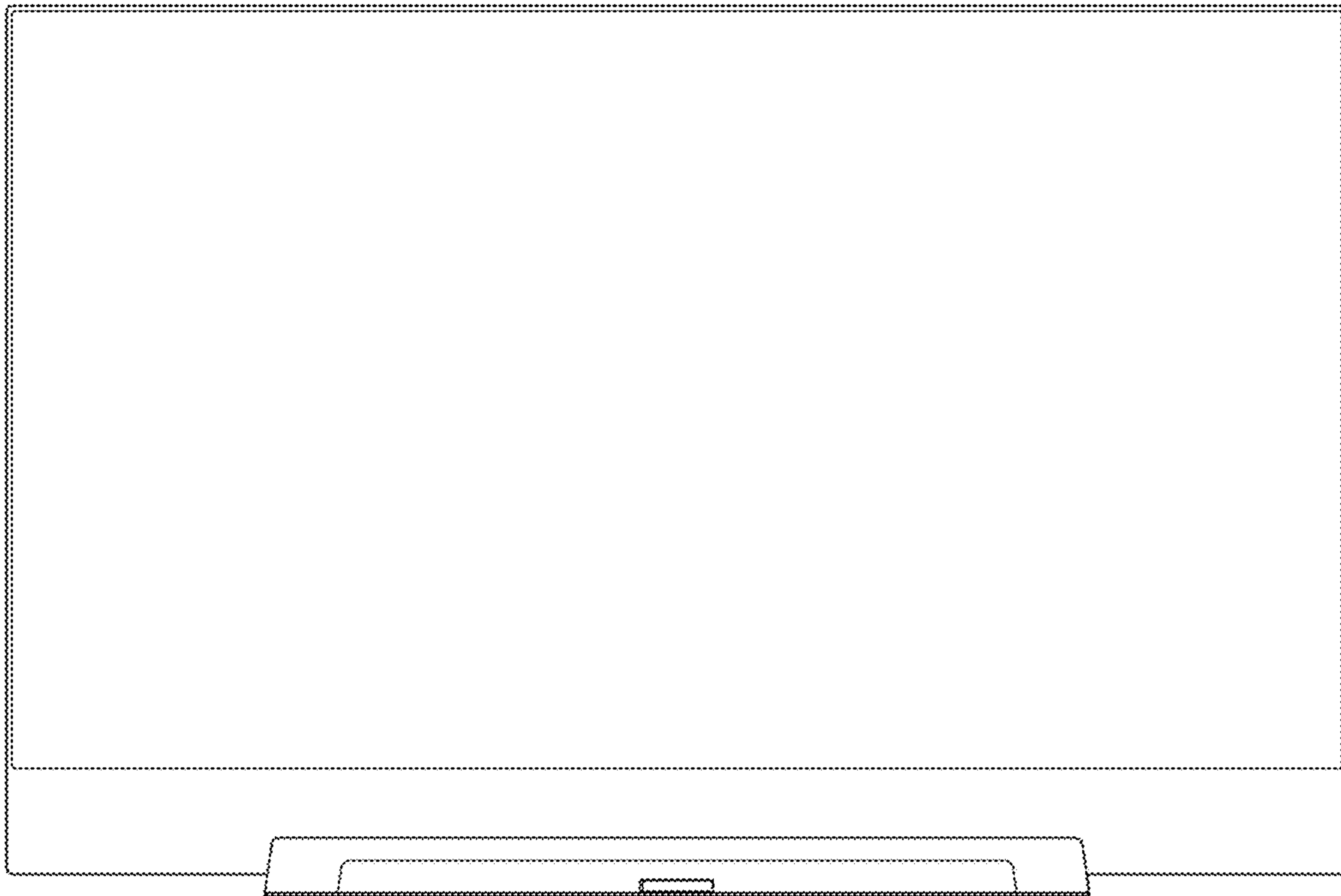
U.S. PATENT DOCUMENTS

D823,824 S *	7/2018	Won .....	D14/126
D826,197 S *	8/2018	Cha .....	D14/126
D826,199 S *	8/2018	Kim .....	D14/126
D826,882 S *	8/2018	Han .....	D14/126
D826,886 S *	8/2018	Cha .....	D14/126

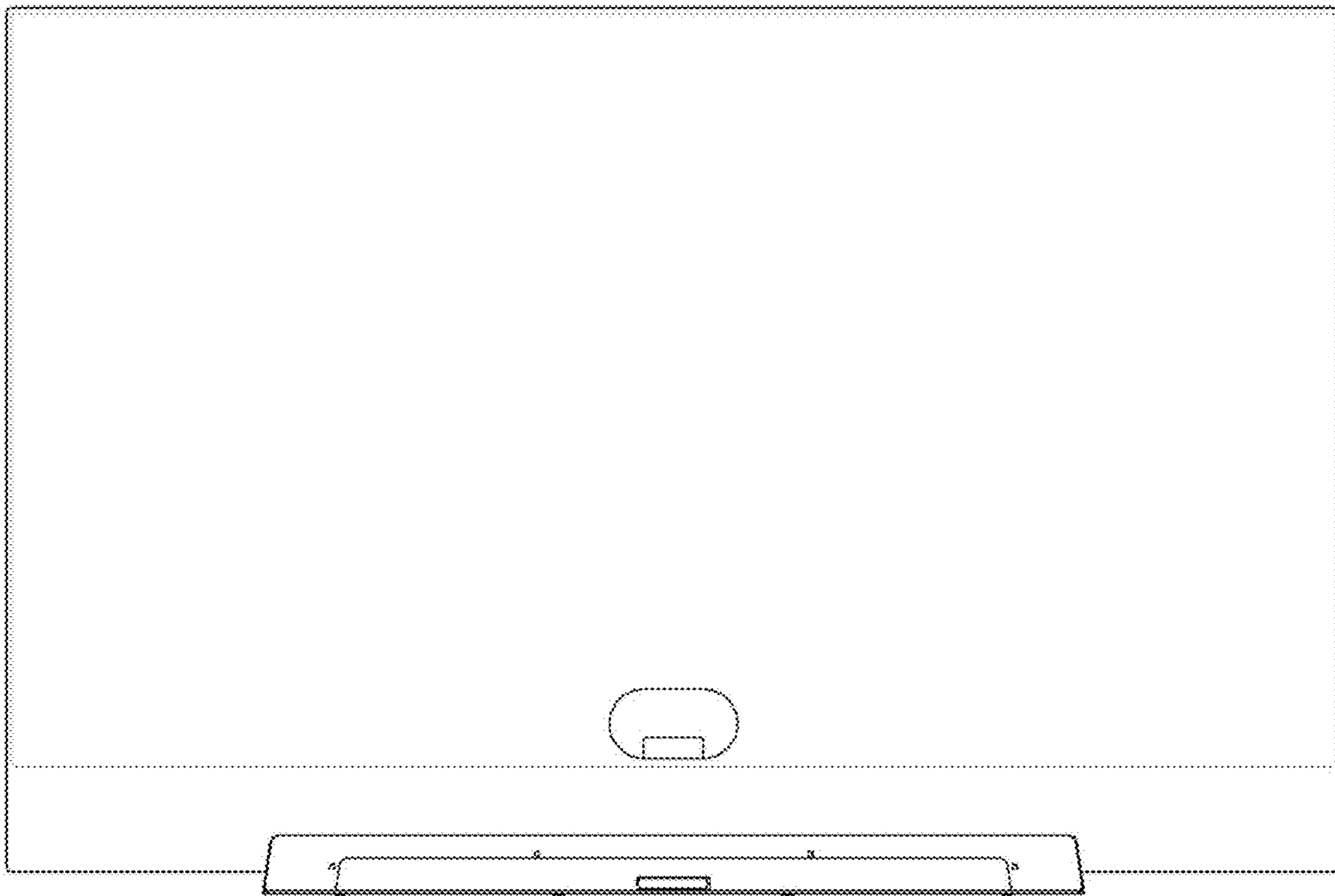
\* cited by examiner



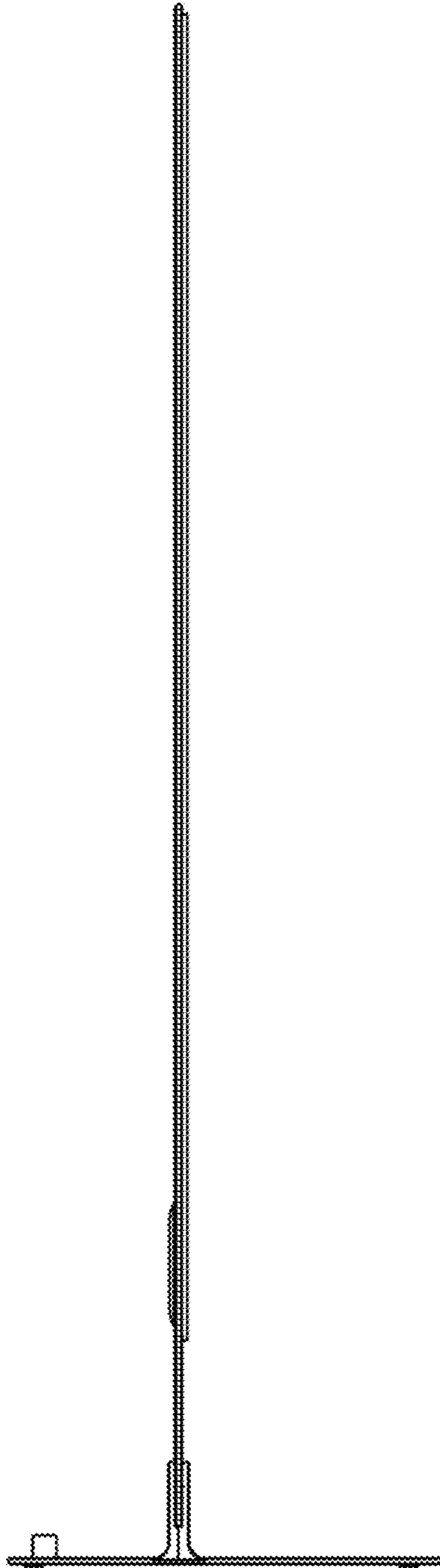
1.2



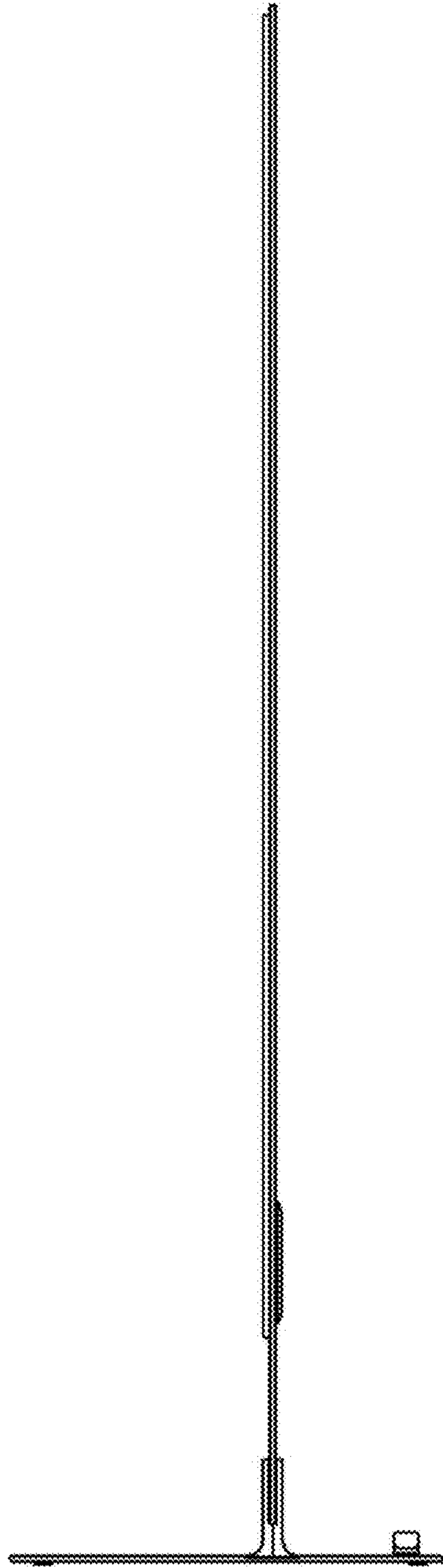
1.3



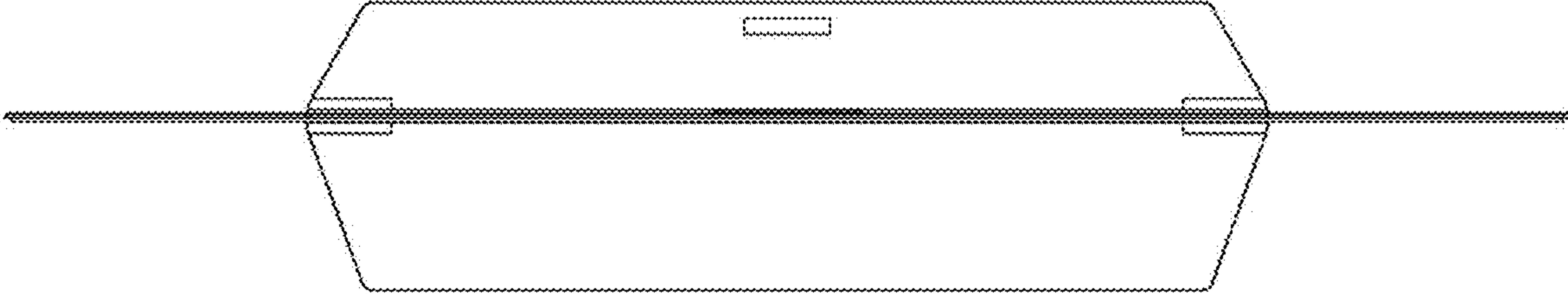
1.4



1.5

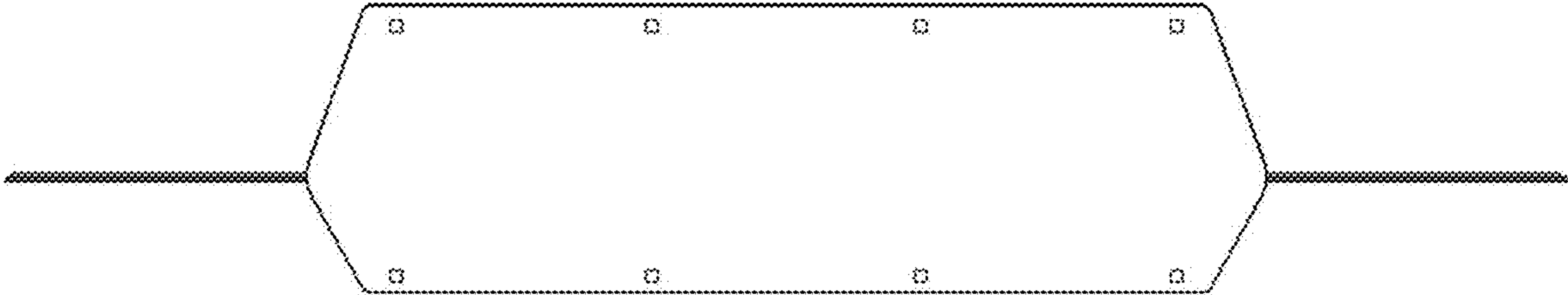


1.6





1.7



1.8

