



US00D847769S

(12) **United States Design Patent**  
**Iino**

(10) **Patent No.:** **US D847,769 S**

(45) **Date of Patent:** **\*\* \*May 7, 2019**

(54) **LIGHT EMITTING DIODE**

(71) Applicants: **CITIZEN ELECTRONICS CO., LTD.**, Fujiyoshida-shi, Yamanashi (JP); **CITIZEN WATCH CO., LTD.**, Tokyo (JP)

(72) Inventor: **Takashi Iino**, Fuefuki (JP)

(73) Assignees: **CITIZEN ELECTRONICS CO., LTD.**, Yamanashi (JP); **CITIZEN WATCH CO., LTD.**, Tokyo (JP)

(\*) Notice: This patent is subject to a terminal disclaimer.

(\*\*) Term: **15 Years**

(21) Appl. No.: **29/612,171**

(22) Filed: **Jul. 28, 2017**

(30) **Foreign Application Priority Data**

Jan. 31, 2017 (JP) ..... 2017-001699  
Jan. 31, 2017 (JP) ..... 2017-001700

(51) **LOC (11) Cl.** ..... **13-03**

(52) **U.S. Cl.**  
USPC ..... **D13/180**

(58) **Field of Classification Search**  
USPC ..... D13/180; D26/1  
CPC ... H01L 25/167; H01L 25/0753; H01L 27/15;  
H01L 27/156; H01L 31/02; H01L 33/00;  
H01L 33/04; H01L 33/08; H01L 33/10;  
H01L 33/20; H01L 33/38; H01L 33/42;  
H01L 33/48; H01L 33/483; H01L 33/486  
See application file for complete search history.

(56) **References Cited**

**U.S. PATENT DOCUMENTS**

D573,553 S 7/2008 Uemoto et al.  
D650,760 S 12/2011 Hussell et al.

D667,803 S 9/2012 Hussell et al.  
D669,041 S 10/2012 Imai et al.  
D676,000 S 2/2013 Hussell et al.  
D689,451 S 9/2013 Shimonishi et al.  
D698,322 S 1/2014 Takeda et al.  
D700,585 S 3/2014 Takeda et al.  
D706,231 S 6/2014 Hussell et al.  
D707,192 S \* 6/2014 Hussell ..... D13/180  
D709,041 S \* 7/2014 Yu ..... D13/180  
D712,850 S 9/2014 Welch et al.  
D717,252 S 11/2014 Takeda et al.  
D721,339 S 1/2015 Hussell et al.  
9,029,905 B2 \* 5/2015 Lin ..... H01L 33/52  
257/99  
9,130,140 B2 \* 9/2015 Tsuchiya ..... H01L 33/641  
9,203,004 B2 \* 12/2015 Hussell ..... H01L 25/0753

(Continued)

**FOREIGN PATENT DOCUMENTS**

JP HJ2305334900 11/2011

**OTHER PUBLICATIONS**

Design U.S. Appl. No. 29/611,375, filed Jul. 20, 2017.

*Primary Examiner* — Selina Sikder  
(74) *Attorney, Agent, or Firm* — Procopio, Cory,  
Hargreaves & Savitch LLP

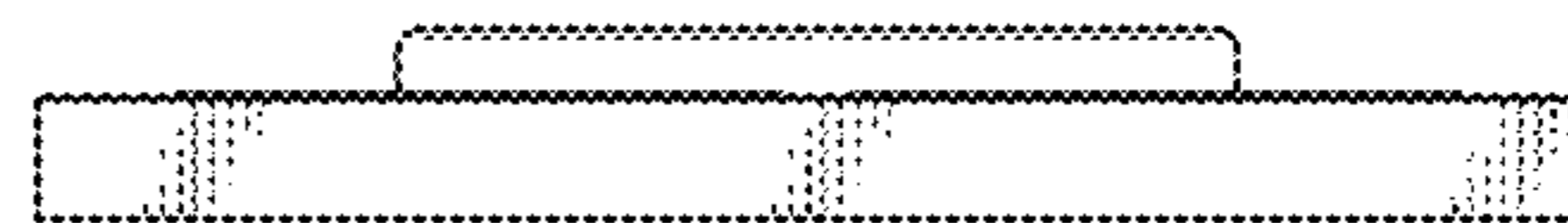
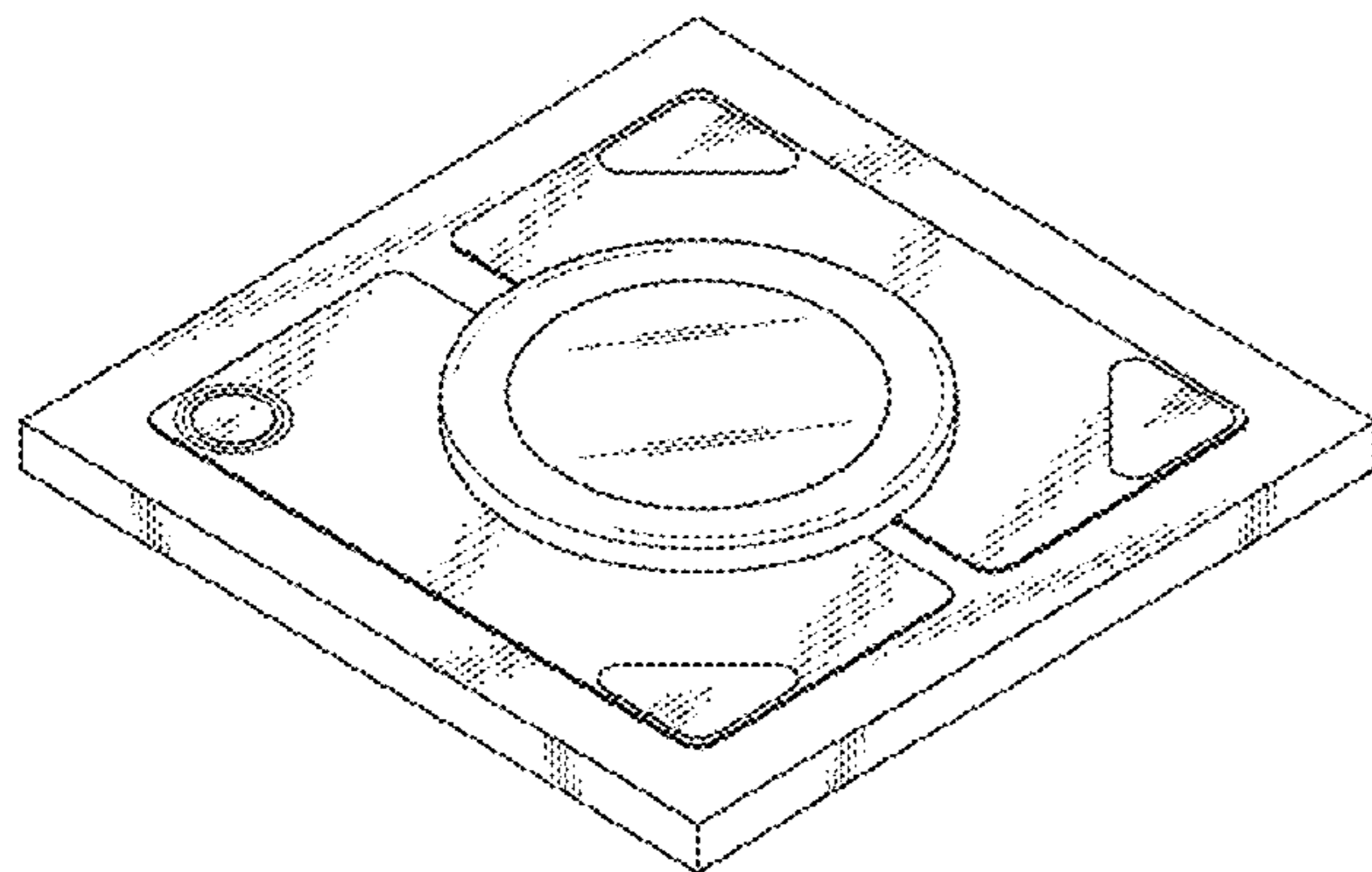
(57) **CLAIM**

The ornamental design for a light emitting diode, as shown and described.

**DESCRIPTION**

FIG. 1 is a perspective view of a light emitting diode showing my new design;  
FIG. 2 is a top plan view thereof;  
FIG. 3 is a front elevational view thereof;  
FIG. 4 is a rear elevational view thereof;  
FIG. 5 is a left side elevational view thereof;  
FIG. 6 is a right side elevational view thereof; and,  
FIG. 7 is a bottom plan view thereof.

**1 Claim, 4 Drawing Sheets**



(56)

**References Cited**

U.S. PATENT DOCUMENTS

9,209,354 B2 \* 12/2015 Hussell ..... H01L 25/0753  
D767,515 S \* 9/2016 Eguchi ..... D13/180  
D770,062 S \* 10/2016 Peng ..... D13/180  
D771,282 S \* 11/2016 Takehara ..... D13/180  
D776,304 S \* 1/2017 Kuriki ..... D13/180  
D778,246 S \* 2/2017 Kuriki ..... D13/180  
D788,720 S \* 6/2017 Akiyama ..... D13/180  
D796,457 S \* 9/2017 Funakubo ..... D13/180  
D816,623 S \* 5/2018 Parekh ..... D13/182  
2007/0246730 A1 \* 10/2007 Oishi ..... H01L 33/64  
257/99  
2010/0320483 A1 \* 12/2010 Kadotani ..... F21K 9/00  
257/88  
2015/0146425 A1 \* 5/2015 Huang ..... F21K 9/00  
362/249.02

\* cited by examiner

FIG. 1

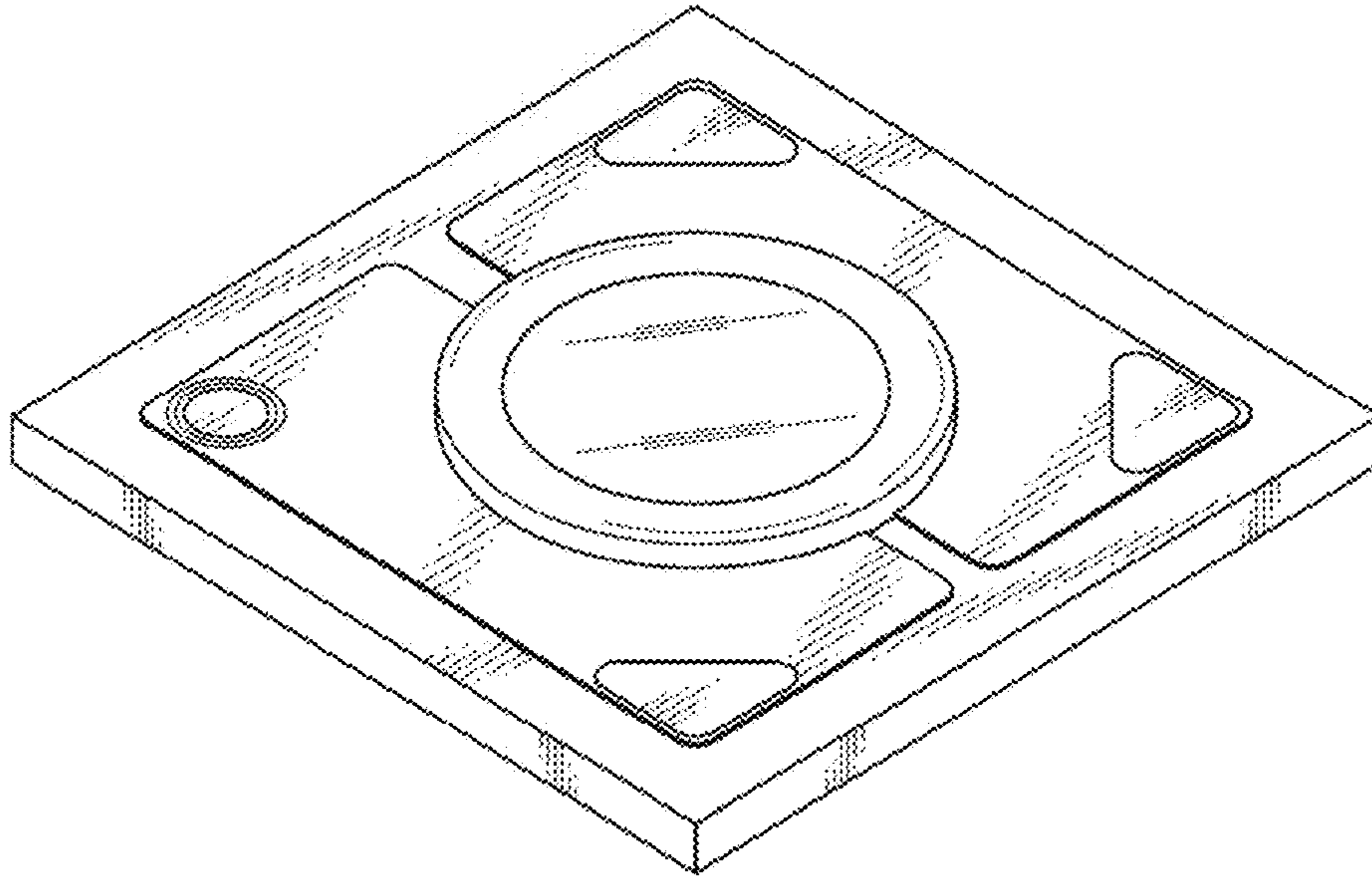


FIG. 2

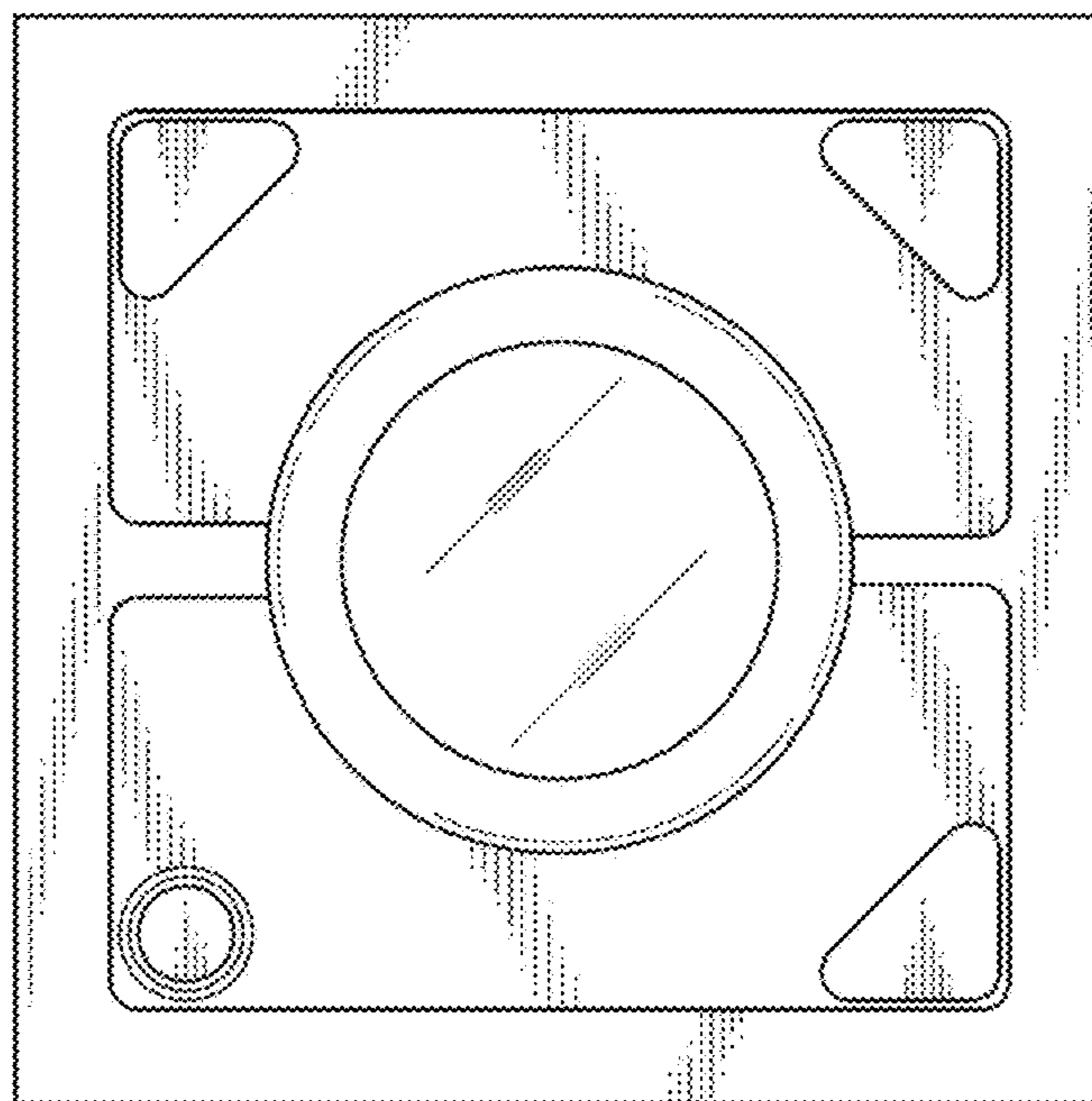


FIG. 3

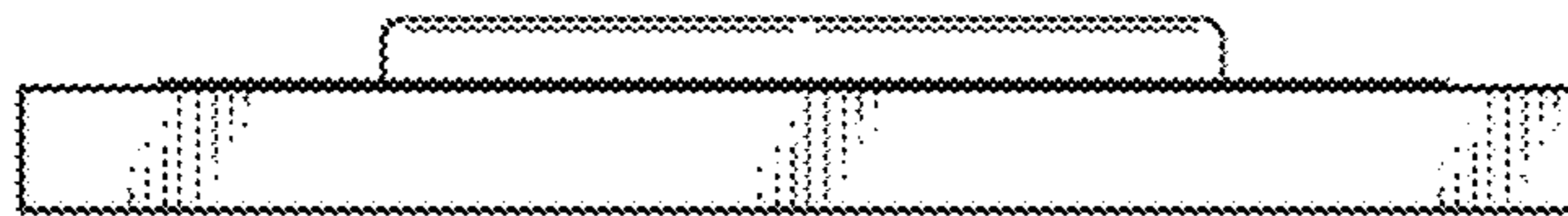


FIG. 4



FIG. 5

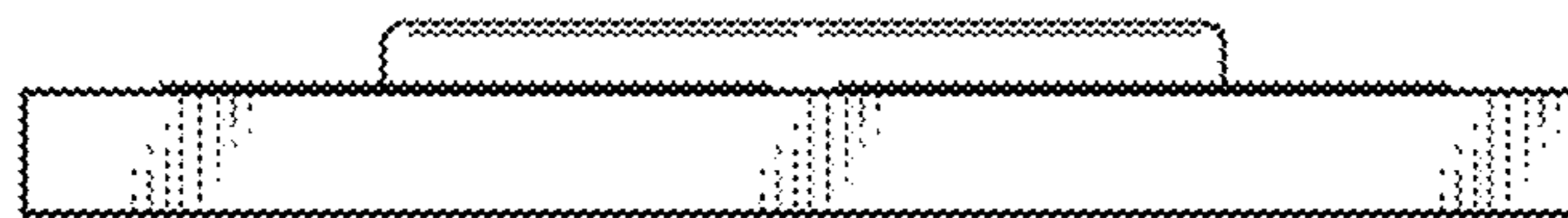


FIG. 6

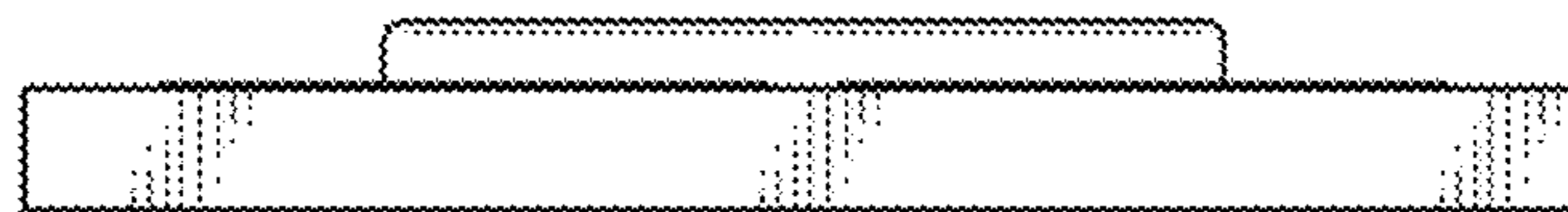


FIG. 7

