

US00D847767S

(12) **United States Design Patent** (10) **Patent No.:** **US D847,767 S**
Dobler (45) **Date of Patent:** **** May 7, 2019**

(54) **OPERATING BUTTON**

(71) Applicant: **NEUTRIK AG**, Schaan (LI)

(72) Inventor: **Oliver Dobler**, Ruggell (LI)

(73) Assignee: **Neutrik AG**, Schaan (LI)

(**) Term: **15 Years**

(21) Appl. No.: **29/604,223**

(22) Filed: **May 16, 2017**

(30) **Foreign Application Priority Data**

Nov. 17, 2016 (EM) 0034670670001
Nov. 17, 2016 (EM) 0034670670002
Nov. 17, 2016 (EM) 0034670670003

(51) **LOC (11) Cl.** **13-03**

(52) **U.S. Cl.**
USPC **D13/174**

(58) **Field of Classification Search**

USPC D13/160, 174
CPC .. G05G 1/04; G05G 1/08; H01H 3/08; H01H
9/02; H01H 9/182; H01H 9/22; H01H
9/282; H01H 71/04; H01H 71/46; H01H
71/56; H01H 71/501

See application file for complete search history.

(56) **References Cited**

U.S. PATENT DOCUMENTS

D341,568 S * 11/1993 Sorenson D13/169
D402,270 S * 12/1998 Garrity, Sr. D13/174

(Continued)

FOREIGN PATENT DOCUMENTS

EM 000152970-0002 6/2004
EM 000152970-0004 6/2004

(Continued)

OTHER PUBLICATIONS

Neutrik Product Guide 2014/2015, published on Feb. 20, 2014, front page and pp. 69-73, 75, 76, 122, 123, 126-128, 141, 142, 145-147.

(Continued)

Primary Examiner — Selina Sikder

(74) *Attorney, Agent, or Firm* — Volpe and Koenig, P.C.

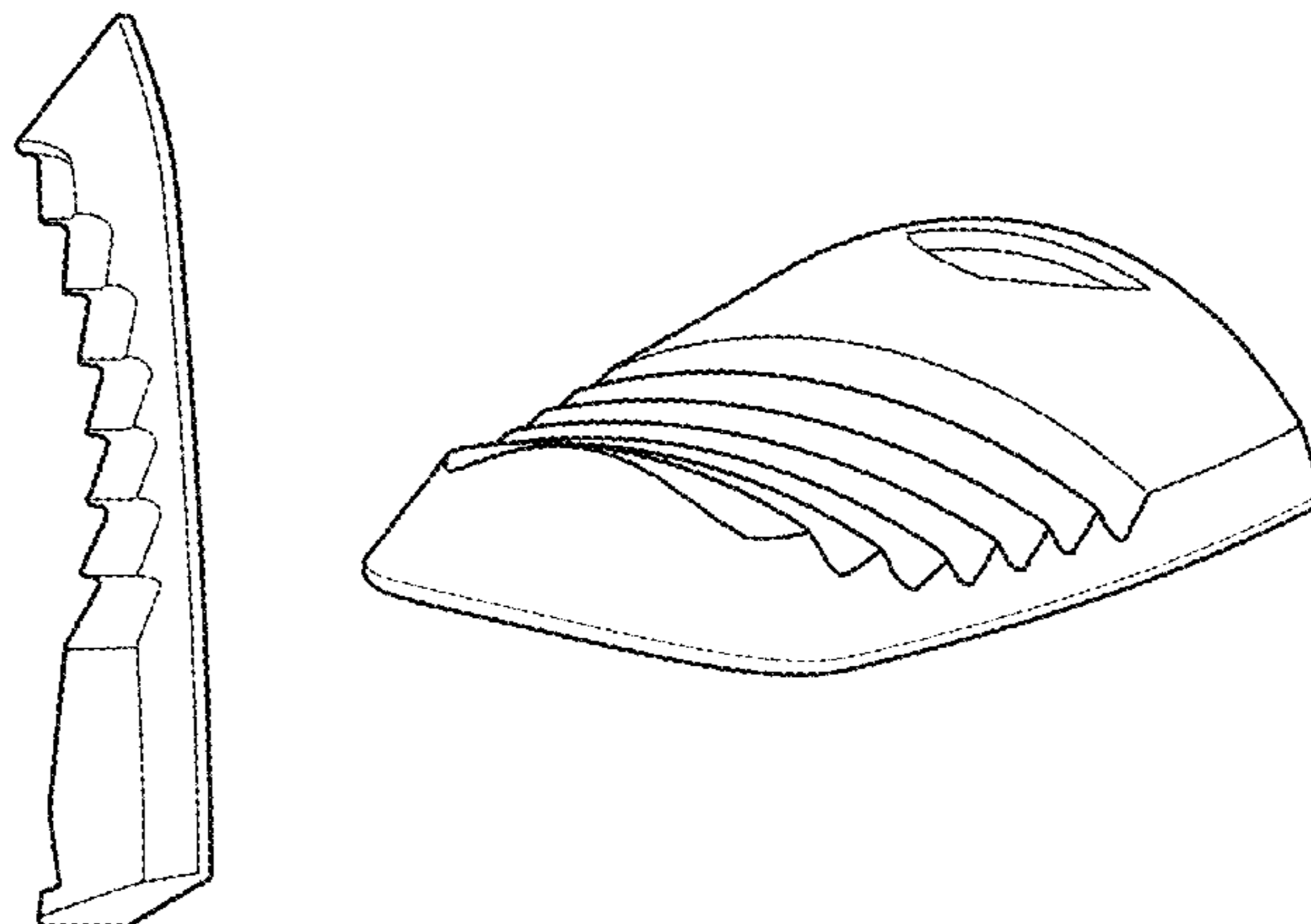
(57) **CLAIM**

I claim the ornamental design for an operating button, as shown and described.

DESCRIPTION

FIG. 1 is a bottom plan view of an operating button in accordance with a first embodiment of my design; FIG. 2 is a right side elevational view thereof; FIG. 3 is a top plan view thereof; FIG. 4 is a left side elevational view thereof; FIG. 5 is a front elevational view thereof; FIG. 6 is a rear elevational view thereof; and FIG. 7 is a perspective view thereof; FIG. 8 is a right side elevational view of the operating button showing an alternate environment; FIG. 9 is a top plan view thereof; FIG. 10 is a left side elevational view thereof; FIG. 11 is a front elevational view thereof; FIG. 12 is a rear elevational view thereof; and FIG. 13 is a perspective view thereof; FIG. 14 is a right side elevational view of the operating button showing an alternate environment; FIG. 15 is a top plan view thereof; FIG. 16 is a left side elevational view thereof; FIG. 17 is a front elevational view thereof; FIG. 18 is a rear elevational view thereof; and, FIG. 19 is a perspective view thereof. The broken lines shown form unclaimed portions of an operating button that do not form part of the claimed design.

1 Claim, 17 Drawing Sheets



(56)

References Cited

U.S. PATENT DOCUMENTS

D519,469 S * 4/2006 Sorenson D13/169
D550,632 S * 9/2007 Samuels D13/162
D556,156 S * 11/2007 Teiber D10/118
D689,910 S * 9/2013 Hanson D15/28
D727,272 S * 4/2015 Johnson D13/174

FOREIGN PATENT DOCUMENTS

EM 000741152-0001 7/2007
EM 001229827-0001 8/2010
EM 001229827-0002 8/2010
EM 001229827-0003 8/2010
EM 001229827-0004 8/2010
EM 001229827-0007 8/2010
EM 001229827-0008 8/2010
EM 001229827-0009 8/2010
EM 001229827-0010 8/2010

EM 001393623-0001 12/2013
EM 001393623-0002 12/2013
EM 002677641-0001 4/2015
EM 002677641-0002 4/2015
EM 002677641-0003 4/2015
EM 002677641-0004 4/2015
EM 002677641-0005 4/2015
EM 002677641-0006 4/2015
EM 003002807-0001 2/2016
EM 003002807-0002 2/2016
EM 003002807-0003 2/2016

OTHER PUBLICATIONS

Neutrik Product Guide 2007, published Oct. 2007, front page, last page and p. 45.
Photographs of the Operating Button from Neutrik 2007 Product Catalog, 4 pages.

* cited by examiner

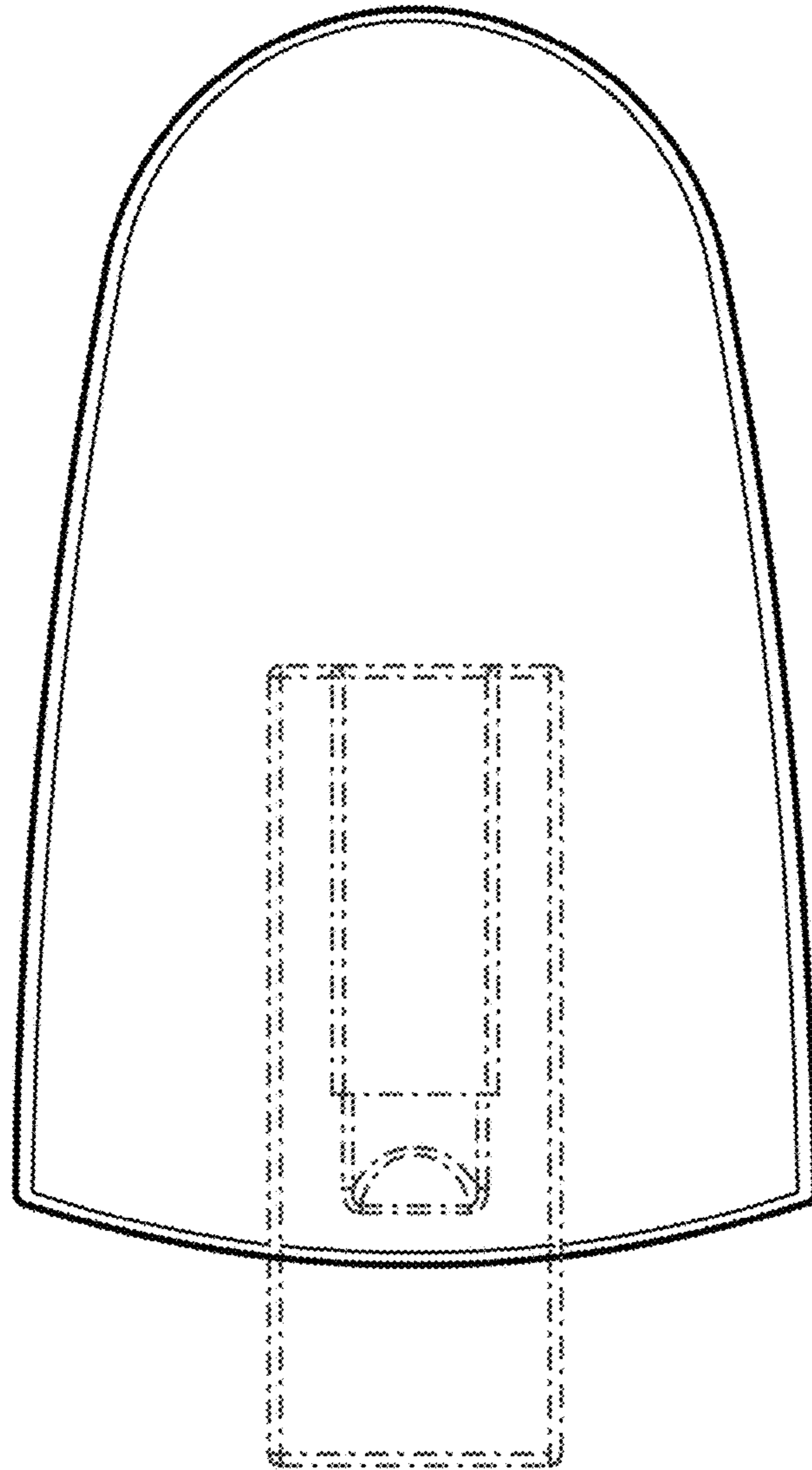


Fig. 1

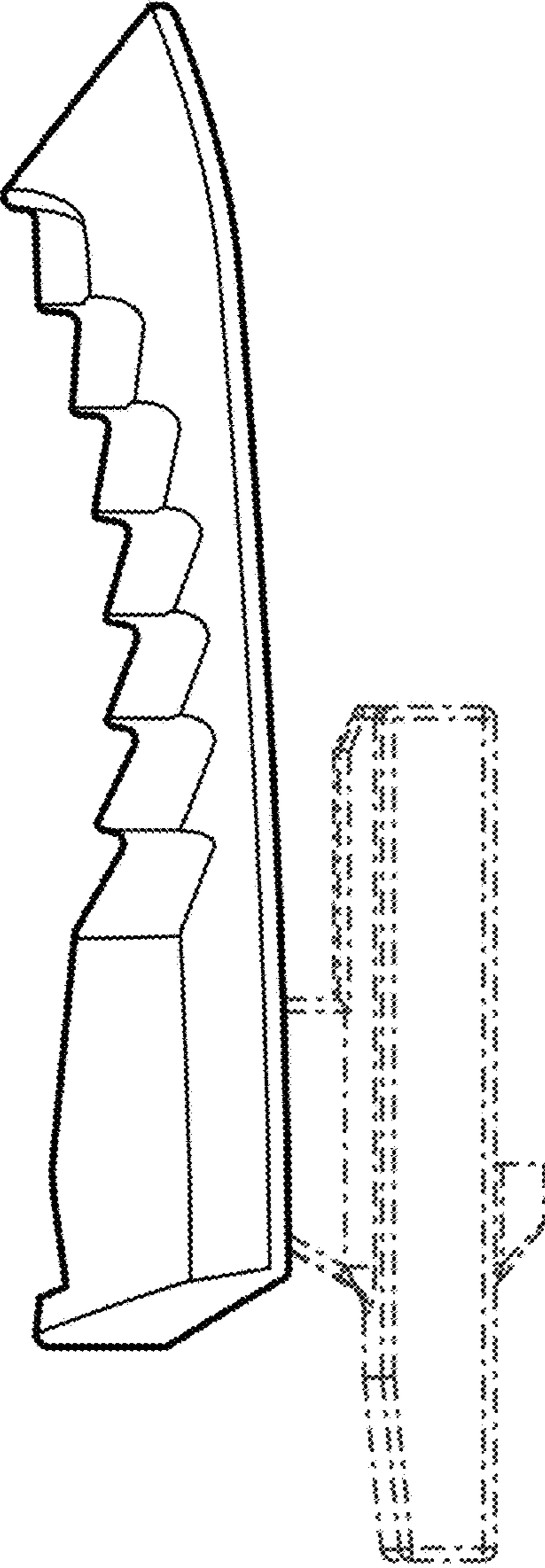


Fig. 2

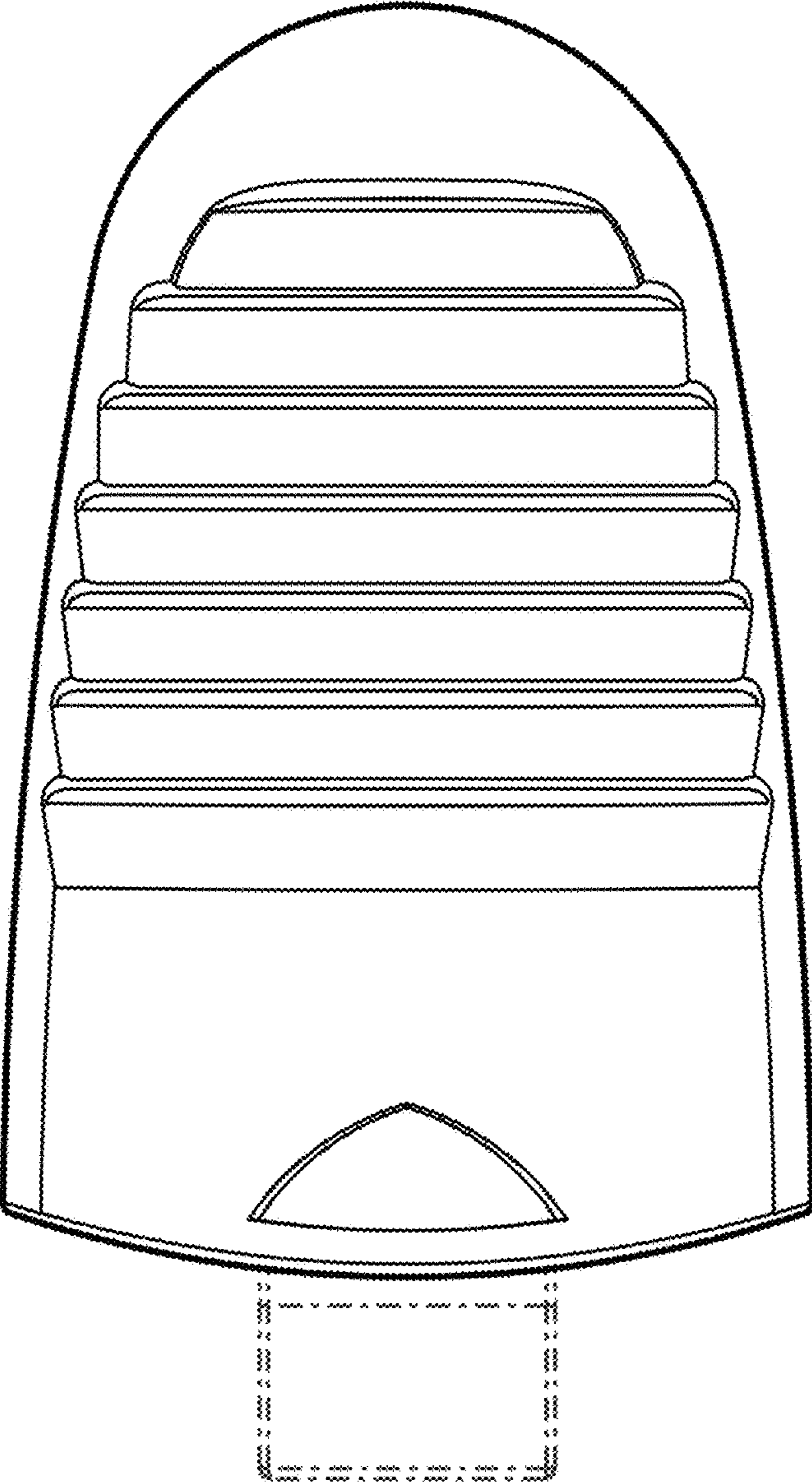


Fig. 3

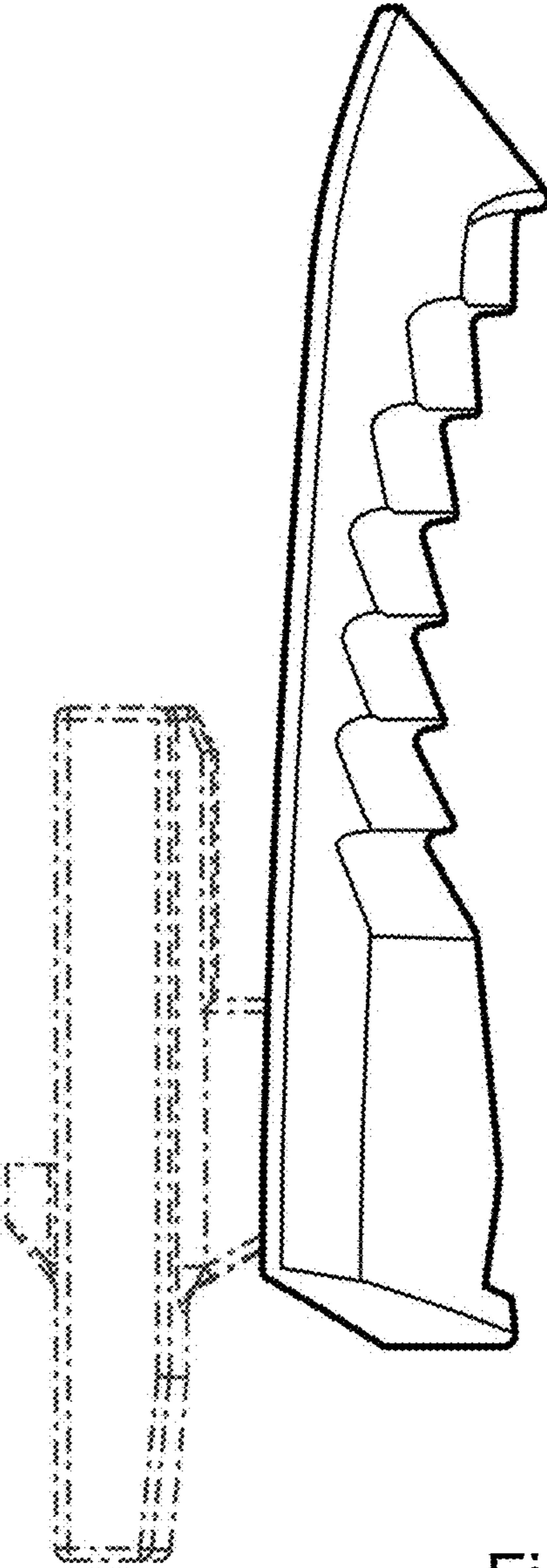


Fig. 4

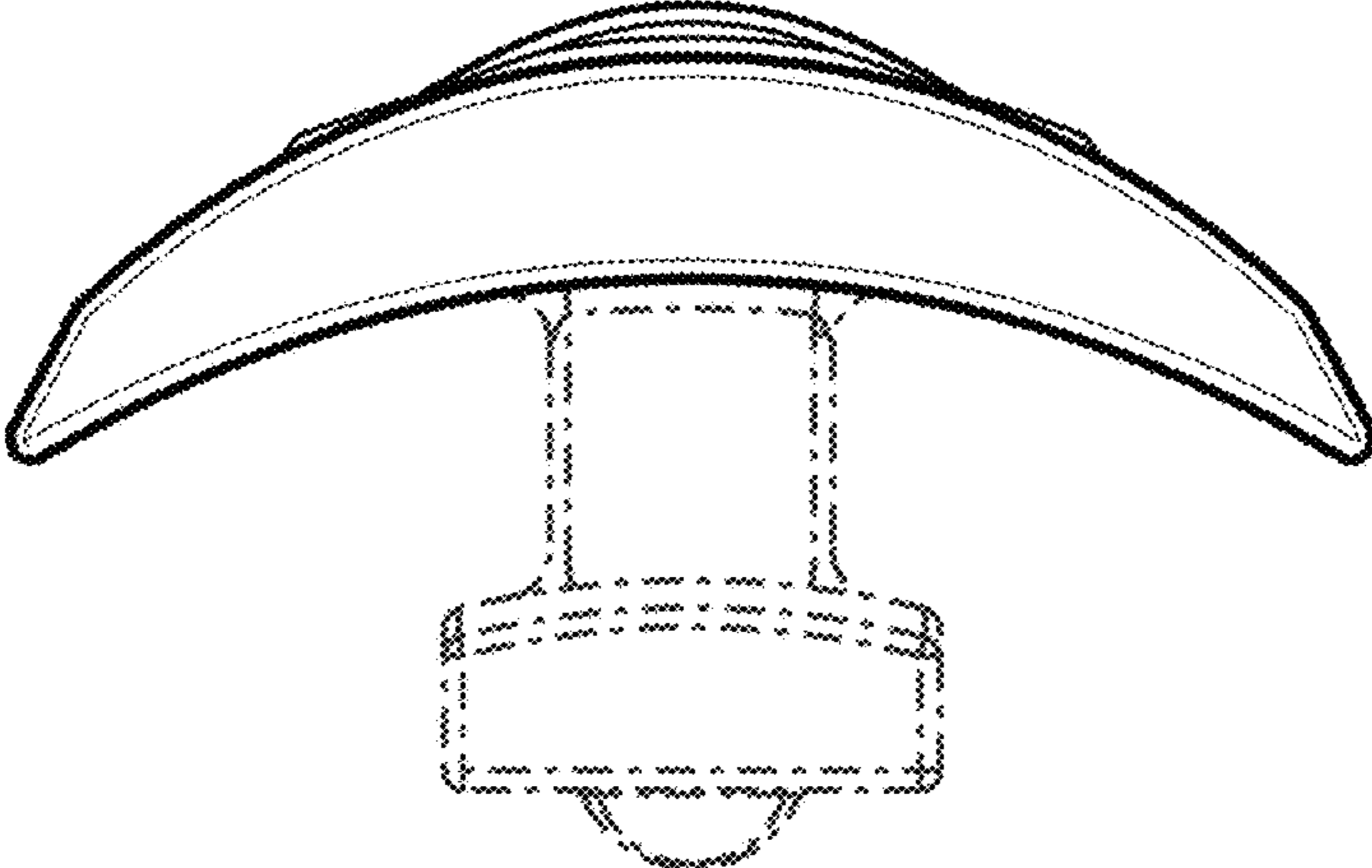


Fig. 5

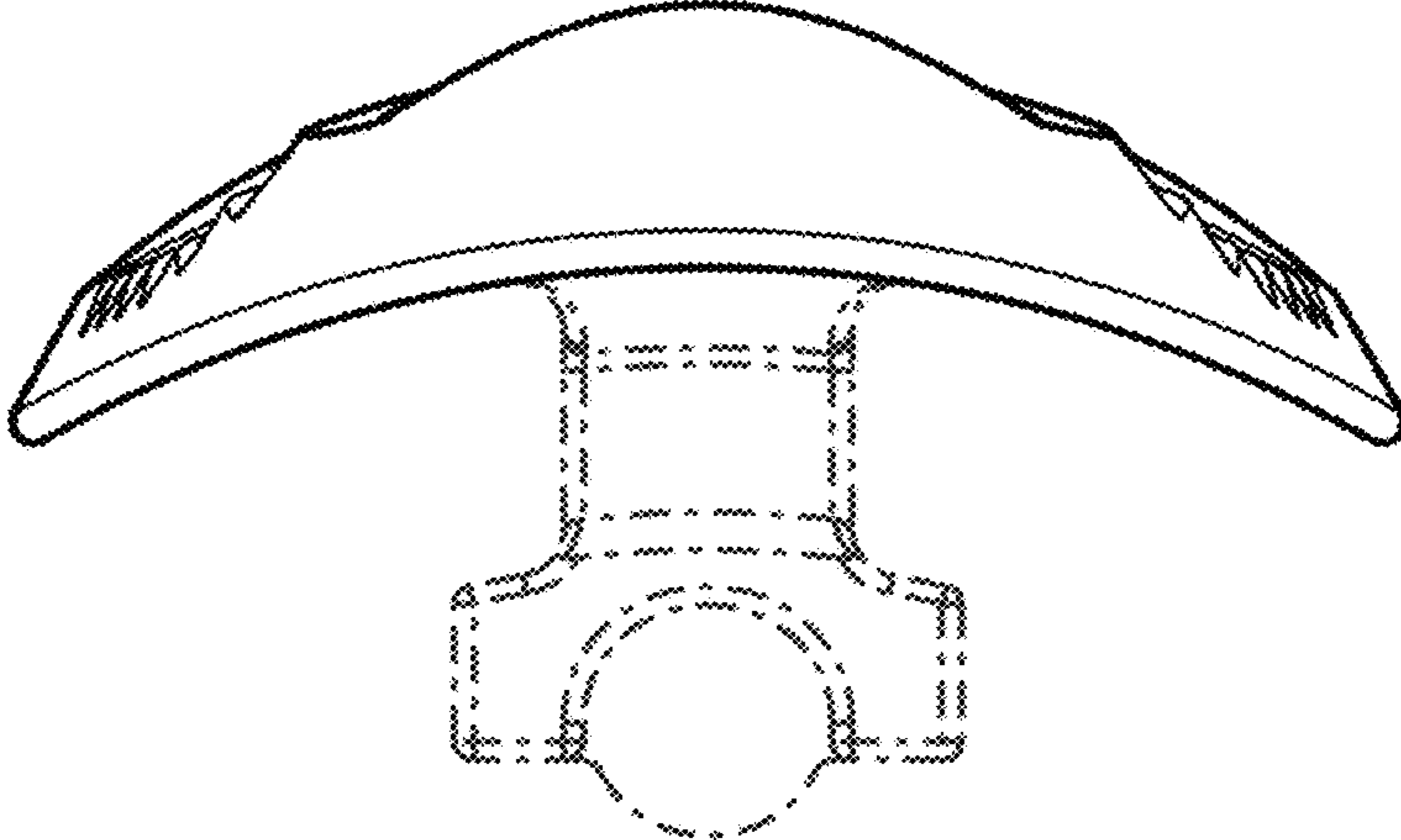


Fig. 6

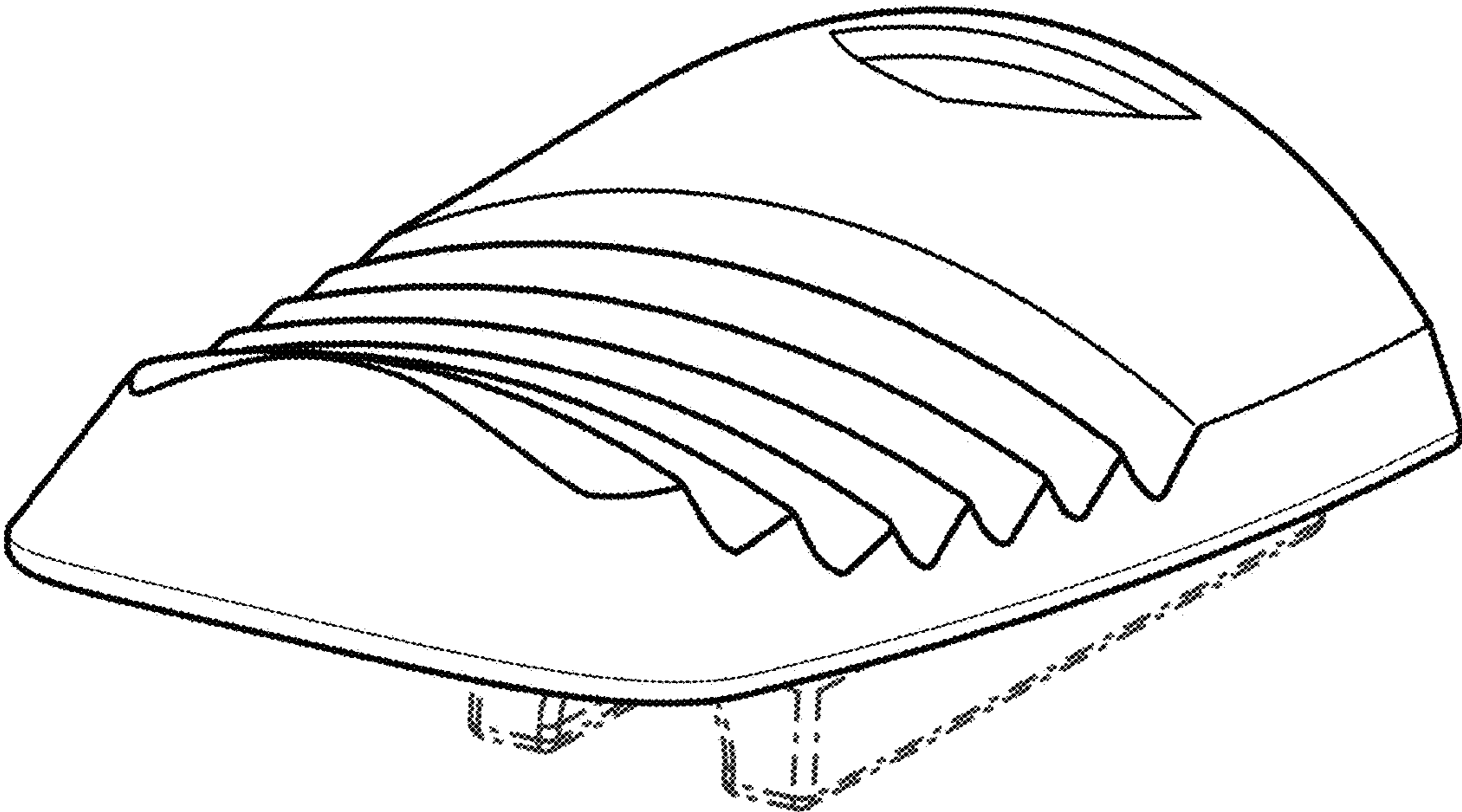


Fig. 7

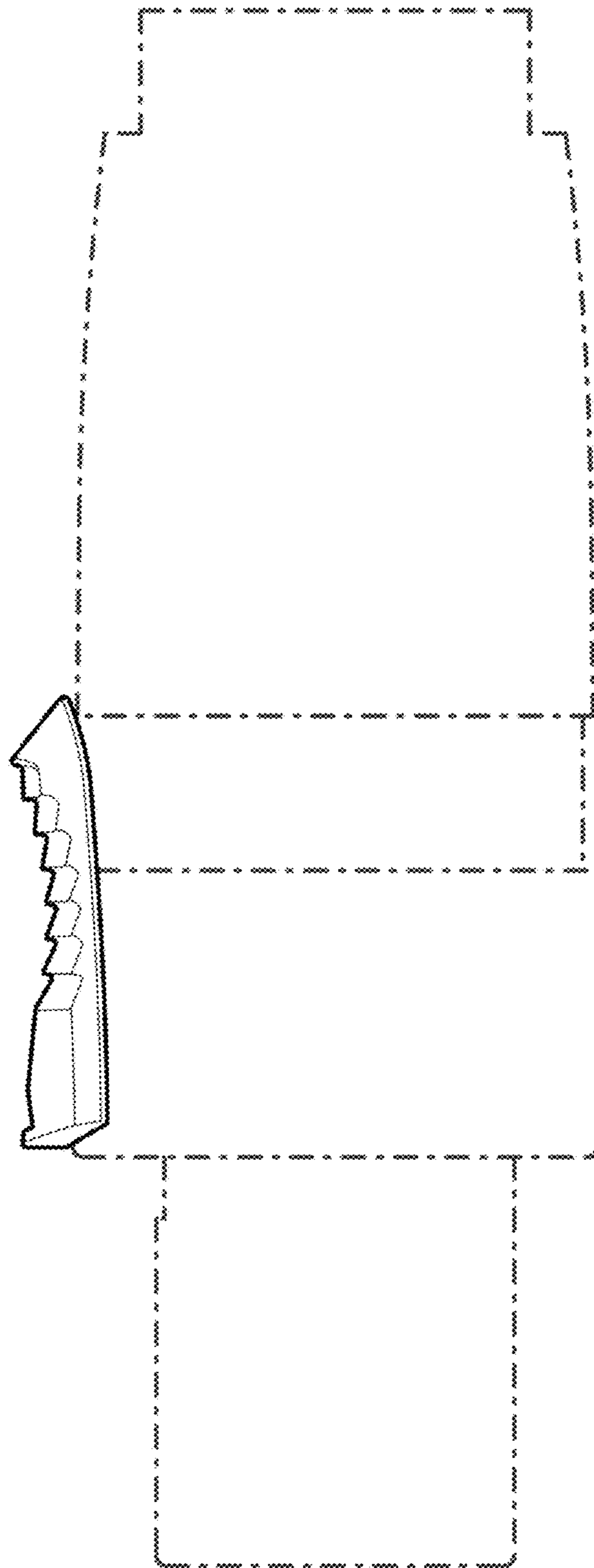


Fig. 8

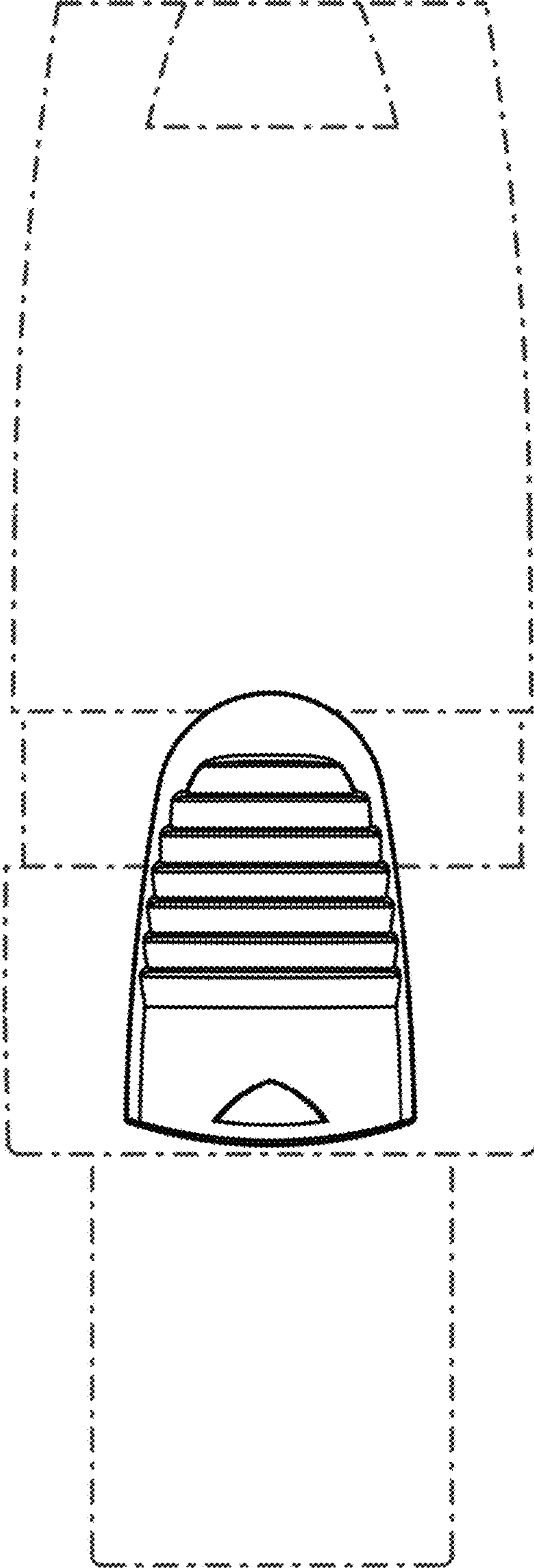


Fig. 9

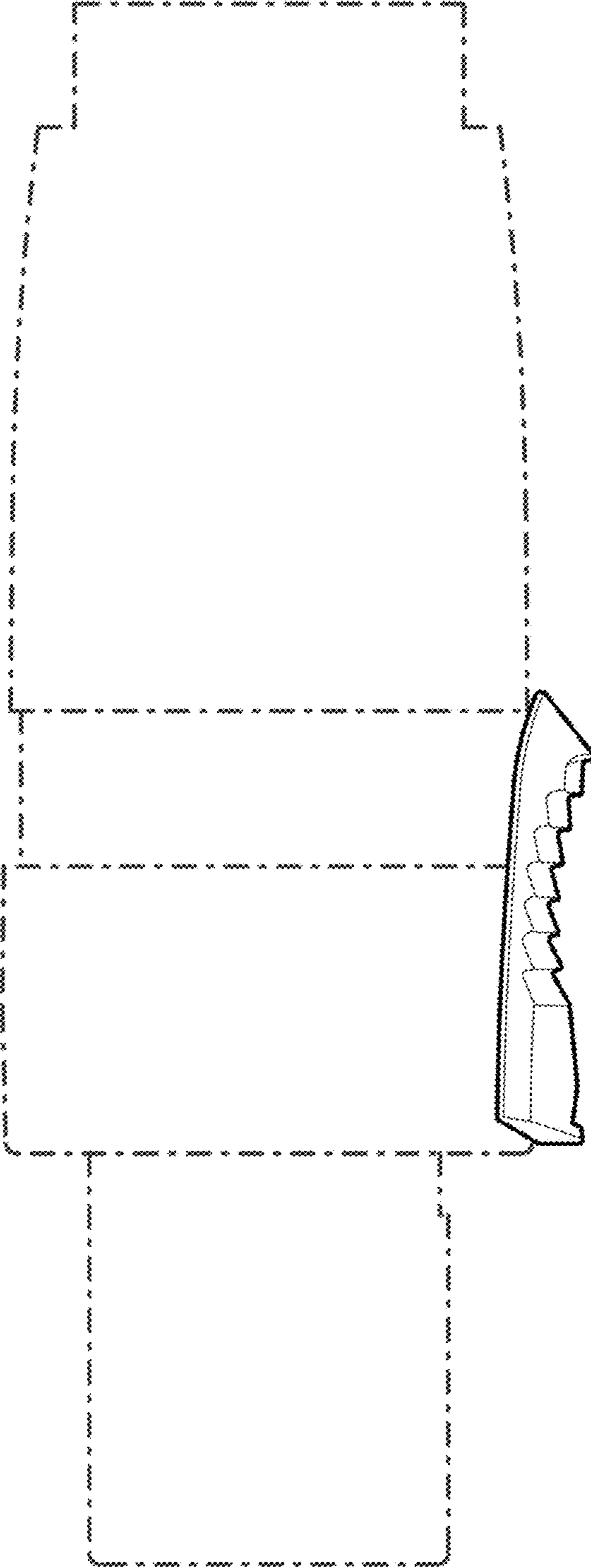


Fig. 10

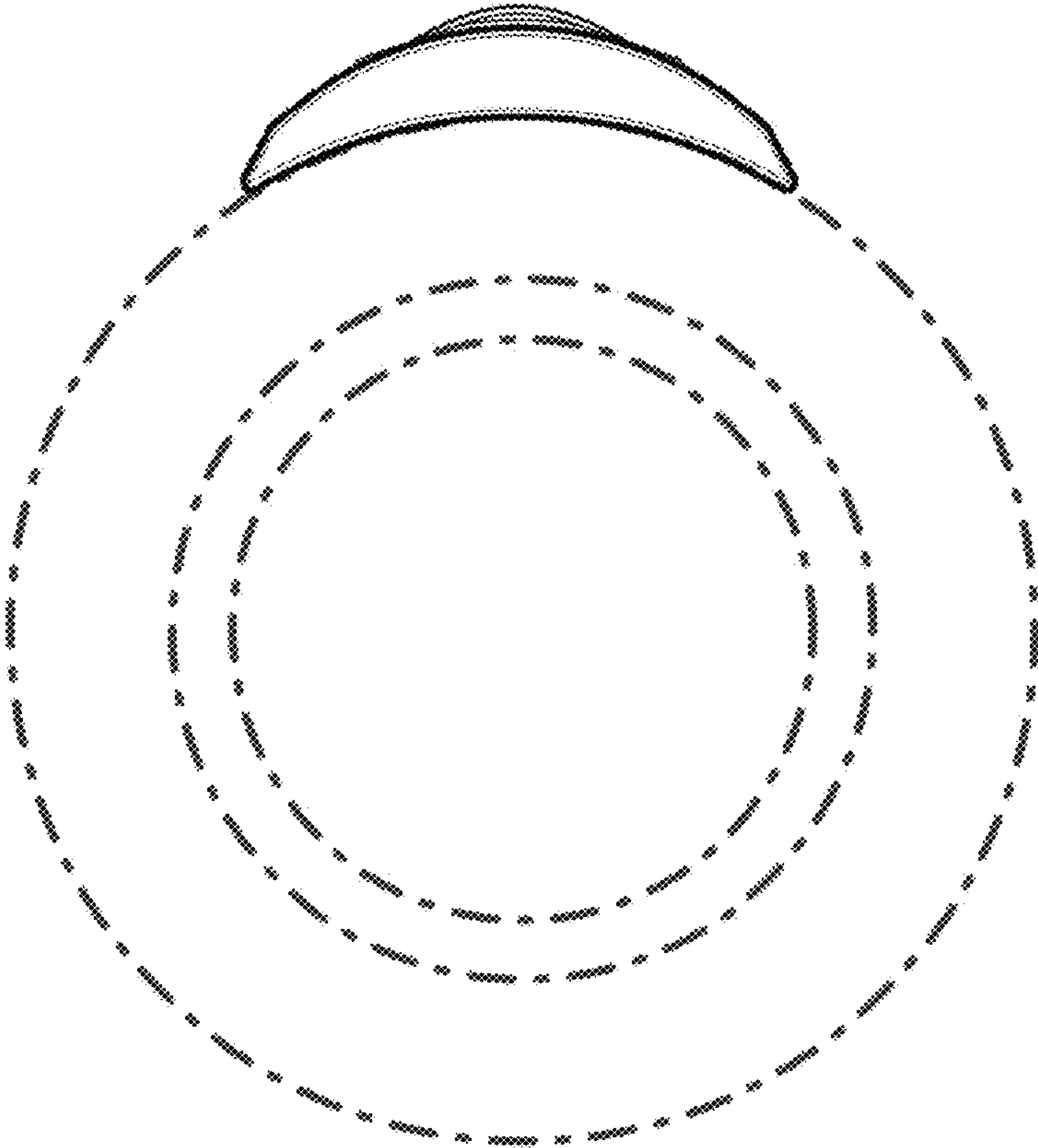


Fig. 11

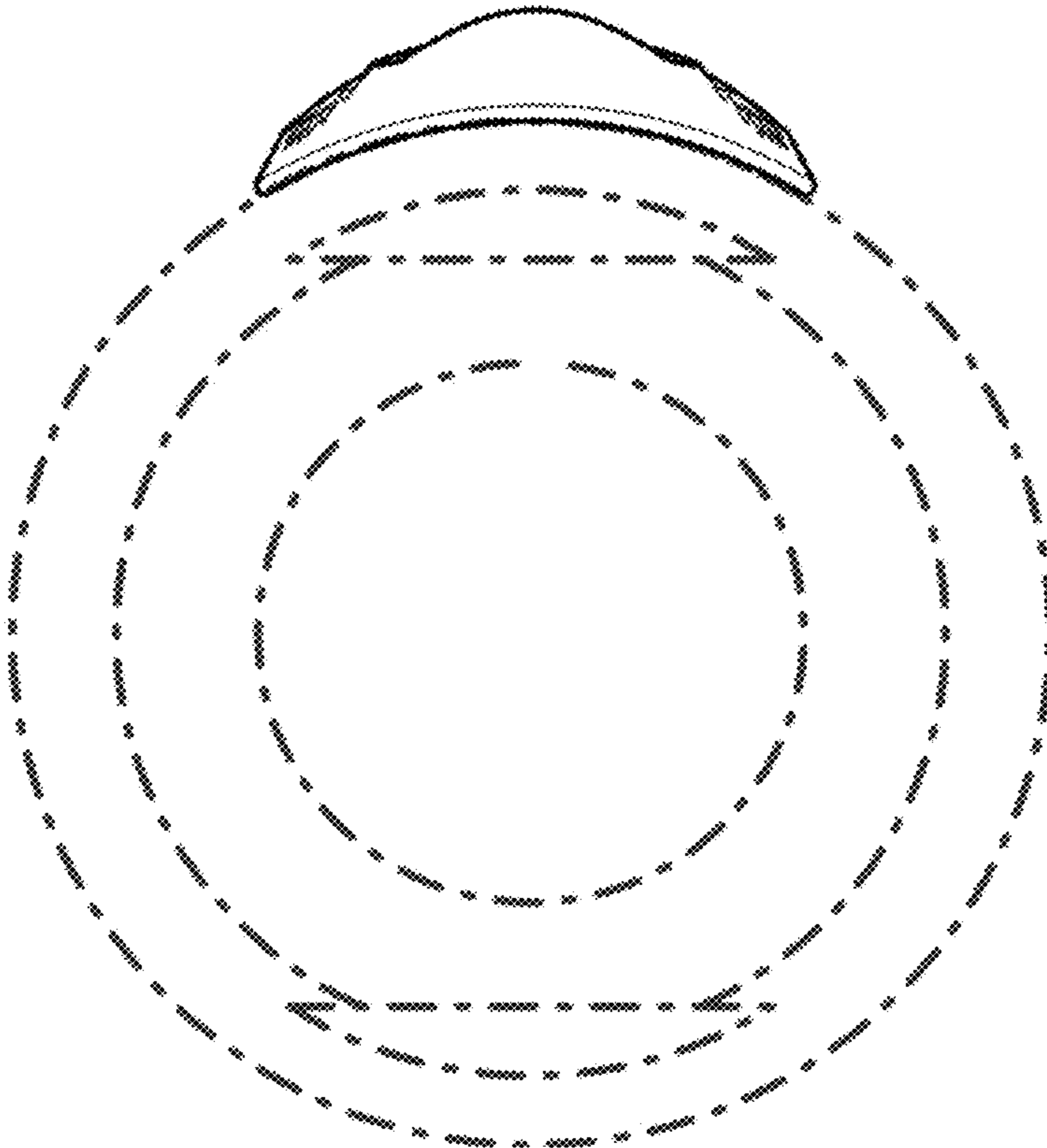


Fig. 12

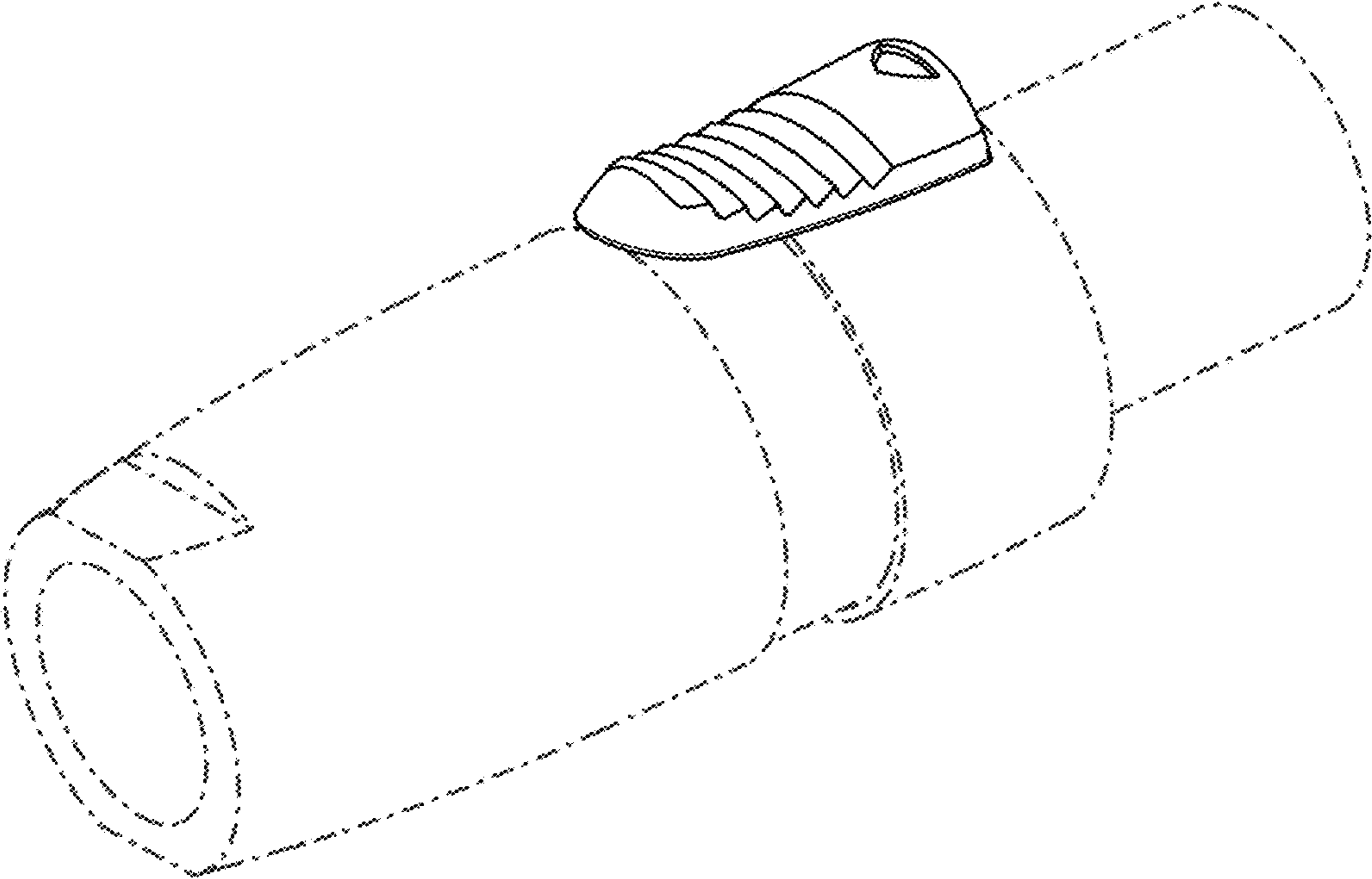


Fig. 13



Fig. 14

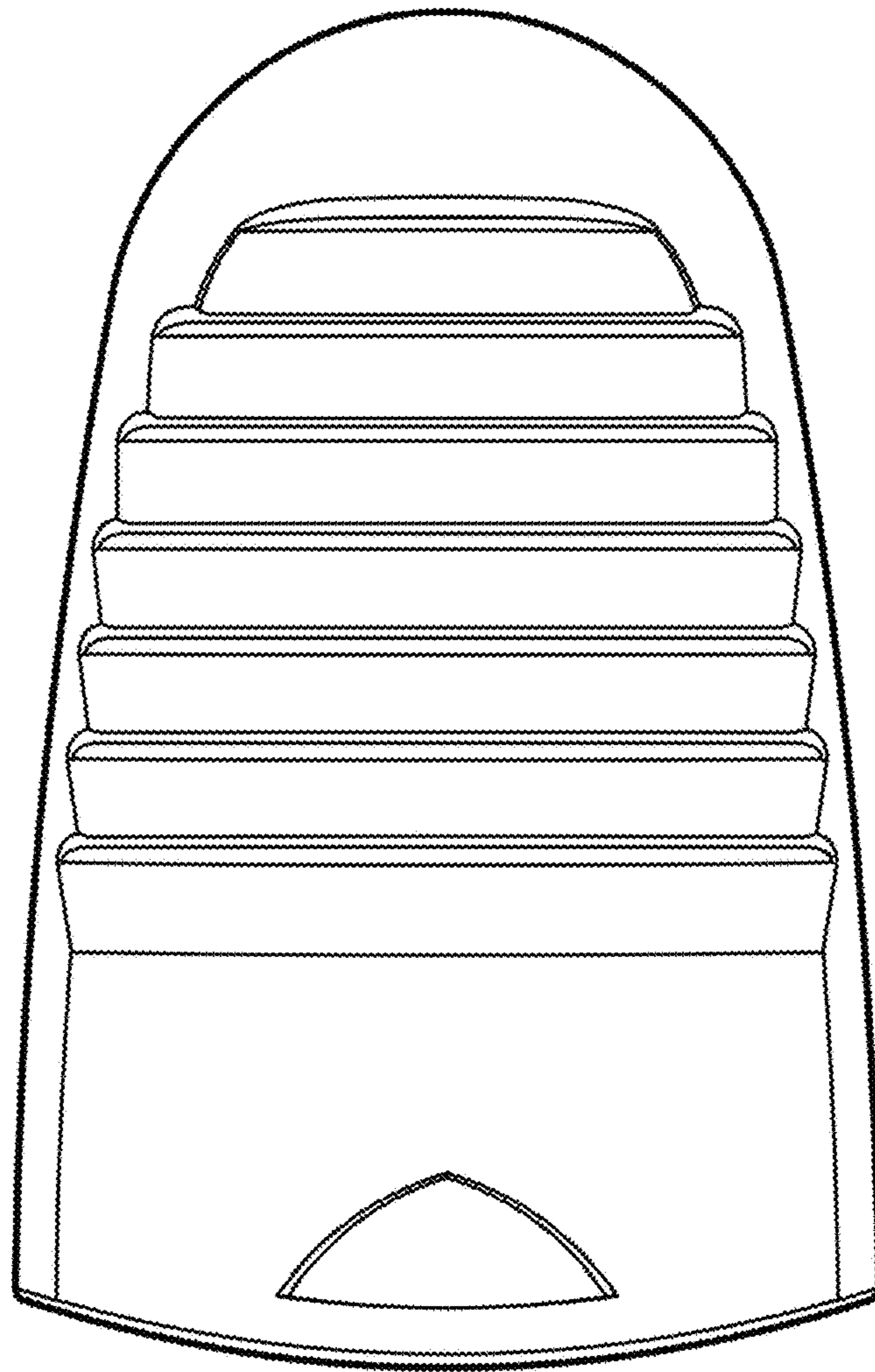


Fig. 15

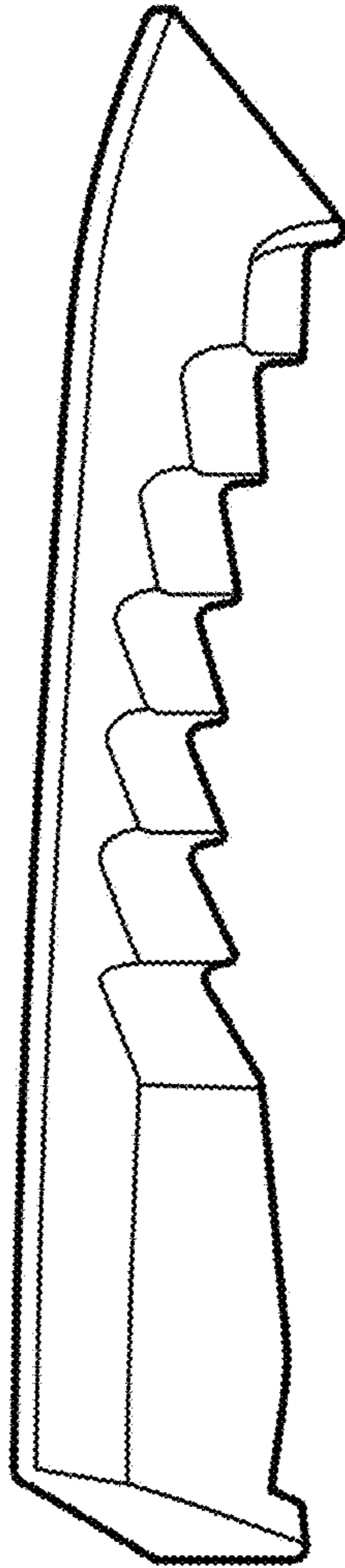


Fig. 16



Fig. 17



Fig. 18

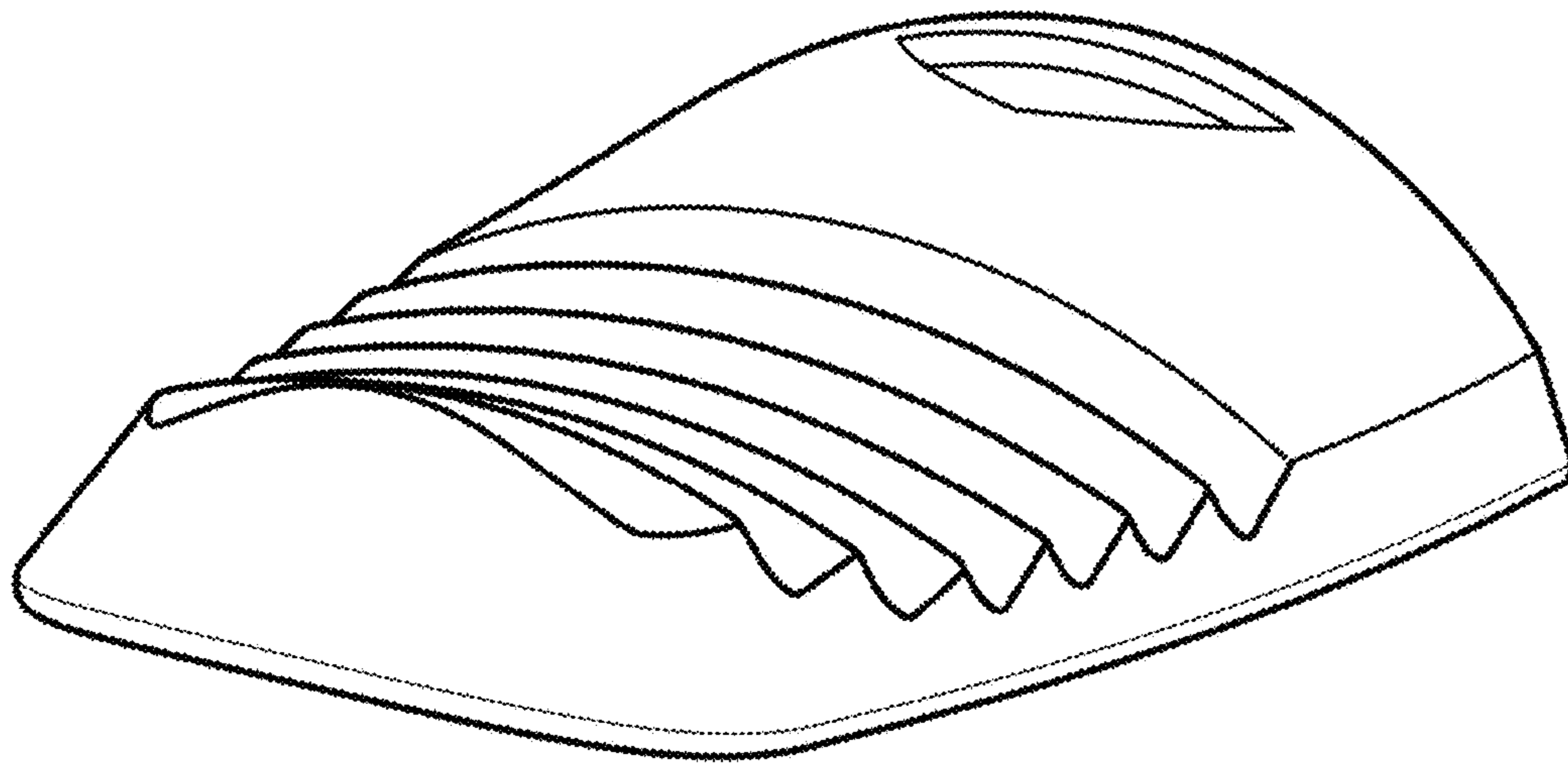


Fig. 19