



US00D847766S

(12) **United States Design Patent**
Kyung

(10) **Patent No.:** **US D847,766 S**

(45) **Date of Patent:** **** May 7, 2019**

(54) **REMOTE CONTROL FOR LAMP**
(71) Applicant: **Kee Sun Kyung**, Seoul (KR)
(72) Inventor: **Kee Sun Kyung**, Seoul (KR)

(**) Term: **15 Years**

(21) Appl. No.: **35/503,824**

(22) Filed: **Apr. 13, 2017**

(80) **Hague Agreement Data**

Int. Filing Date: **Apr. 13, 2017**
Int. Reg. No.: **DM/097364**
Int. Reg. Date: **Apr. 13, 2017**
Int. Reg. Pub. Date: **Oct. 13, 2017**

(51) **LOC (11) Cl.** **14-03**

(52) **U.S. Cl.**
USPC **D13/168**

(58) **Field of Classification Search**
USPC D13/168, 171, 134, 162, 110; 307/140,
307/114, 40; 700/295; 174/DIG. 2;
200/293; 361/728
CPC H02J 13/0086; G06F 1/266; H01F 38/10;
H01H 71/0221; H05K 7/026
See application file for complete search history.

(56) **References Cited**

U.S. PATENT DOCUMENTS

4,109,231 A * 8/1978 Krouse H01C 10/50
307/114
4,956,748 A * 9/1990 Yamamoto H05K 7/026
361/728
5,064,977 A * 11/1991 Fierro H01H 71/0221
200/293
5,260,678 A * 11/1993 Van Wagener H01F 38/10
174/DIG. 2

5,359,540 A * 10/1994 Ortiz G06F 1/266
700/295
5,424,587 A * 6/1995 Federowicz H02J 13/0086
307/140
5,424,903 A * 6/1995 Schreiber G06F 1/266
307/40
D555,605 S * 11/2007 Parnell D13/171
D574,789 S * 8/2008 Ashcraft D13/168
D610,990 S * 3/2010 Biery D13/134
D640,640 S * 6/2011 Duckworth D13/162
D656,102 S * 3/2012 Chou D13/162
D661,665 S * 6/2012 Windstrup D13/168
D690,664 S * 10/2013 Chen D13/168
D721,814 S * 1/2015 Creed D13/168
D725,606 S * 3/2015 Eastman D13/168
D733,666 S * 7/2015 Zhang D13/168
D744,962 S * 12/2015 Chen D13/168
D781,250 S * 3/2017 Cartwright D13/168
D811,328 S * 2/2018 Zeng D13/110
D818,971 S * 5/2018 Peng D13/171
D821,334 S * 6/2018 McRoberts D13/168

* cited by examiner

Primary Examiner — Rhea Shields

(57) **CLAIM**

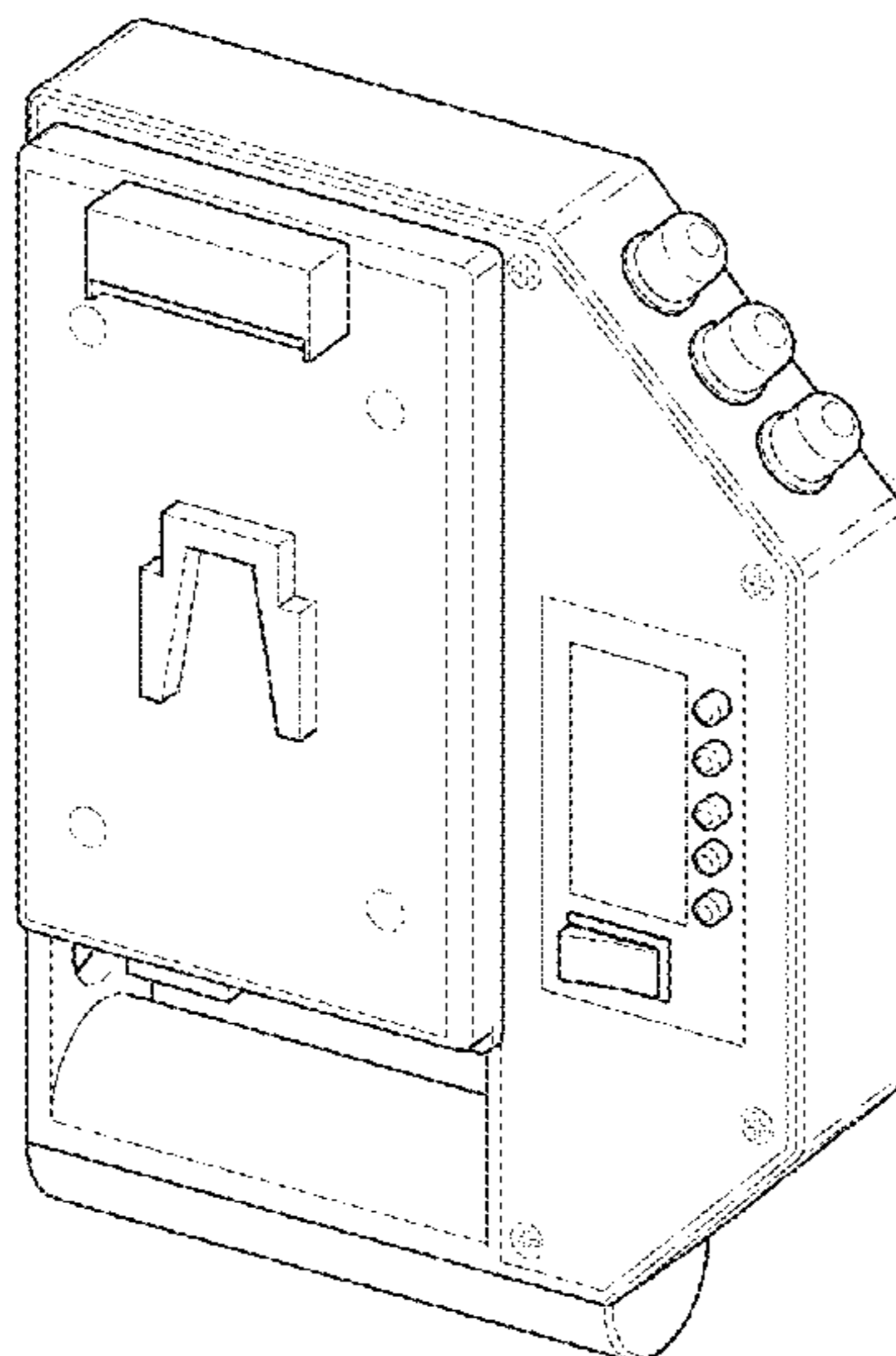
The ornamental design for a remote control for lamp, as shown and described.

DESCRIPTION

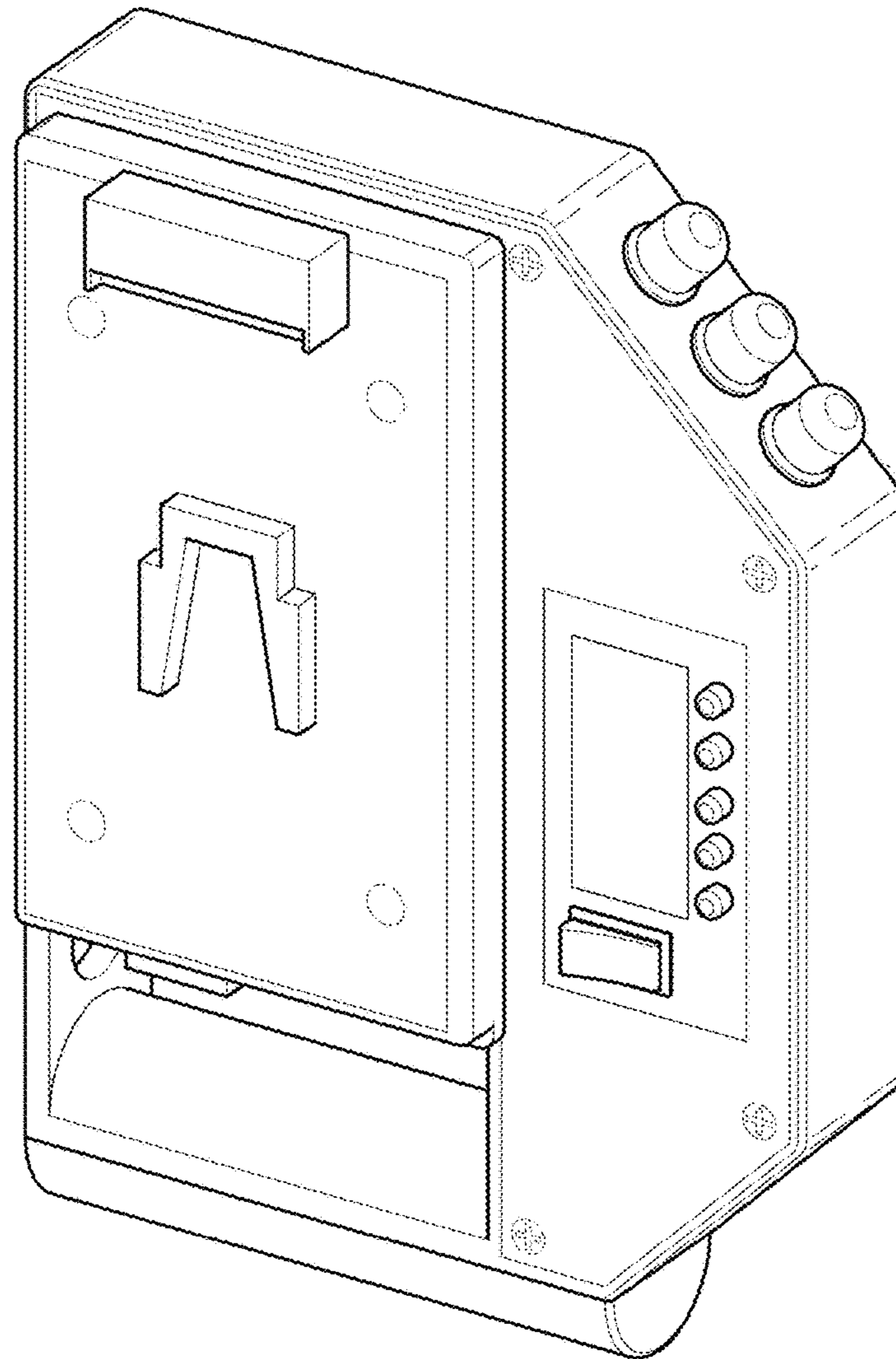
- 1. Remote control for lamp
- 1.1 : Perspective
- 1.2 : Front
- 1.3 : Back
- 1.4 : Left
- 1.5 : Right
- 1.6 : Top
- 1.7 : Bottom

In the drawings, the broken lines are for the purpose of illustrating environment only and form no part of the claimed design.

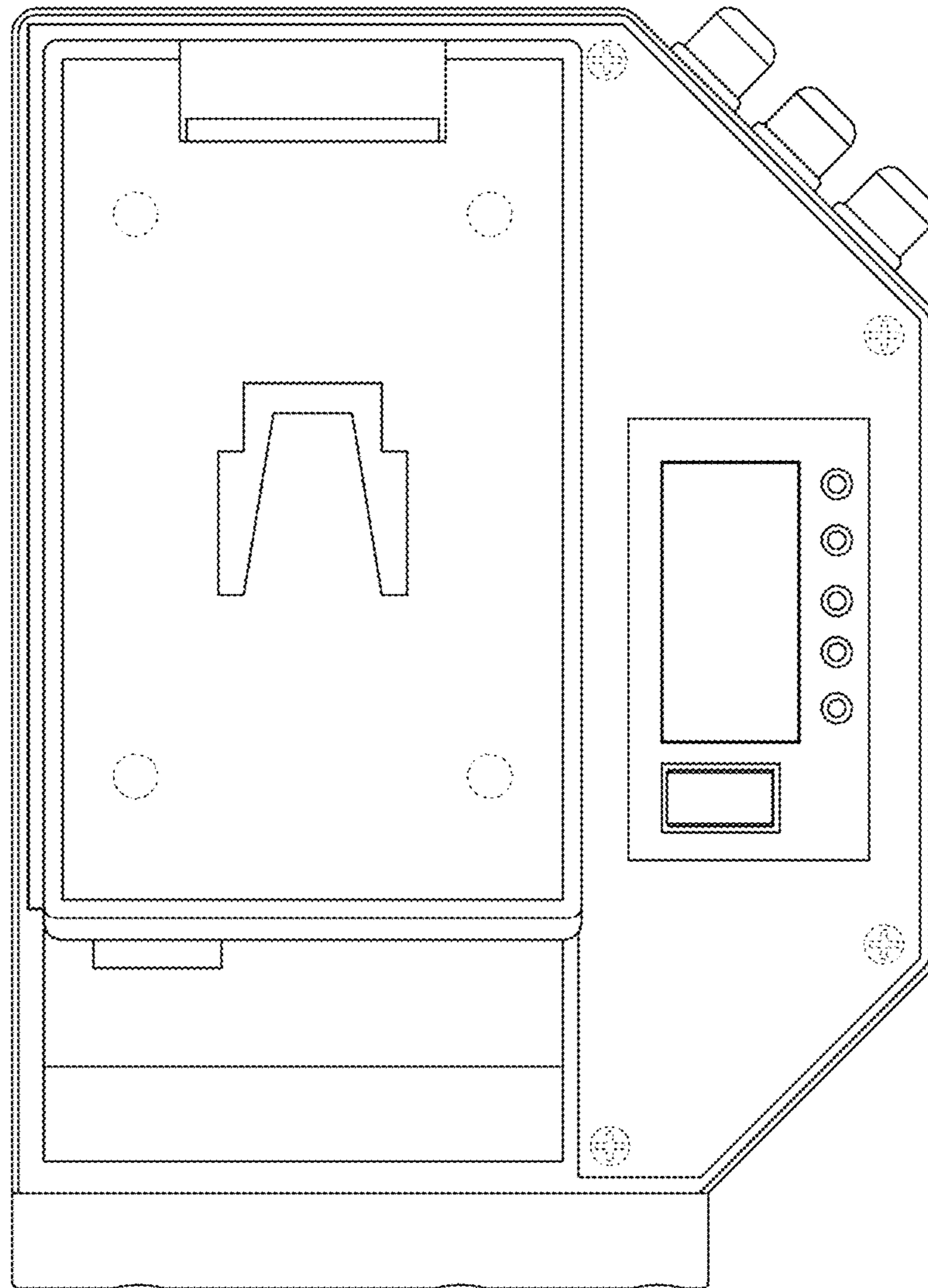
1 Claim, 7 Drawing Sheets



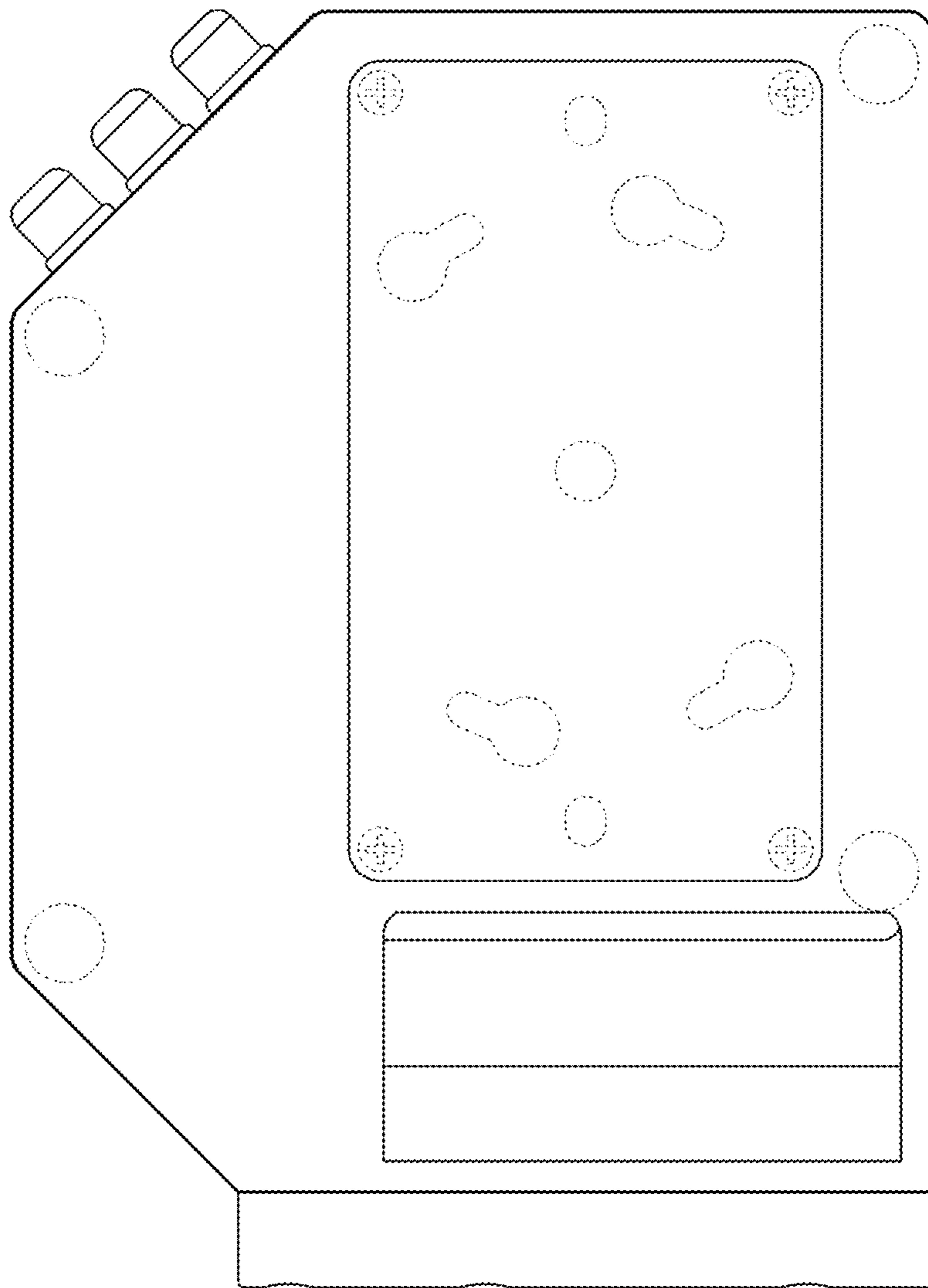
1.1



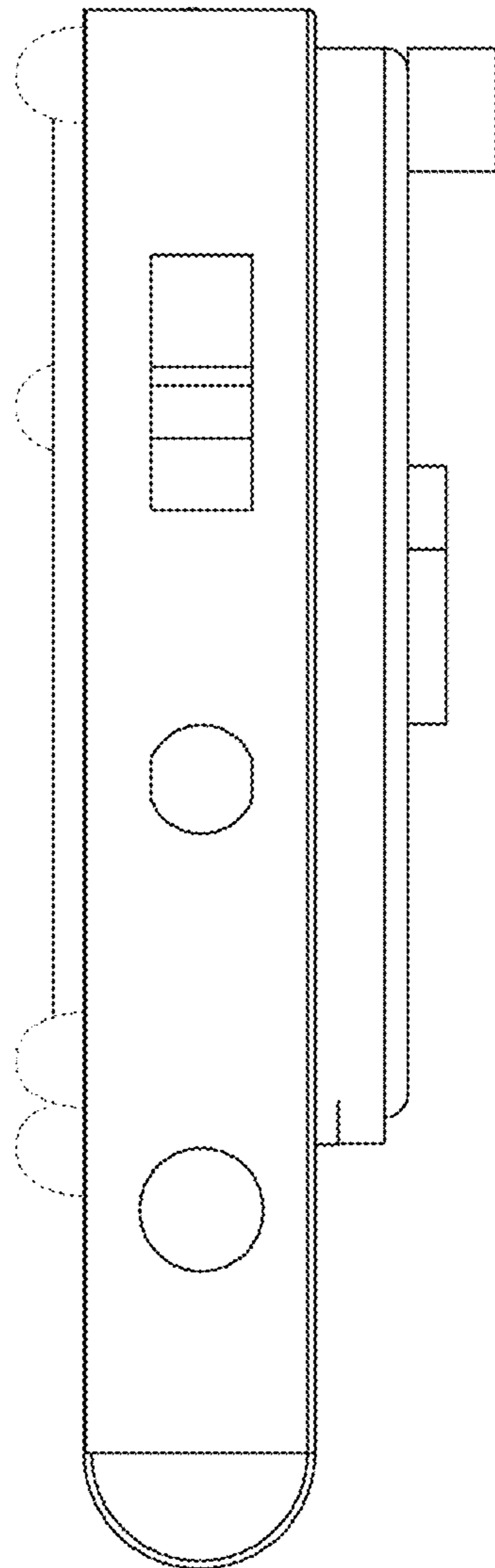
1.2



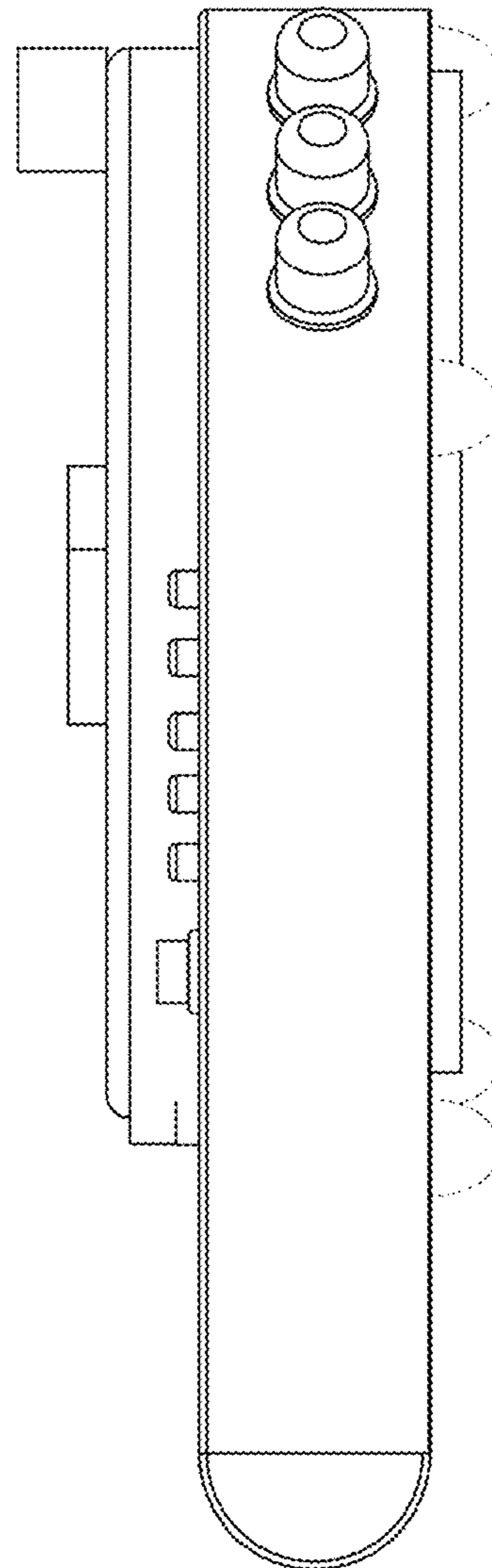
1.3



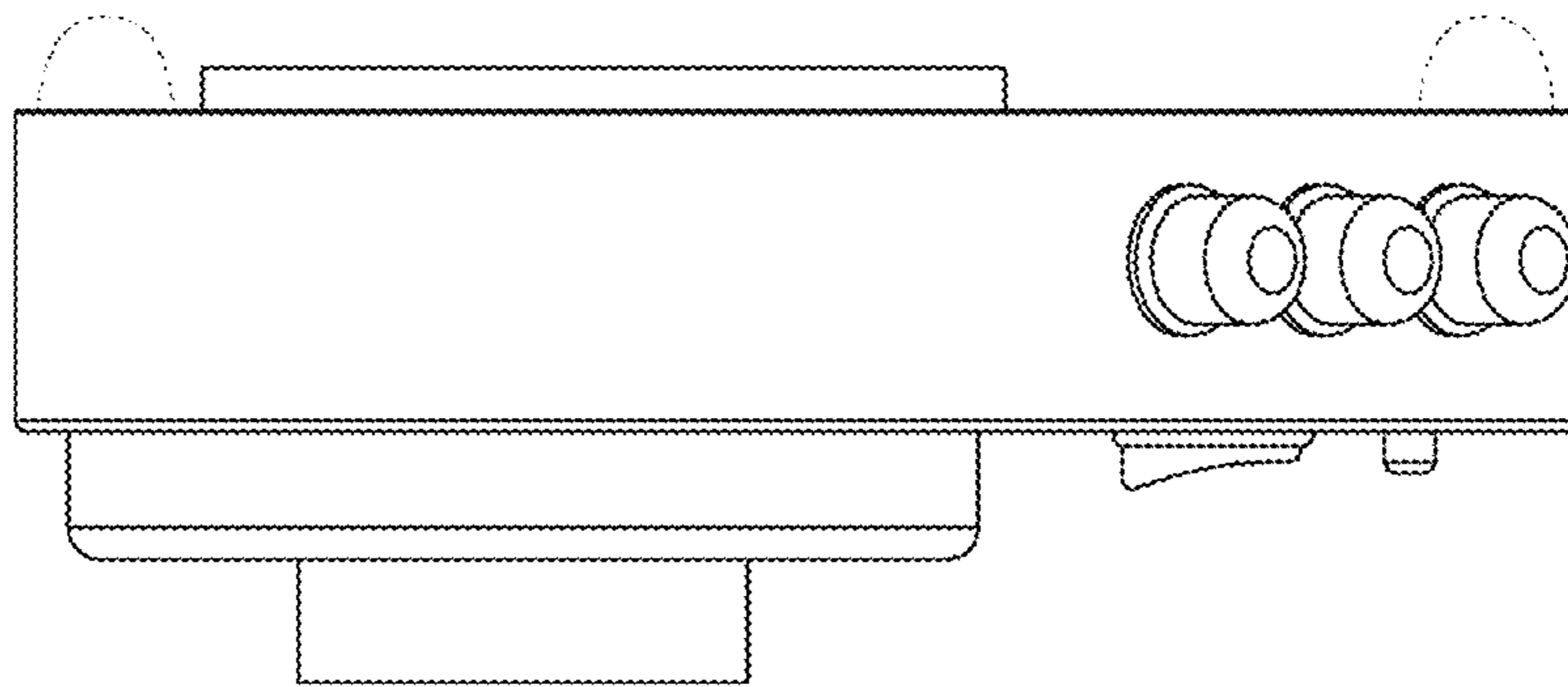
1.4



1.5



1.6



1.7

