



US00D847764S

(12) **United States Design Patent**
Saitoh et al.

(10) **Patent No.:** **US D847,764 S**
(45) **Date of Patent:** **** May 7, 2019**

(54) **PRESSURE SWITCH**
(71) Applicant: **SMC CORPORATION**, Tokyo (JP)
(72) Inventors: **Mitsuhiro Saitoh**, Koshigaya (JP);
Shogo Kurisaki, Yashio (JP); **Shigeru Fujita**, Moriya (JP)
(73) Assignee: **SMC CORPORATION**, Tokyo (JP)
(**) Term: **15 Years**

D559,195 S 1/2008 Tamaoki
D568,255 S 5/2008 Kurisaki et al.
7,663,496 B2 * 2/2010 Kawakami G01L 19/003
200/81 R
7,893,371 B2 * 2/2011 Kawakami G01L 19/0038
200/81 R
D635,936 S * 4/2011 Reiser D13/158
D651,181 S * 12/2011 Schreiber D13/158
D669,039 S 10/2012 Gunji et al.
D772,171 S 11/2016 Ohmori et al.
2004/0187585 A1 * 9/2004 Miyamoto G01L 19/0672
73/700

(21) Appl. No.: **29/625,451**
(22) Filed: **Nov. 9, 2017**

FOREIGN PATENT DOCUMENTS

EM 001745875-0001 A1 8/2010
* cited by examiner

(30) **Foreign Application Priority Data**

May 25, 2017 (JP) 2017-011124

(51) **LOC (11) Cl.** **13-03**
(52) **U.S. Cl.**
USPC **D13/158**

Primary Examiner — Selina Sikder
(74) *Attorney, Agent, or Firm* — Birch, Stewart, Kolasch & Birch, LLP

(58) **Field of Classification Search**
USPC D13/158, 162, 164, 171; D10/85
CPC G01L 19/003; G01L 19/08; G01L 19/14;
H01H 35/2607; H01H 35/36
See application file for complete search history.

(57) **CLAIM**

The ornamental design for a pressure switch, as shown.

DESCRIPTION

FIG. 1 is a front, top and right side perspective view of a pressure switch showing our new design;
FIG. 2 is a rear, bottom and left side perspective view thereof;
FIG. 3 is a front view thereof;
FIG. 4 is a rear view thereof;
FIG. 5 is a top plan view thereof;
FIG. 6 is a bottom plan view thereof;
FIG. 7 is a left side view thereof; and,
FIG. 8 is a right side view thereof.

(56) **References Cited**

U.S. PATENT DOCUMENTS

6,119,524 A * 9/2000 Kobold G01L 19/14
73/724
D437,295 S 2/2001 Gunji et al.
D456,290 S 4/2002 Gunji et al.
D497,145 S * 10/2004 Seo D13/158
7,186,934 B2 * 3/2007 Nakajima H01H 35/2607
200/81 R
D557,215 S 12/2007 Kurisaki et al.

1 Claim, 8 Drawing Sheets

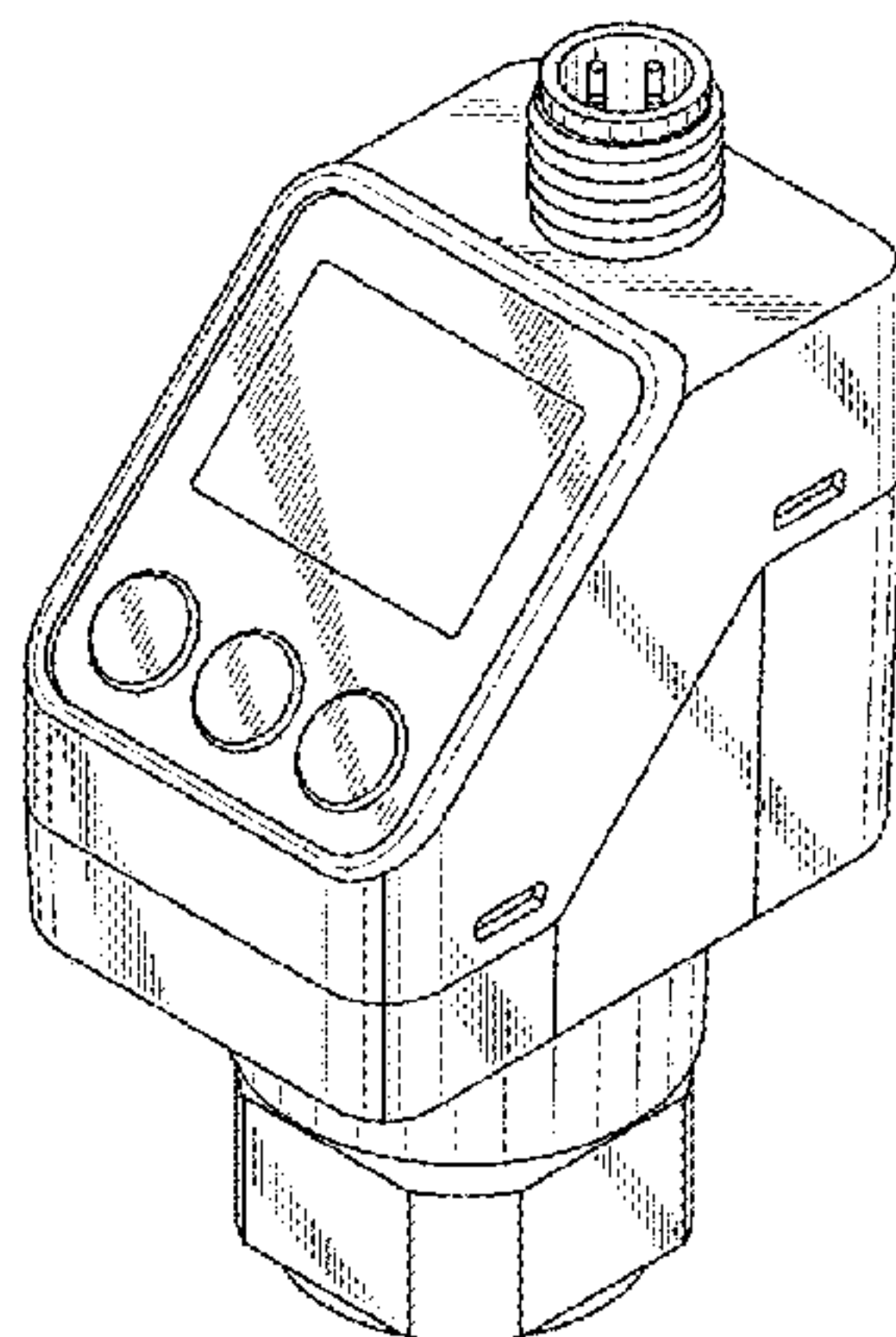


FIG. 1

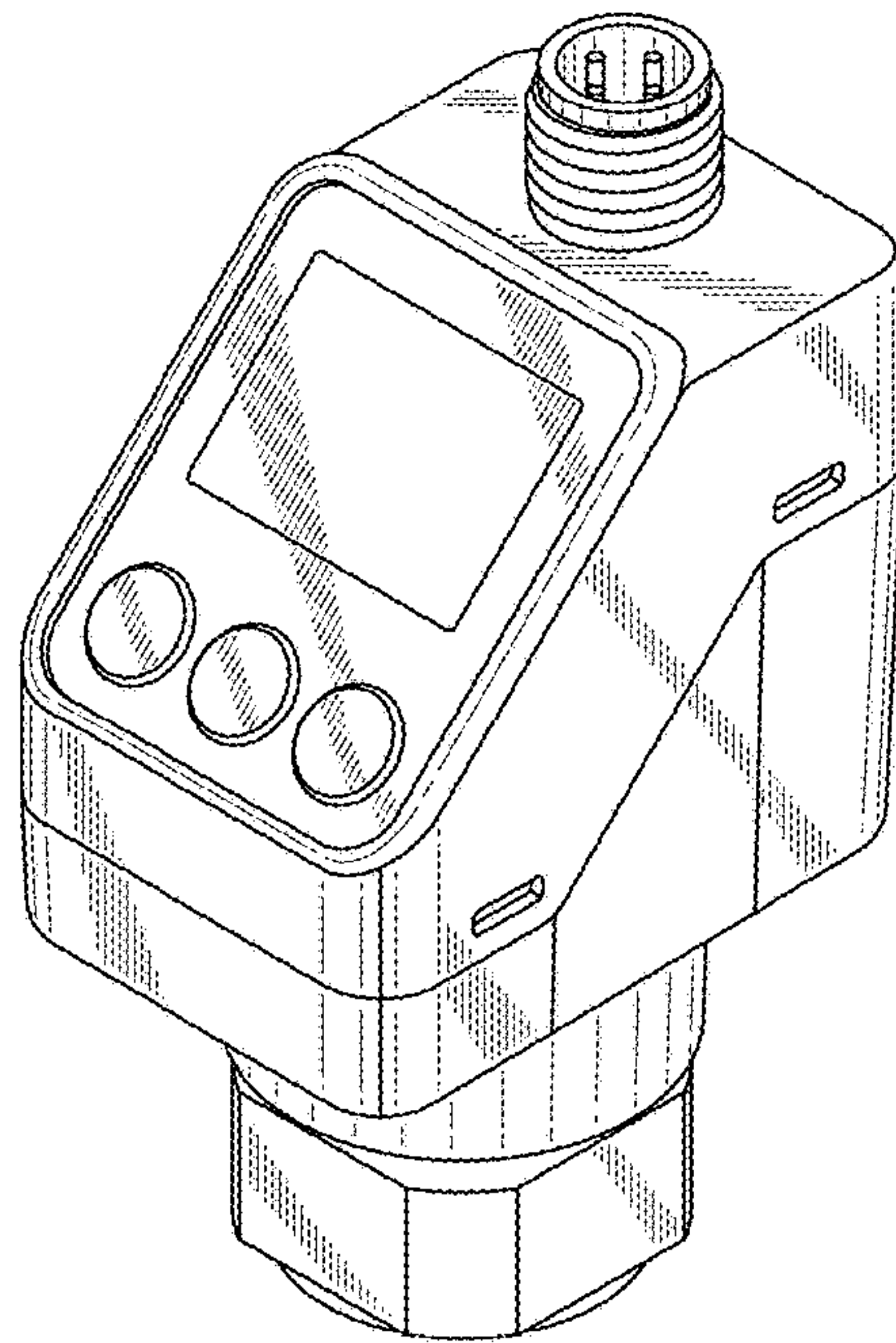


FIG. 2

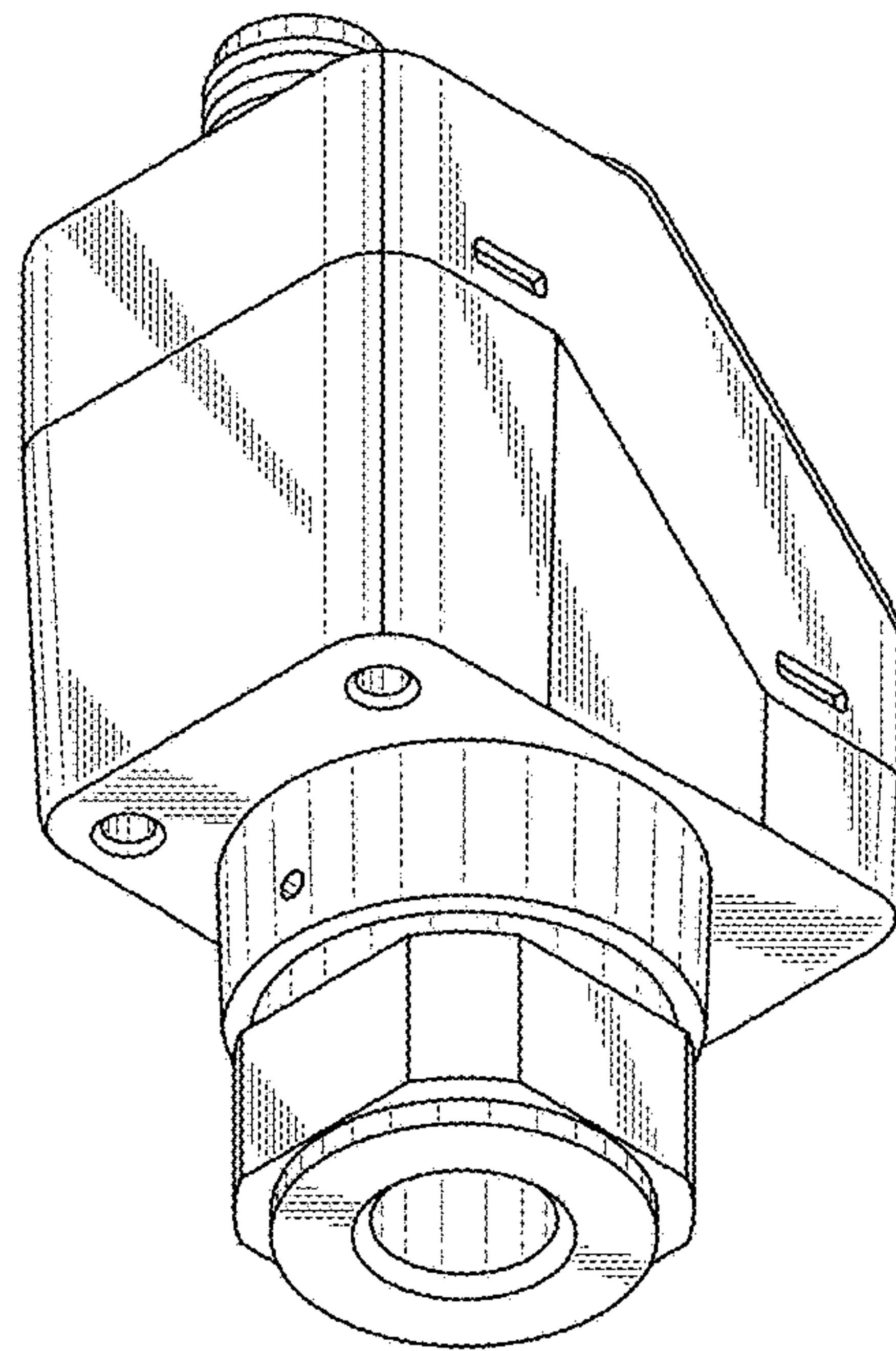


FIG. 3

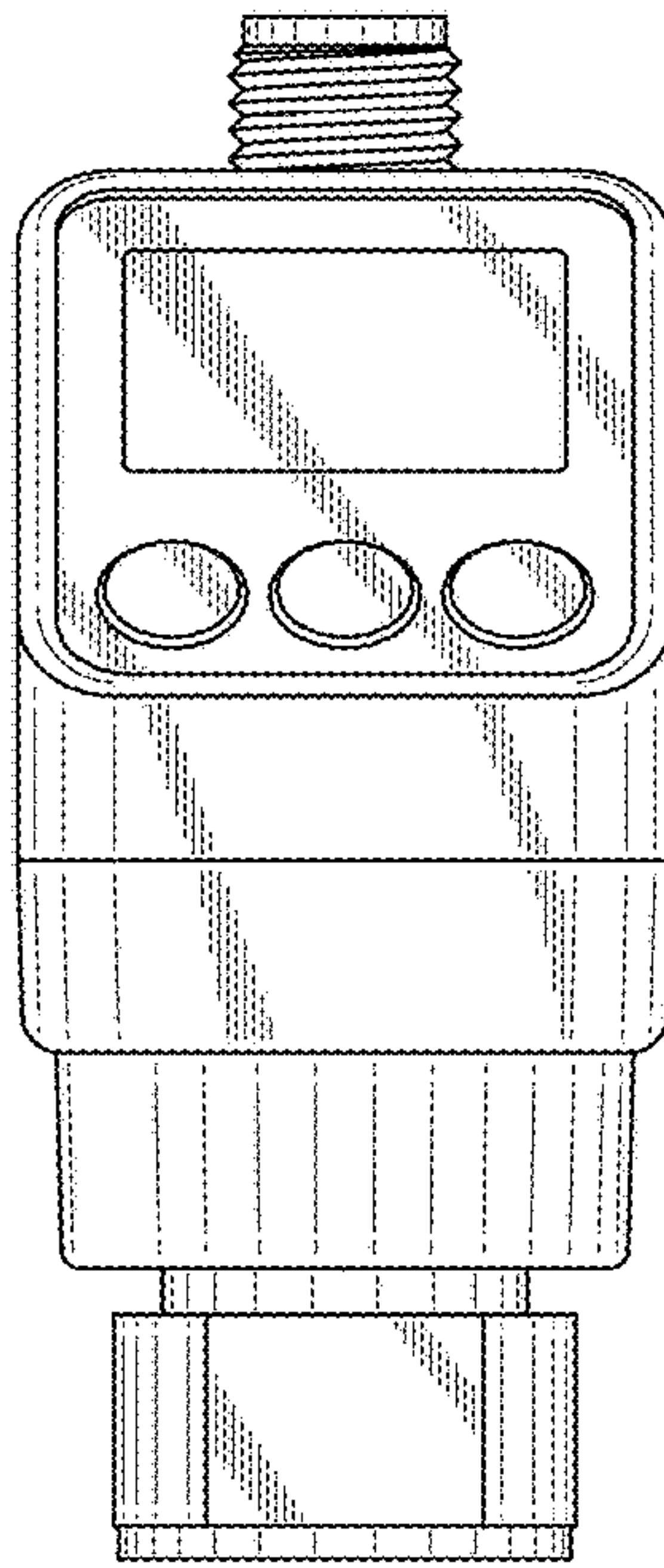


FIG. 4

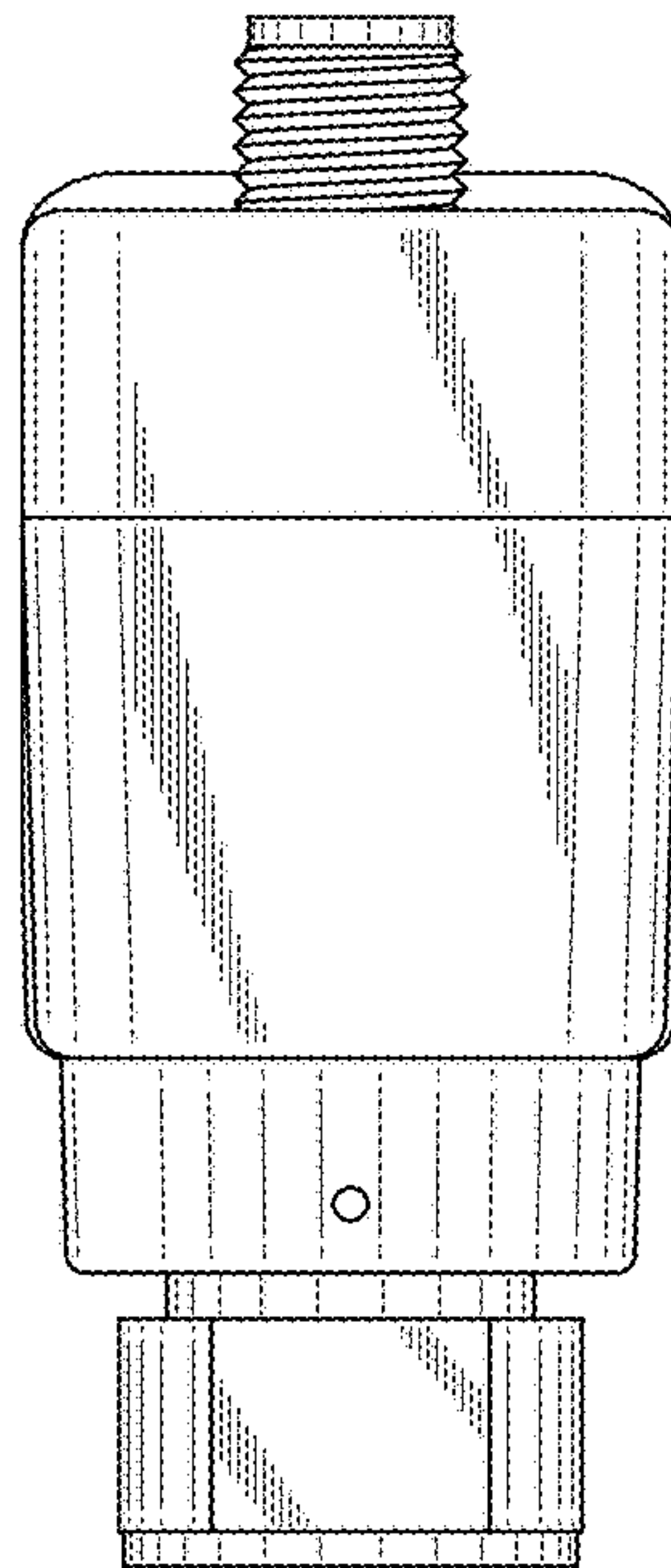


FIG. 5

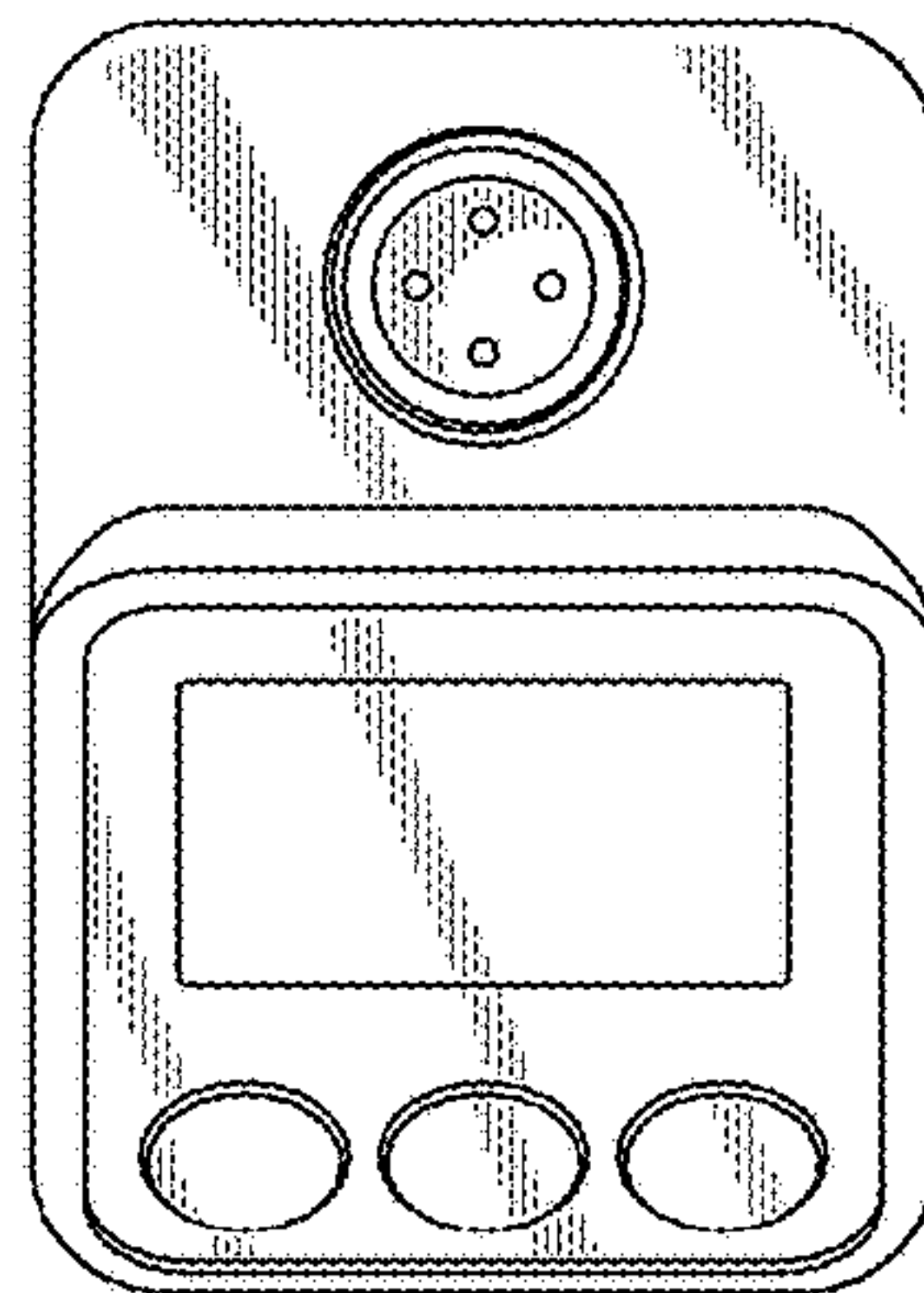


FIG. 6

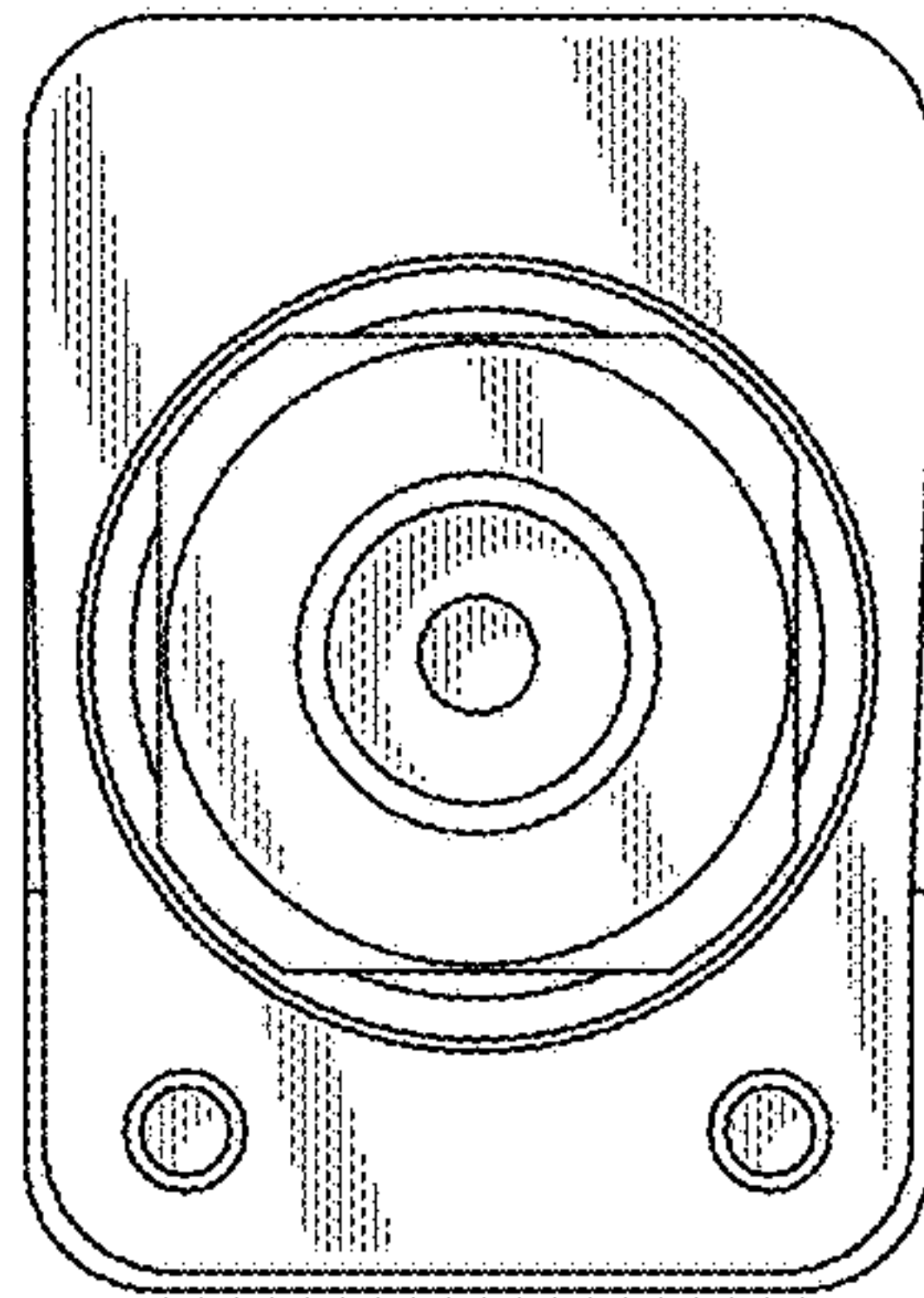


FIG. 7

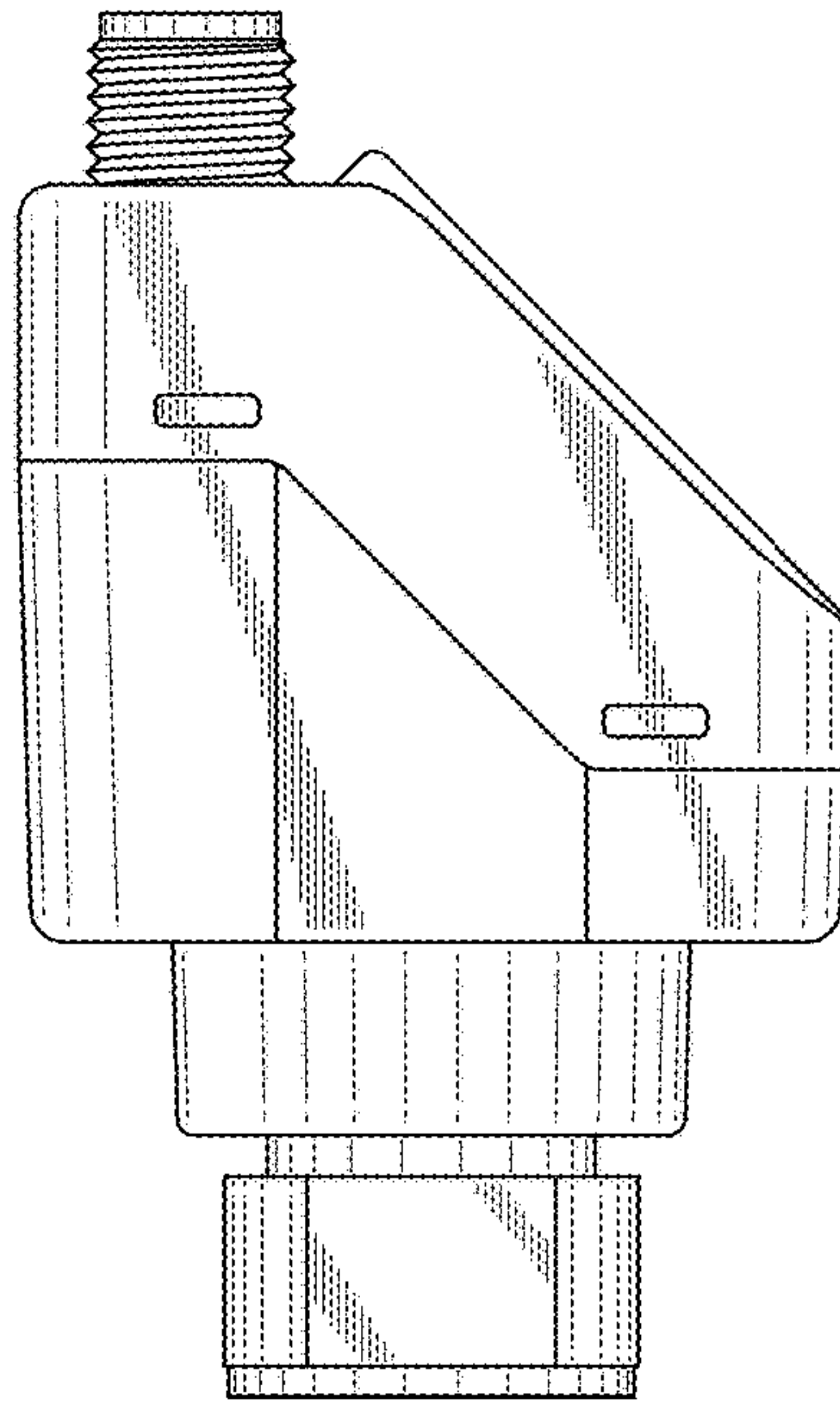


FIG. 8

