



US00D847763S

(12) **United States Design Patent**
Hirayama

(10) **Patent No.:** **US D847,763 S**

(45) **Date of Patent:** **** May 7, 2019**

(54) **OUTLET COVER**

(71) Applicants: **Rinta Hirayama**, Shizuoka-shi,
Shizuoka (JP); **Ai Hirayama**,
Shizuoka-shi, Shizuoka (JP)

(72) Inventor: **Akiteru Hirayama**, Shizuoka (JP)

(73) Assignees: **Rinta Hirayama**, Shizuoka (JP); **Ai Hirayama**, Shizuoka (JP)

(**) Term: **15 Years**

(21) Appl. No.: **29/634,919**

(22) Filed: **Jan. 25, 2018**

(30) **Foreign Application Priority Data**

Aug. 16, 2017 (JP) D2017019025

(51) **LOC (11) Cl.** **13-03**

(52) **U.S. Cl.**
USPC **D13/156**

(58) **Field of Classification Search**

USPC D13/110, 123, 133, 137.1, 139.1, 139.4,
D13/152, 154, 155, 156, 158, 162, 164,
D13/169, 173, 177, 184; D8/349-351,
D8/353; 174/67, 66; D26/26, 51, 85
CPC H01R 13/447; H01R 13/6395;
H01R 13/639; H01R 13/6397; H02G
3/10; H02G 3/12

See application file for complete search history.

(56) **References Cited**

U.S. PATENT DOCUMENTS

D261,135 S * 10/1981 Home 174/67
4,685,581 A * 8/1987 Kaneda H02G 3/123
220/3.2

D327,212 S * 6/1992 Hubben D8/353
D401,566 S * 11/1998 Gesmondi D13/177
D466,085 S * 11/2002 Heggem D13/152
D495,301 S * 8/2004 Newell D13/152
8,049,107 B2 * 11/2011 Dinh H02G 3/18
174/50
8,445,780 B1 * 5/2013 Robins H02G 3/14
174/481
D703,083 S * 4/2014 Saikawa D10/121
D811,348 S * 2/2018 Cueller D13/152
2004/0238197 A1 * 12/2004 Gates, II H01R 25/006
174/53

* cited by examiner

Primary Examiner — Derrick E Holland

Assistant Examiner — Jennifer O King

(74) *Attorney, Agent, or Firm* — Myers Wolin, LLC

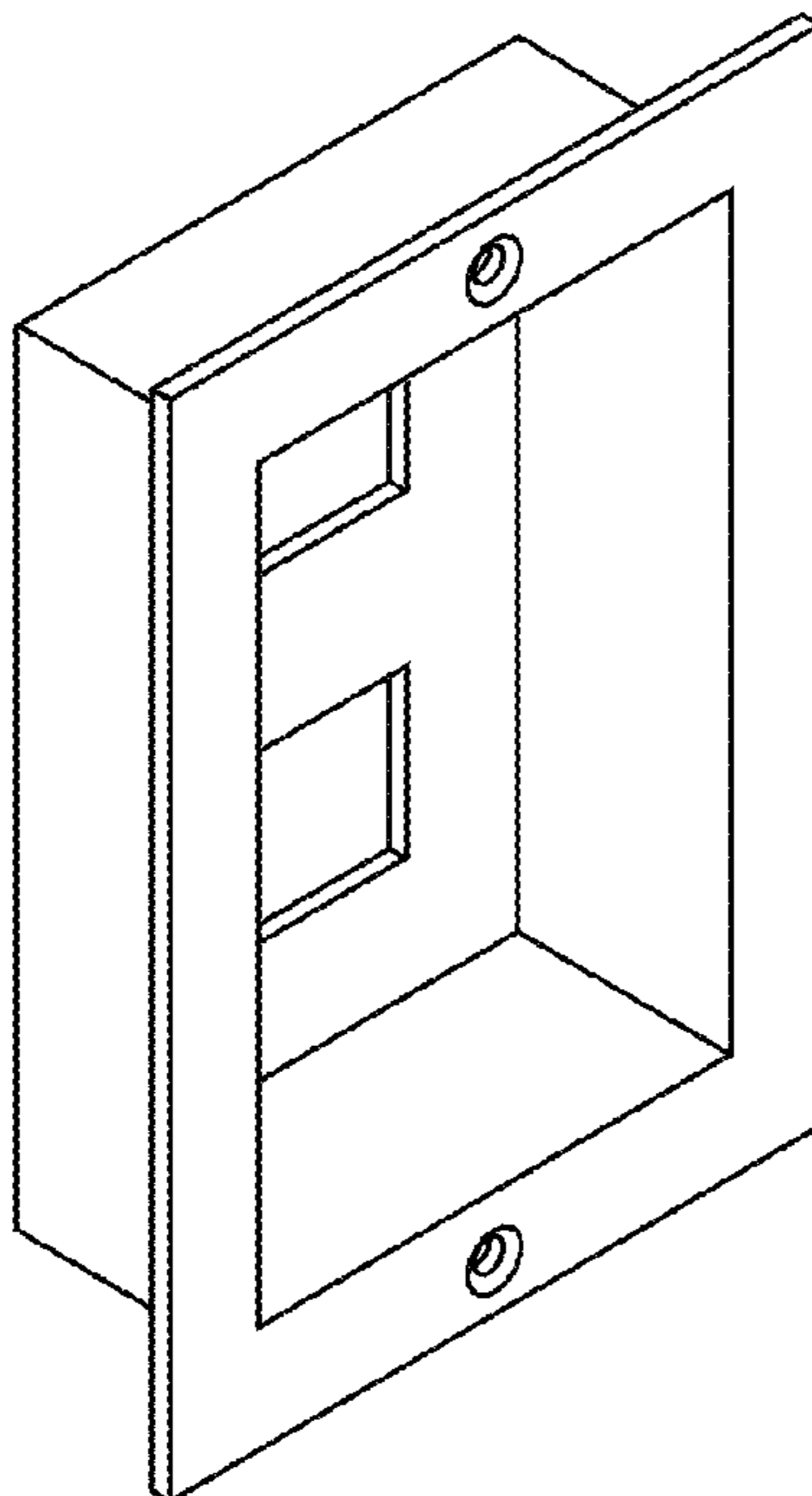
(57) **CLAIM**

The ornamental design for an outlet cover, as shown and described.

DESCRIPTION

FIG. 1 is a perspective view of an outlet cover showing my design;
FIG. 2 is a front elevational view thereof;
FIG. 3 is a left side elevational view thereof, the right side elevational view being a mirror image thereof;
FIG. 4 is a rear elevational view thereof;
FIG. 5 is a top plan view thereof, the bottom plan view being a mirror image thereof; and,
FIG. 6 is a cross sectional view taken through line 6-6 of FIG. 2.

1 Claim, 2 Drawing Sheets



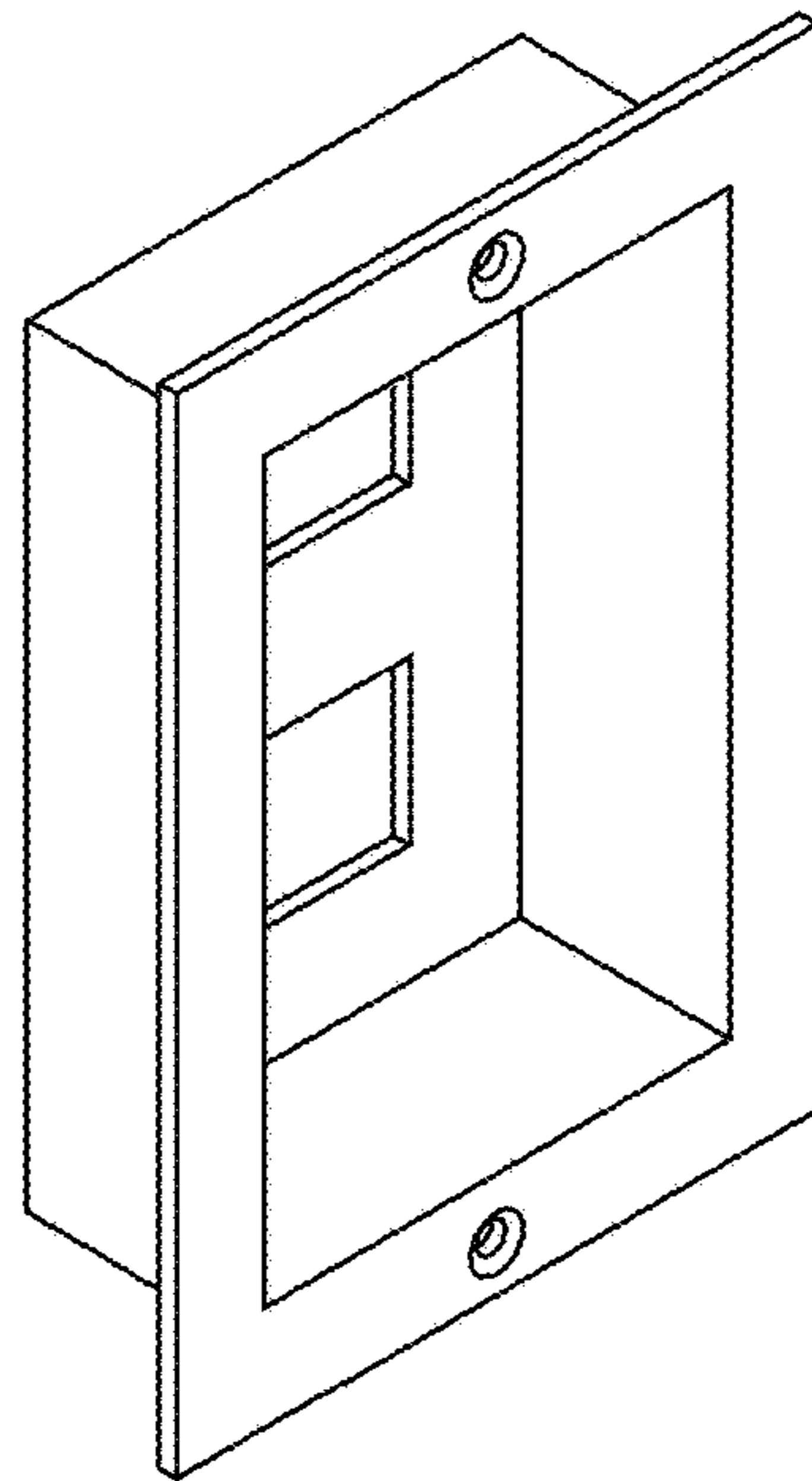


FIG. 1

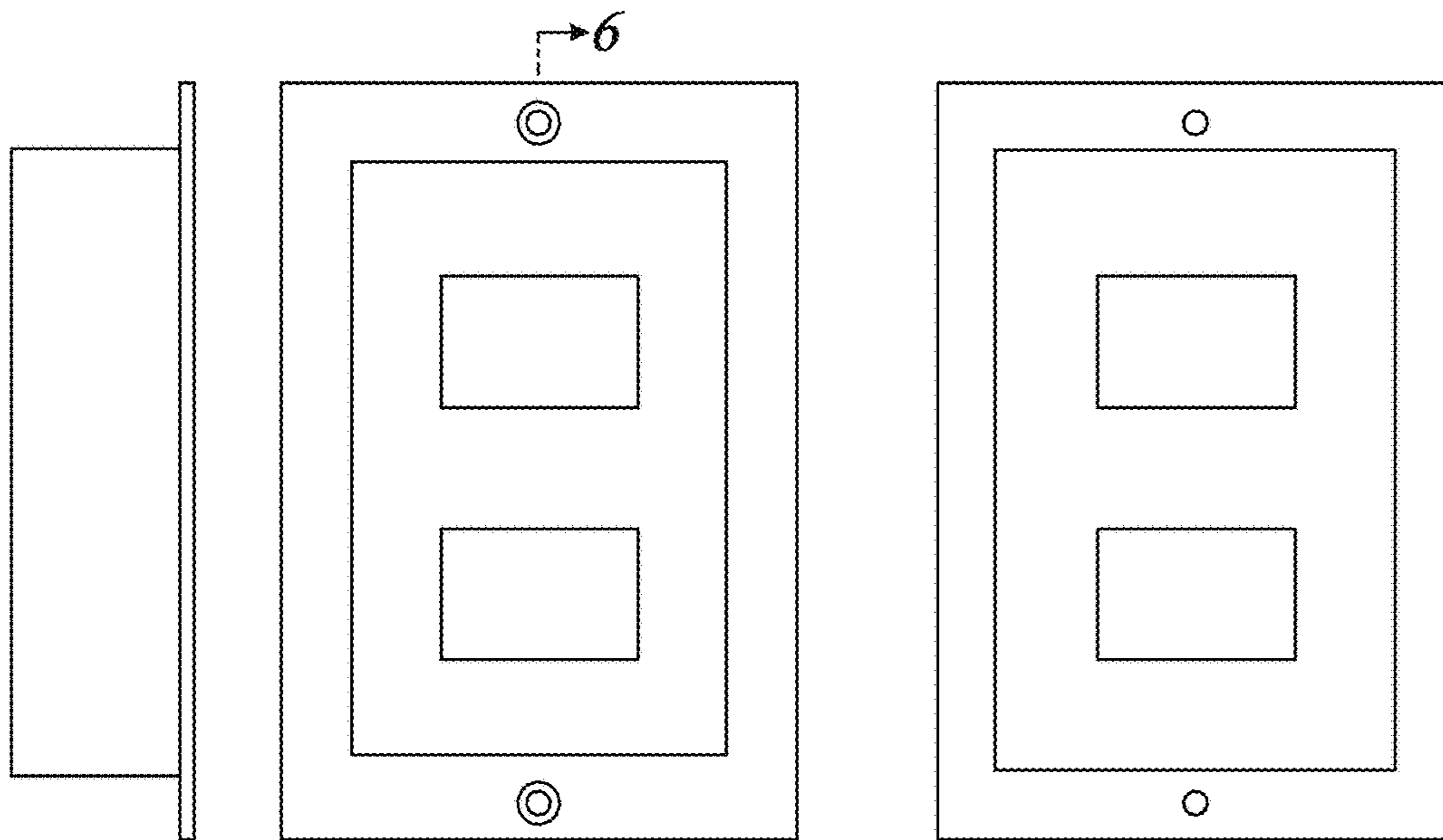


FIG. 3

FIG. 2

FIG. 4



FIG. 5

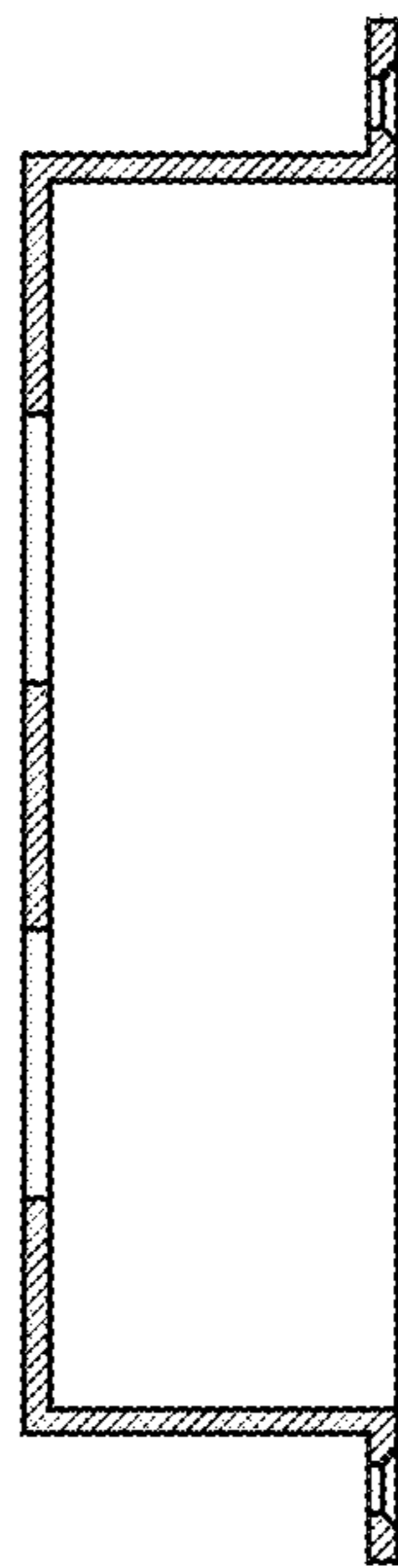


FIG. 6