



US00D847762S

(12) **United States Design Patent** (10) **Patent No.:** **US D847,762 S**  
**Miyamoto** (45) **Date of Patent:** **\*\* \*May 7, 2019**

(54) **ELECTRICAL CONTACT**  
(71) Applicant: **EBARA CORPORATION**, Tokyo (JP)  
(72) Inventor: **Matsutaro Miyamoto**, Tokyo (JP)  
(73) Assignee: **EBARA CORPORATION**, Tokyo (JP)  
(\* ) Notice: This patent is subject to a terminal disclaimer.  
(\*\*) Term: **15 Years**  
(21) Appl. No.: **29/647,662**  
(22) Filed: **May 15, 2018**

**Related U.S. Application Data**

(62) Division of application No. 29/562,570, filed on Apr. 27, 2016.

(30) **Foreign Application Priority Data**

Nov. 27, 2015 (JP) ..... 2015-026511  
Nov. 27, 2015 (JP) ..... 2015-026512  
Nov. 27, 2015 (JP) ..... 2015-026513  
Nov. 27, 2015 (JP) ..... 2015-026514

(51) **LOC (11) Cl.** ..... **13-03**  
(52) **U.S. Cl.**  
USPC ..... **D13/154**

(58) **Field of Classification Search**  
USPC ..... D13/118, 120, 123, 133, 146, 147, 148, D13/154, 184, 199  
CPC ... H01R 4/16; H01R 4/18; H01R 4/20; H01R 43/02; H01R 43/048; H01R 9/24; H01R 9/048; H01R 13/05; H01R 13/11; H01R 13/245; H01R 13/2464; H01R 13/26; H01R 13/432; H01R 13/506; H01R 13/52; H01R 13/533; H01R 13/627; H01R 13/629  
See application file for complete search history.

(56) **References Cited**  
U.S. PATENT DOCUMENTS  
7,078,614 B1 \* 7/2006 Van Haaster ..... H05K 9/0016 174/355  
D555,595 S \* 11/2007 Yahagi ..... D13/148  
D556,692 S \* 12/2007 Yahagi ..... D13/148  
D651,178 S \* 12/2011 Fujikata ..... D13/148  
D669,439 S \* 10/2012 Fujikata ..... D13/148  
D706,224 S \* 6/2014 Kimura ..... D13/154  
D717,736 S \* 11/2014 Kimura ..... D13/154  
D719,101 S \* 12/2014 Kimura ..... D13/154  
8,933,346 B1 \* 1/2015 Kramer ..... H05K 9/0016 174/354

(Continued)

**FOREIGN PATENT DOCUMENTS**

JP D1533511 9/2015  
JP D1533730 9/2015  
JP D1533731 9/2015

*Primary Examiner* — Daniel D Bui  
(74) *Attorney, Agent, or Firm* — Pearne & Gordon LLP

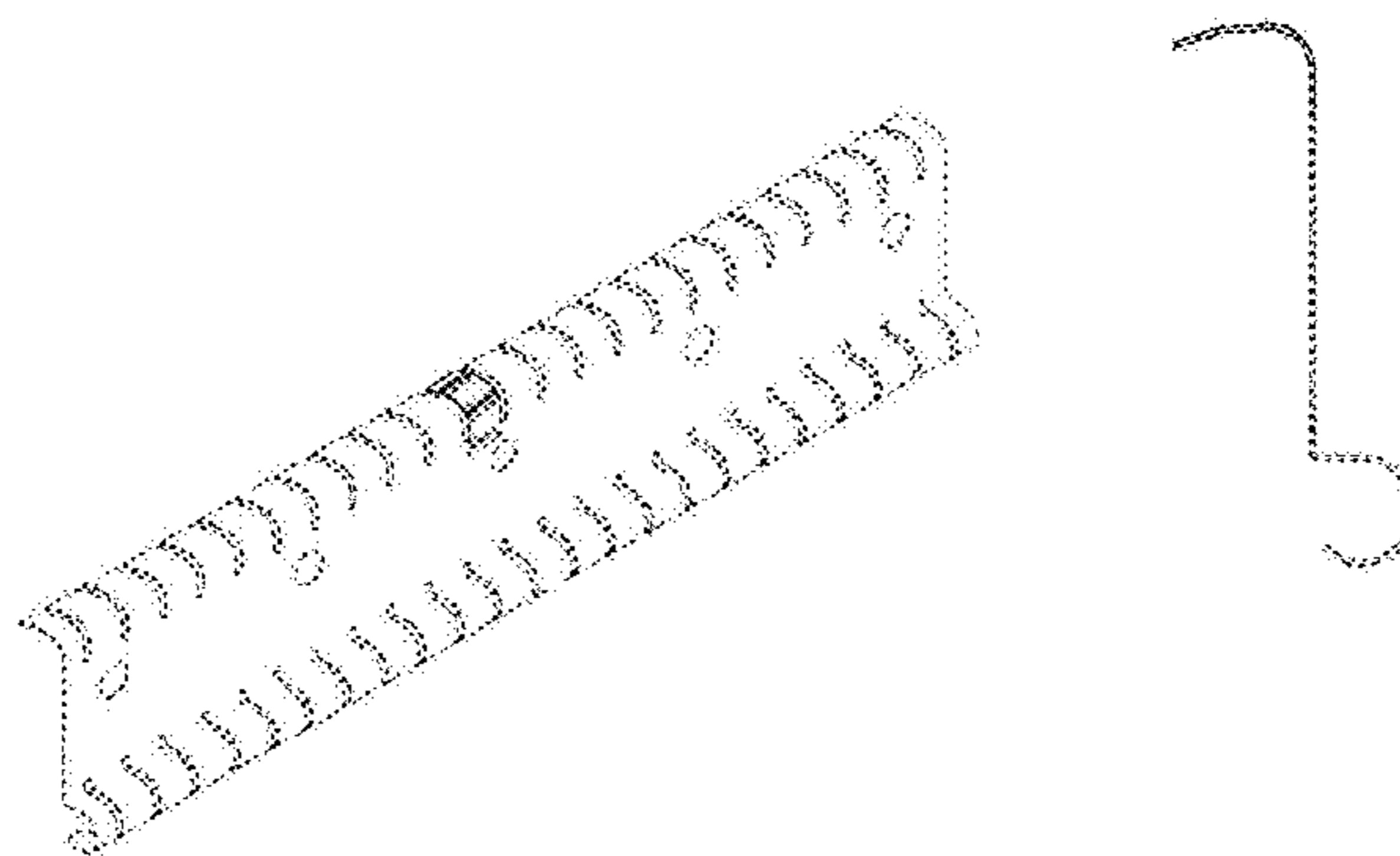
(57) **CLAIM**

The ornamental design for an electrical contact, as shown and described.

**DESCRIPTION**

FIG. 1 is a front perspective view of an electrical contact showing my new design;  
FIG. 2 is a rear perspective view thereof;  
FIG. 3 is a front view thereof;  
FIG. 4 is a rear view thereof;  
FIG. 5 is a top view thereof;  
FIG. 6 is a bottom view thereof;  
FIG. 7 is a right-side view thereof, a left side view being a mirror image; and,  
FIG. 8 is an enlarged cross-sectional view thereof, taken along section line 8-8 of FIG. 3.  
The broken lines depict environmental subject matter only and form no part of the claimed design.

**1 Claim, 3 Drawing Sheets**



(56)

**References Cited**

U.S. PATENT DOCUMENTS

D725,600 S *	3/2015	Fujikata .....	D13/154
D742,329 S *	11/2015	Fujikata .....	D13/154
D758,973 S *	6/2016	Fujikata .....	D13/154
D797,674 S *	9/2017	Miyamoto .....	D13/133
D825,485 S *	8/2018	Wright .....	D13/154
D825,629 S *	8/2018	Miyamoto .....	D15/138
2006/0180347 A1 *	8/2006	Van Haaster .....	H05K 9/0016 174/350
2008/0011510 A1 *	1/2008	Tang .....	H05K 9/0016 174/350
2008/0047745 A1 *	2/2008	Smeltz .....	H05K 9/0016 174/355
2008/0060842 A1 *	3/2008	Barringer .....	H01R 13/6584 174/354

\* cited by examiner

FIG.1

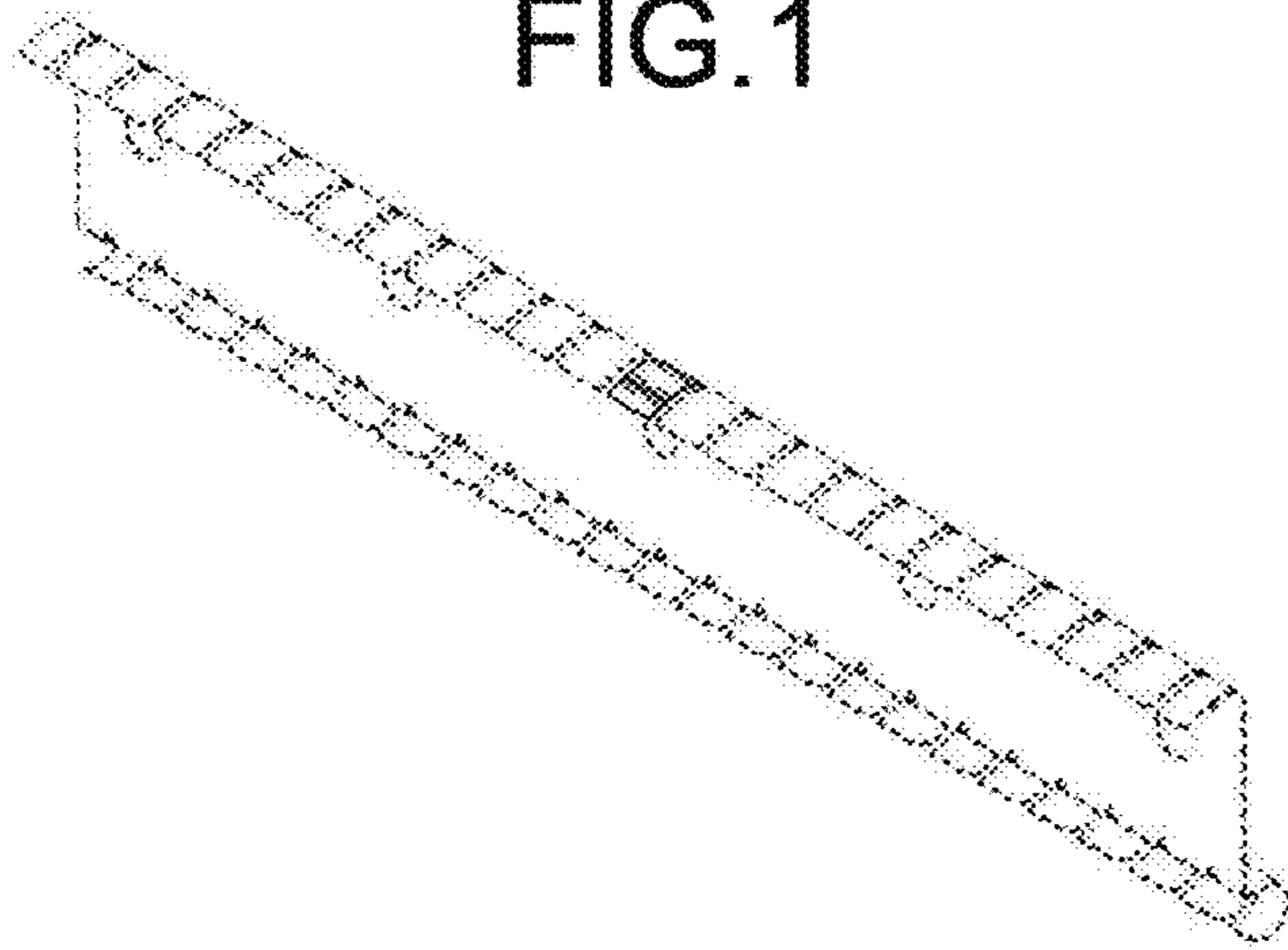


FIG.2

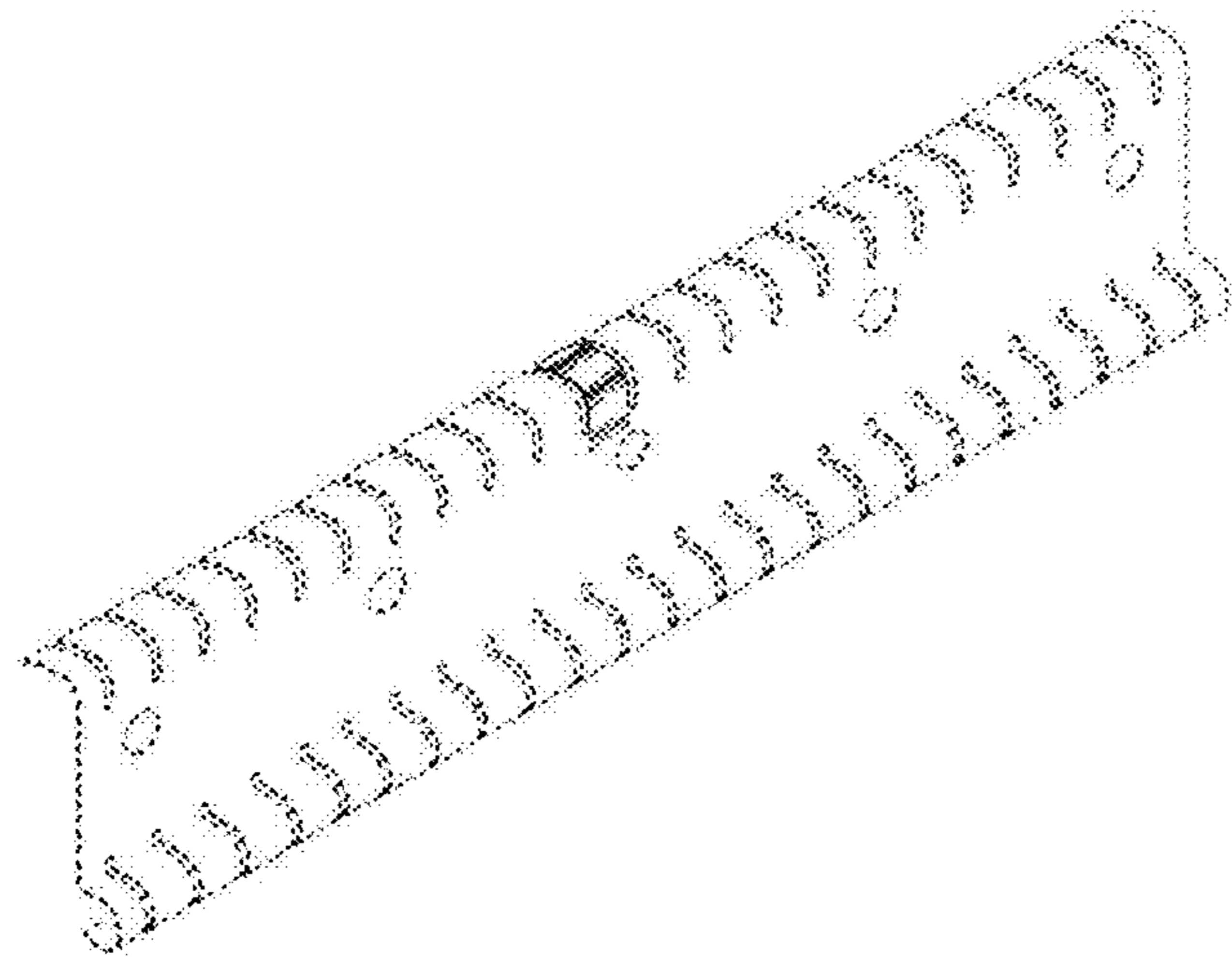


FIG.3

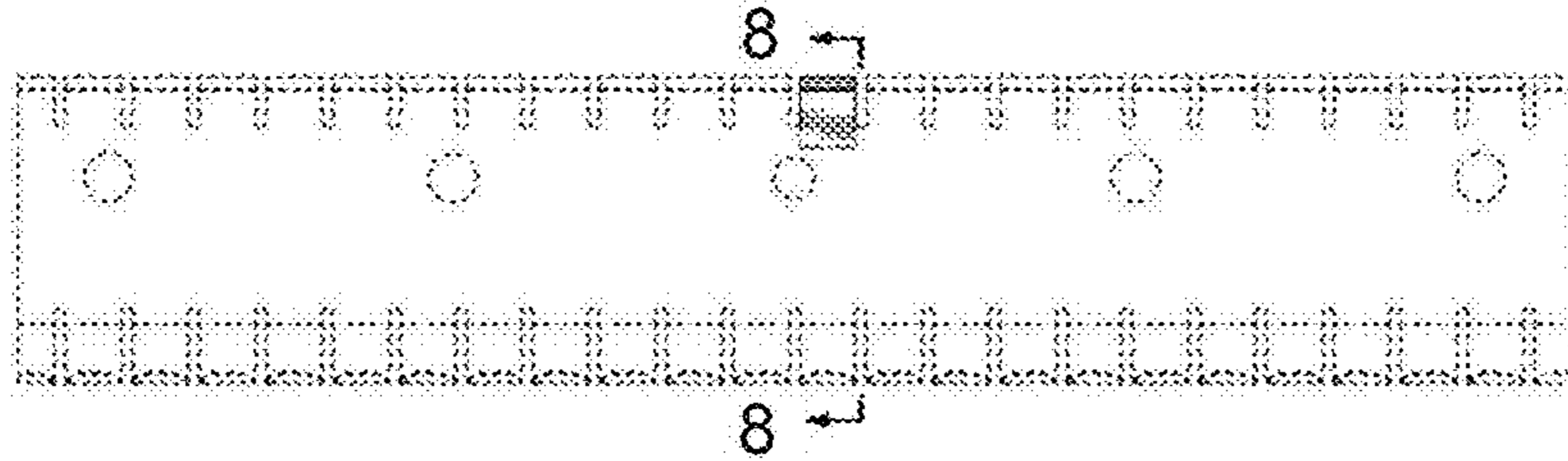


FIG.4

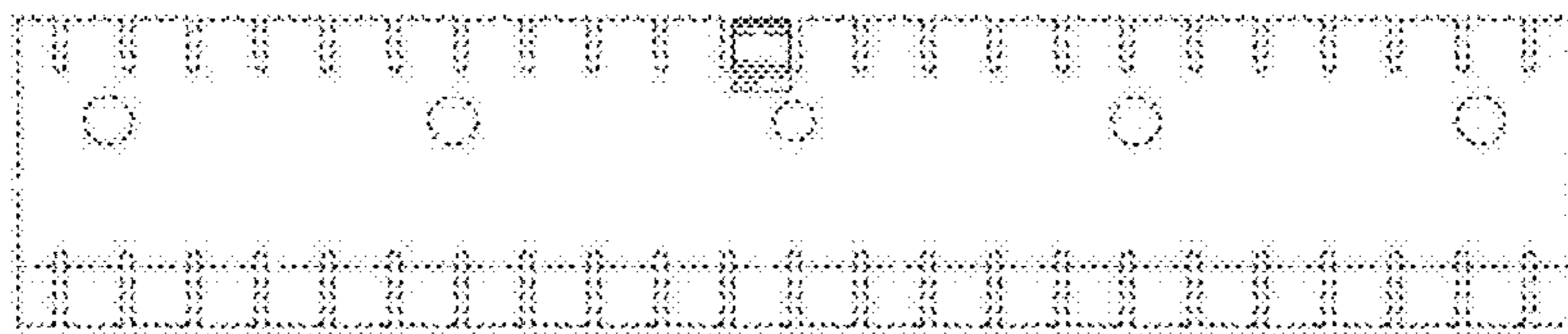


FIG.5



FIG.6



FIG.7

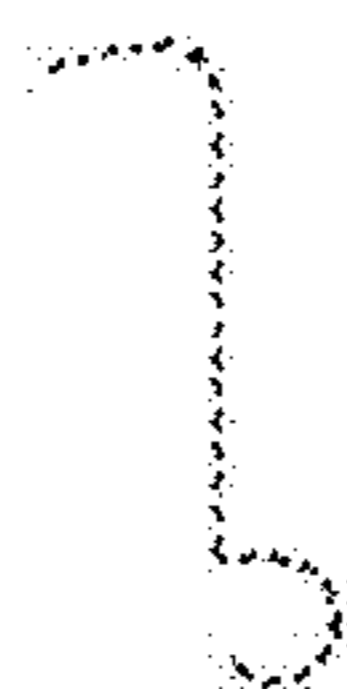


FIG. 8

