



US00D847761S

(12) **United States Design Patent**
Bhagyanathan Sathianathan et al.

(10) **Patent No.:** **US D847,761 S**
(45) **Date of Patent:** **** May 7, 2019**

- (54) **CONNECTOR TERMINAL**
- (71) Applicant: **Molex, LLC**, Lisle, IL (US)
- (72) Inventors: **Dwaraganathan Bhagyanathan Sathianathan**, Lisle, IL (US); **Yves Lepottier**, Lisle, IL (US)
- (73) Assignee: **Molex, LLC**, Lisle, IL (US)
- (**) Term: **15 Years**
- (21) Appl. No.: **29/638,985**
- (22) Filed: **Mar. 2, 2018**
- (51) **LOC (11) Cl.** **13-03**
- (52) **U.S. Cl.**
USPC **D13/154**
- (58) **Field of Classification Search**
USPC D13/133, 154, 147, 184, 199
CPC H01R 9/09; H01R 9/091; H01R 9/098;
H01R 9/22; H01R 9/24; H01R 9/2408;
H01R 9/2691; H01R 9/28; H01R 4/18;
H01R 13/02; H01R 13/15; H01R 13/20;
H01R 13/213; H01R 13/24; H01R
13/2428; H01R 13/2442; H01R 13/26;
H01R 13/33; H01R 13/42; H01R
13/4223; H01R 13/426; H01R 13/432;
H01R 13/506; H01R 13/58; H01R 13/64
See application file for complete search history.

- D556,136 S * 11/2007 Shiga D13/133
- 7,594,832 B2 * 9/2009 Oka H01R 13/03
439/884
- D621,368 S * 8/2010 Lee D13/154
- 7,976,353 B2 * 7/2011 Myer H01R 13/04
439/891
- D762,587 S * 8/2016 Ebisawa D13/154
- D781,239 S * 3/2017 Ikeda D13/154
- D827,576 S * 9/2018 Sugizaki D13/133
- 2016/0344115 A1 * 11/2016 Miyakawa H01R 4/70
- 2017/0040728 A1 * 2/2017 Saito H01R 13/11

* cited by examiner

Primary Examiner — Daniel D Bui

(74) *Attorney, Agent, or Firm* — Banner & Witcoff, Ltd.

(57) **CLAIM**

The ornamental design for a connector terminal, as shown and described.

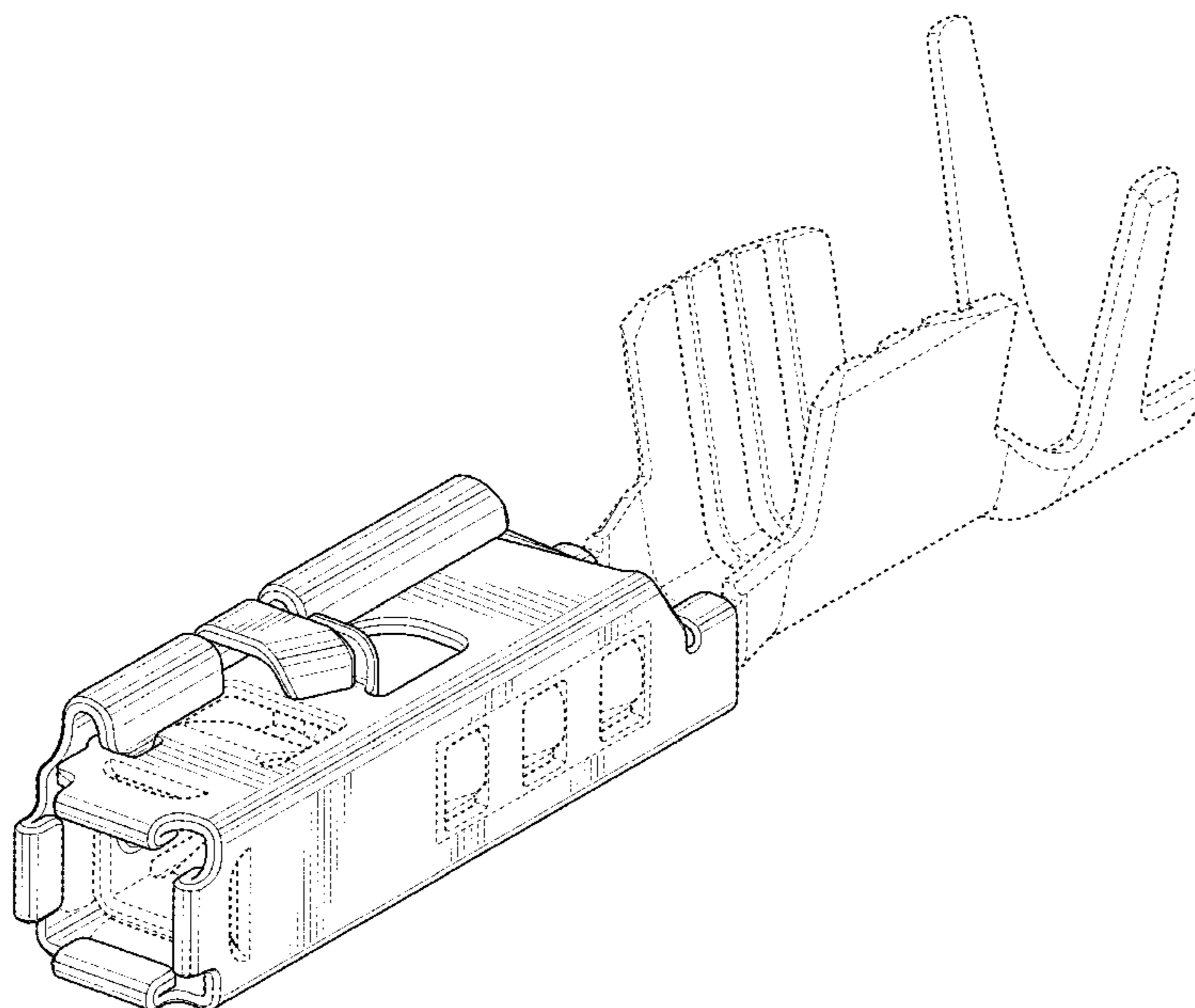
DESCRIPTION

FIG. 1 is a front perspective view of a connector terminal showing our new design;
 FIG. 2 is a left side view thereof;
 FIG. 3 is a right side view thereof;
 FIG. 4 is a top view thereof;
 FIG. 5 is a bottom view thereof;
 FIG. 6 is a front view thereof;
 FIG. 7 is a rear view thereof; and,
 FIG. 8 is a rear perspective view thereof.

The broken lines showing various unshaded regions of the connector terminal illustrate environmental structure and form no part of the claimed design.

1 Claim, 8 Drawing Sheets

- (56) **References Cited**
U.S. PATENT DOCUMENTS
3,363,224 A * 1/1968 Gluntz H01R 13/11
439/852
D553,080 S * 10/2007 Sakamaki D13/133



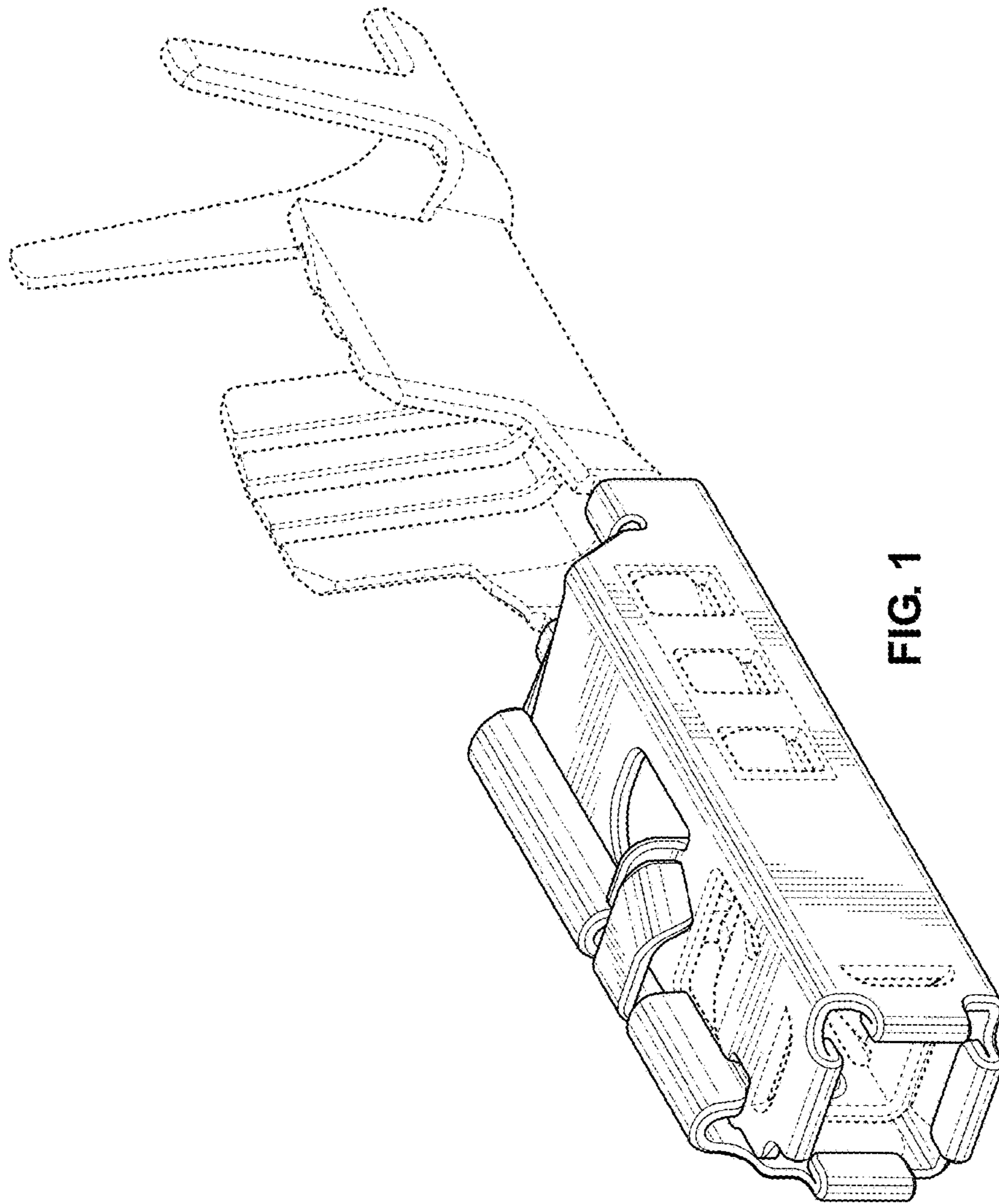


FIG. 1

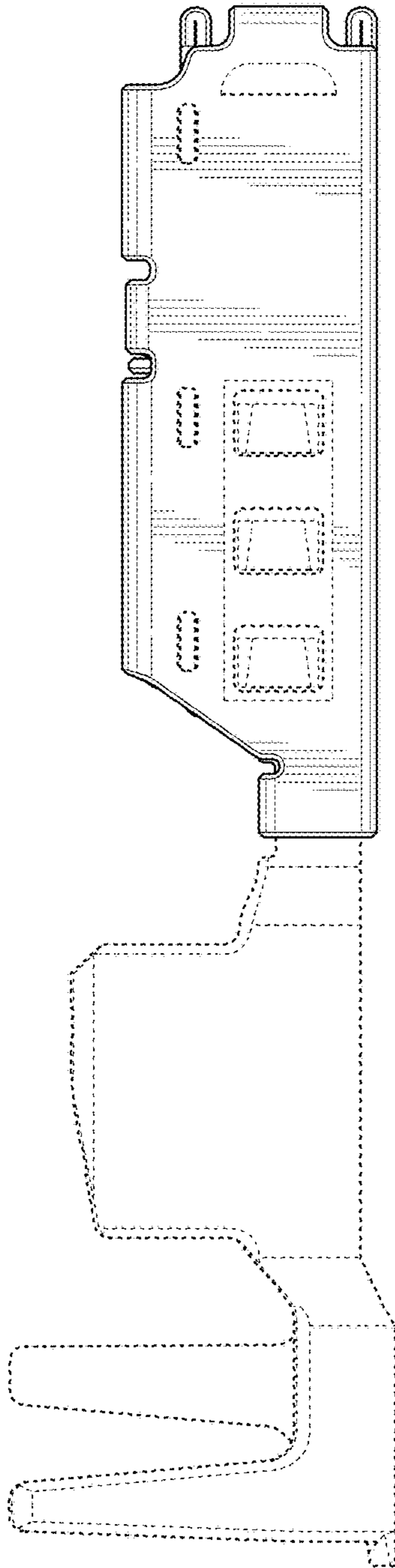


FIG. 2

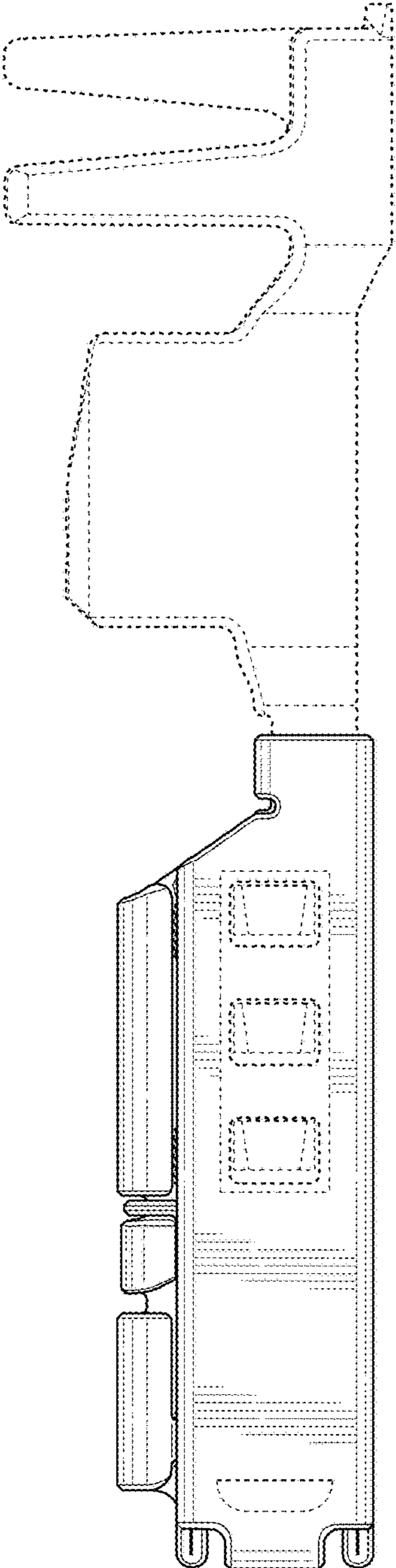


FIG. 3

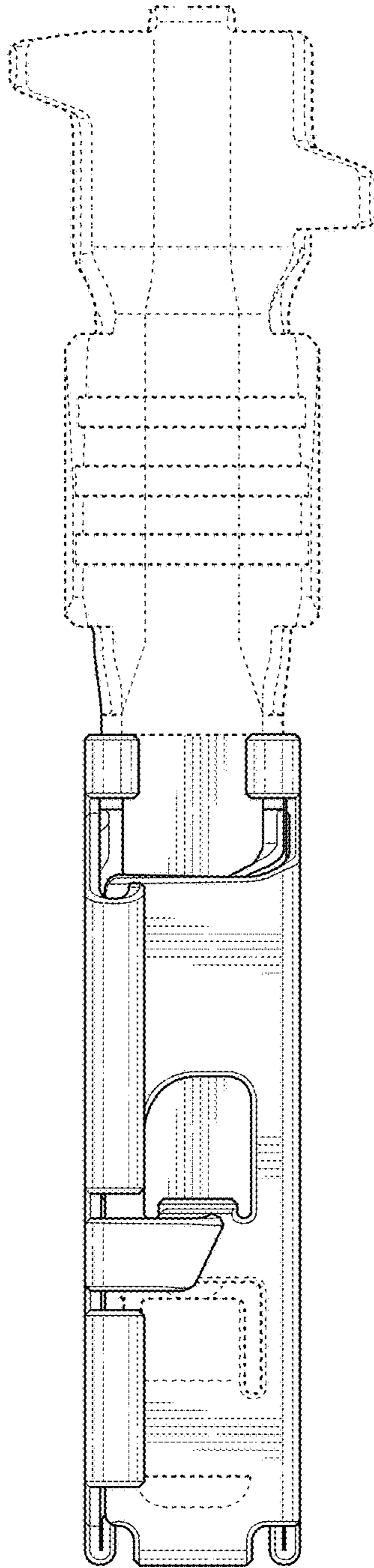


FIG. 4

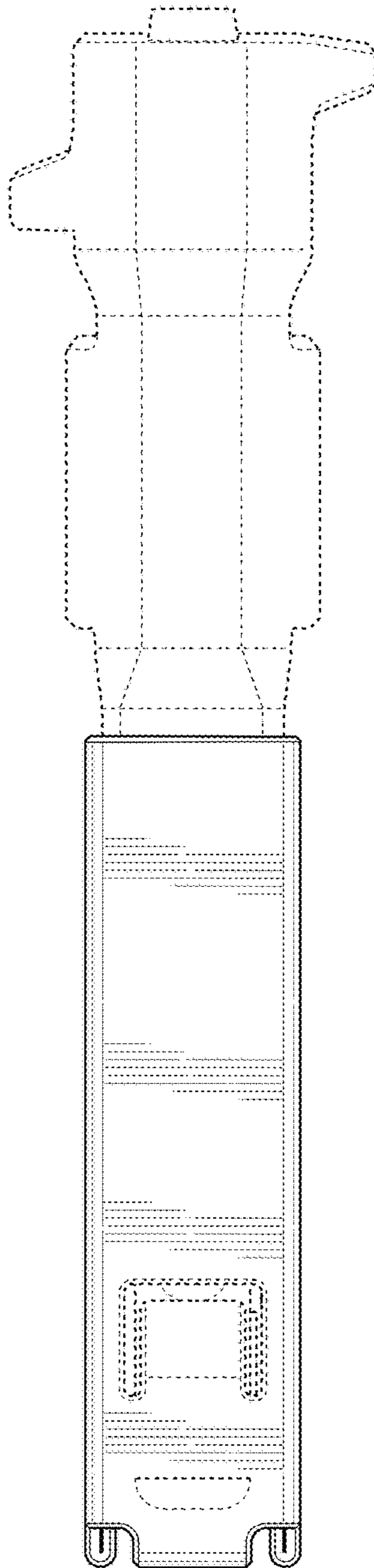


FIG. 5

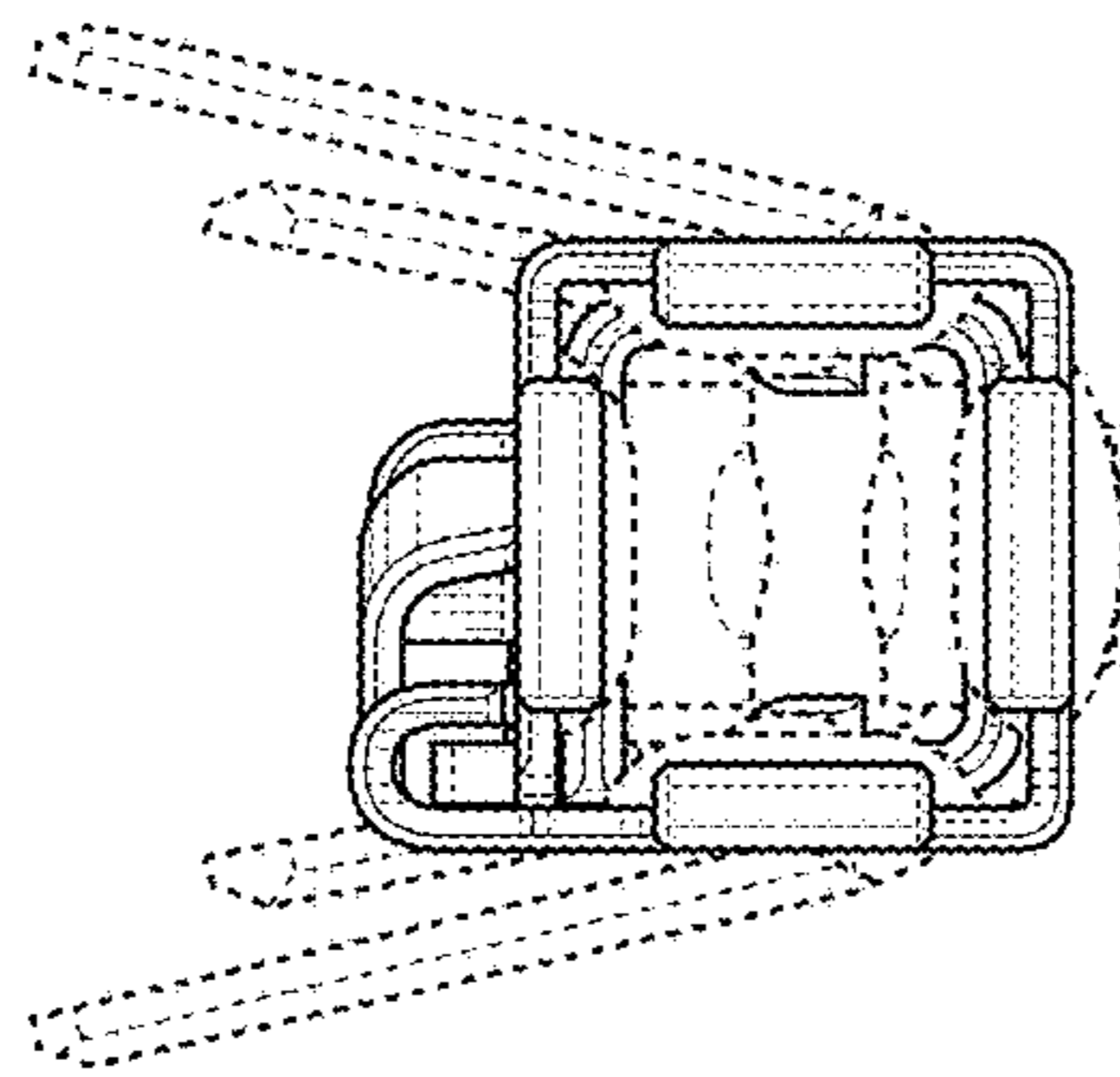


FIG. 6

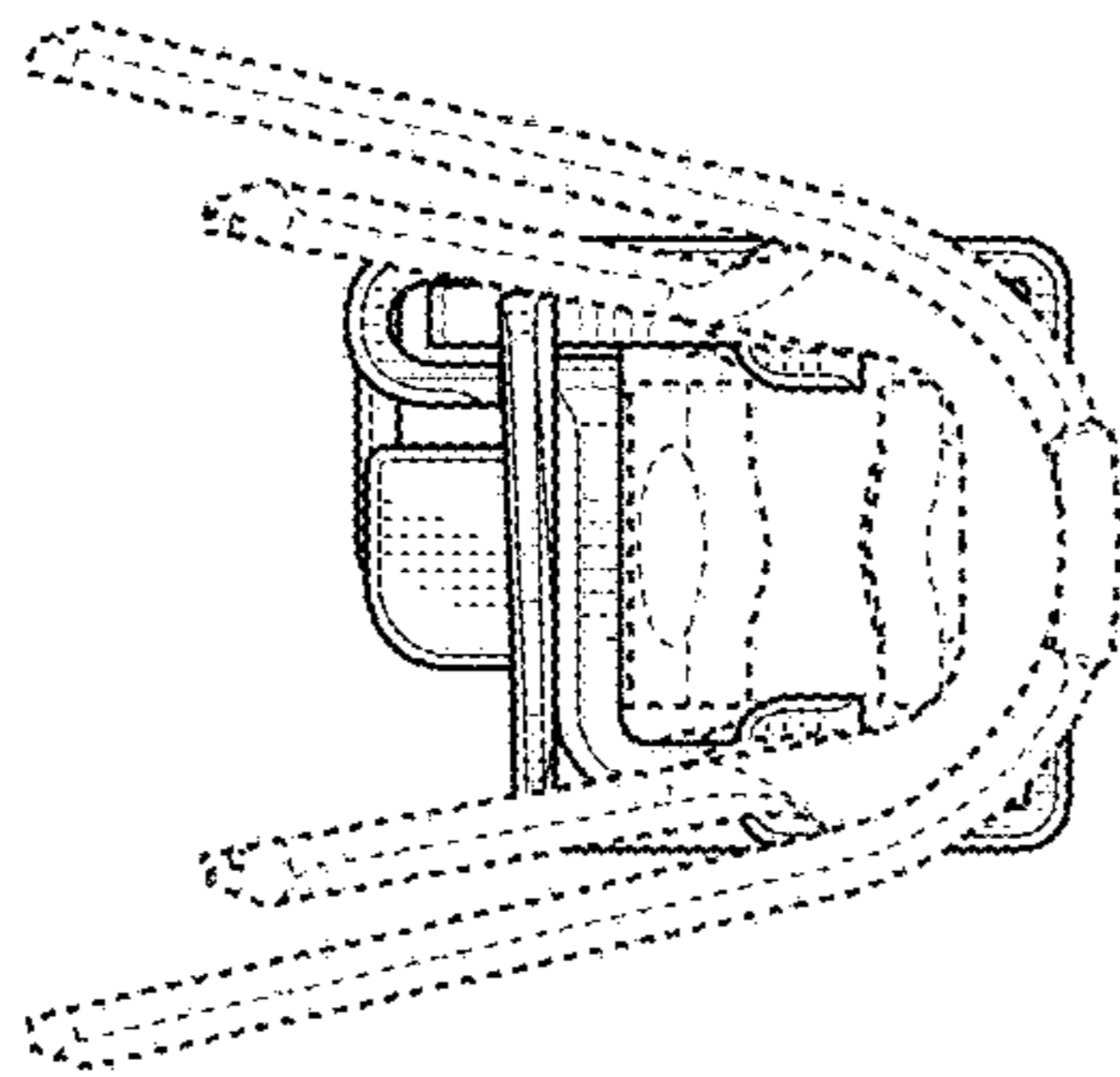


FIG. 7

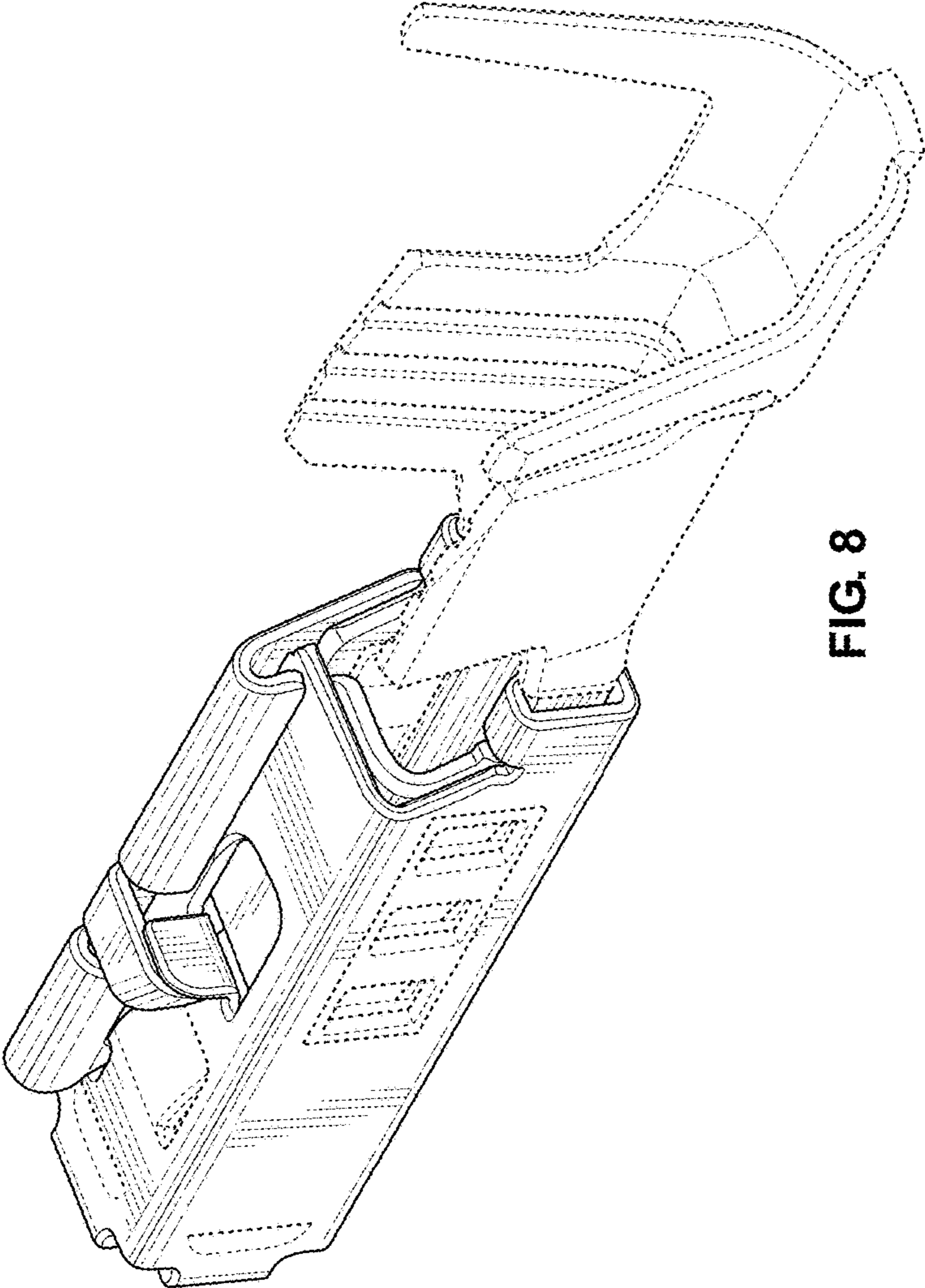


FIG. 8