



US00D847760S

(12) **United States Design Patent** (10) **Patent No.:** **US D847,760 S**  
**Bhagyanathan Sathianathan et al.** (45) **Date of Patent:** **\*\* May 7, 2019**

(54) **CONNECTOR TERMINAL**

(71) Applicant: **Molex, LLC**, Lisle, IL (US)

(72) Inventors: **Dwaraganathan Bhagyanathan Sathianathan**, Lisle, IL (US); **Yves Lepottier**, Lisle, IL (US)

(73) Assignee: **Molex, LLC**, Lisle, IL (US)

(\*\*) Term: **15 Years**

(21) Appl. No.: **29/638,981**

(22) Filed: **Mar. 2, 2018**

(51) **LOC (11) Cl.** ..... **13-03**

(52) **U.S. Cl.**  
 USPC ..... **D13/154**

(58) **Field of Classification Search**  
 USPC ..... D13/133, 154, 147, 184, 199  
 CPC ..... H01R 9/09; H01R 9/091; H01R 9/098;  
 H01R 9/22; H01R 9/24; H01R 9/2408;  
 H01R 9/2691; H01R 9/28; H01R 4/18;  
 H01R 13/02; H01R 13/15; H01R 13/20;  
 H01R 13/213; H01R 13/24; H01R  
 13/2428; H01R 13/2442; H01R 13/26;  
 H01R 13/33; H01R 13/42; H01R  
 13/4223; H01R 13/426; H01R 13/432;  
 H01R 13/506; H01R 13/58; H01R 13/64  
 See application file for complete search history.

D556,136 S \* 11/2007 Shiga ..... D13/133  
 7,594,832 B2 \* 9/2009 Oka ..... H01R 13/03  
 439/884

D621,368 S \* 8/2010 Lee ..... D13/154  
 7,976,353 B2 \* 7/2011 Myer ..... H01R 13/04  
 439/891

D762,587 S \* 8/2016 Ebisawa ..... D13/154  
 D781,239 S \* 3/2017 Ikeda ..... D13/154  
 D827,576 S \* 9/2018 Sugizaki ..... D13/133

2016/0344115 A1 \* 11/2016 Miyakawa ..... H01R 4/70  
 2017/0040728 A1 \* 2/2017 Saito ..... H01R 13/11

\* cited by examiner

*Primary Examiner* — Daniel D Bui  
 (74) *Attorney, Agent, or Firm* — Banner & Witcoff, Ltd.

(57) **CLAIM**

The ornamental design for a connector terminal, as shown and described.

**DESCRIPTION**

FIG. 1 is a front perspective view of a connector terminal showing our new design;  
 FIG. 2 is a left side view thereof;  
 FIG. 3 is a right side view thereof;  
 FIG. 4 is a top view thereof;  
 FIG. 5 is a bottom view thereof;  
 FIG. 6 is a front view thereof;  
 FIG. 7 is a rear view thereof; and,  
 FIG. 8 is a rear perspective view thereof.

The broken lines showing various unshaded regions of the connector terminal illustrate environmental structure and form no part of the claimed design.

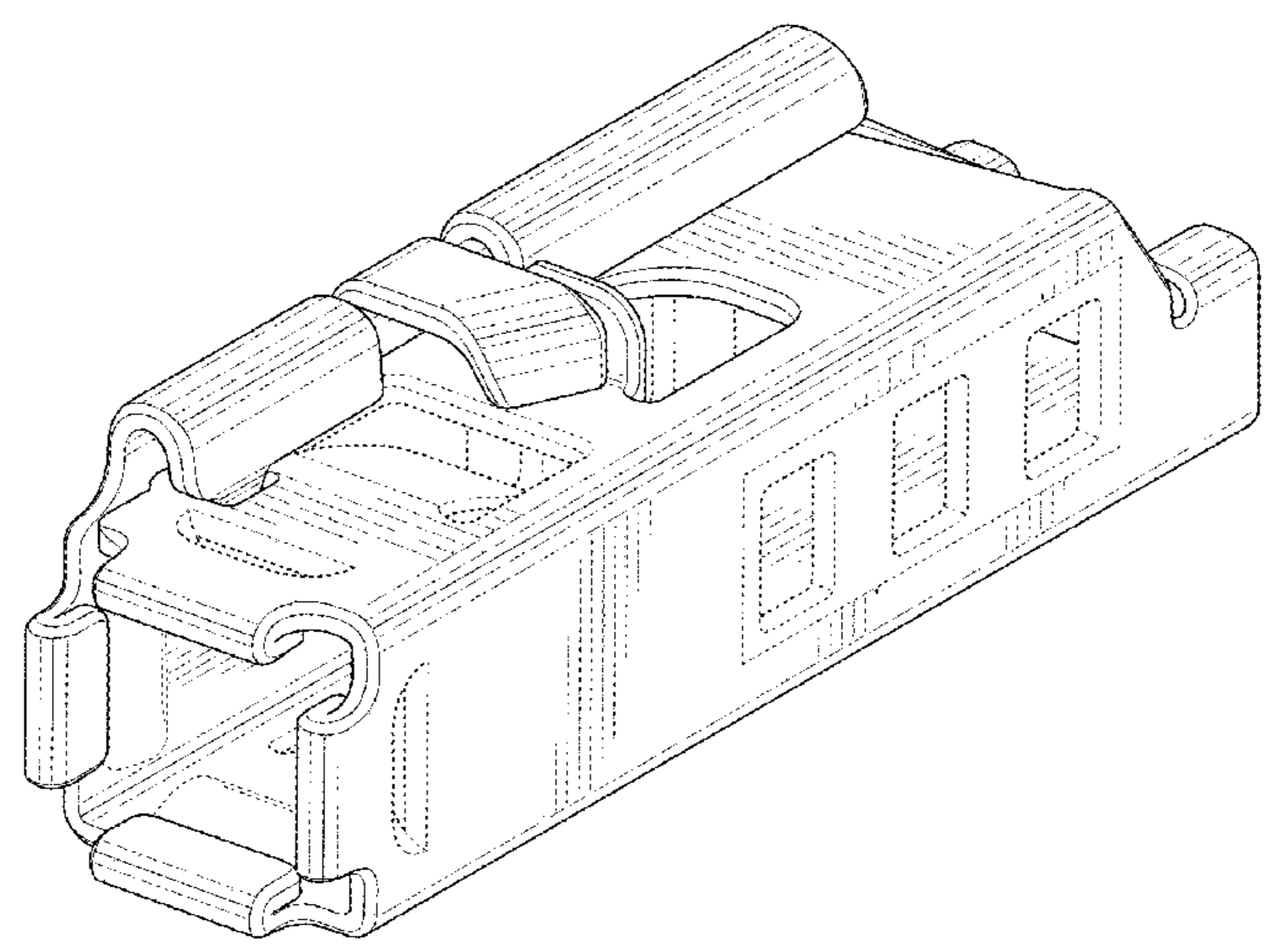
(56) **References Cited**

U.S. PATENT DOCUMENTS

3,363,224 A \* 1/1968 Gluntz ..... H01R 13/11  
 439/852

D553,080 S \* 10/2007 Sakamaki ..... D13/133

**1 Claim, 8 Drawing Sheets**



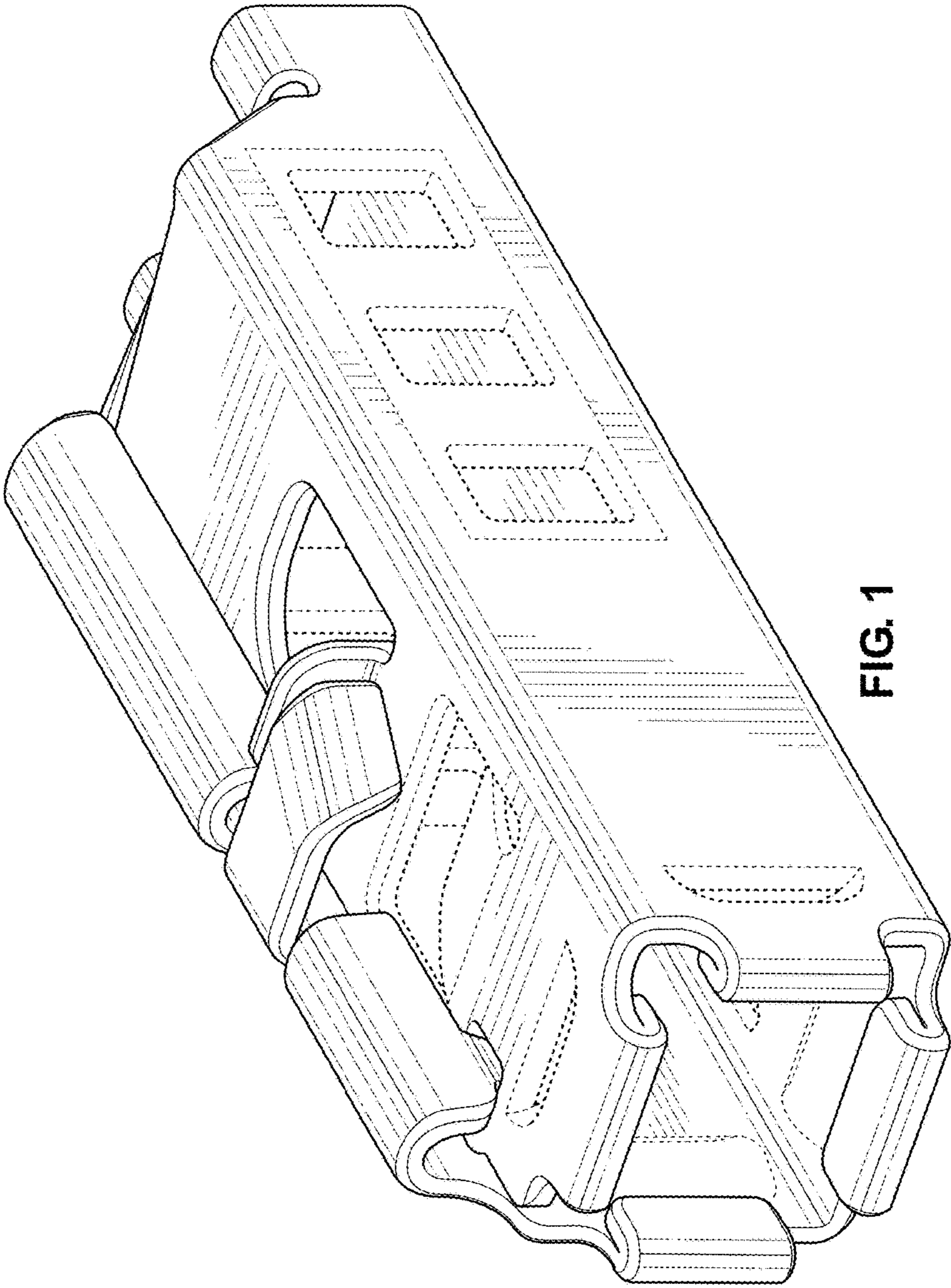


FIG. 1

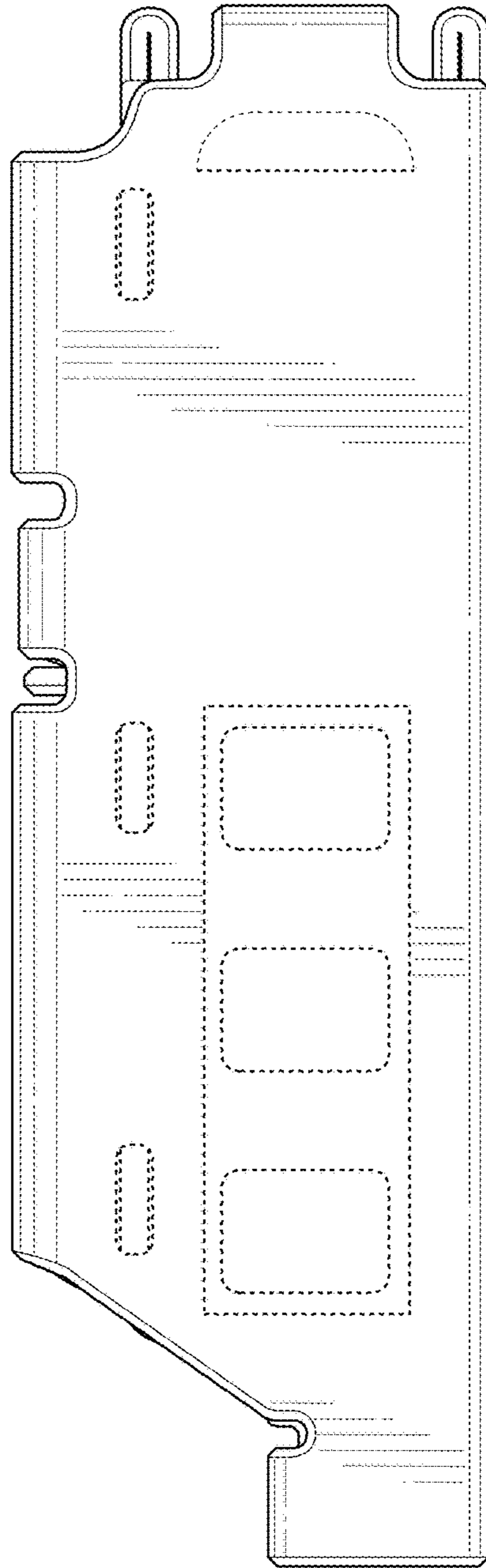


FIG. 2

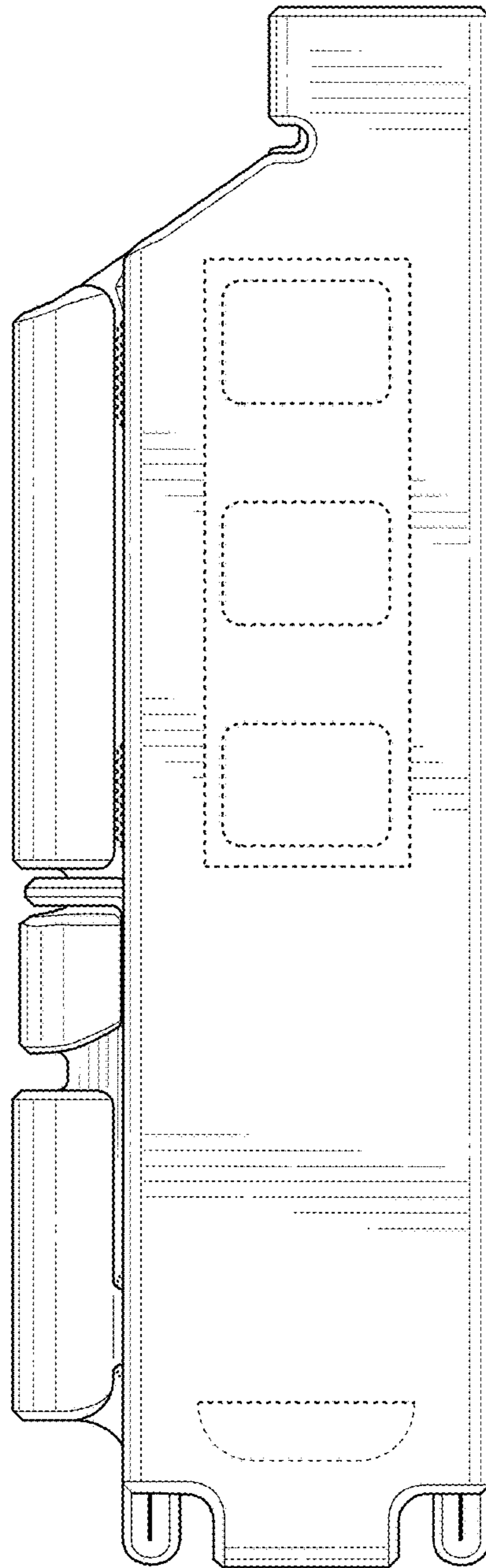


FIG. 3



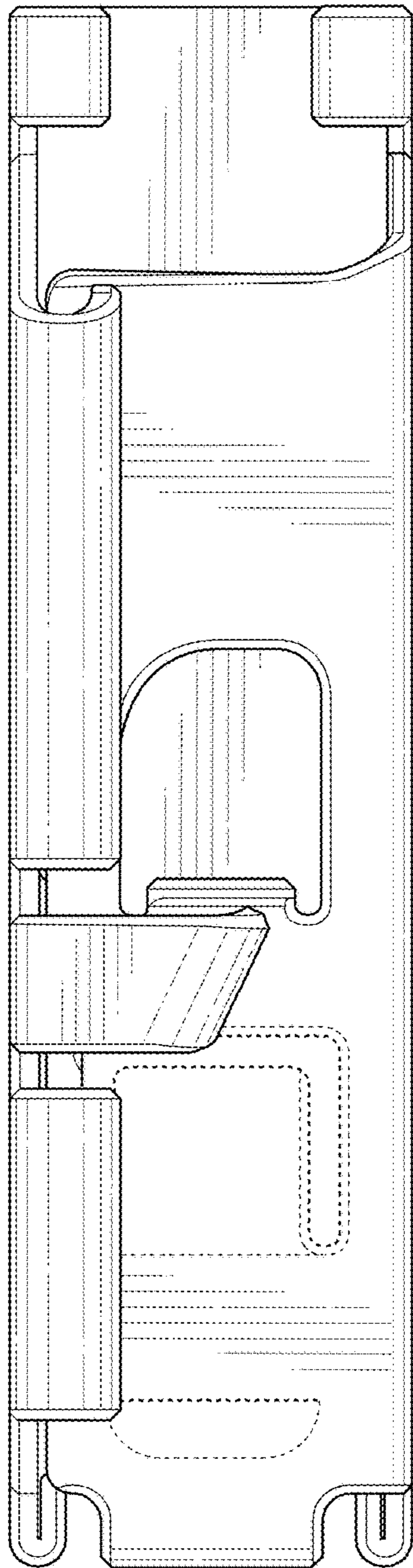


FIG. 4

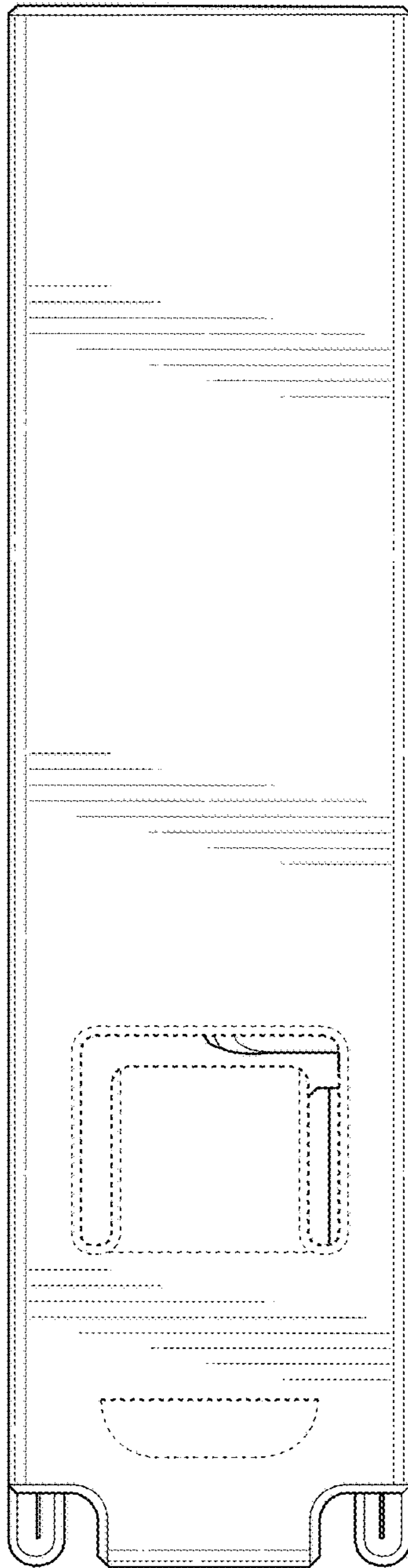


FIG. 5

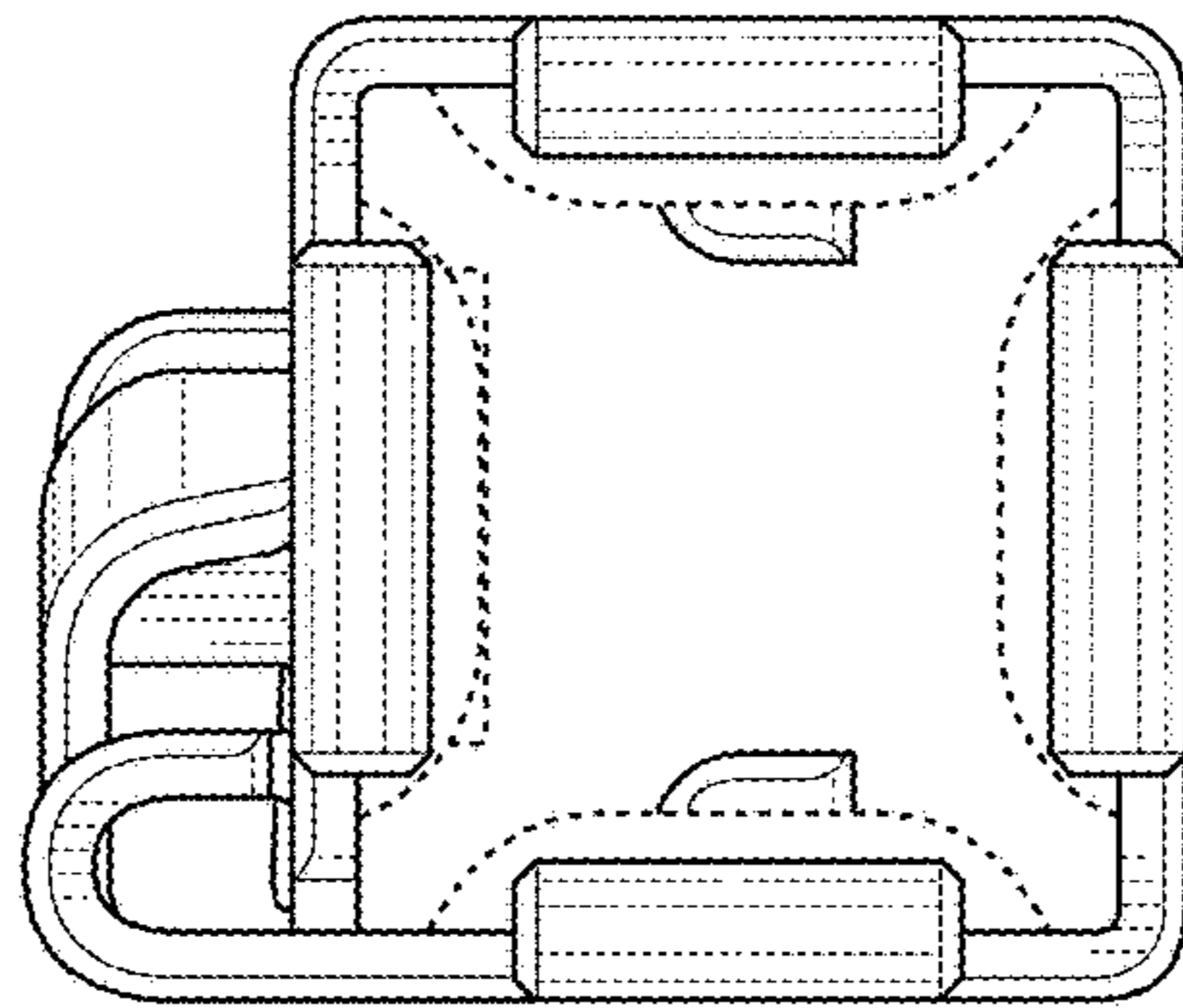


FIG. 6

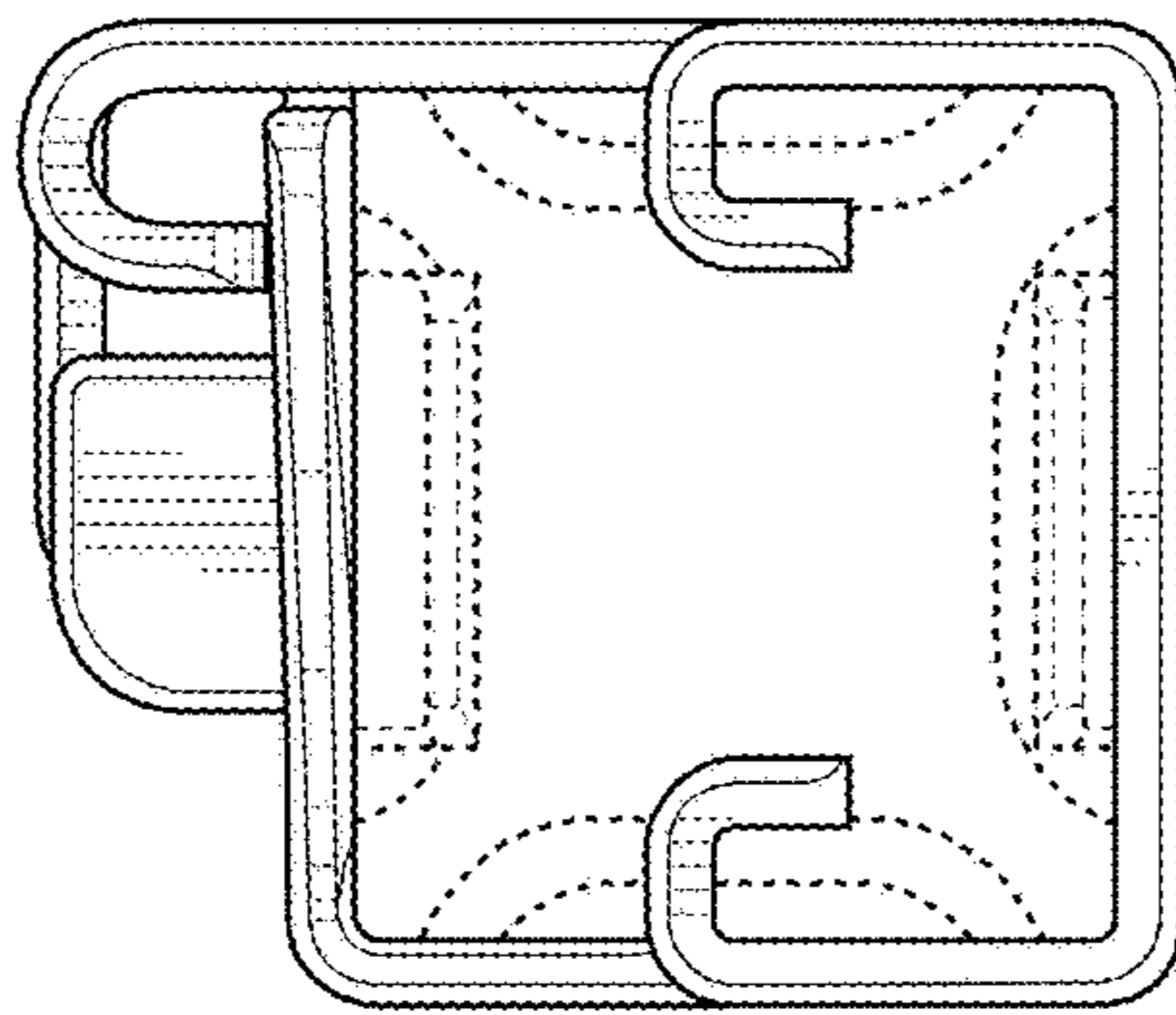


FIG. 7



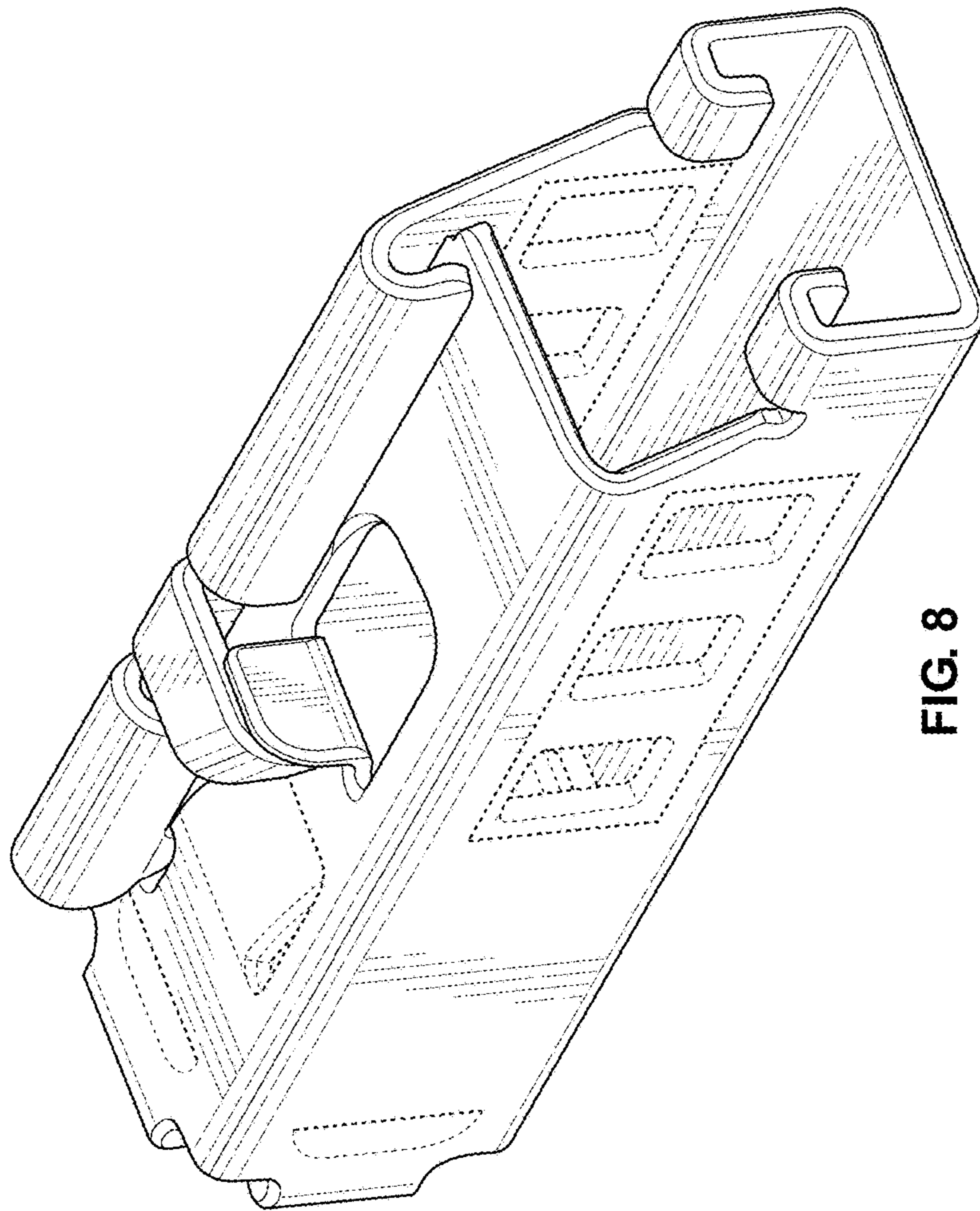


FIG. 8