



US00D847758S

(12) **United States Design Patent** (10) **Patent No.:** **US D847,758 S**
Chadbourne et al. (45) **Date of Patent:** **** May 7, 2019**

(54) **ILLUMINATED FIBER AND HOUSING ASSEMBLY**

(71) Applicant: **Molex, LLC**, Lisle, IL (US)

(72) Inventors: **Richard Chadbourne**, Lisle, IL (US);
Rachel Low, LaGrange, IL (US)

(73) Assignee: **Molex, LLC**, Lisle, IL (US)

(**) Term: **15 Years**

(21) Appl. No.: **29/630,349**

(22) Filed: **Dec. 20, 2017**

(51) **LOC (11) Cl.** **13-03**

(52) **U.S. Cl.**
USPC **D13/154**; D13/153

(58) **Field of Classification Search**
USPC D13/133, 153, 154, 155, 156; D14/205,
D14/218; D26/27
CPC .. G02B 6/3833; G02B 6/3834; G02B 6/3838;
G02B 6/3841; G02B 6/387; G02B
6/4292; H01R 13/025; H01R 13/46
See application file for complete search history.

(56) **References Cited**

U.S. PATENT DOCUMENTS

5,577,145 A * 11/1996 Musk G02B 6/3877
385/78

D388,053 S * 12/1997 Robertson, Jr. D13/133

D400,170 S * 10/1998 Asai D13/133

D413,860 S * 9/1999 Matthews D13/133

D436,935 S * 1/2001 Feucht D13/133

D446,778 S * 8/2001 Feucht D13/133

D480,688 S * 10/2003 Lin D13/147

D508,232 S * 8/2005 Suckle D13/156

D513,735 S * 1/2006 Nishio D13/147

D519,934 S * 5/2006 Wada D13/156

D556,146 S * 11/2007 Victor D13/133

D582,353 S * 12/2008 Victor D13/156

7,484,990 B1 * 2/2009 Lee H01R 13/585
439/369

D598,865 S * 8/2009 Hwang D13/156

D668,225 S * 10/2012 Lyford D13/133

D671,892 S * 12/2012 Keith, Jr. D13/133

D674,345 S * 1/2013 Izen D13/133

D678,198 S * 3/2013 Izen D13/133

D689,437 S * 9/2013 Lyford D13/133

D691,095 S * 10/2013 Izen D13/147

D699,193 S * 2/2014 Zeller D13/155

D714,220 S * 9/2014 Izen D13/133

D718,273 S * 11/2014 Harata D14/205

D731,456 S * 6/2015 Dahlberg D14/205

D737,217 S * 8/2015 Leidolt D13/153

9,146,364 B2 * 9/2015 Chen G02B 6/387

D754,067 S * 4/2016 Kovacs D13/133

D772,231 S * 11/2016 Lee D13/133

D777,105 S * 1/2017 Romandy D13/133

(Continued)

Primary Examiner — Selina Sikder
(74) *Attorney, Agent, or Firm* — Banner & Witcoff, Ltd.

(57) **CLAIM**

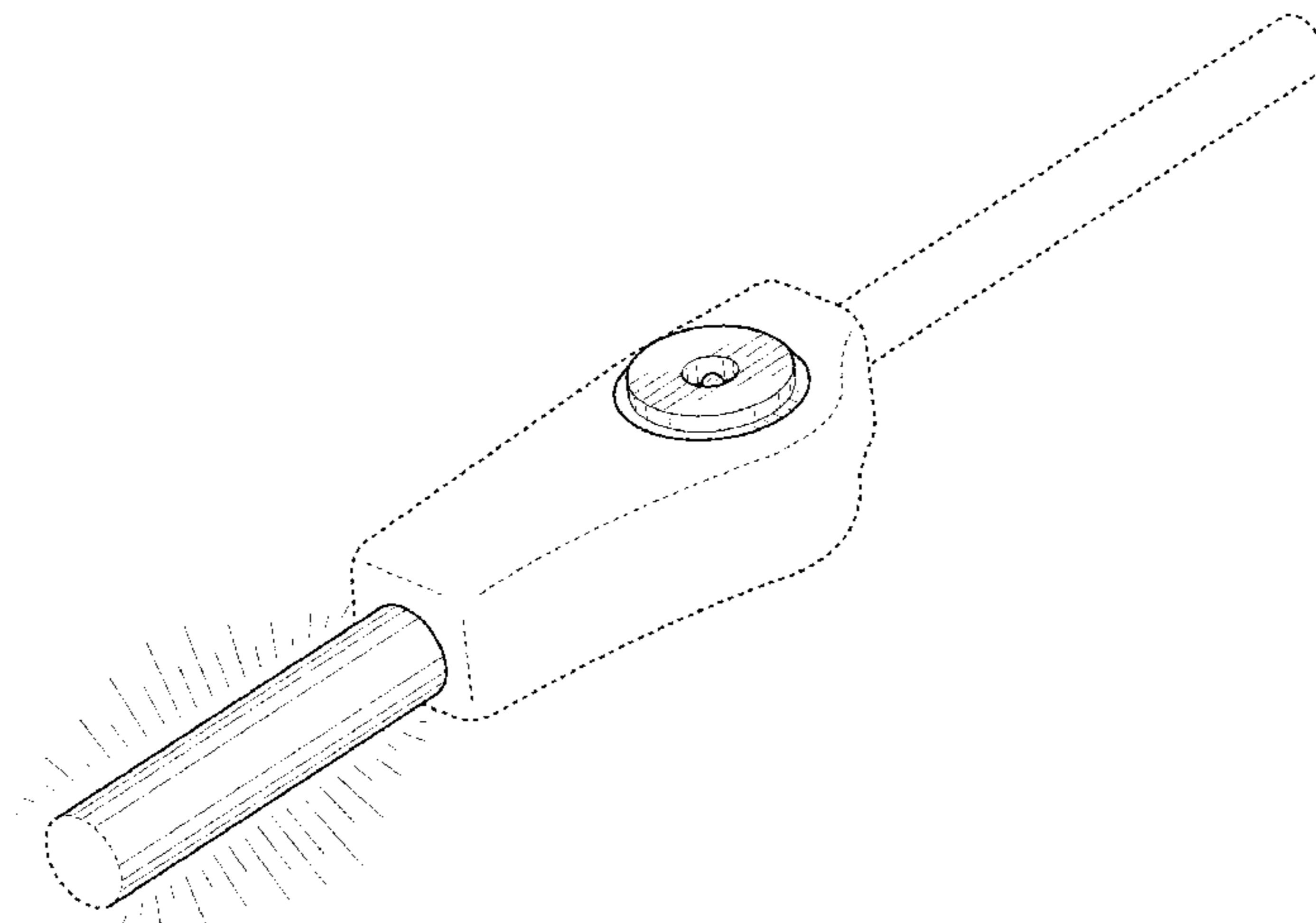
The ornamental design for an illuminated fiber and housing assembly, as shown and described.

DESCRIPTION

FIG. 1 is a top perspective view of an illuminated fiber and housing assembly showing our new design;
FIG. 2 is a top view thereof;
FIG. 3 is a bottom view thereof;
FIG. 4 is a right side view thereof;
FIG. 5 is a left side view thereof;
FIG. 6 is a front view thereof; and,
FIG. 7 is a rear view thereof.

The radiating lines extending from the cylindrical shaped fiber element represent illumination of the fiber element. The broken lines in the drawings depict portions of the illuminated fiber housing assembly that form no part of the claimed design.

1 Claim, 7 Drawing Sheets



(56)

References Cited

U.S. PATENT DOCUMENTS

D782,998 S * 4/2017 Shin D14/205
2014/0169742 A1* 6/2014 Bhagavatula G02B 6/3821
385/52

* cited by examiner

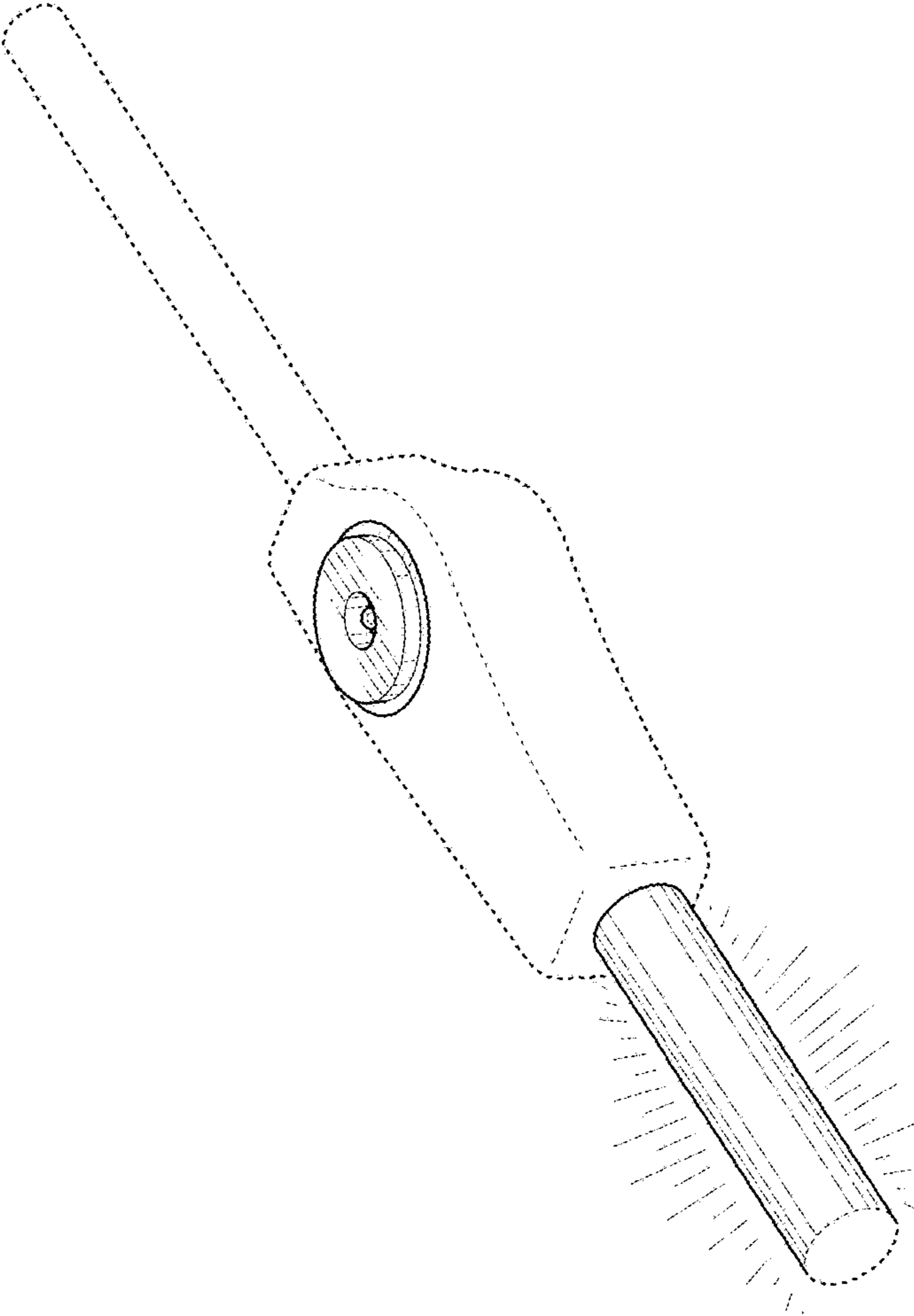


FIG. 1

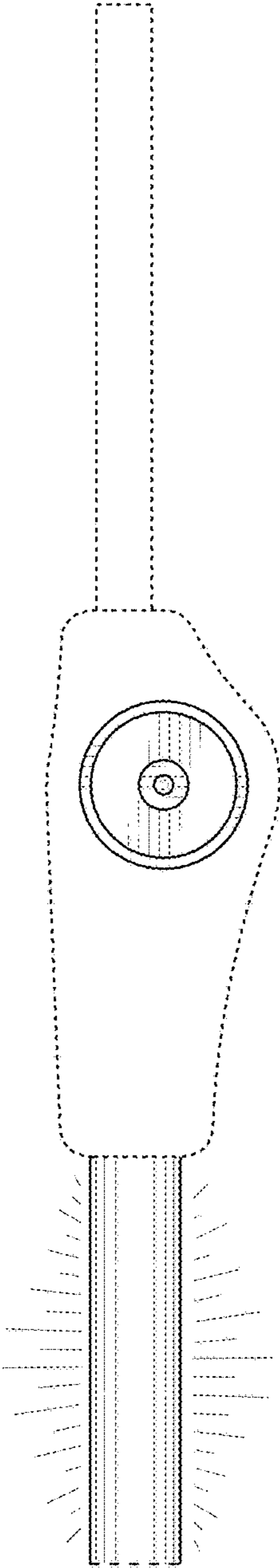


FIG. 2

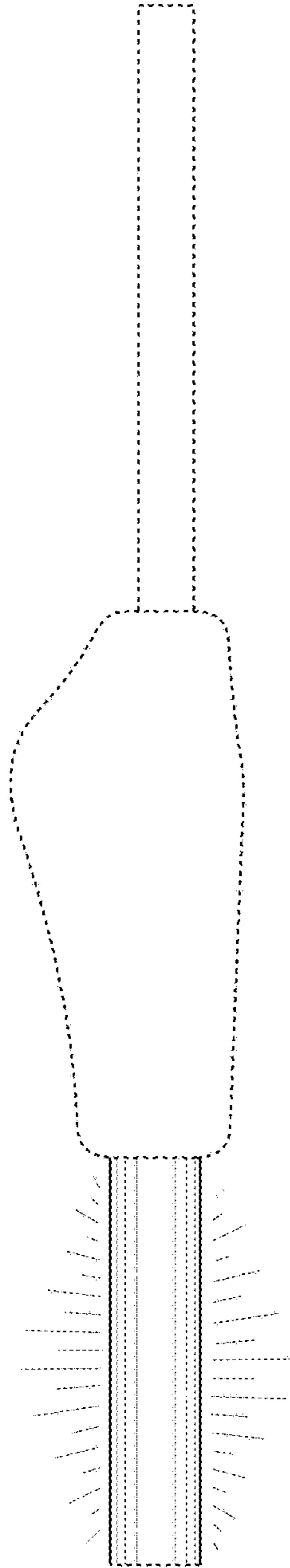


FIG. 3

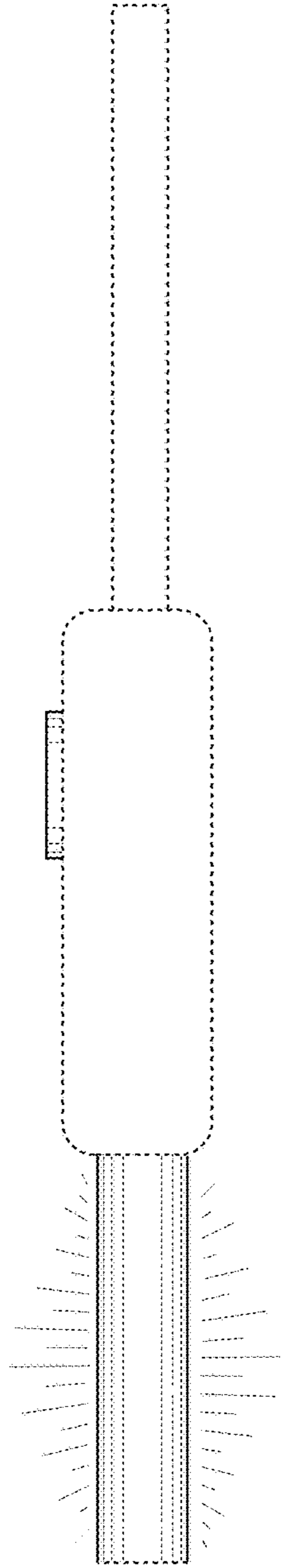


FIG. 4

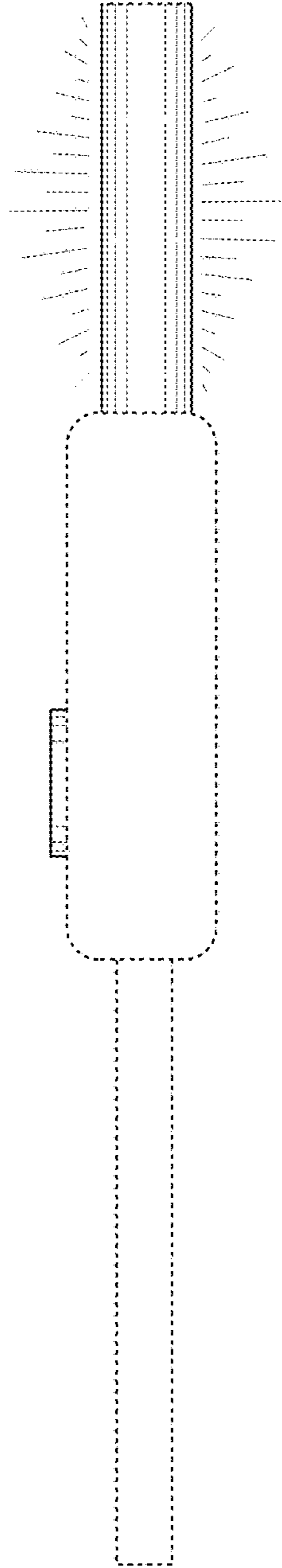


FIG. 5

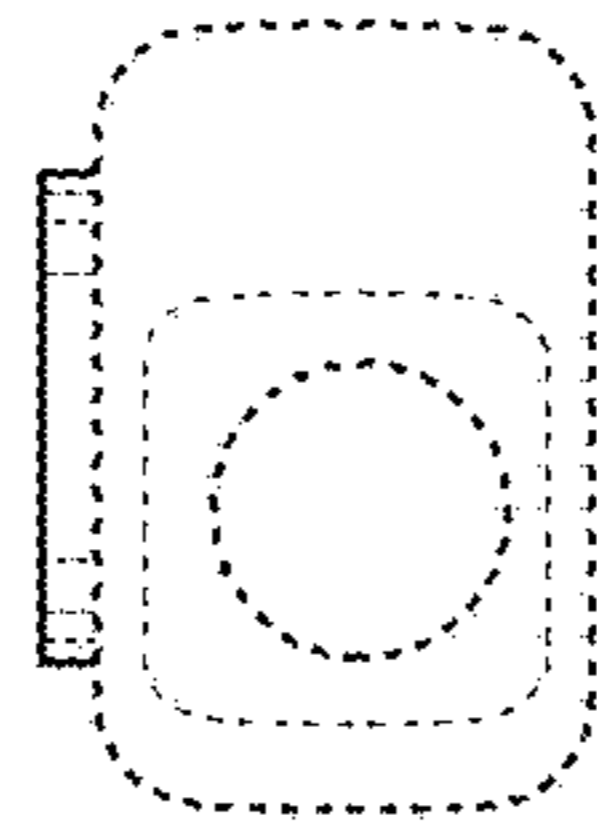


FIG. 6

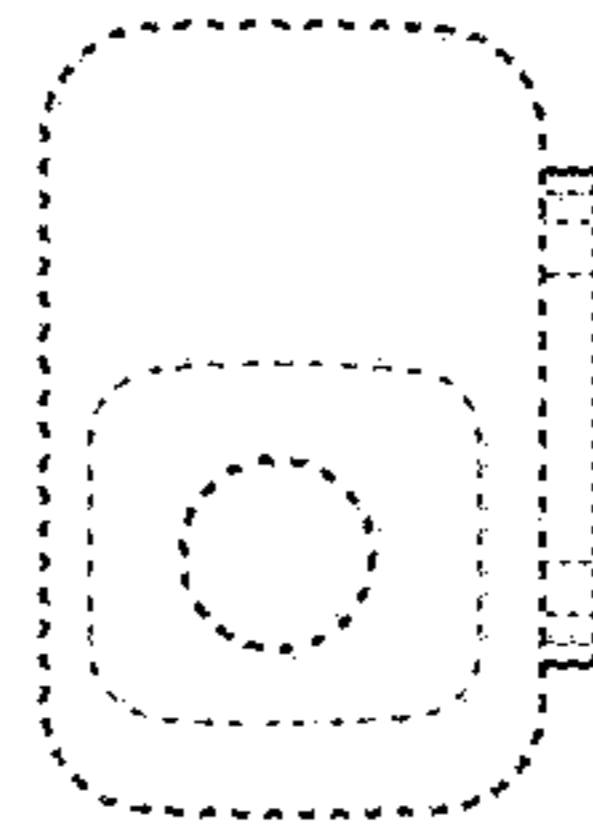


FIG. 7