



US00D847756S

(12) **United States Design Patent**
Endo et al.

(10) **Patent No.:** **US D847,756 S**

(45) **Date of Patent:** **** May 7, 2019**

(54) **ELECTRICAL CONNECTOR HOUSING**

(71) Applicant: **Dai-ichi Seiko Co., Ltd.**, Kyoto-shi,
Kyoto (JP)

(72) Inventors: **Takayoshi Endo**, Shizuoka (JP); **Sakai Yagi**, Shizuoka (JP); **Hisashi Hamachi**, Shizuoka (JP)

(73) Assignee: **Dai-ichi Seiko Co., Ltd.**, Kyoto (JP)

(**) Term: **15 Years**

(21) Appl. No.: **29/627,569**

(22) Filed: **Nov. 28, 2017**

(30) **Foreign Application Priority Data**

Jul. 20, 2017 (JP) 2017-015583

(51) **LOC (11) Cl.** **13-03**

(52) **U.S. Cl.**
USPC **D13/147**

(58) **Field of Classification Search**
USPC D13/107, 110, 118, 123, 133, 134, 146,
D13/147, 149, 151, 153, 154, 161, 173,
D13/177, 184, 199
CPC ... G02B 6/00; G02B 6/36; G02B 6/38; H01R
12/00; H01R 13/42; H01R 13/422; H01R
13/424; H01R 13/436; H01R 13/502;
H01R 13/516; H01R 13/627; H01R
13/629; H01R 13/64; H01R 24/00
See application file for complete search history.

(56) **References Cited**

U.S. PATENT DOCUMENTS

D308,513 S * 6/1990 Endo D13/147
D318,261 S * 7/1991 Saito D13/147
5,743,761 A * 4/1998 Kawase B29C 45/006
439/595

D672,314 S * 12/2012 Miyoshi D13/147
D747,689 S * 1/2016 Endo D13/147
D748,580 S * 2/2016 Endo D13/146

(Continued)

FOREIGN PATENT DOCUMENTS

JP 1498303 S 5/2014
JP 2017152273 A * 8/2017 H01R 13/6271

Primary Examiner — Angela J Lee
Assistant Examiner — Shawn T Gingrich

(74) *Attorney, Agent, or Firm* — K&L Gates LLP; Louis C. Cullman; Georgia N. Kefallinos

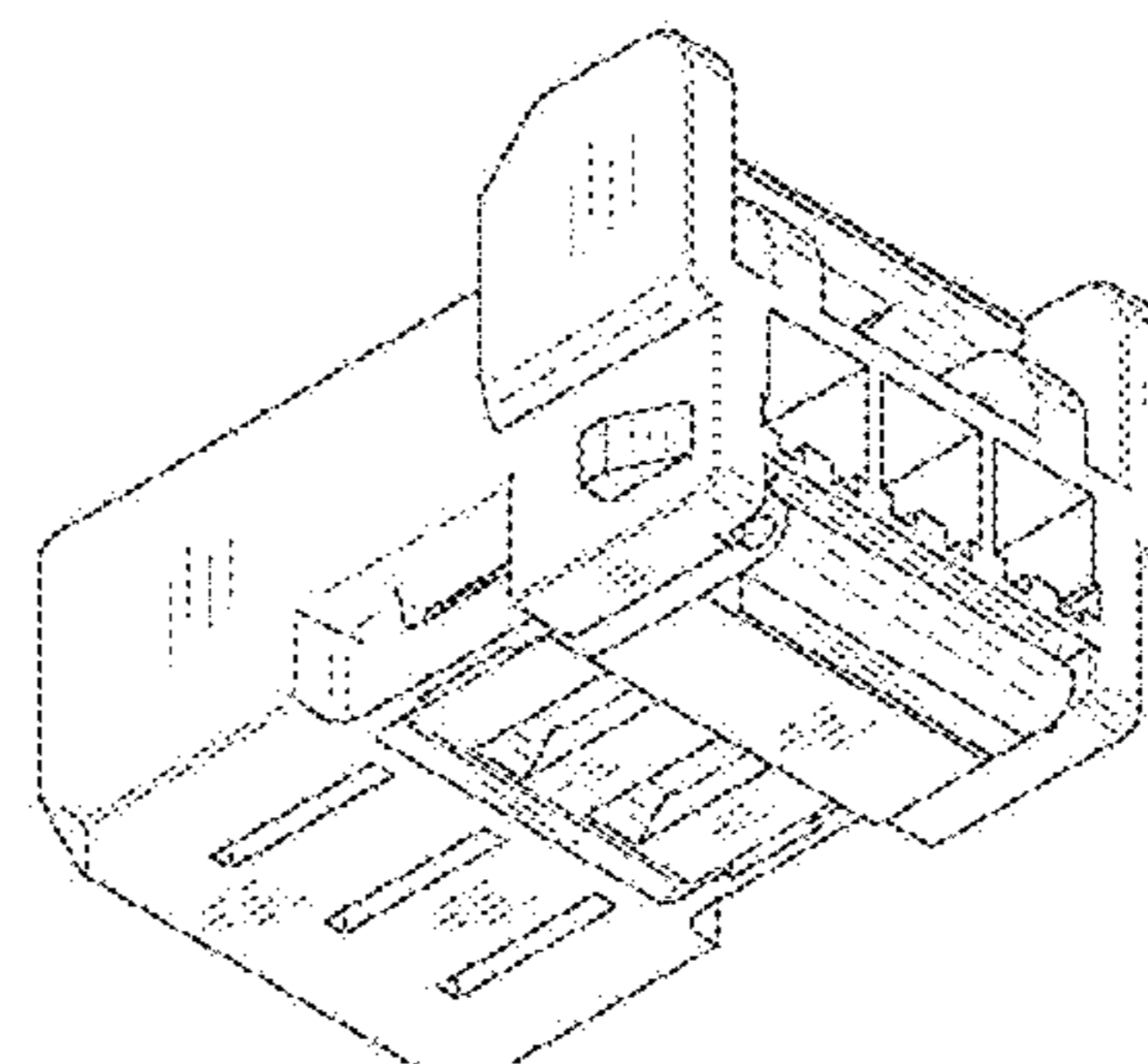
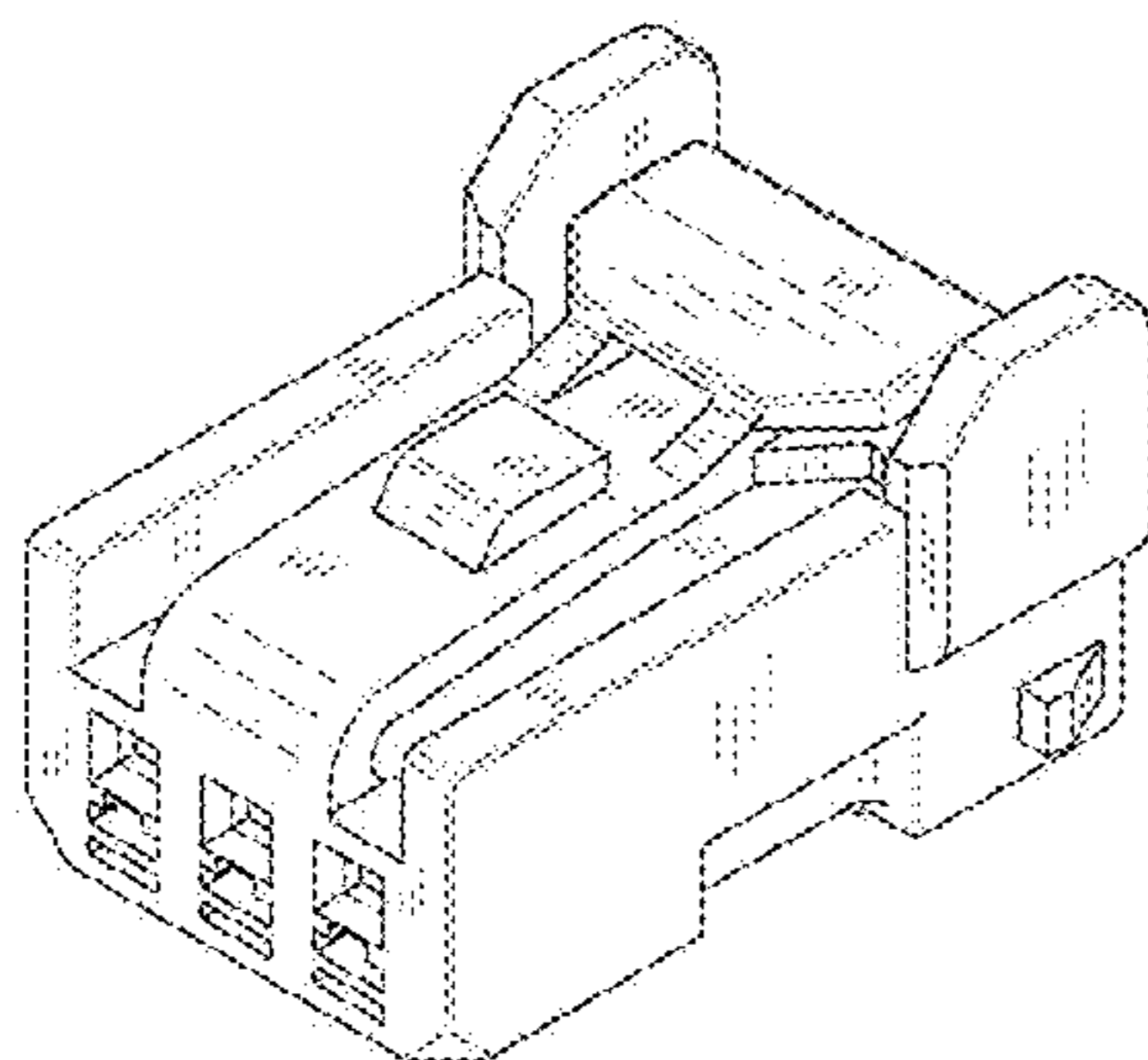
(57) **CLAIM**

The ornamental design for an electrical connector housing, as shown and described.

DESCRIPTION

FIG. 1 is a front view of an electrical connector housing of our design.
FIG. 2 is a back view of the electrical connector housing of FIG. 1.
FIG. 3 is a first side view of the electrical connector housing of FIG. 1.
FIG. 4 is a second side view of the electrical connector housing of FIG. 1.
FIG. 5 is a top view of the electrical connector housing of FIG. 1.
FIG. 6 is a bottom view of the electrical connector housing of FIG. 1.
FIG. 7 is a top perspective view of the electrical connector housing of FIG. 1.
FIG. 8 is a perspective view of the electrical connector housing of FIG. 1; and,
FIG. 9 is a bottom perspective view of the electrical connector housing of FIG. 1.
The broken lines in the drawings are included for the purpose of illustrating environmental structure and form no part of the claimed design. The unshaded surfaces form no part of the claimed design.

1 Claim, 9 Drawing Sheets



(56)

References Cited

U.S. PATENT DOCUMENTS

2001/0021603 A1* 9/2001 Chen H01R 13/6271
439/358
2015/0222040 A1* 8/2015 Endo H01R 13/424
439/595
2015/0333433 A1* 11/2015 Yagi H01R 13/4361
439/701
2017/0250501 A1* 8/2017 Endo H01R 13/6271
2018/0034185 A1* 2/2018 Nagasaka H01R 13/428

* cited by examiner

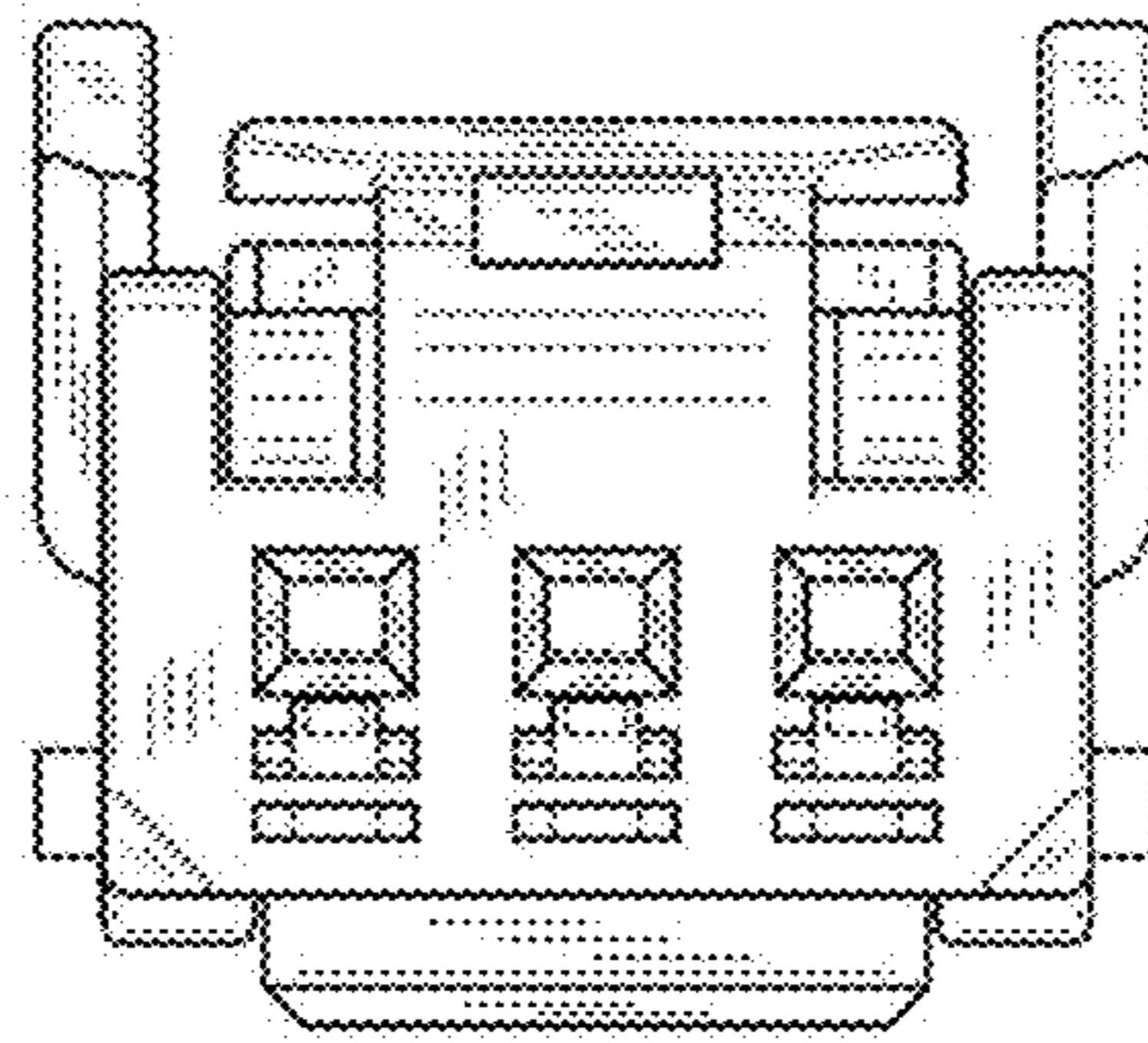


FIG. 1

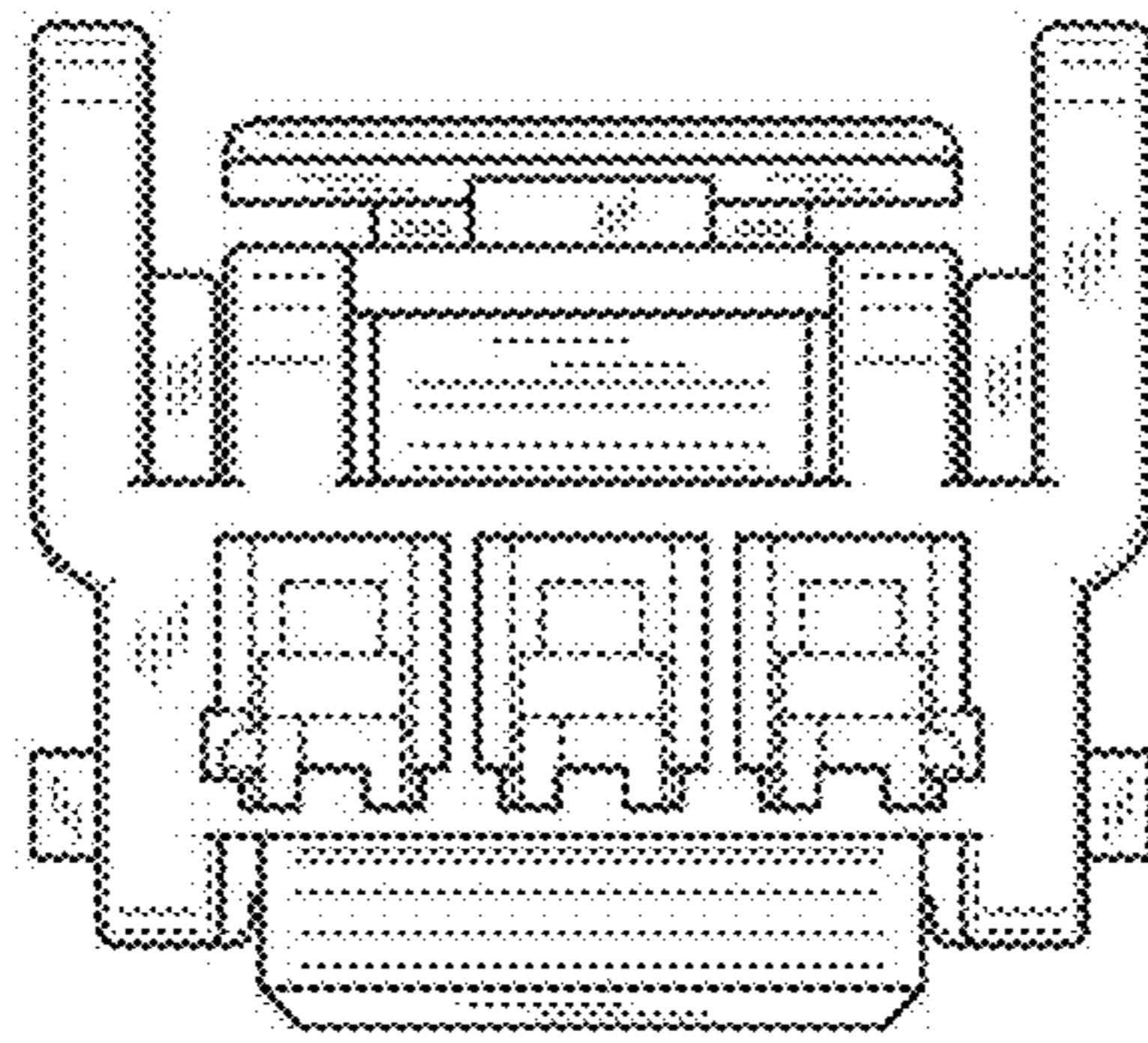


FIG. 2

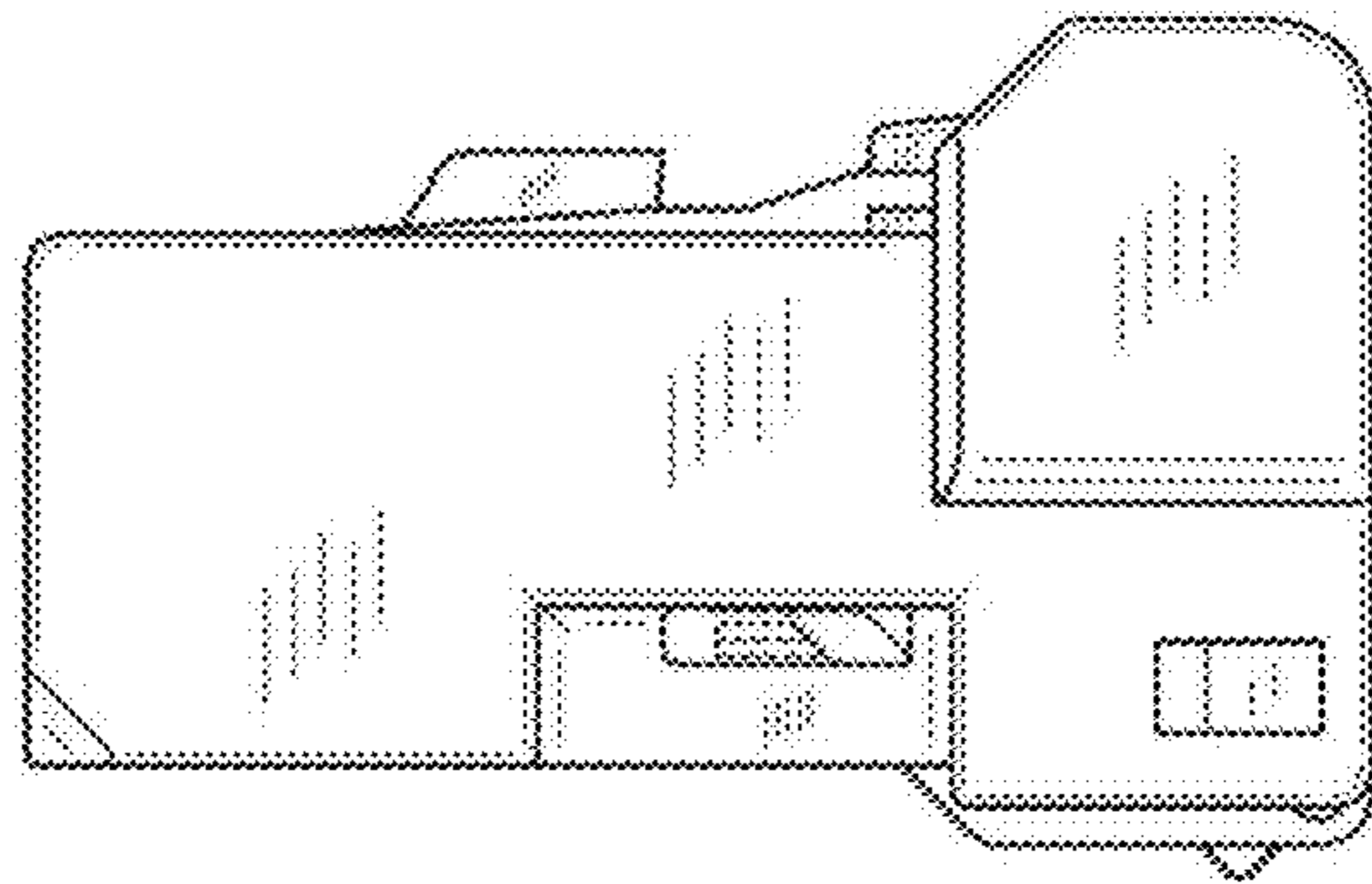


FIG. 3

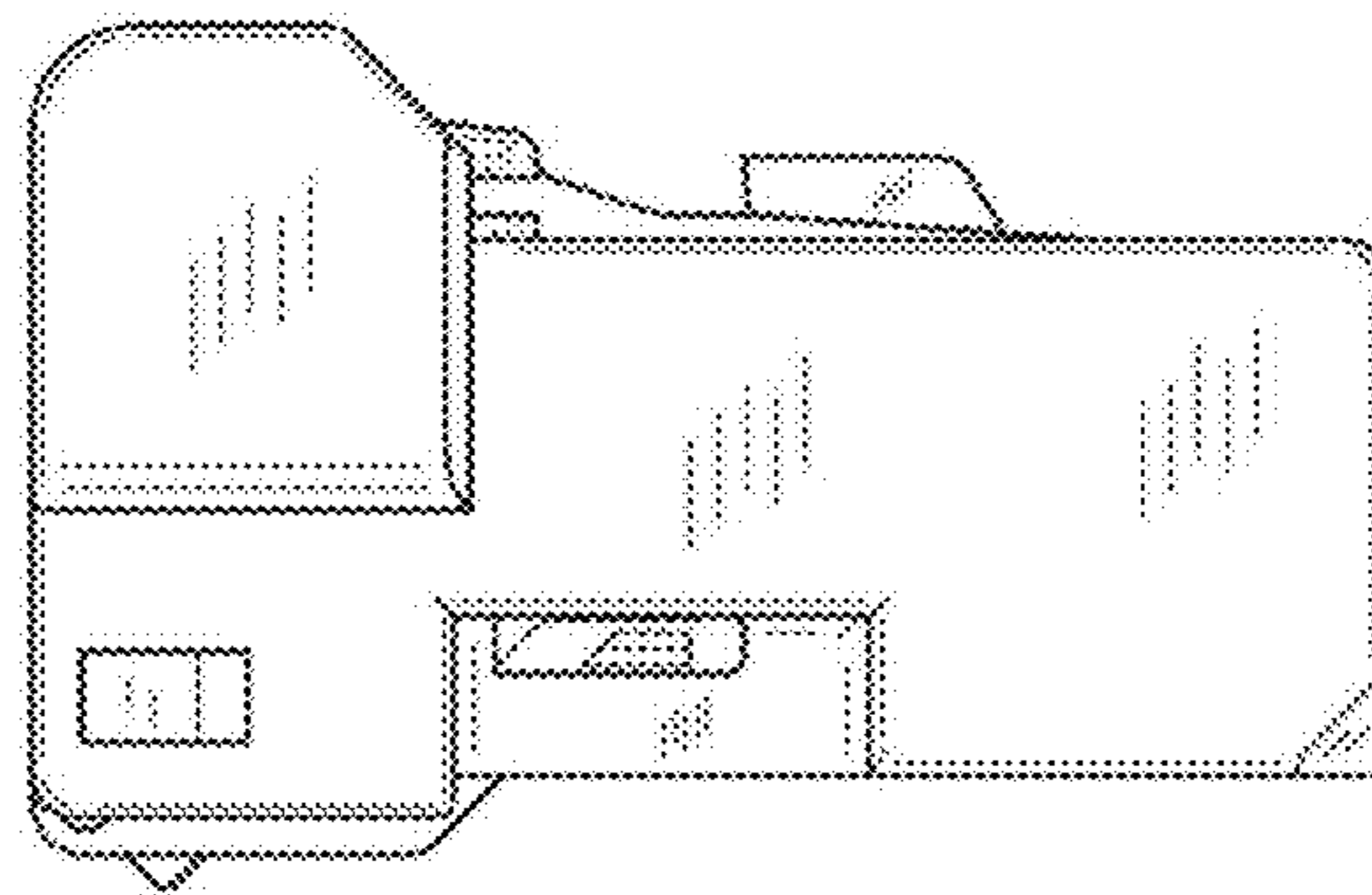


FIG. 4

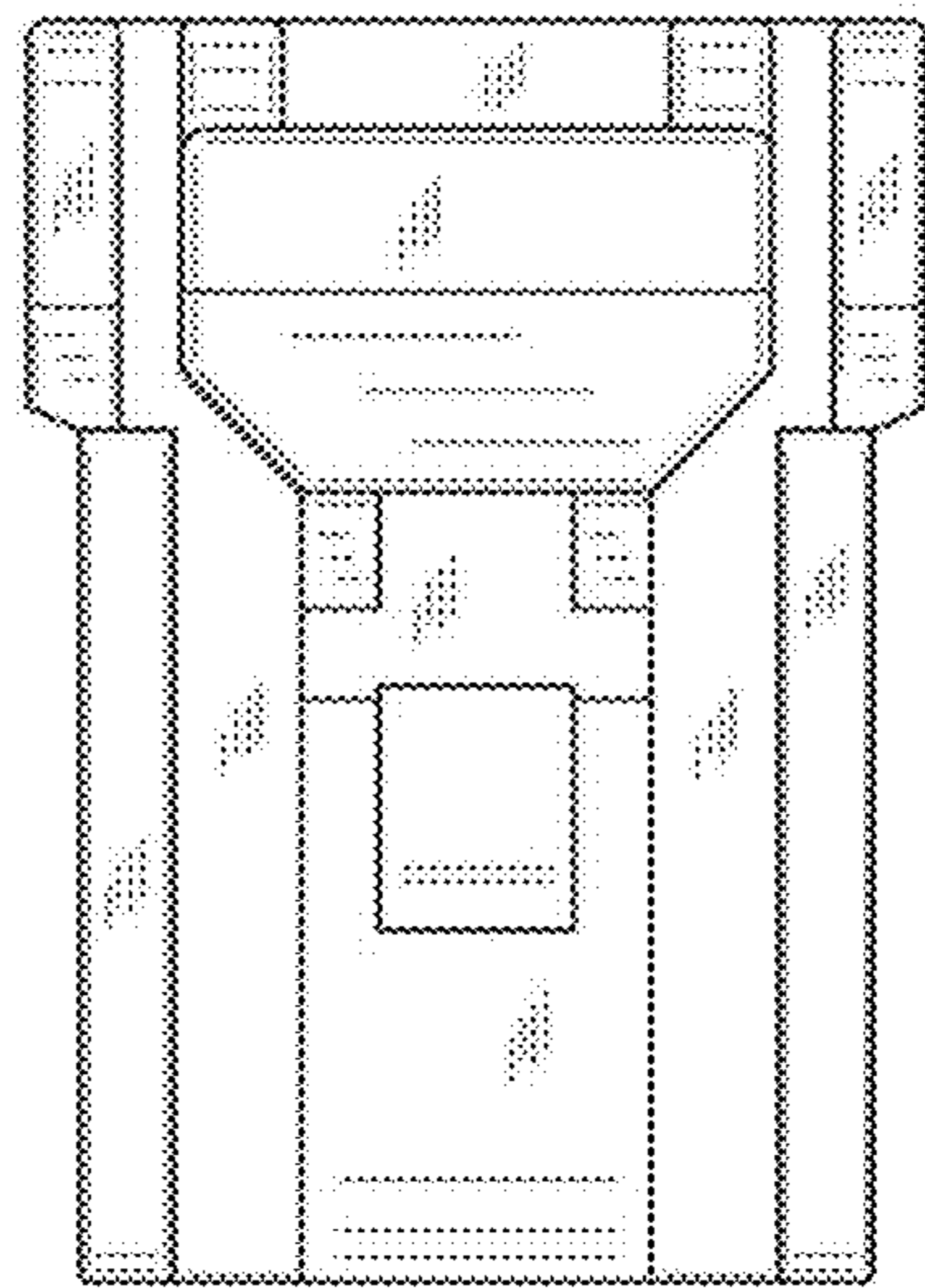


FIG. 5

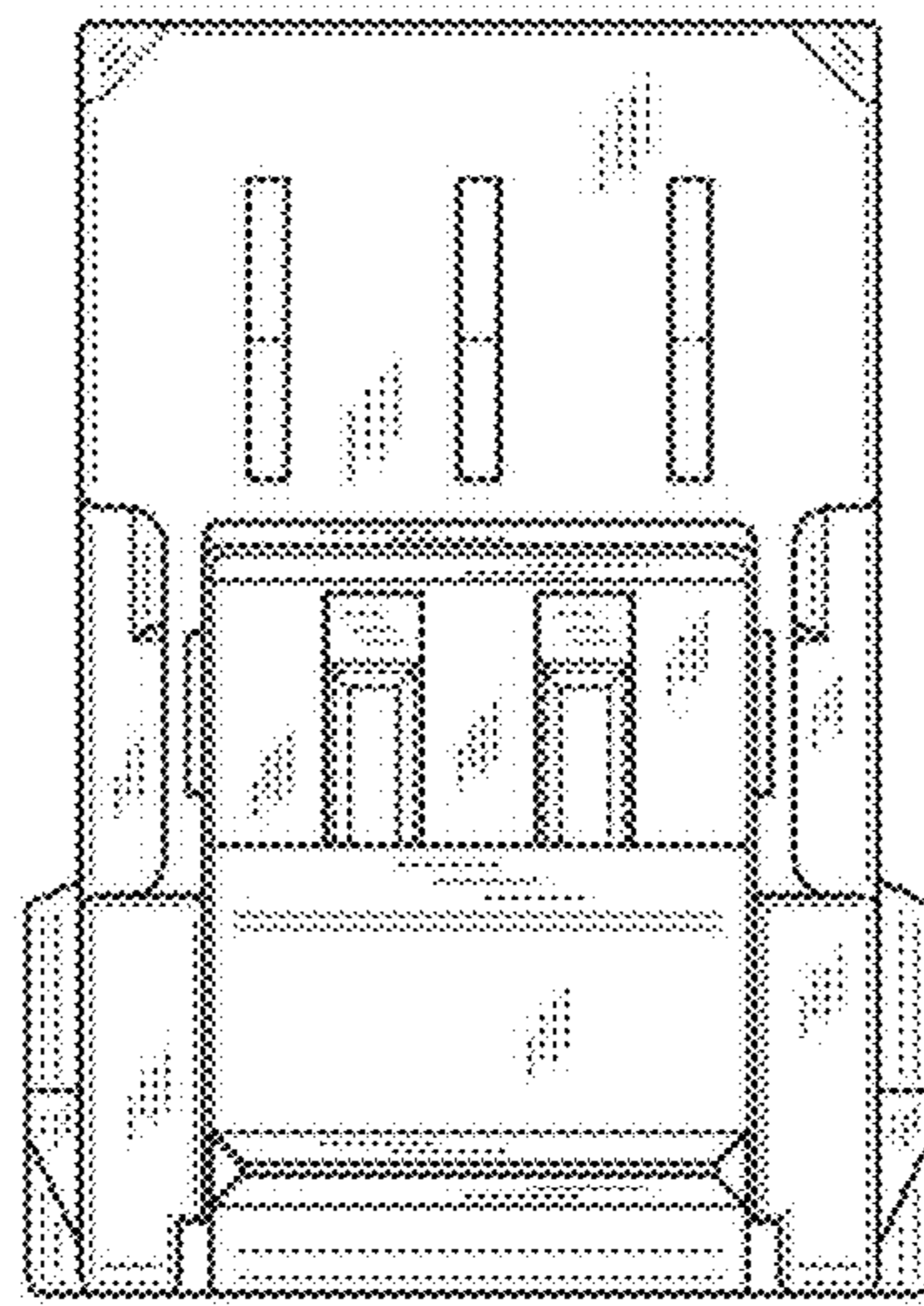


FIG. 6

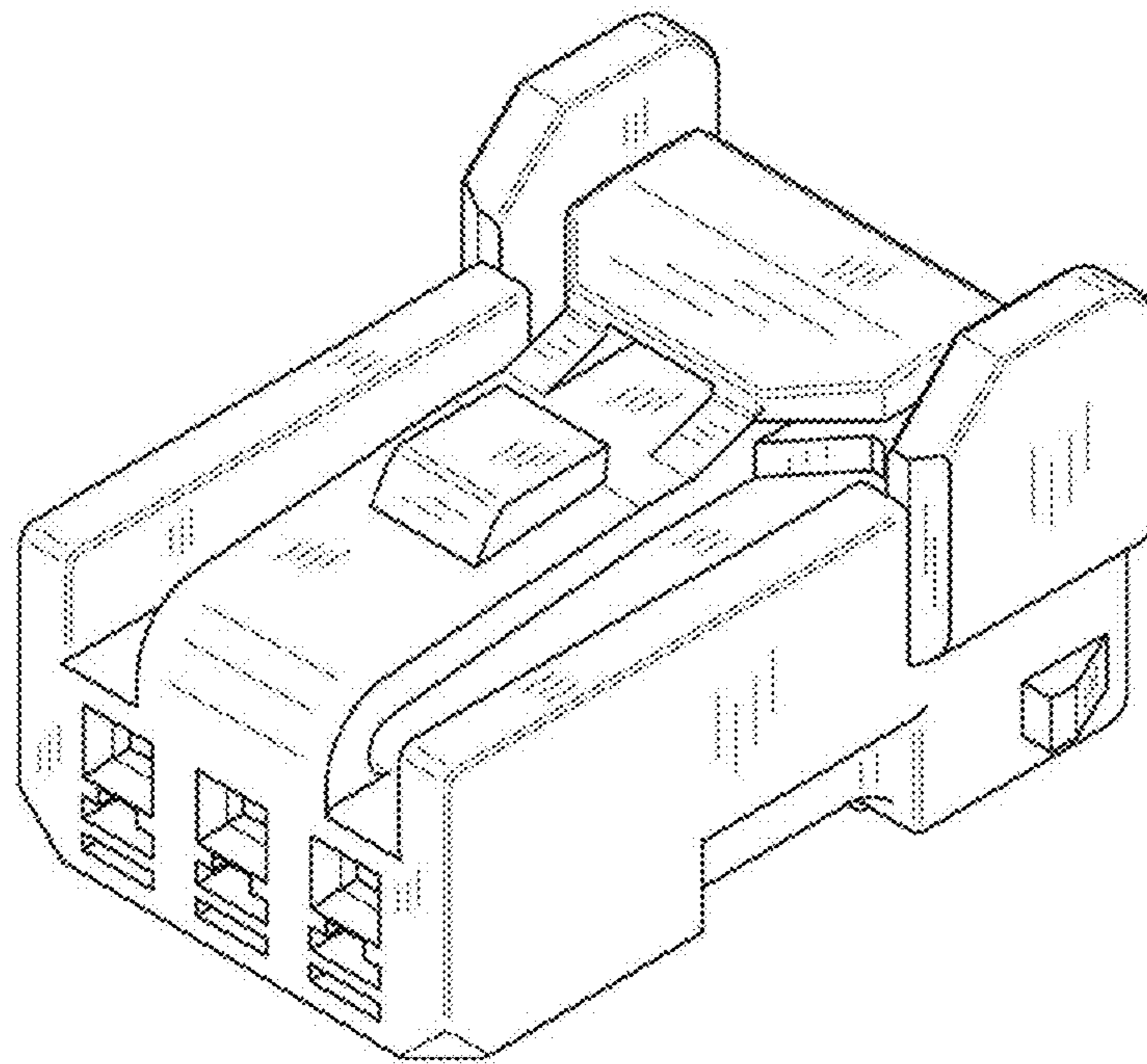


FIG. 7

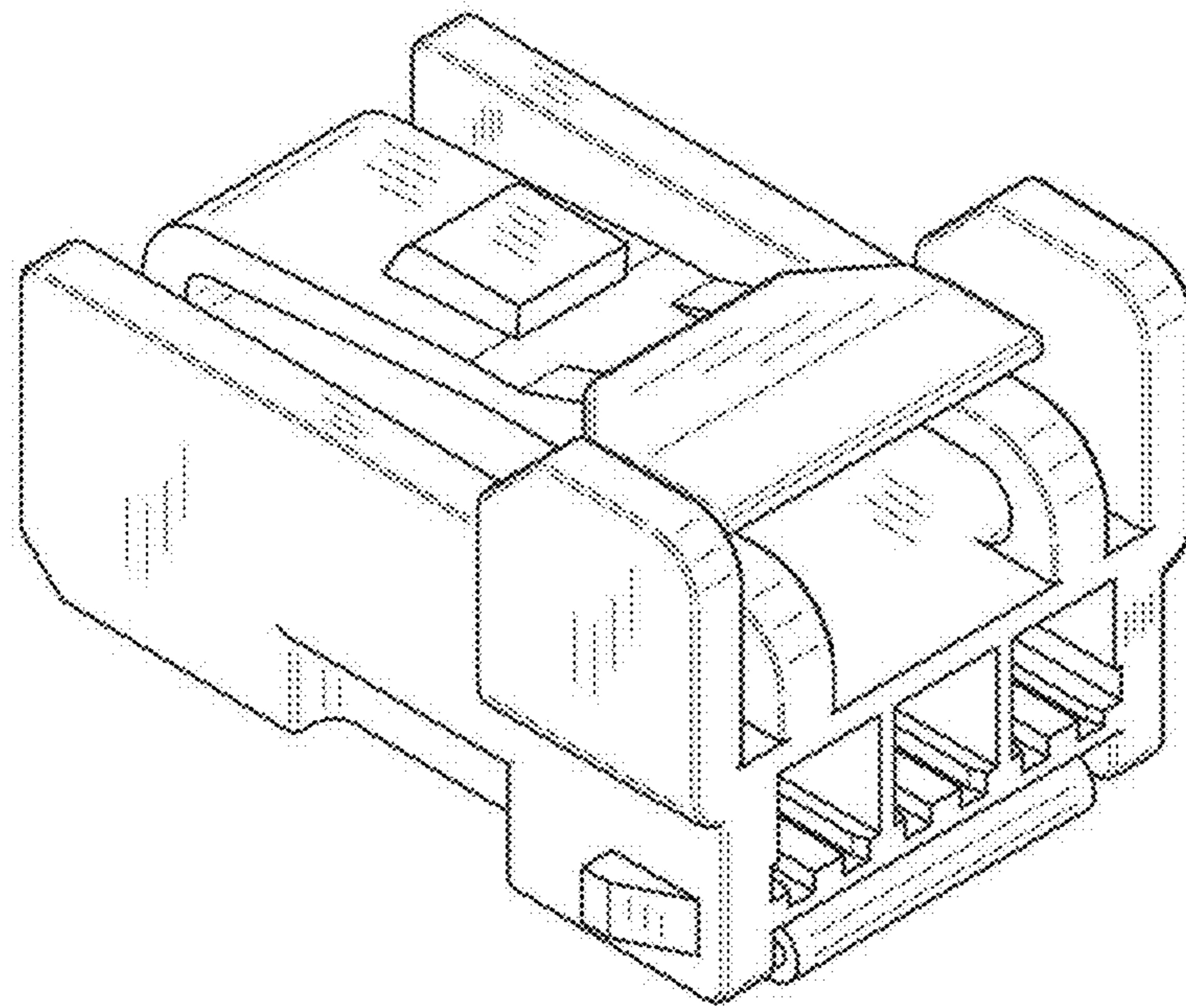


FIG. 8

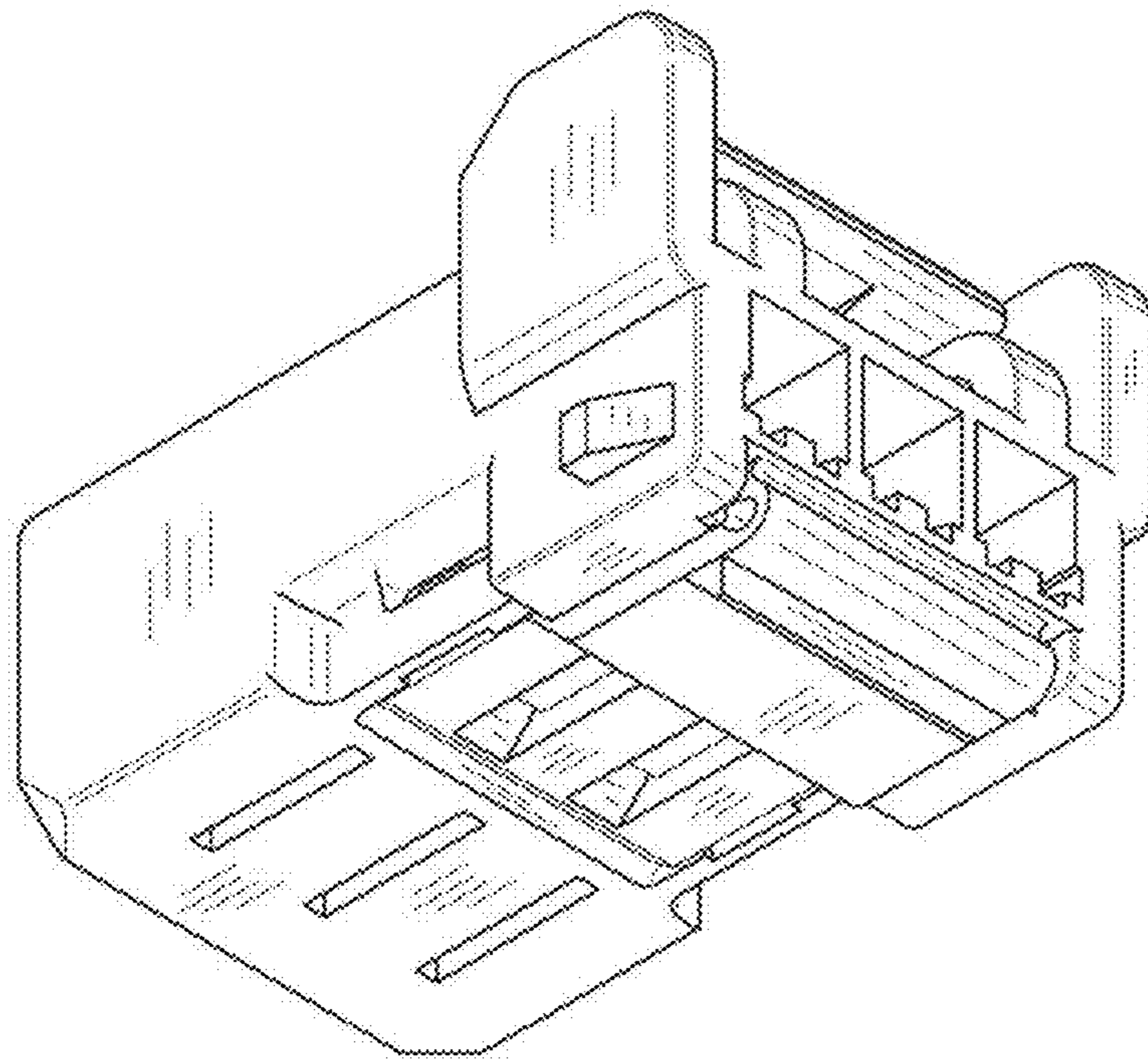


FIG. 9