



US00D847755S

(12) **United States Design Patent**
Hamachi

(10) **Patent No.:** **US D847,755 S**

(45) **Date of Patent:** **** May 7, 2019**

(54) **ELECTRICAL CONNECTOR**

(71) Applicant: **Dai-ichi Seiko Co., Ltd.**, Kyoto-shi,
Kyoto (JP)

(72) Inventor: **Hisashi Hamachi**, Shizuoka (JP)

(73) Assignee: **Dai-ichi Seiko Co., Ltd.**, Kyoto (JP)

(**) Term: **15 Years**

(21) Appl. No.: **29/627,565**

(22) Filed: **Nov. 28, 2017**

(30) **Foreign Application Priority Data**

Jul. 20, 2017 (JP) 2017-015582

(51) **LOC (11) Cl.** **13-03**

(52) **U.S. Cl.**
USPC **D13/147**

(58) **Field of Classification Search**

USPC D13/107, 110, 118, 123, 133, 134, 146,
D13/147, 149, 151, 153, 154, 161, 173,
D13/177, 184, 199

CPC ... G02B 6/00; G02B 6/36; G02B 6/38; H01R
12/00; H01R 13/42; H01R 13/422; H01R
13/424; H01R 13/436; H01R 13/502;
H01R 13/516; H01R 13/627; H01R
13/629; H01R 13/64; H01R 24/00

See application file for complete search history.

(56) **References Cited**

U.S. PATENT DOCUMENTS

D439,885 S *	4/2001	Ushio	D13/147
D471,868 S *	3/2003	Lee	D13/147
D474,153 S *	5/2003	Smalley, Jr.	D13/147
D631,015 S *	1/2011	Iijima	D13/147
D647,855 S *	11/2011	Chiang	D13/146
D650,758 S *	12/2011	Sasada	D13/147
D744,426 S *	12/2015	Yamashita	D13/146
D759,594 S *	6/2016	Kato	D13/133

D791,706 S *	7/2017	Li	D13/147
D810,023 S *	2/2018	Asano	D13/133
2017/0170594 A1*	6/2017	Copper	H01R 13/04
2018/0040977 A1*	2/2018	Zhao	H01R 13/6273

FOREIGN PATENT DOCUMENTS

JP	1043101	7/1999
JP	1076106 S	6/2000
JP	1519887 S	3/2015

* cited by examiner

Primary Examiner — Angela J Lee

Assistant Examiner — Shawn T Gingrich

(74) *Attorney, Agent, or Firm* — K&L Gates LLP; Louis
C. Cullman; Georgia N. Kefallinos

(57) **CLAIM**

The ornamental design for an electrical connector, as shown
and described.

DESCRIPTION

FIG. 1 is a front view of an electrical connector of my
design.

FIG. 2 is a back view of the electrical connector of FIG. 1.
FIG. 3 is a first side view of the electrical connector of FIG.
1.

FIG. 4 is a second side view of the electrical connector of
FIG. 1.

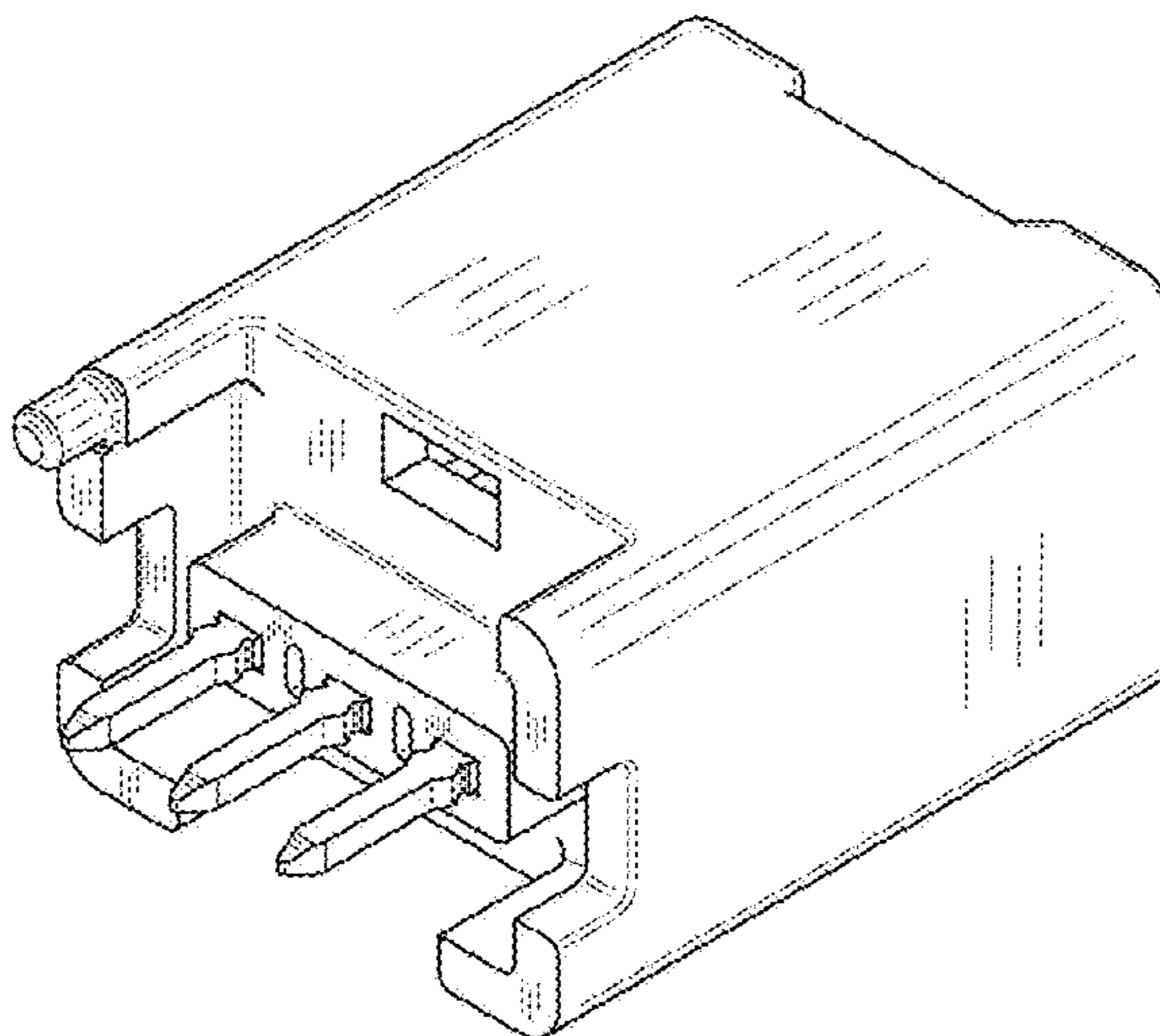
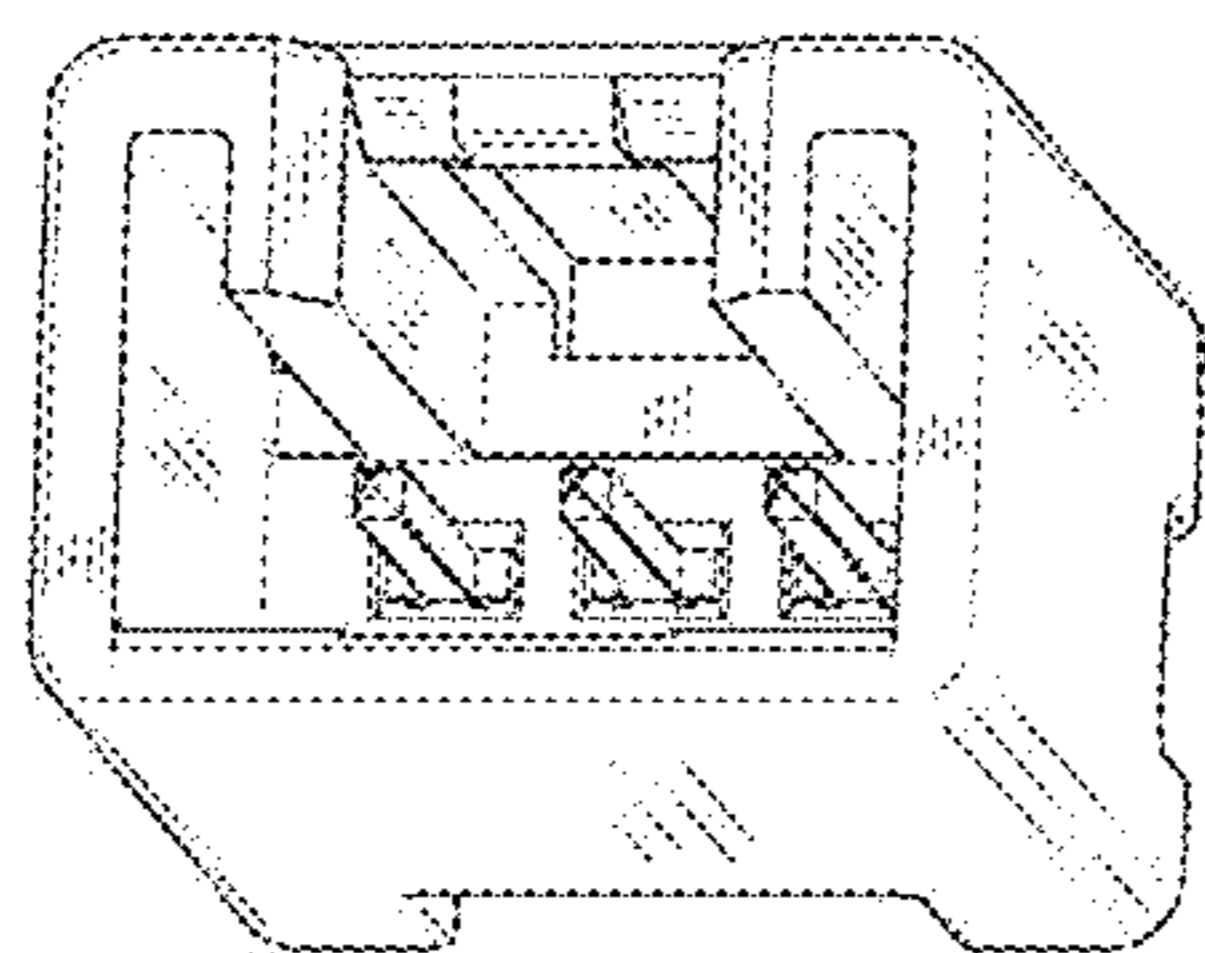
FIG. 5 is a top view of the electrical connector of FIG. 1.
FIG. 6 is a bottom view of the electrical connector of FIG.
1.

FIG. 7 is a front perspective view of the electrical connector
of FIG. 1; and,

FIG. 8 is a back perspective view of the electrical connector
of FIG. 1.

The broken lines in the drawings are included for the
purpose of illustrating environmental structure and form no
part of the claimed design. The unshaded surfaces form no
part of the claimed design.

1 Claim, 8 Drawing Sheets



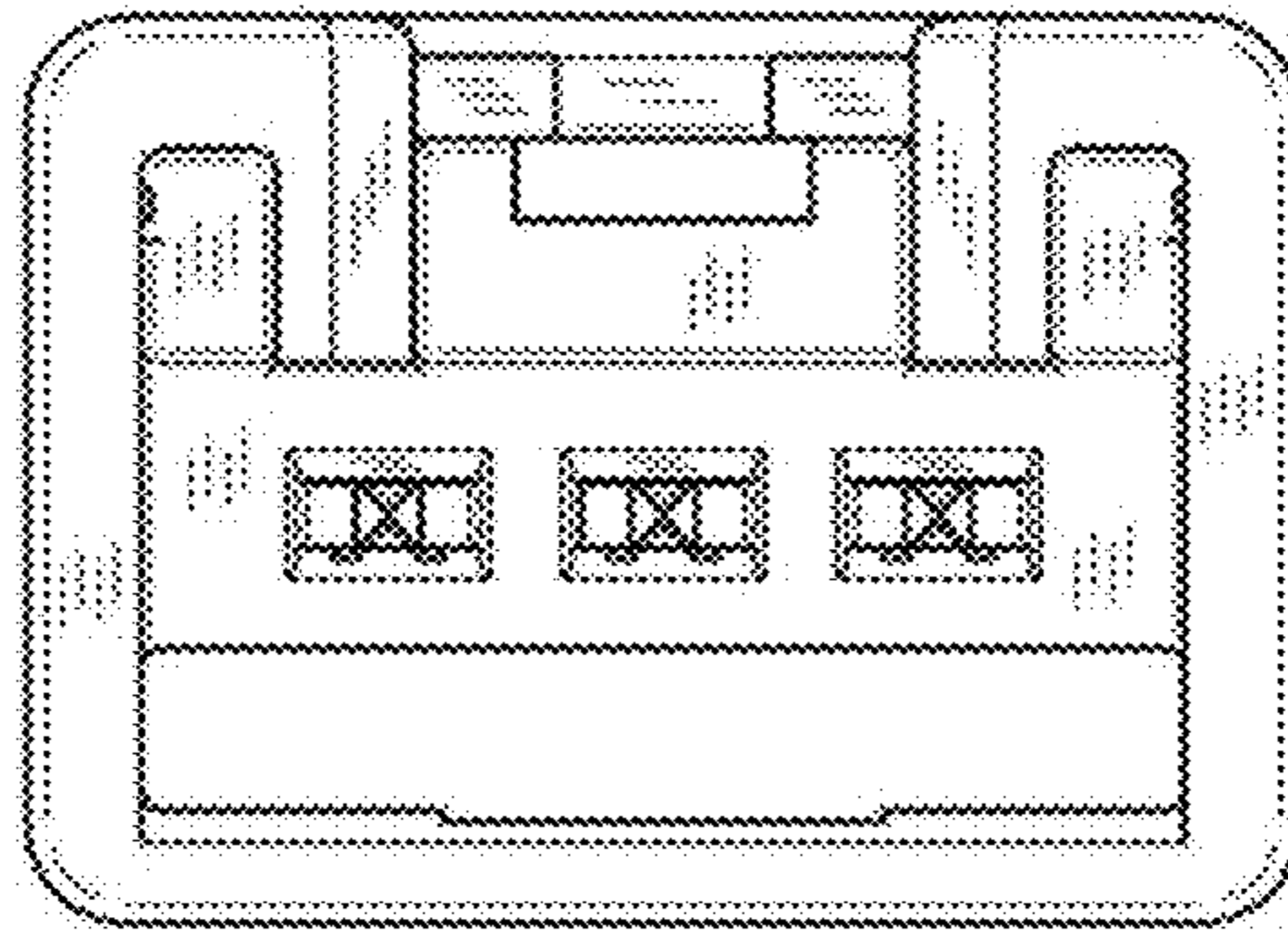


FIG. 1

FIG. 2

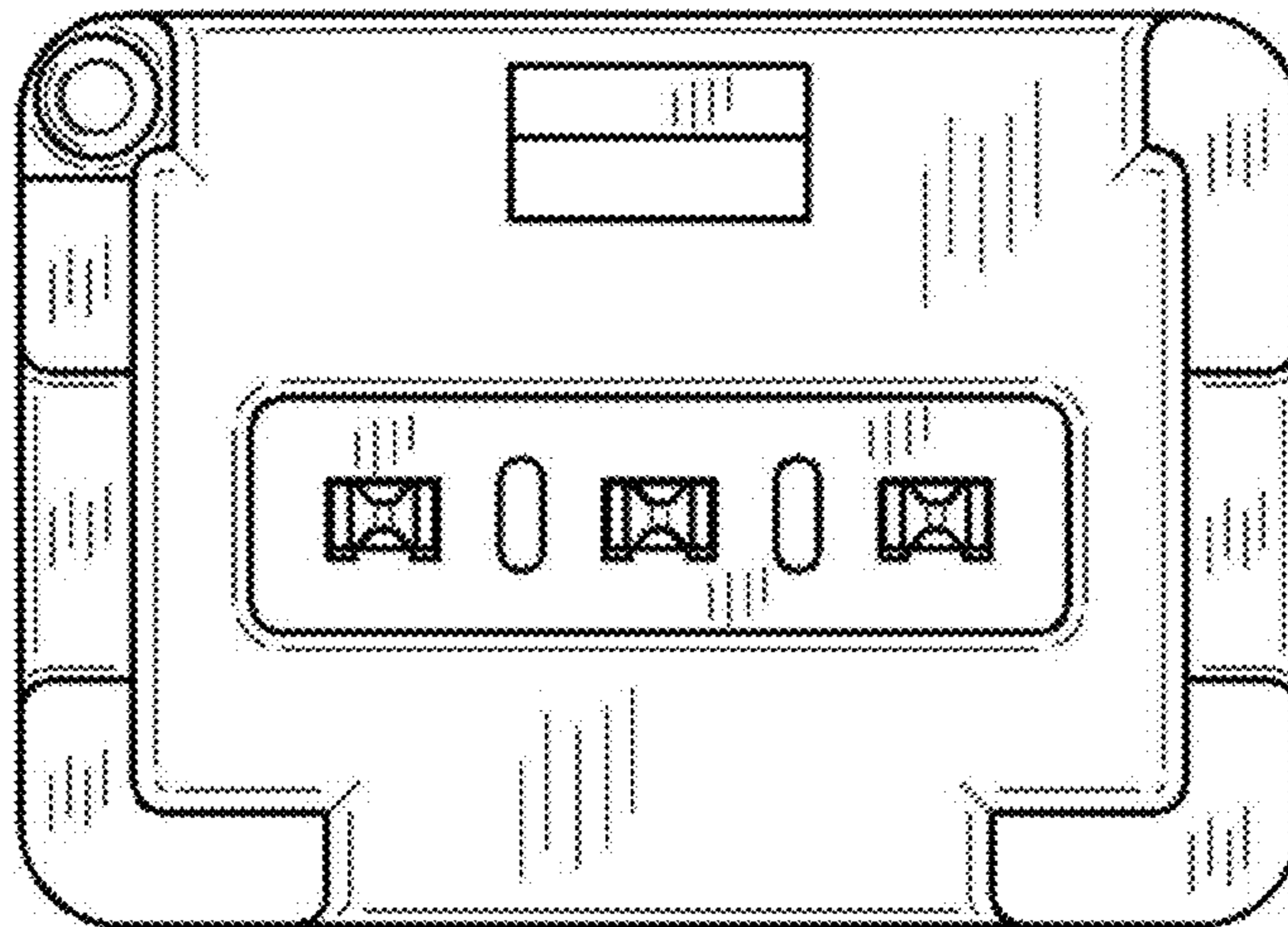


FIG. 3

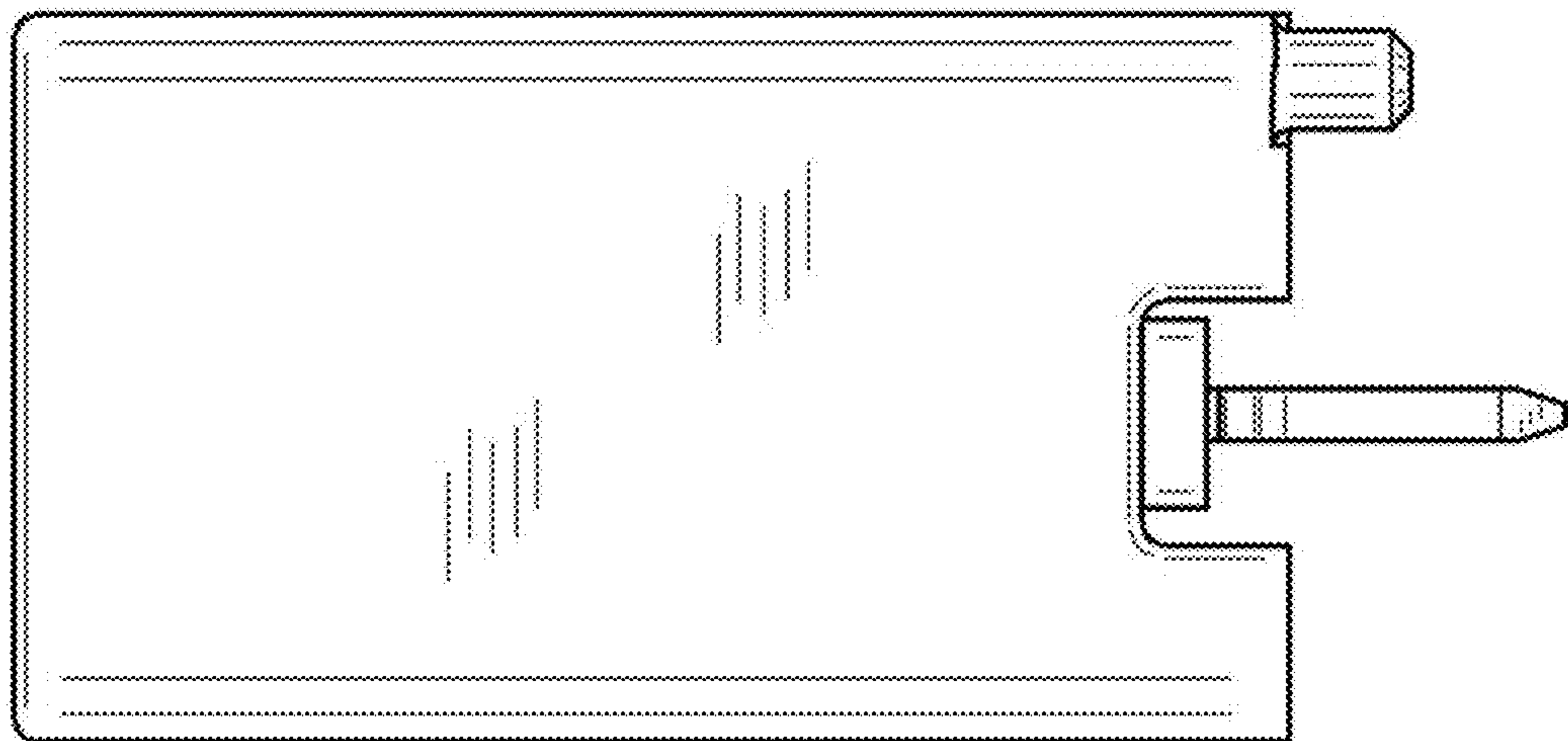


FIG. 4

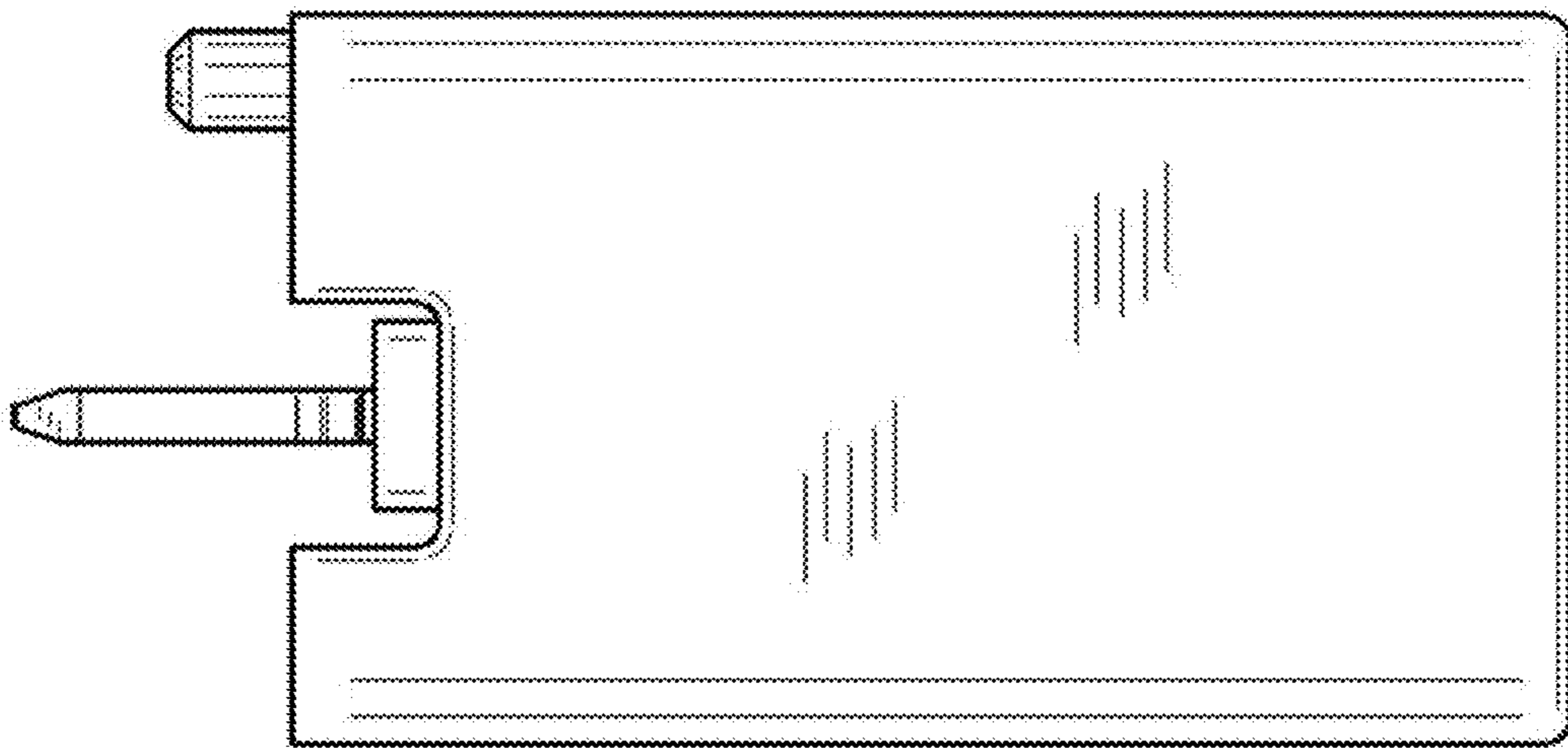
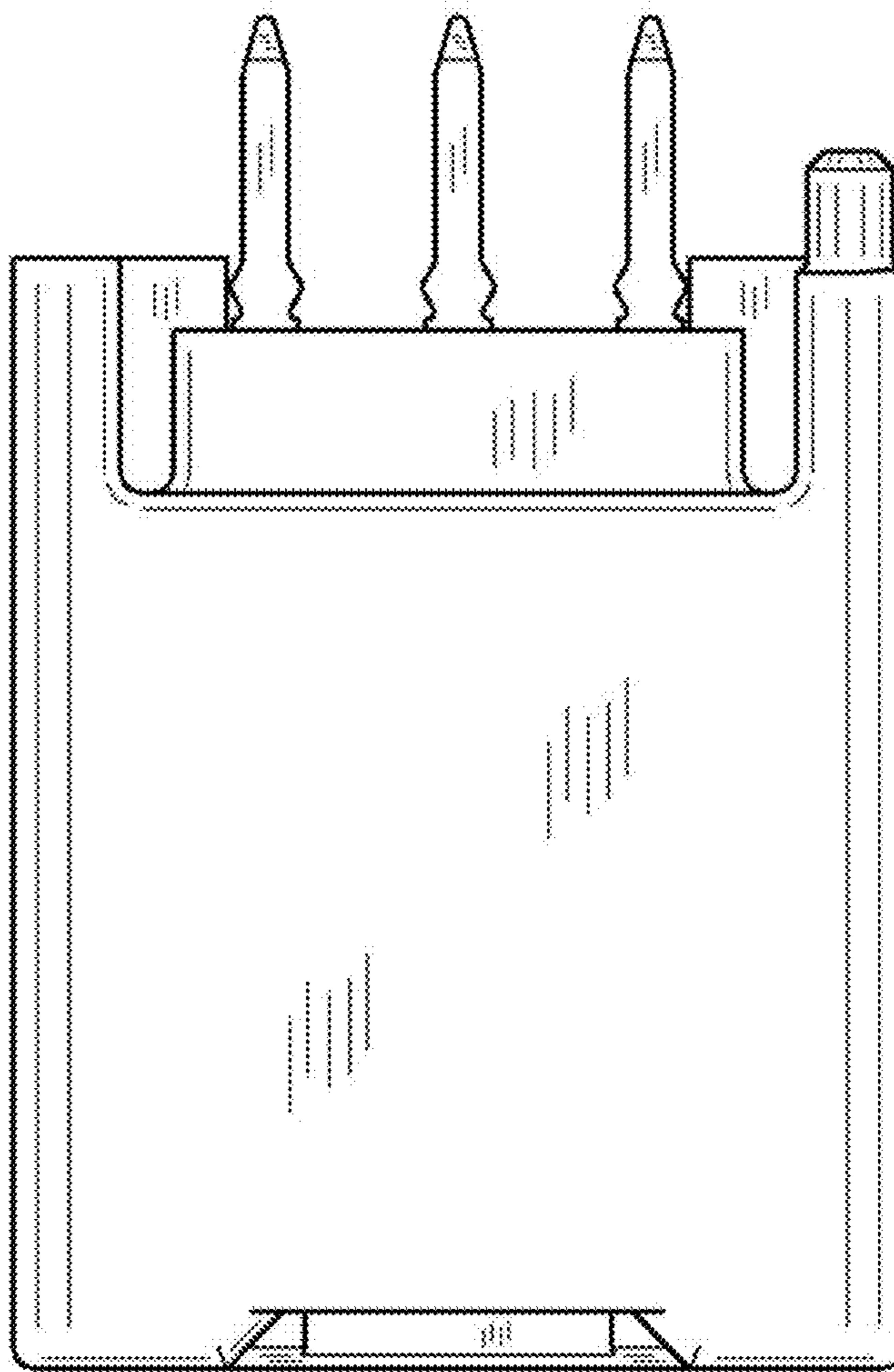


FIG. 5



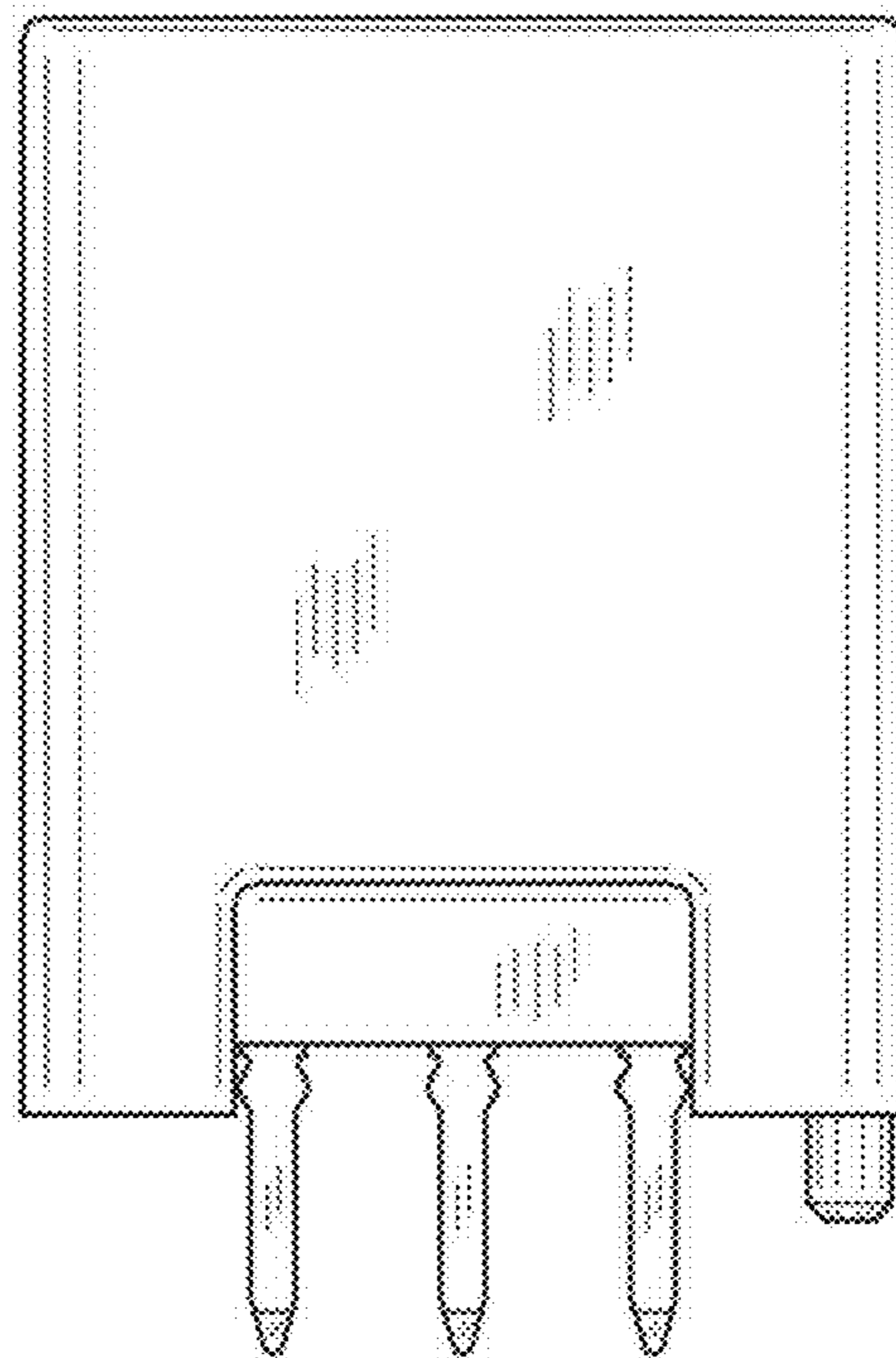


FIG. 6

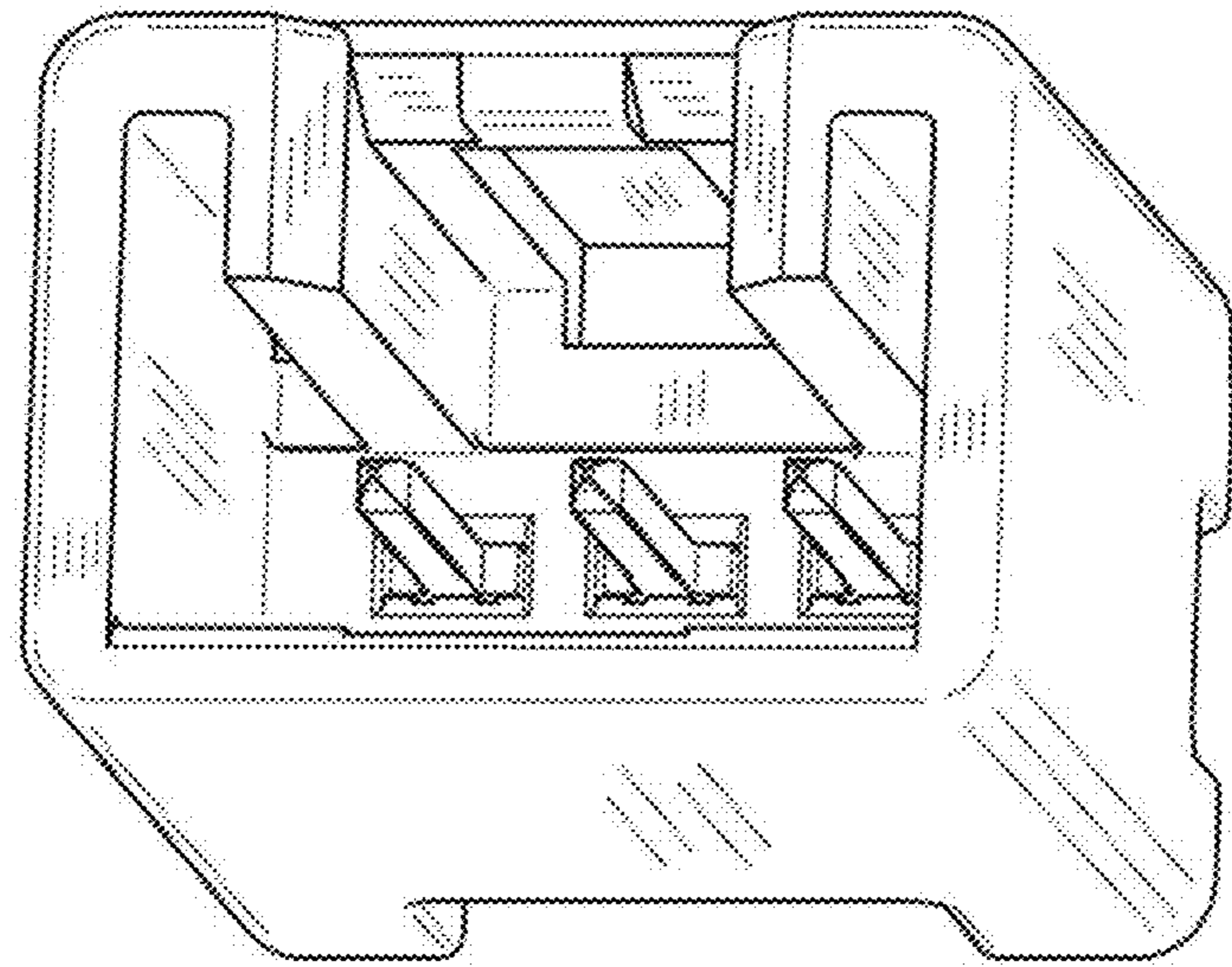


FIG. 7

FIG. 8

