



US00D847754S

(12) **United States Design Patent**  
**Liu**

(10) **Patent No.:** **US D847,754 S**  
(45) **Date of Patent:** **\*\* May 7, 2019**

(54) **COMBINED PORTABLE POWER BANK AND CAR CHARGER**

(71) Applicant: **Huizhou Volant Roc Electronics Tech Co., Ltd.**, Huizhou, Guangdong (CN)

(72) Inventor: **Pengbo Liu**, Huizhou (CN)

(73) Assignee: **HUIZHOU VOLANT ROC ELECTRONICS TECH CO., LTD.**, Huizhou, Guangdong (CN)

(\*\*) Term: **15 Years**

(21) Appl. No.: **29/633,264**

(22) Filed: **Jan. 12, 2018**

(30) **Foreign Application Priority Data**

Sep. 19, 2017 (CN) ..... 2017 3 0443989

(51) **LOC (11) Cl.** ..... **13-02**

(52) **U.S. Cl.**  
USPC ..... **D13/144; D13/108; D13/103**

(58) **Field of Classification Search**  
USPC ..... D13/103, 107-110, 118-119, 144, 184, D13/199; D14/251, 253, 432, 434  
CPC ..... Y02E 60/12; Y02T 90/14; Y02T 90/122; Y02T 90/128; Y02T 90/163; H02J 7/025; H02J 7/0042; H02J 7/0044; H02J 7/0045; H02J 7/0003; H01F 38/14; H01R 13/6675; H01R 24/58; H01R 2201/26; H01R 31/02; H01M 2/1022; H01M 2/1055; H01M 10/44; H01M 10/46; H01M 10/425; B60L 11/182  
See application file for complete search history.

(56) **References Cited**

**U.S. PATENT DOCUMENTS**

D330,700 S \* 11/1992 Wharton ..... D13/144  
D330,885 S \* 11/1992 Tattari ..... D13/108

D506,455 S \* 6/2005 Bey ..... D13/144  
D604,699 S \* 11/2009 Yamamoto ..... D13/108  
D624,500 S \* 9/2010 Chan ..... D13/144  
D624,501 S \* 9/2010 Chan ..... D13/144  
D631,837 S \* 2/2011 Smith ..... D13/108  
D653,216 S \* 1/2012 Cheng ..... D13/144  
D655,247 S \* 3/2012 Fitch ..... D13/144  
8,405,346 B2 \* 3/2013 Trigiani ..... B60L 11/1816  
320/108  
D711,829 S \* 8/2014 Liu ..... D13/144  
D722,294 S \* 2/2015 Lee ..... D13/144  
D760,650 S \* 7/2016 Juds ..... D13/110  
9,401,574 B2 \* 7/2016 Liao ..... H01R 35/04  
D762,573 S \* 8/2016 Behar ..... D13/110  
D764,413 S \* 8/2016 McHatet ..... D13/144  
D807,299 S \* 1/2018 Uggla ..... D13/144  
D825,470 S \* 8/2018 Wang ..... D13/144

\* cited by examiner

*Primary Examiner* — Rosemary K Tarcza

(74) *Attorney, Agent, or Firm* — Chung-Ming Shih

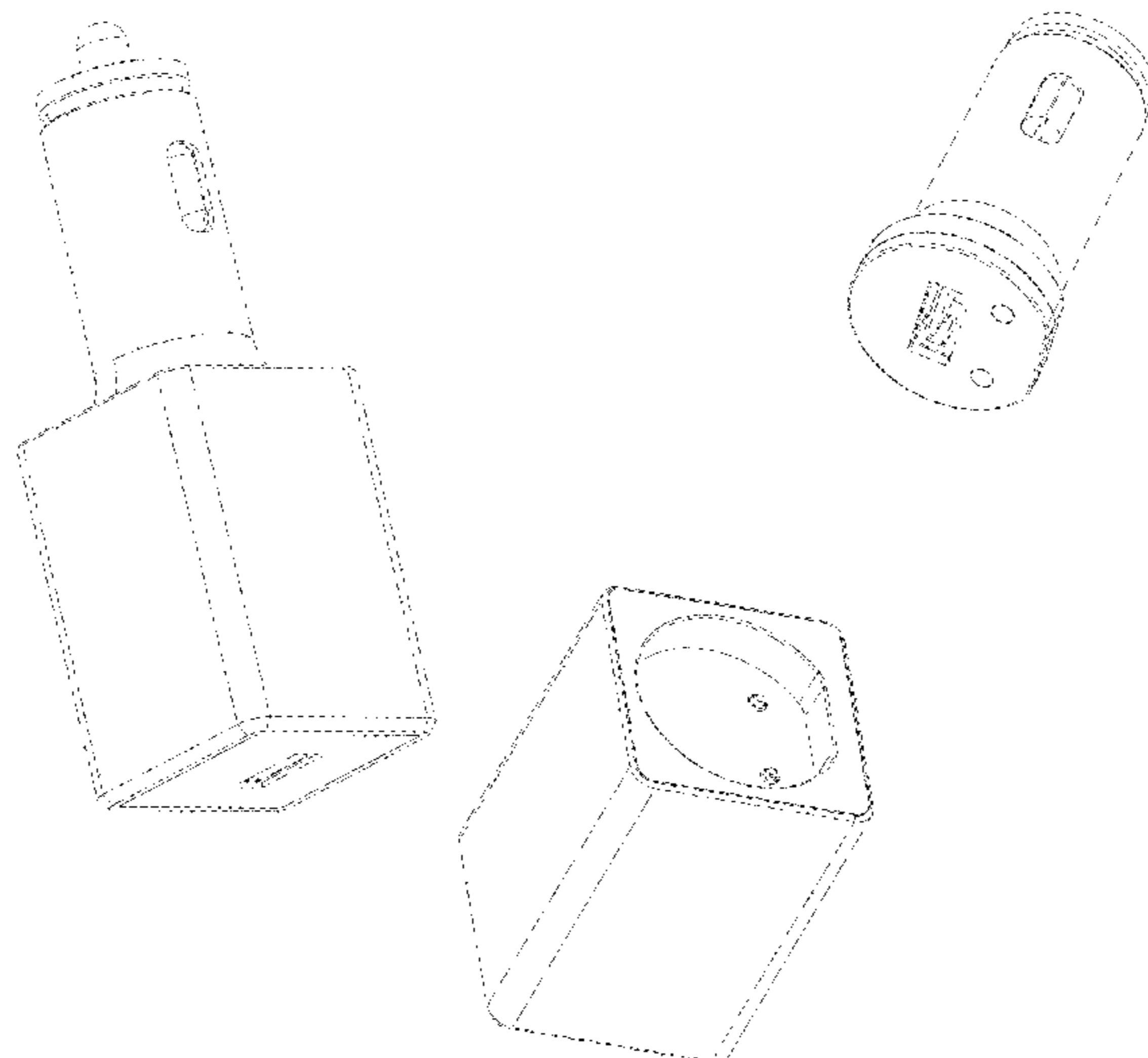
(57) **CLAIM**

The ornamental design for a combined portable power bank and car charger, as shown and described.

**DESCRIPTION**

FIG. 1 is a perspective view of a combined portable power bank and car charger showing the new design;  
FIG. 2 is a front view, the rear view being a mirror image thereof;  
FIG. 3 is a left side elevational view, the right side elevational view being a mirror image thereof;  
FIG. 4 is a top view thereof;  
FIG. 5 is a bottom view thereof; and,  
FIG. 6 is an exploded perspective view thereof.

**1 Claim, 5 Drawing Sheets**



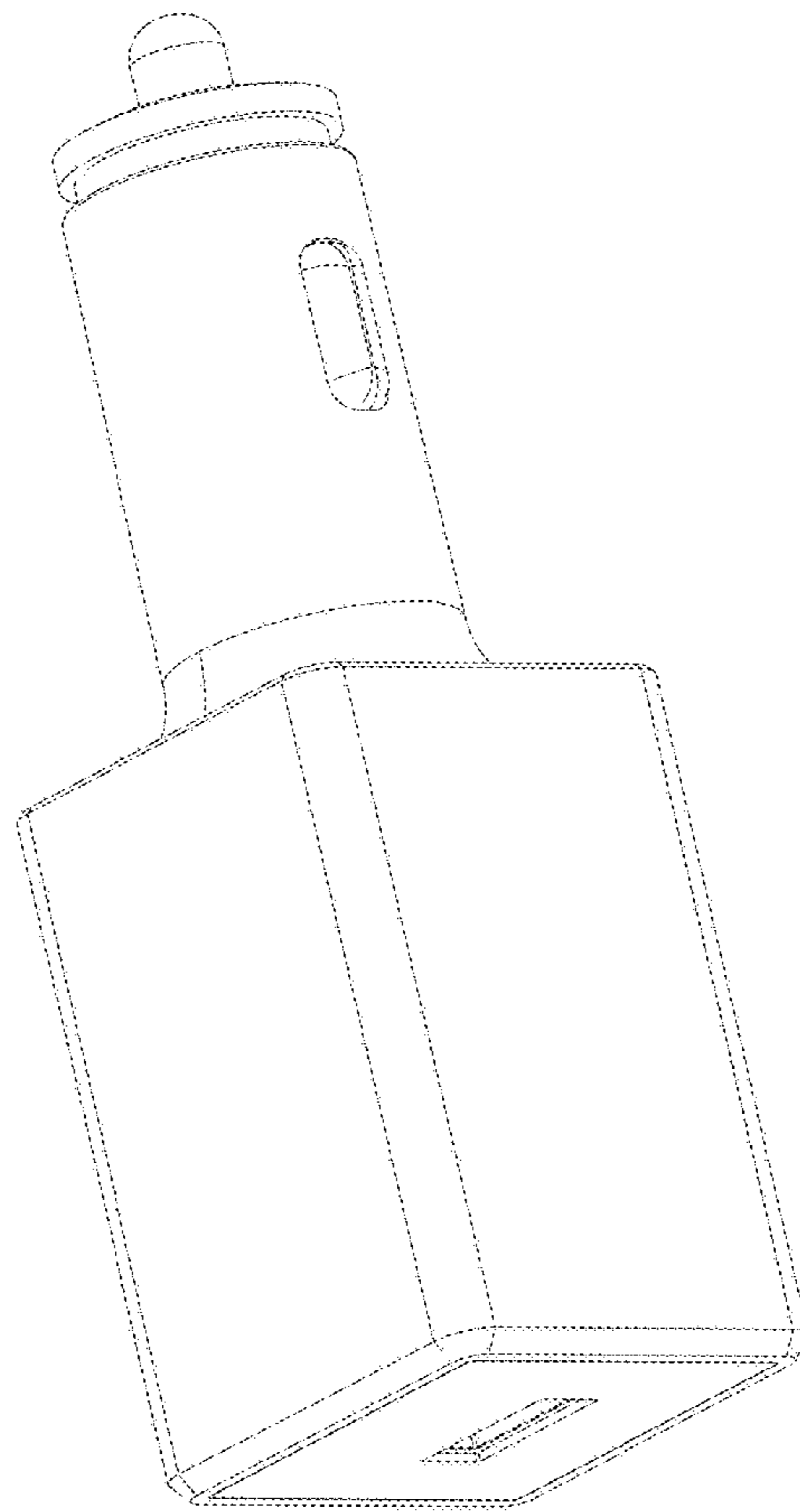


FIG. 1

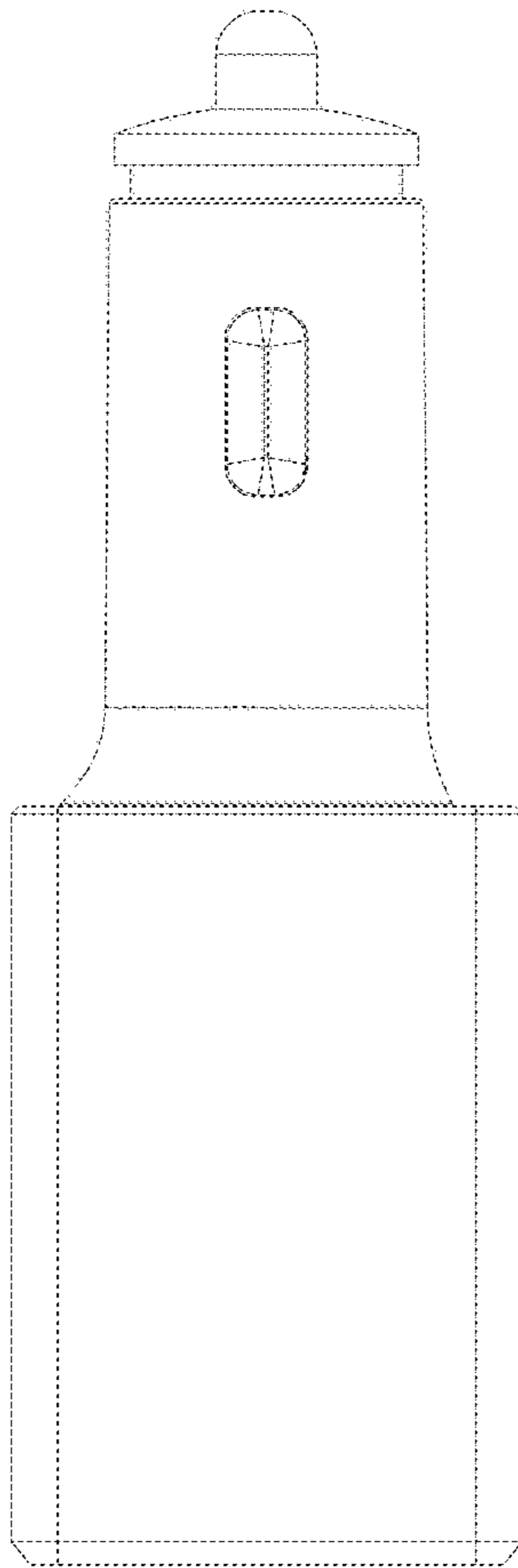


FIG. 2

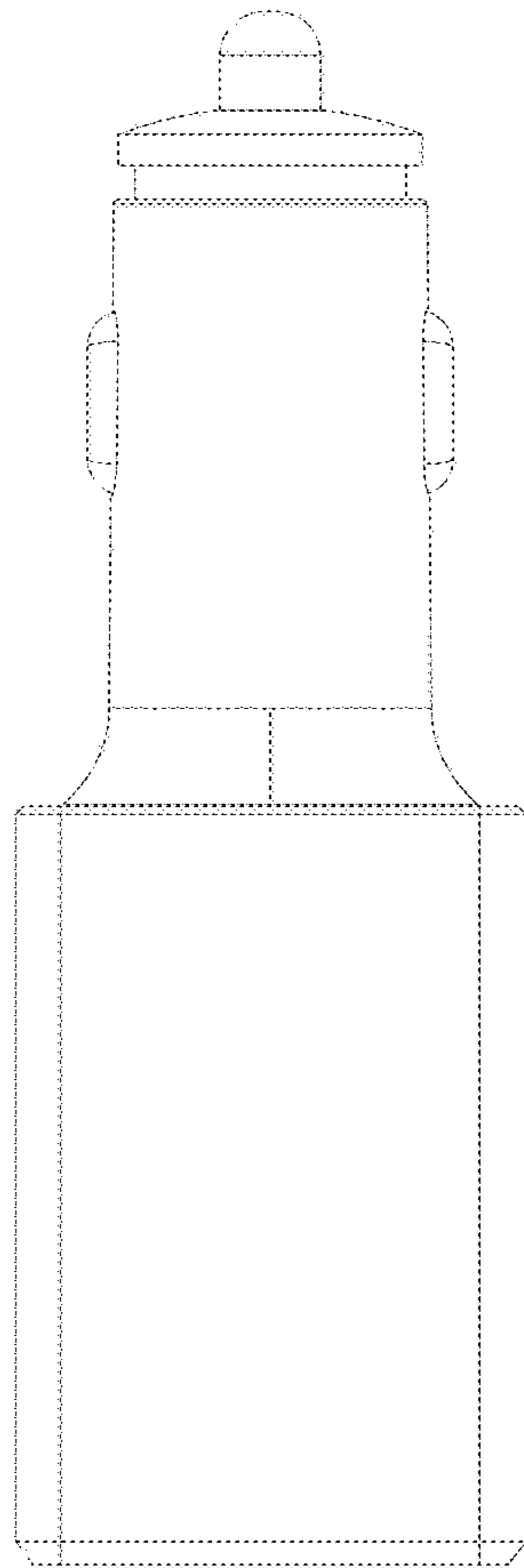


FIG. 3

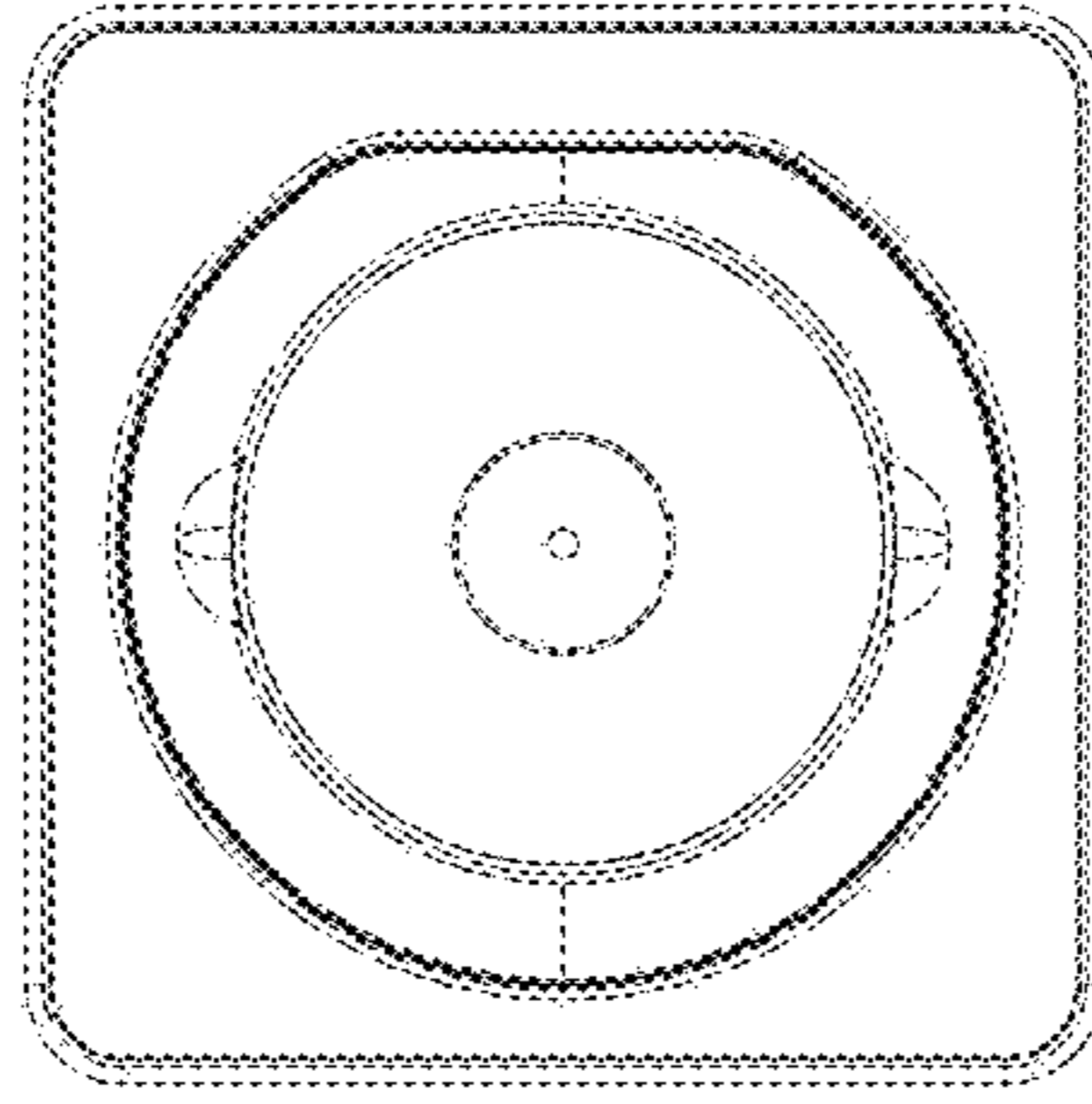


FIG. 4

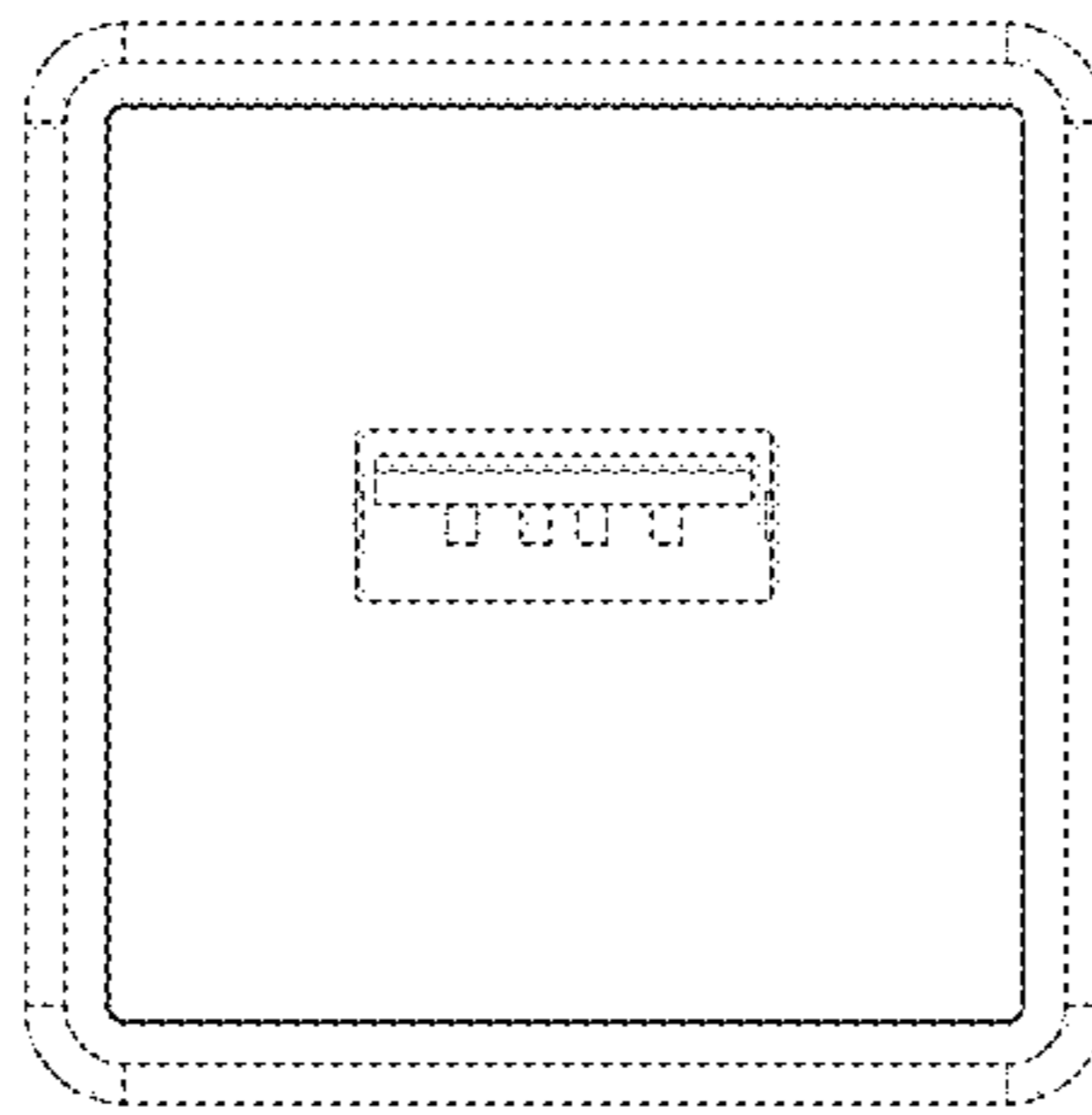


FIG. 5

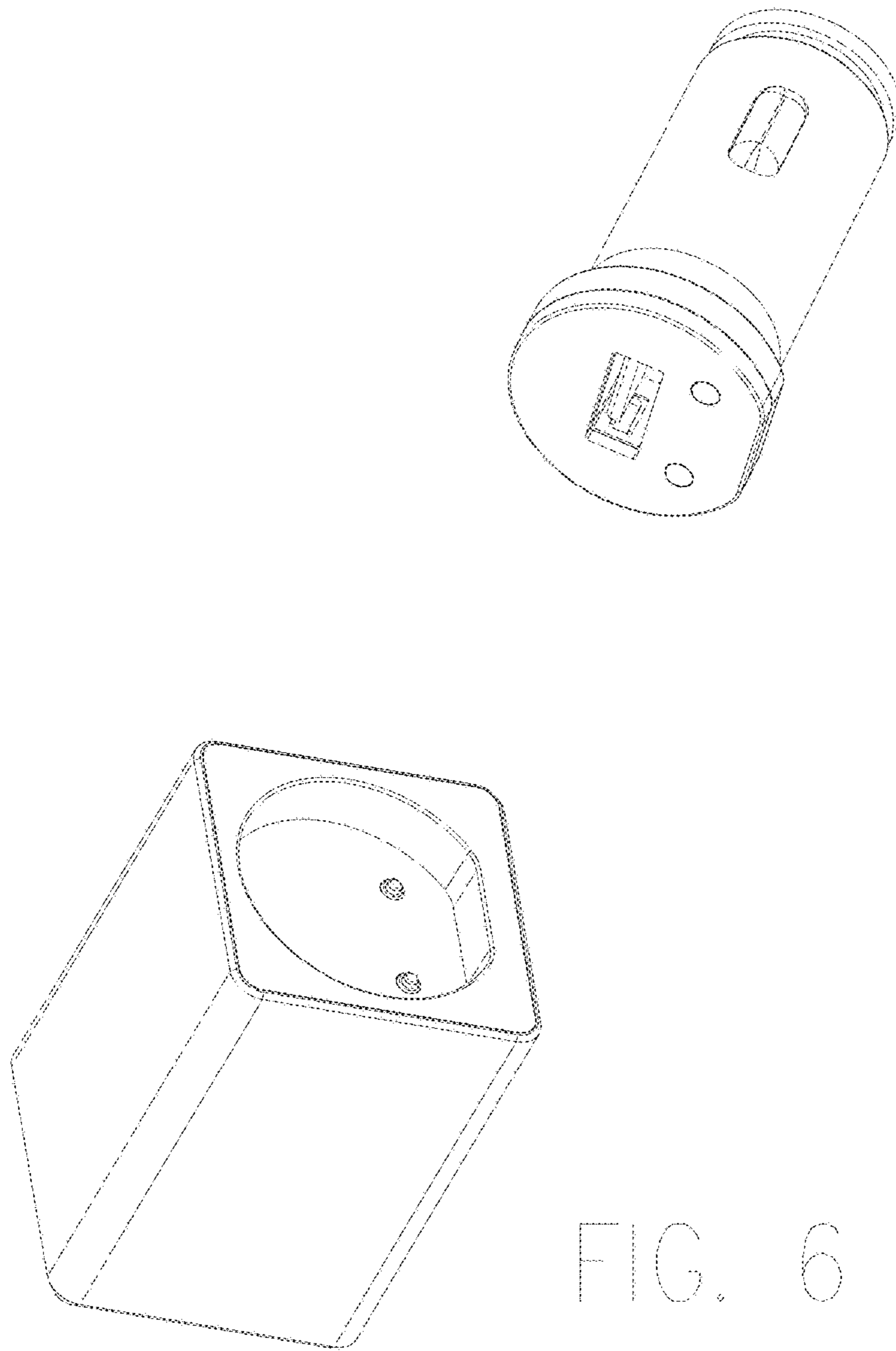


FIG. 6