



US00D847747S

(12) **United States Design Patent** (10) **Patent No.:** **US D847,747 S**
Rasmussen (45) **Date of Patent:** **** May 7, 2019**

(54) **ELECTRICAL CONNECTOR HOUSING**
(71) Applicant: **ATL Technology, LLC**, Springville, UT (US)
(72) Inventor: **Kelly E. Rasmussen**, Elk Ridge, UT (US)
(73) Assignee: **ATL TECHNOLOGY, LLC**, Springville, UT (US)

D712,360 S * 9/2014 Su D13/147
D733,655 S * 7/2015 Sato D13/133
D798,381 S * 9/2017 Martin D18/56
D804,661 S * 12/2017 Shoji D24/129
9,882,369 B2 * 1/2018 Pearce B32B 27/08
D810,025 S * 2/2018 Watkins D13/133
D818,582 S * 5/2018 Bow D24/129
2015/0059904 A1 * 3/2015 Nokkentved F16L 11/088
138/104

(**) Term: **15 Years**
(21) Appl. No.: **29/623,519**

FOREIGN PATENT DOCUMENTS

GB 6029790 * 12/2018

* cited by examiner

(22) Filed: **Oct. 25, 2017**
(51) **LOC (11) Cl.** **13-03**
(52) **U.S. Cl.**
USPC **D13/133**
(58) **Field of Classification Search**
USPC D13/118–120, 123, 133, 145–149,
D13/153–157, 173, 184, 199; D24/129
CPC . F16L 19/00; F16L 25/00; F16L 29/00; F16L
33/00; F16L 37/00; F16L 55/00; H01R
4/00; H01R 9/08; H01R 12/00; H01R
13/44; H01R 13/52; H01R 13/62; H01R
13/625; H01R 13/639; H01R 25/00;
H01R 27/00
See application file for complete search history.

Primary Examiner — Angela J Lee
Assistant Examiner — Shawn T Gingrich
(74) *Attorney, Agent, or Firm* — Kunzler, P.C.

(56) **References Cited**

U.S. PATENT DOCUMENTS

2,146,612 A * 2/1939 Alden H01R 27/00
174/395
D317,293 S * 6/1991 Brisson D13/133
D412,885 S * 8/1999 Toly D13/133
D599,739 S * 9/2009 Holliday D13/133
D646,230 S * 10/2011 Natoli D13/156

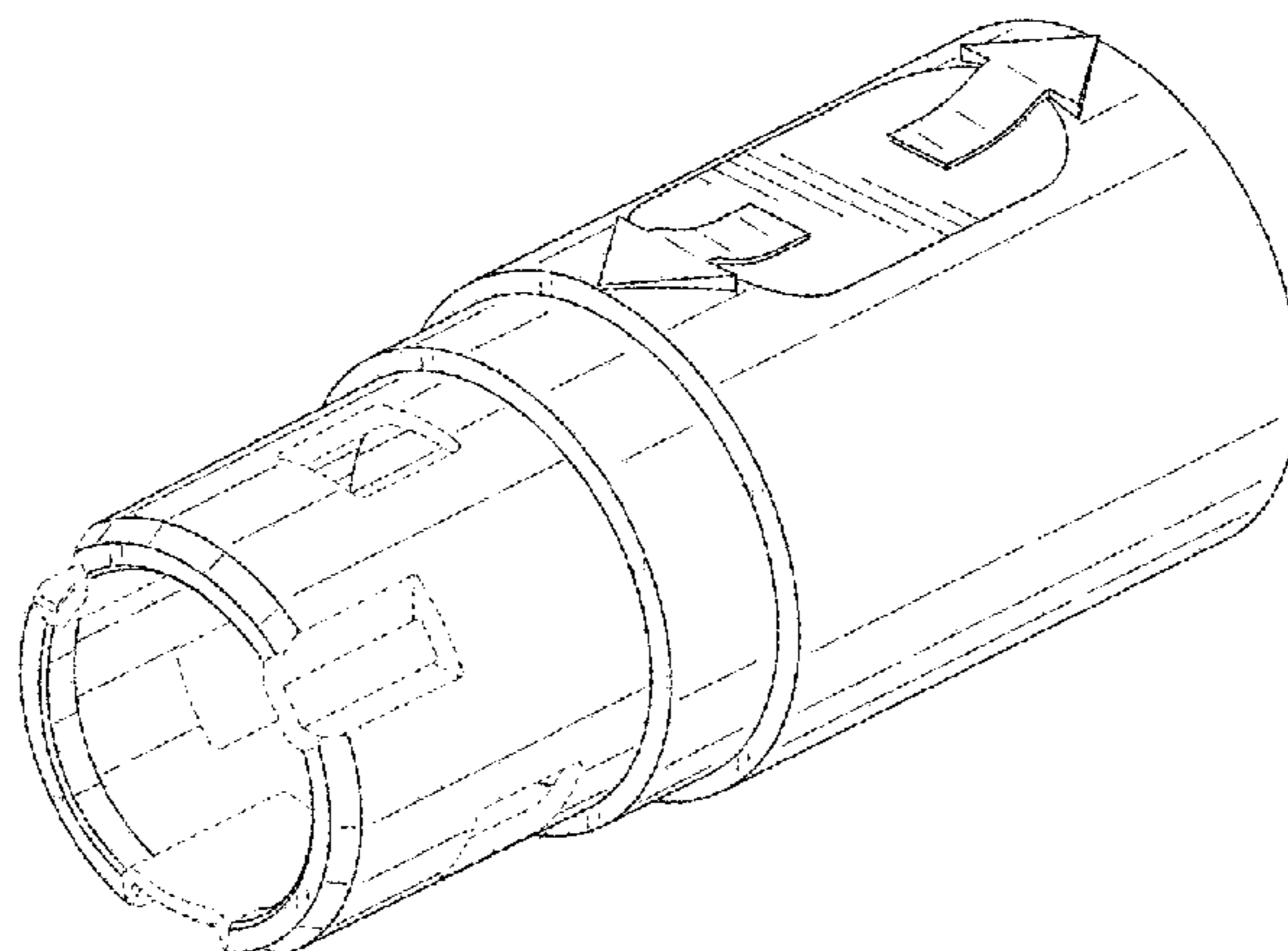
(57) **CLAIM**

The ornamental design for the electrical connector housing, as shown and described.

DESCRIPTION

FIG. 1 is a perspective view of the electrical connector housing;
FIG. 2 is a left side view of the electrical connector housing;
FIG. 3 is a right side view of the electrical connector housing;
FIG. 4 is a rear view of the electrical connector housing;
FIG. 5 is a front view of the electrical connector housing;
FIG. 6 is a top view of the electrical connector housing; and,
FIG. 7 is a bottom view of the electrical connector housing.
The broken lines in the drawings illustrate portions of the electrical connector housing that form no part of the claimed design.

1 Claim, 6 Drawing Sheets



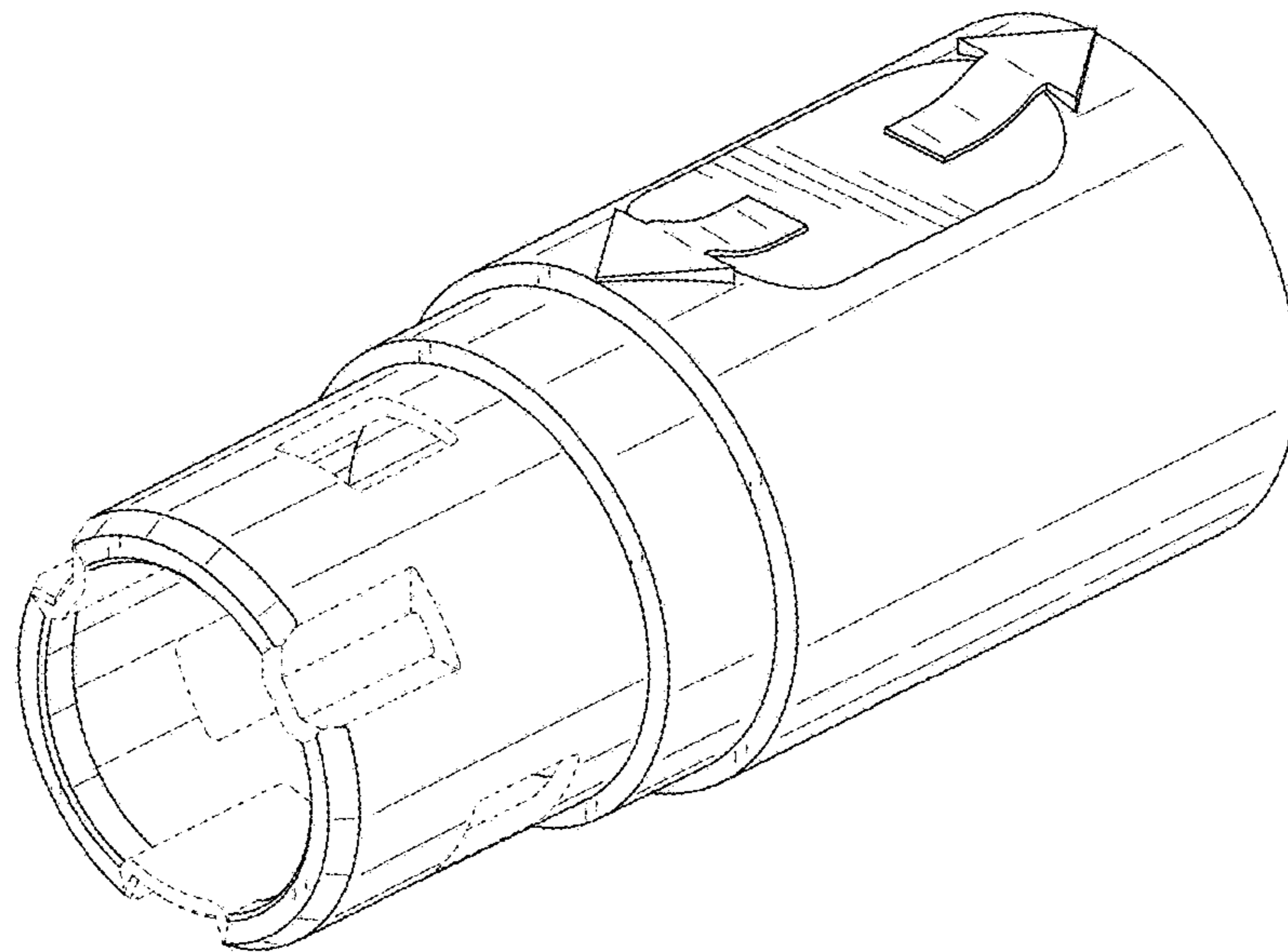


FIG. 1

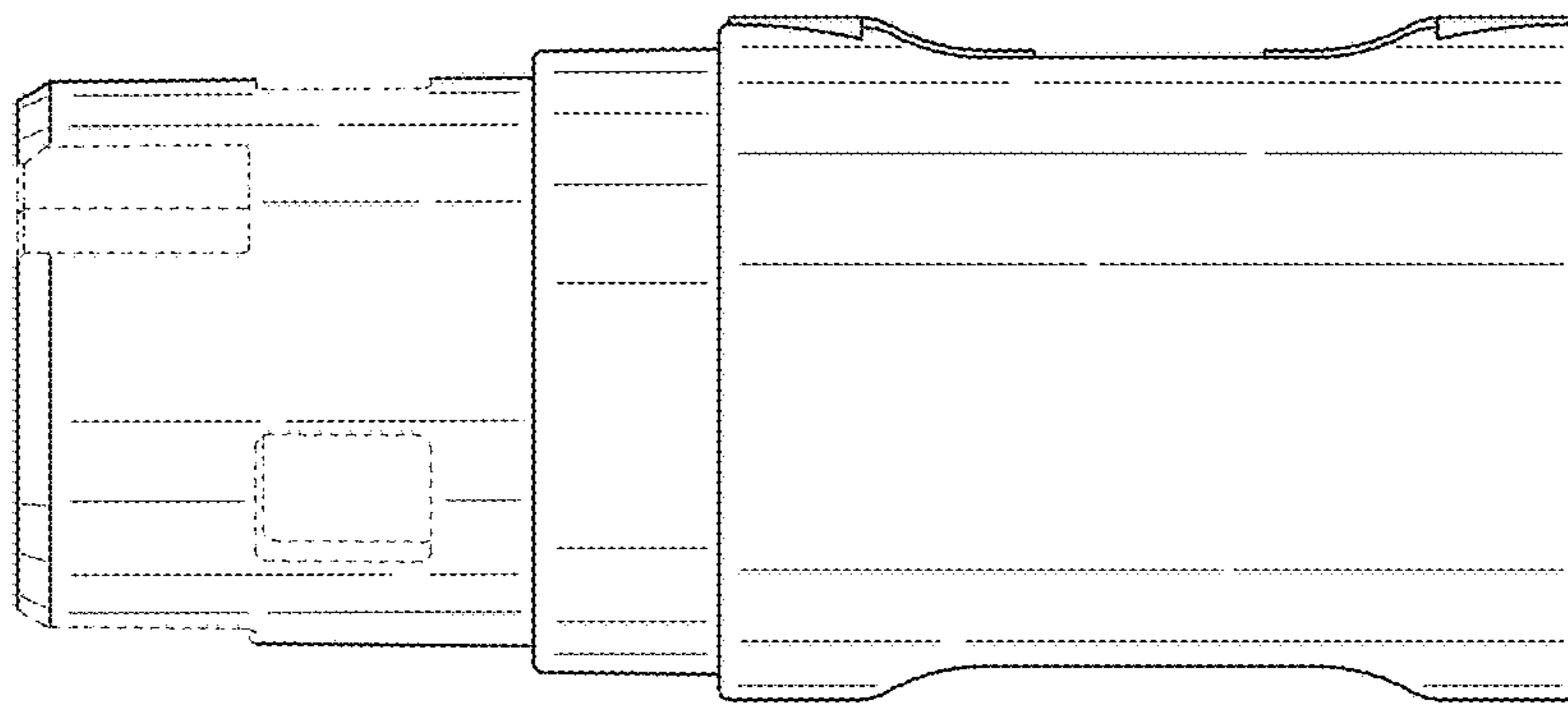


FIG. 2

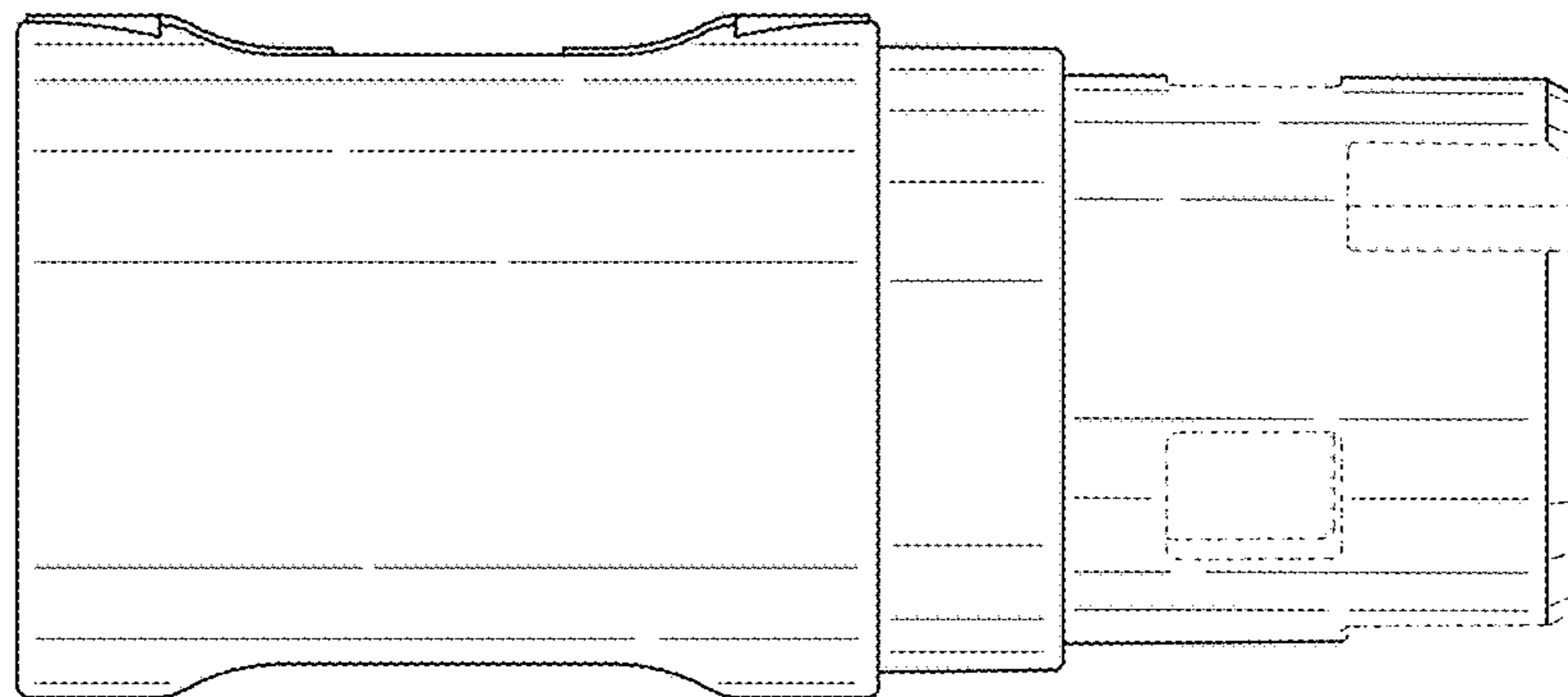


FIG. 3

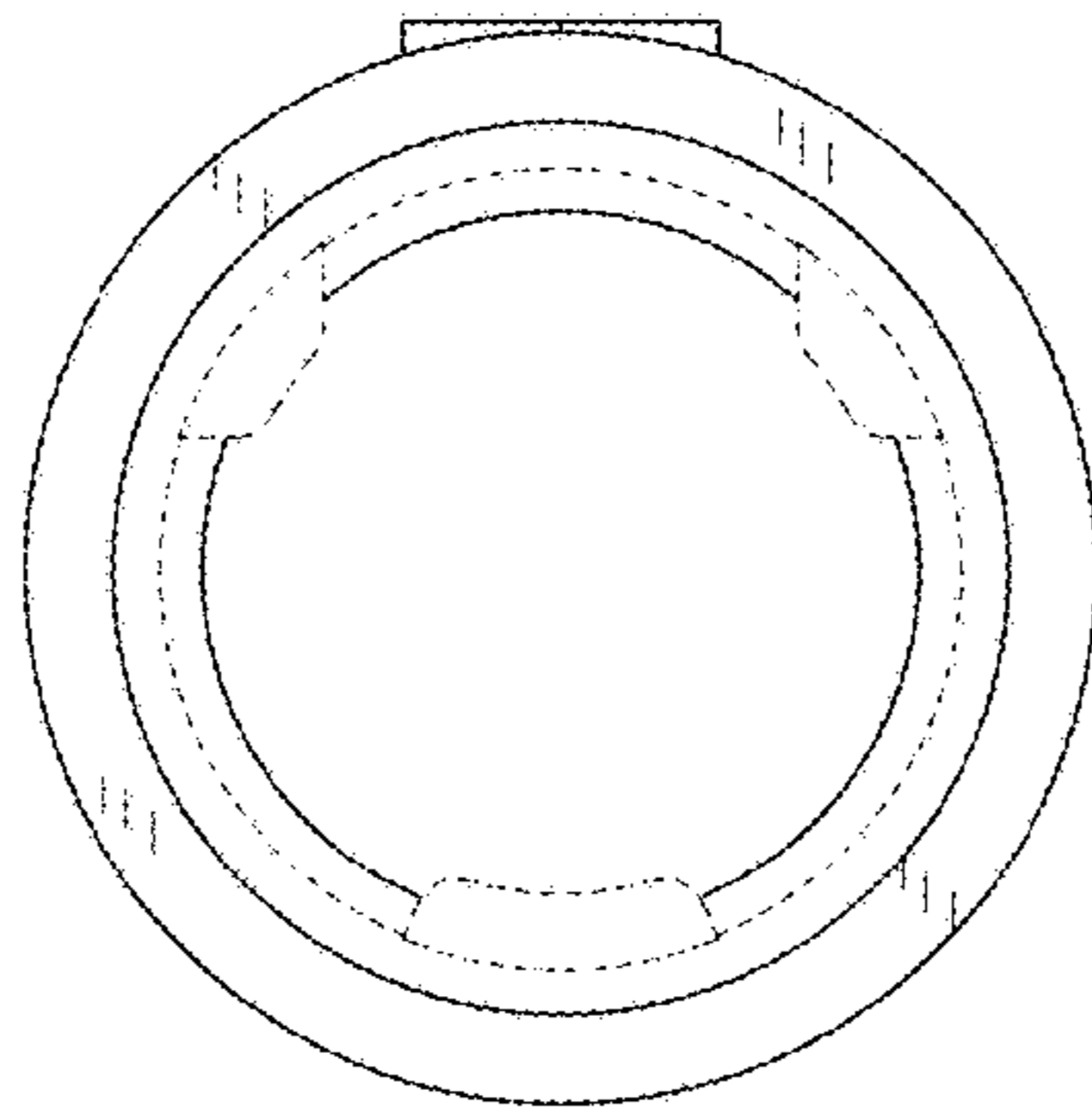


FIG. 4

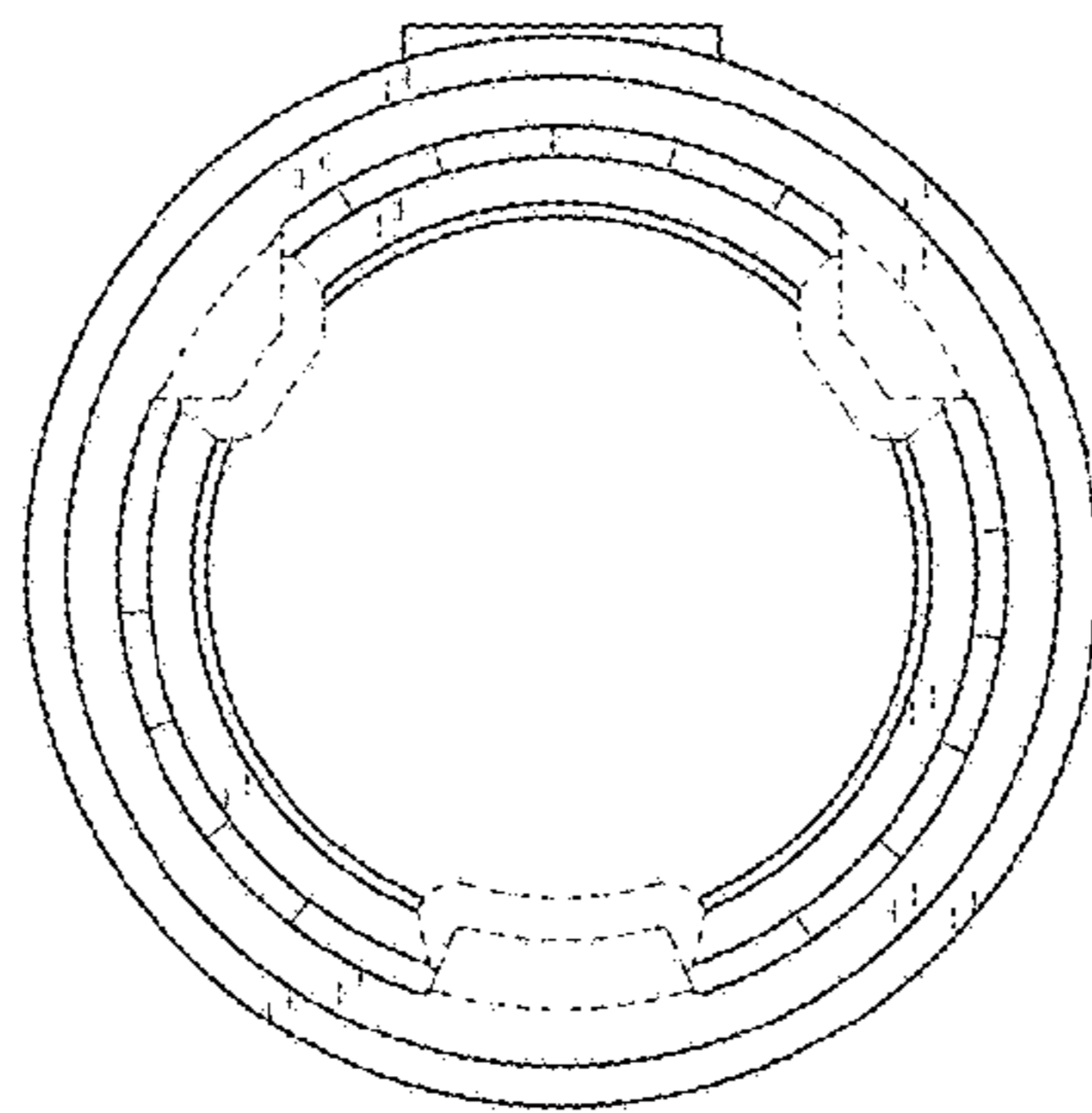


FIG. 5

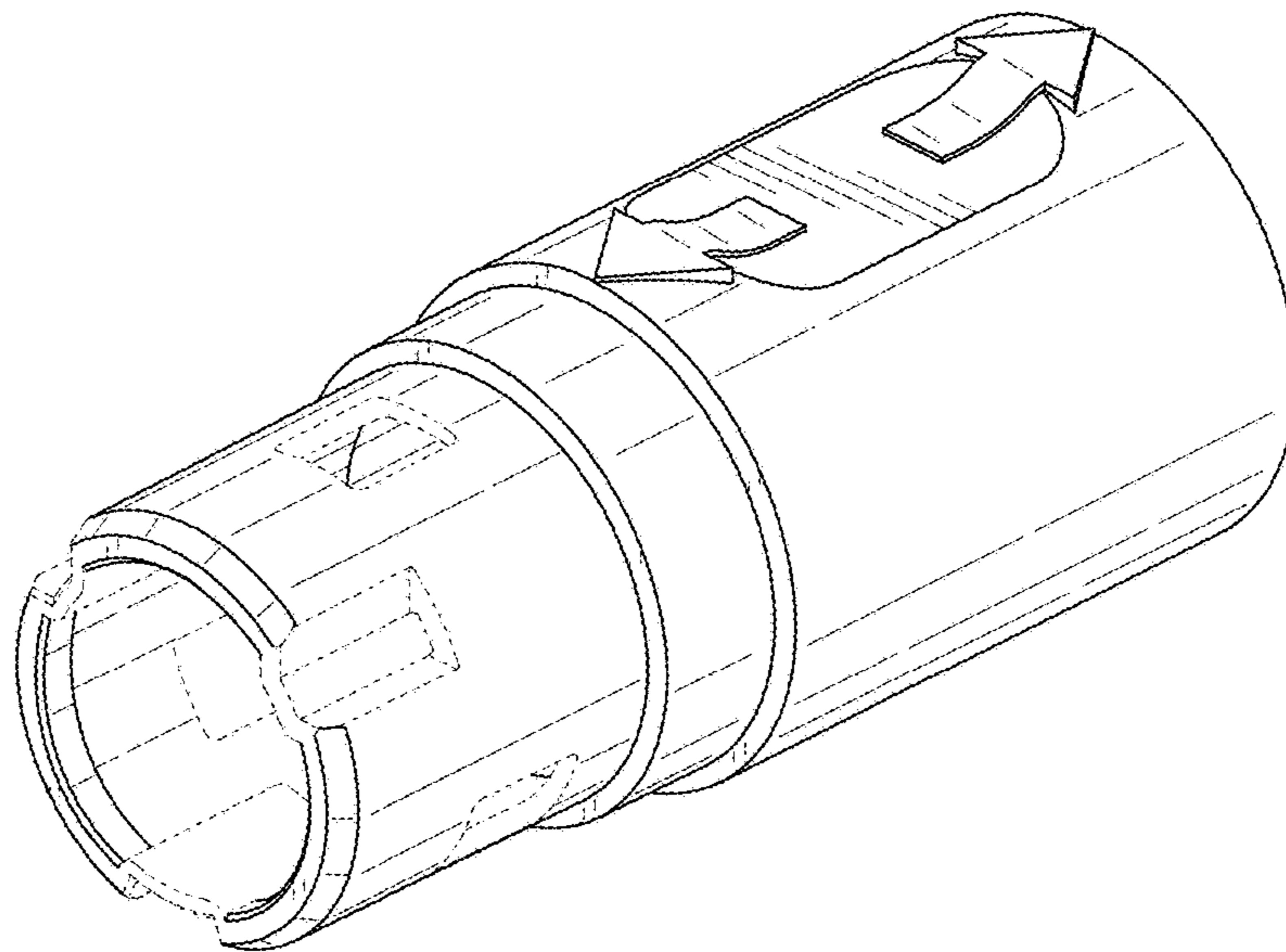


FIG. 1

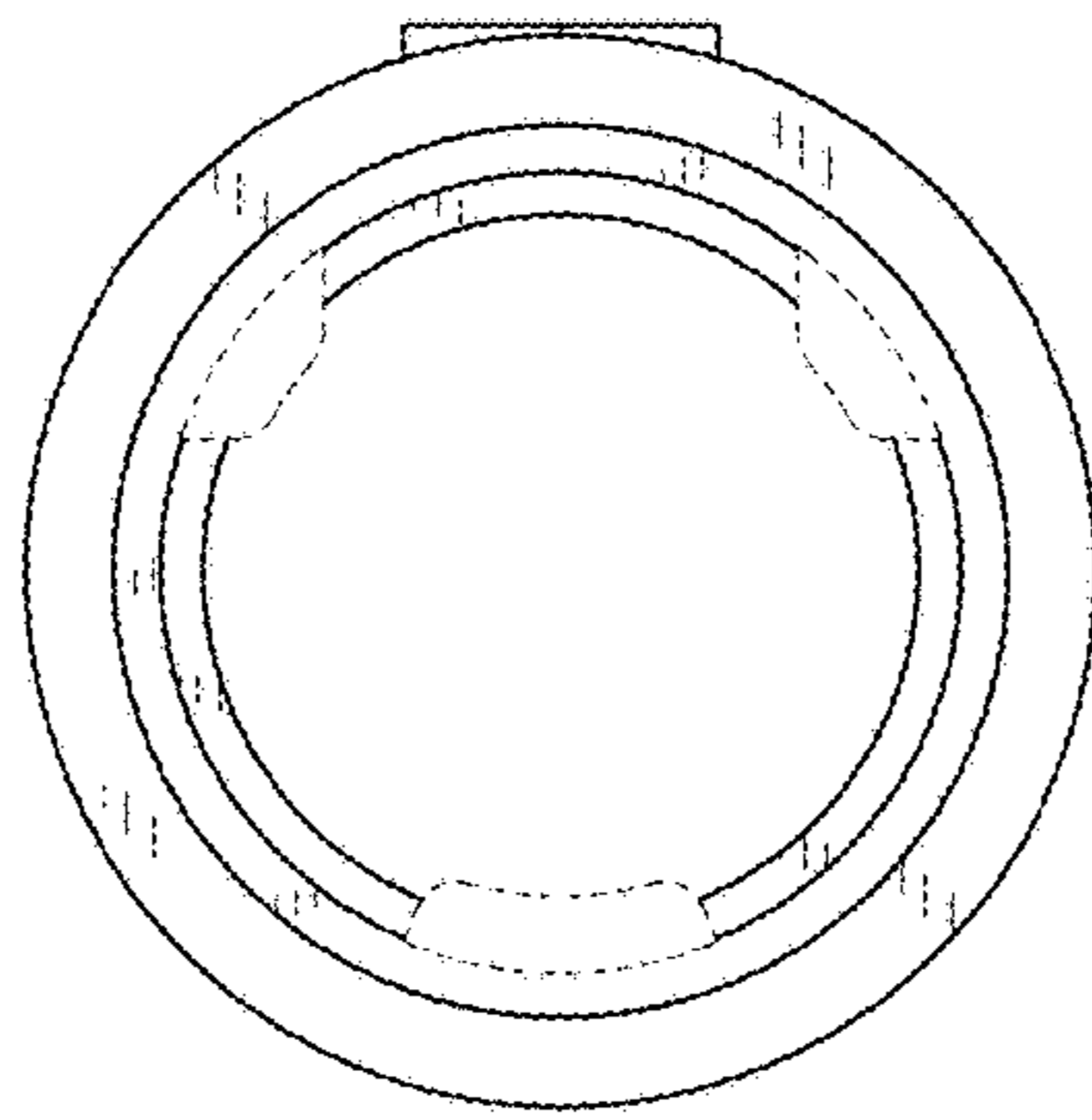


FIG. 4

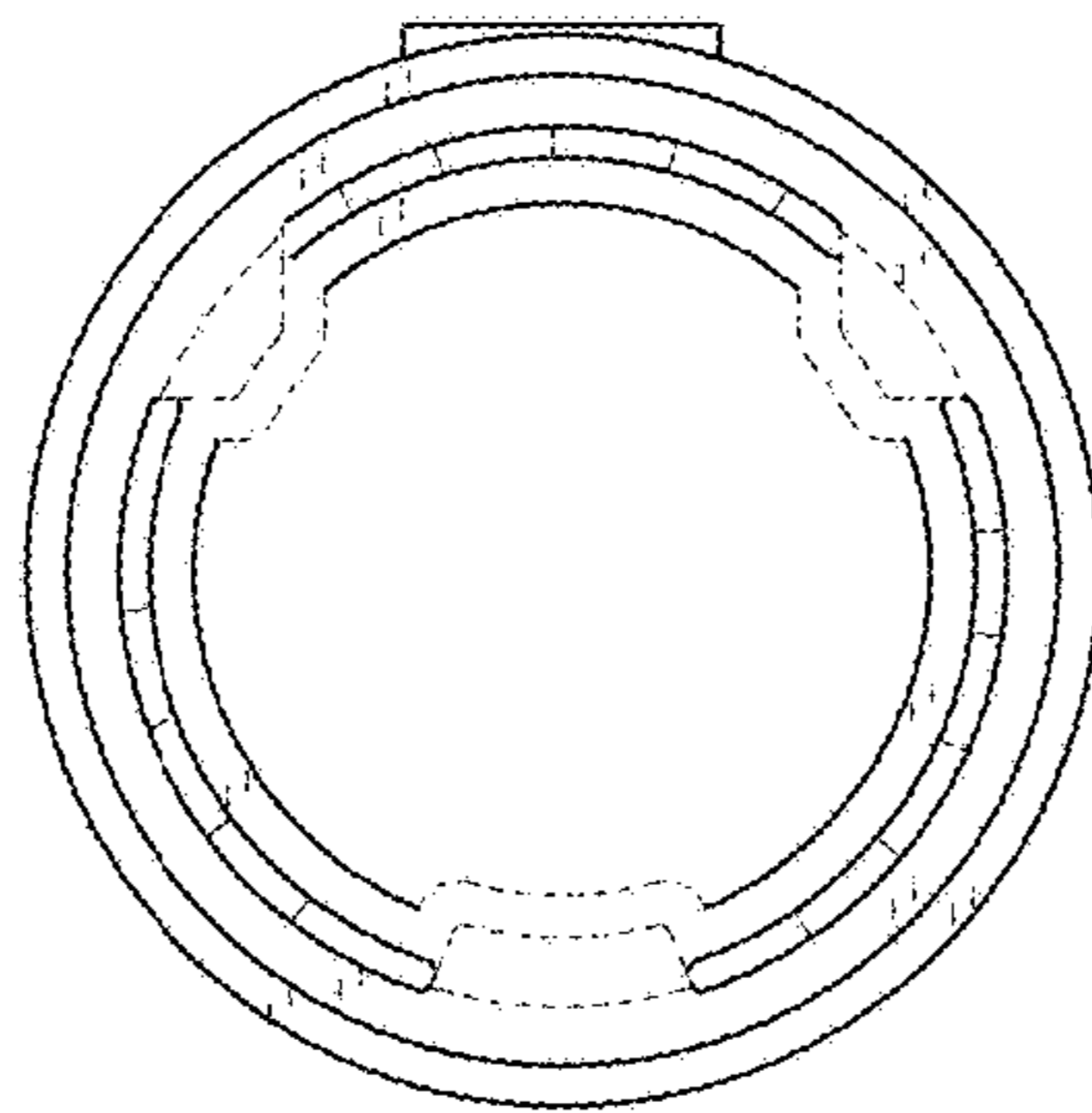


FIG. 5

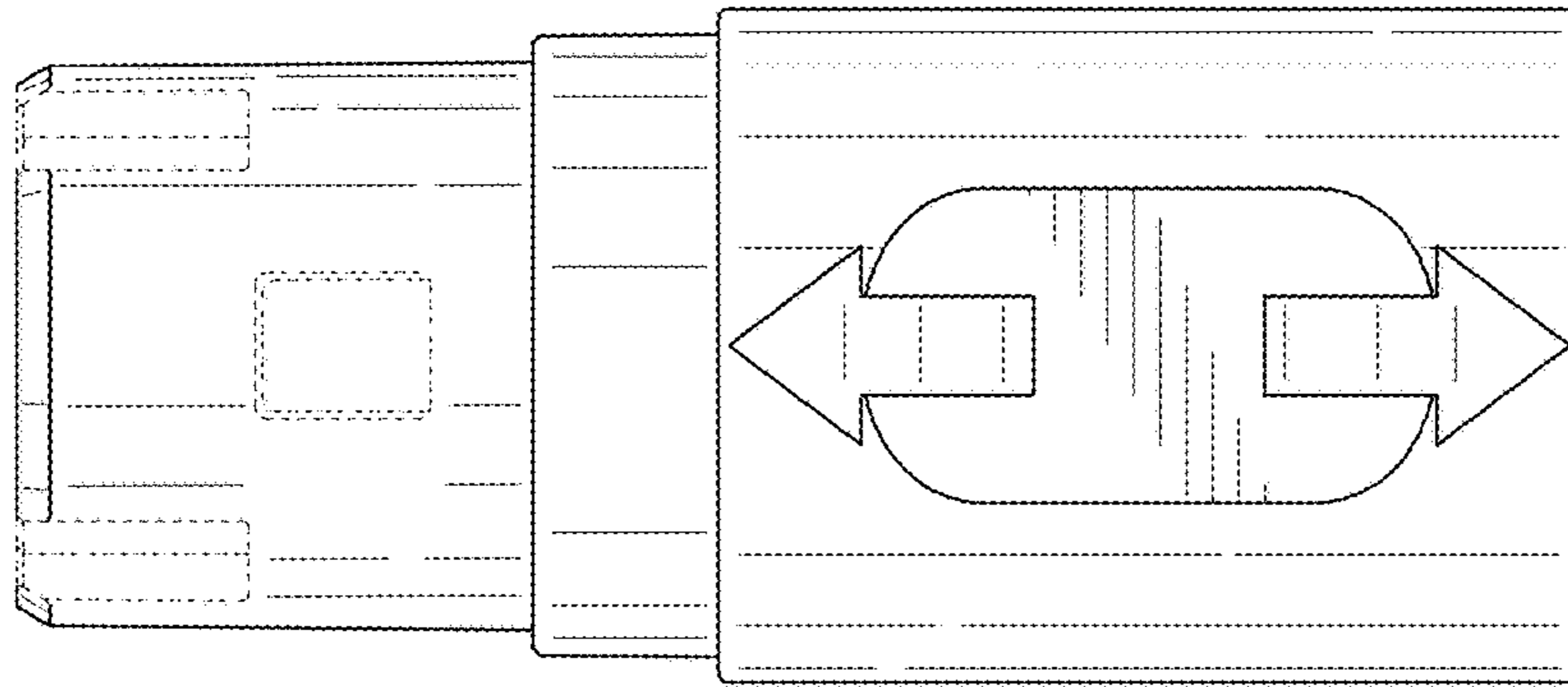


FIG. 6

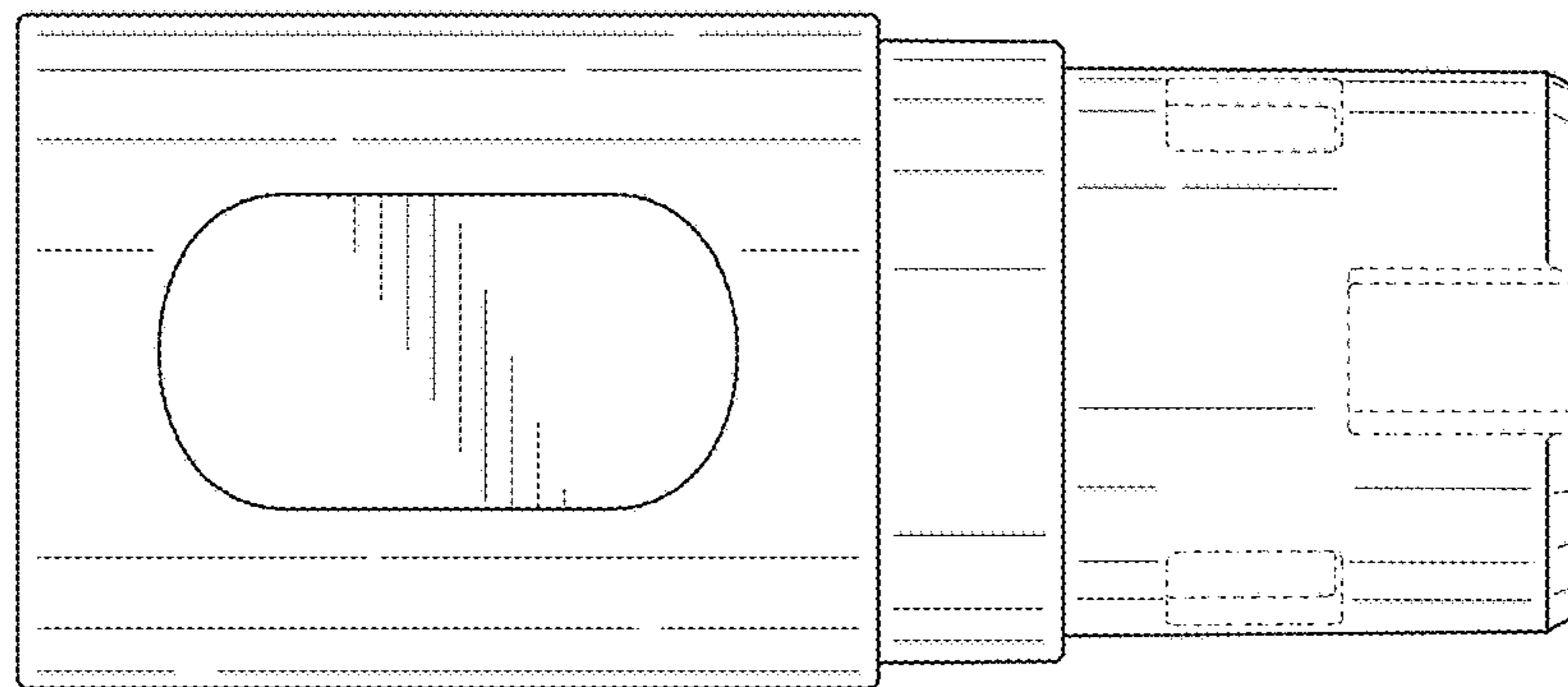


FIG. 7