



US00D847743S

(12) **United States Design Patent**  
**Claeys**

(10) **Patent No.:** **US D847,743 S**

(45) **Date of Patent:** **\*\* May 7, 2019**

(54) **VOLTAGE TRANSDUCER**  
(71) Applicant: **LEM INTELLECTUAL PROPERTY SA, Fribourg (FR)**  
(72) Inventor: **Stéphane Claeys, Chevrier (FR)**  
(\*\*) Term: **15 Years**  
(21) Appl. No.: **35/504,676**  
(22) Filed: **Sep. 29, 2017**

(80) **Hague Agreement Data**

Int. Filing Date: **Sep. 29, 2017**  
Int. Reg. No.: **DM/097935**  
Int. Reg. Date: **Sep. 29, 2017**  
Int. Reg. Pub. Date: **Mar. 30, 2018**

(51) **LOC (11) Cl.** ..... **13-02**

(52) **U.S. Cl.**  
USPC ..... **D13/110**

(58) **Field of Classification Search**  
USPC ..... D13/110, 182; 307/66, 150, 34;  
340/384.2; 381/401; 29/621.1; 310/326  
CPC ..... A01M 29/18; H04R 9/025; H02J 7/0045;  
H02J 3/14; G01L 19/0084; H05K  
7/20572; H01L 41/0906  
See application file for complete search history.

(56) **References Cited**

**U.S. PATENT DOCUMENTS**

3,979,566 A \* 9/1976 Willy ..... H04R 9/025  
381/401  
4,125,782 A \* 11/1978 Pollnow, Jr. .... H02J 3/14  
307/34  
4,220,887 A \* 9/1980 Kompanek ..... H01L 41/0906  
310/326  
5,168,171 A \* 12/1992 Tracewell ..... H05K 7/20572  
307/150  
5,184,107 A \* 2/1993 Maurer ..... G01L 19/0084  
29/621.1

5,606,305 A \* 2/1997 Jan ..... A01M 29/18  
340/384.2  
6,222,342 B1 \* 4/2001 Eggert ..... H02J 7/0045  
307/66  
D610,541 S \* 2/2010 Mueller ..... D13/110  
D613,686 S \* 4/2010 Mueller ..... D13/110  
D684,927 S \* 6/2013 Sage ..... D13/110  
D685,325 S \* 7/2013 Hayashi ..... D13/110  
D685,734 S \* 7/2013 Sage ..... D13/110  
D686,156 S \* 7/2013 Ye ..... D13/110  
D686,989 S \* 7/2013 Hayashi ..... D13/110  
D688,626 S \* 8/2013 Ye ..... D13/110  
D742,842 S \* 11/2015 Hayashi ..... D13/182  
D751,034 S \* 3/2016 Ye ..... D13/110  
D766,180 S \* 9/2016 Morel ..... D13/110  
D769,190 S \* 10/2016 Sid ..... D13/110  
D769,817 S \* 10/2016 Sid ..... D13/110  
D795,806 S \* 8/2017 Delmaere ..... D13/110  
D803,154 S \* 11/2017 Delmaere ..... D13/110  
D812,001 S \* 3/2018 Marcoz ..... D13/110  
D815,595 S \* 4/2018 Claeys ..... D13/110  
D828,298 S \* 9/2018 Claeys ..... D13/110  
D829,654 S \* 10/2018 Sid ..... D13/110  
D830,300 S \* 10/2018 Morel ..... D13/110

(Continued)

Primary Examiner — Rhea Shields

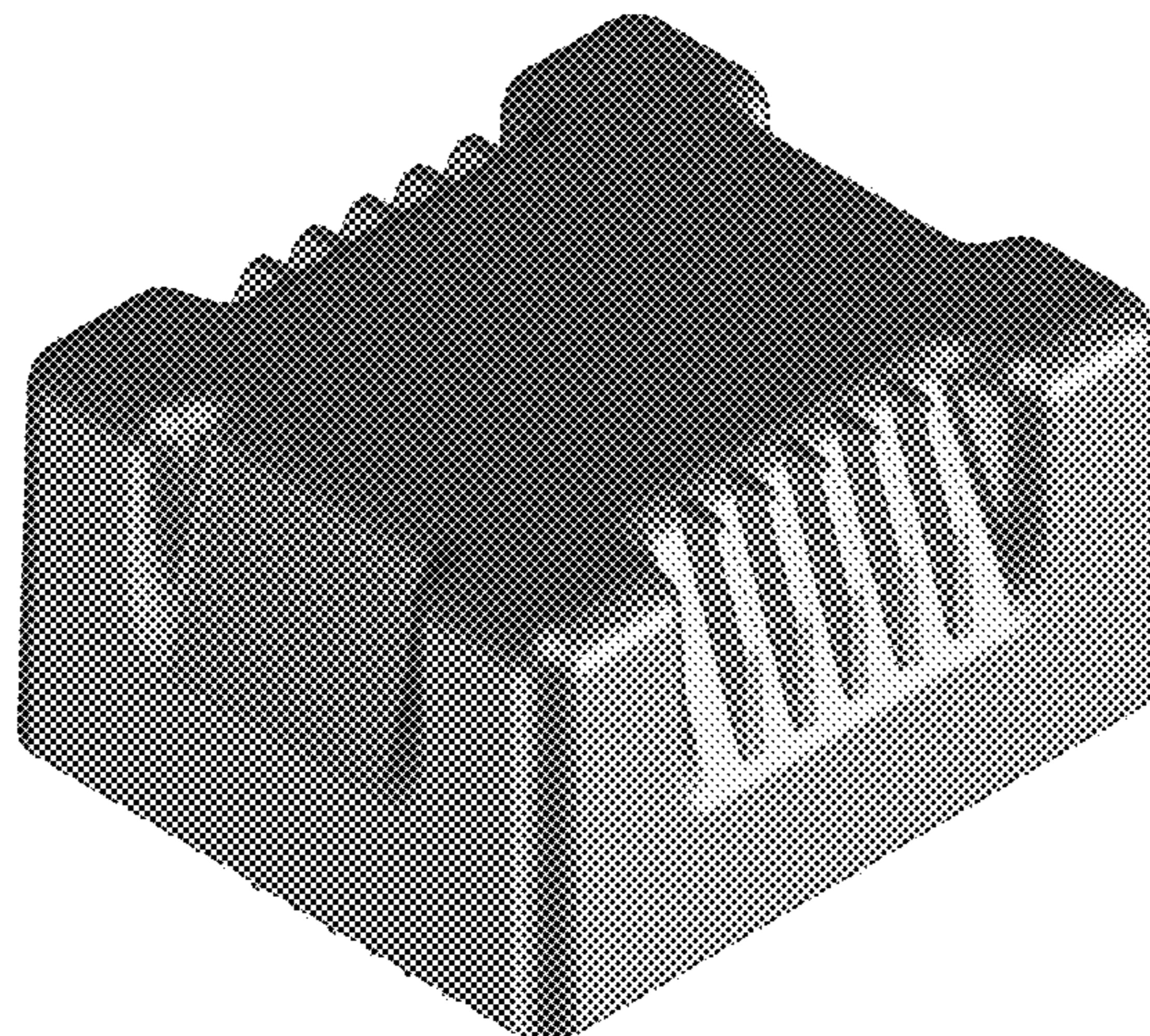
(57) **CLAIM**

The ornamental design for a voltage transducer, as shown and described.

**DESCRIPTION**

- 1. Voltage transducer
- 1.1 : Perspective
- 1.2 : Perspective
- 1.3 : Front
- 1.4 : Back
- 1.5 : Top
- 1.6 : Bottom
- 1.7 : Left
- 1.8 : Right

**1 Claim, 8 Drawing Sheets**



(56)

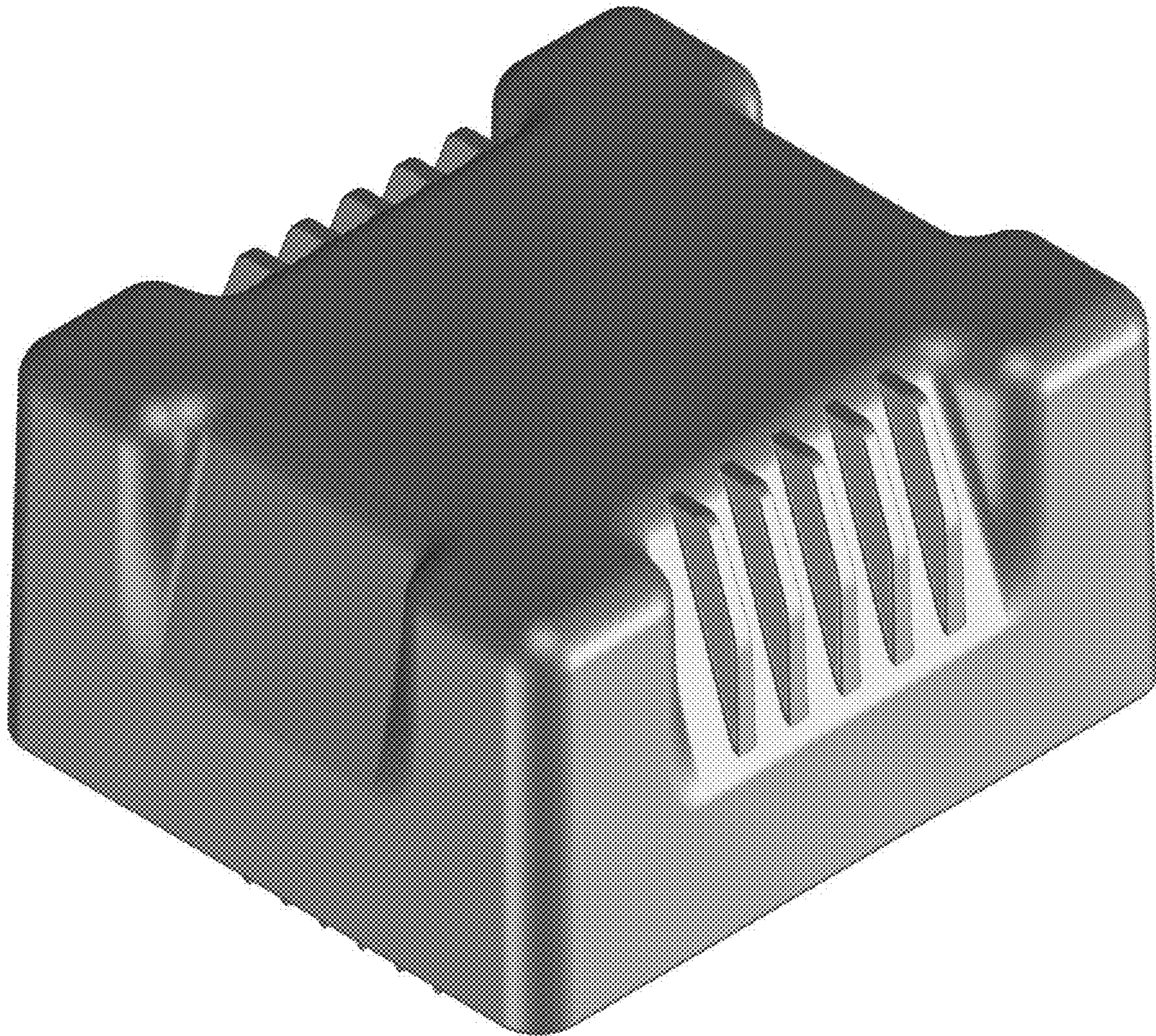
**References Cited**

U.S. PATENT DOCUMENTS

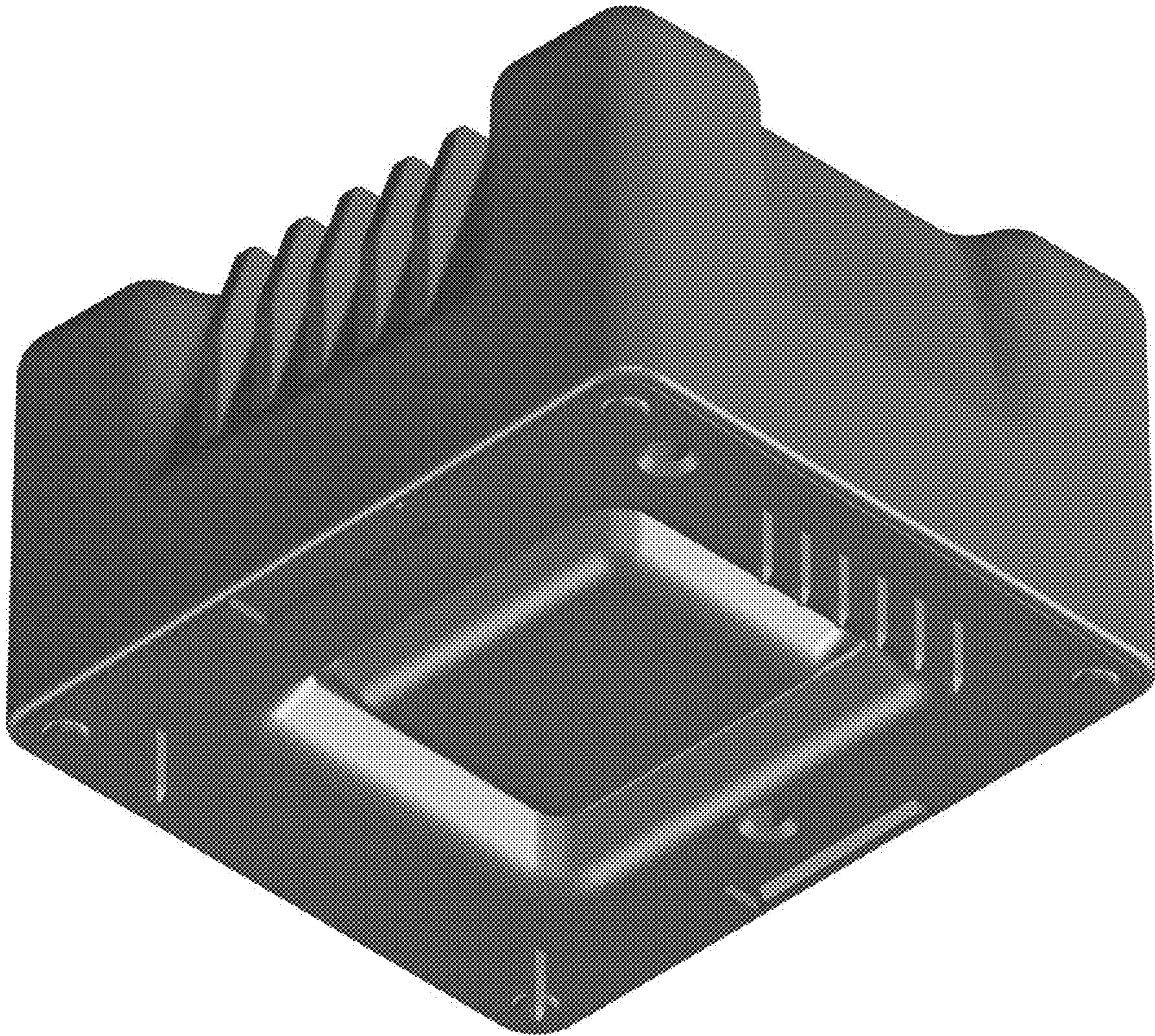
D833,391 S \* 11/2018 Claeys ..... D13/110  
D835,038 S \* 12/2018 Delmaere ..... D13/110

\* cited by examiner

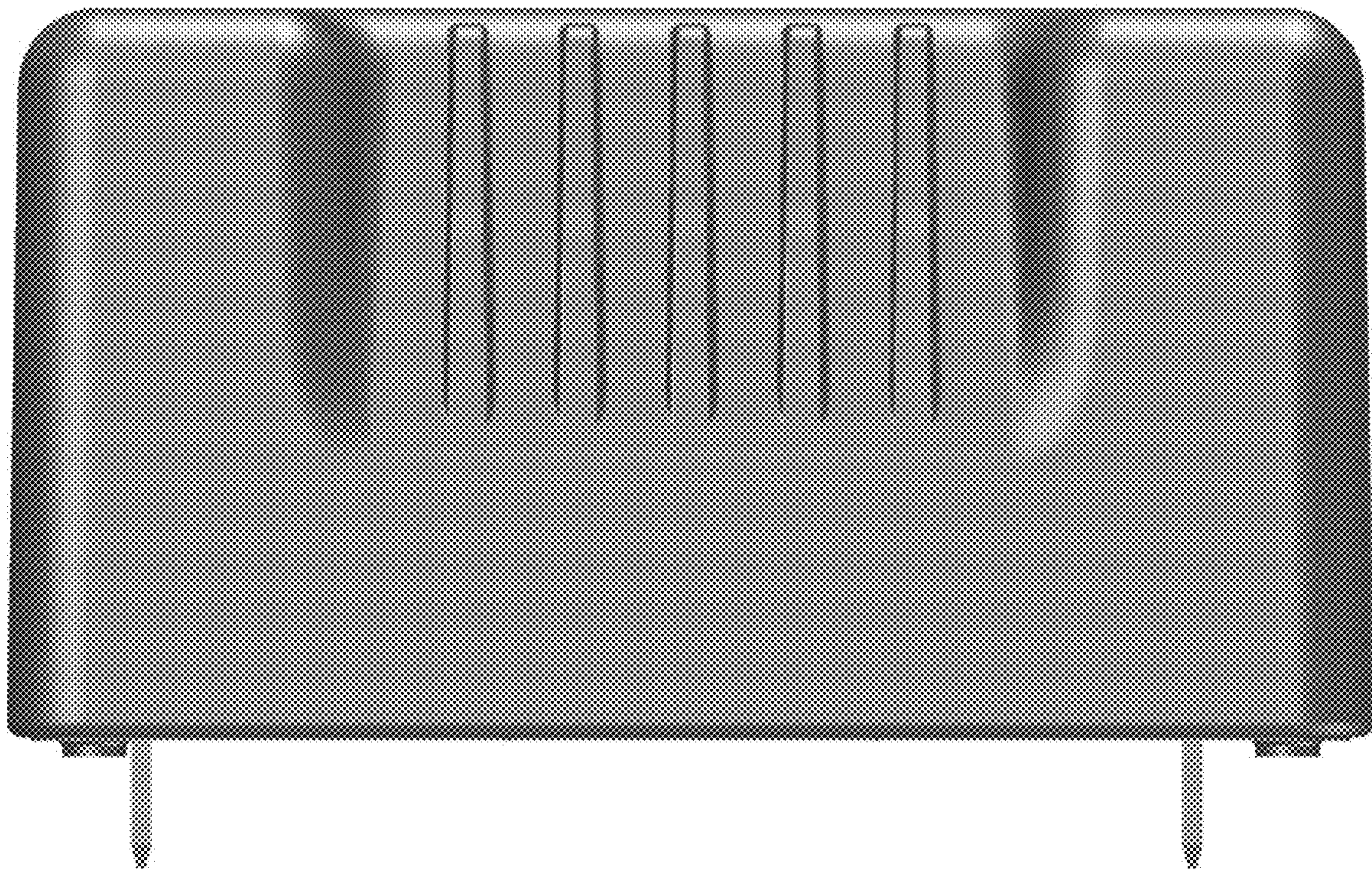
1.1



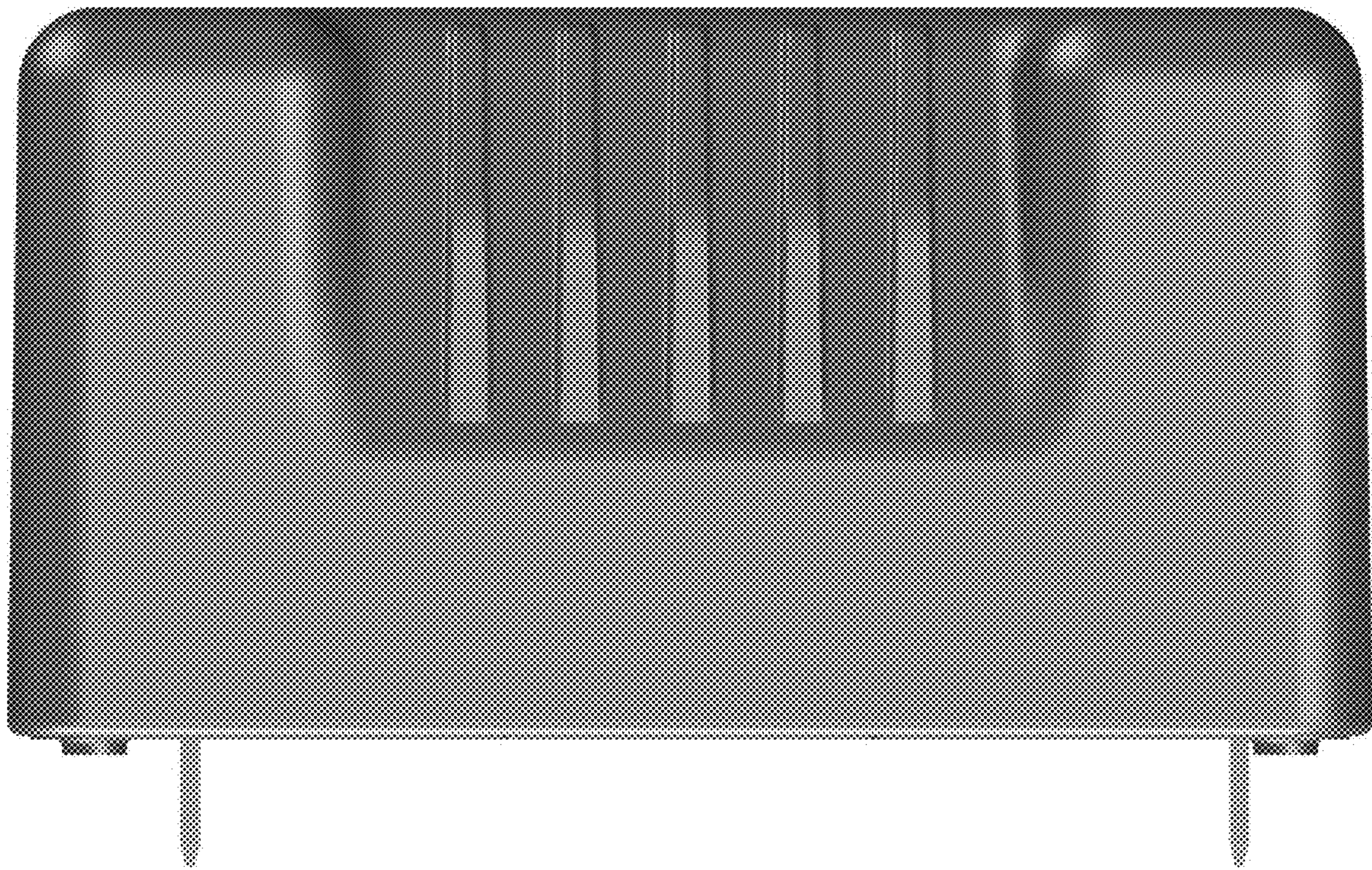
1.2



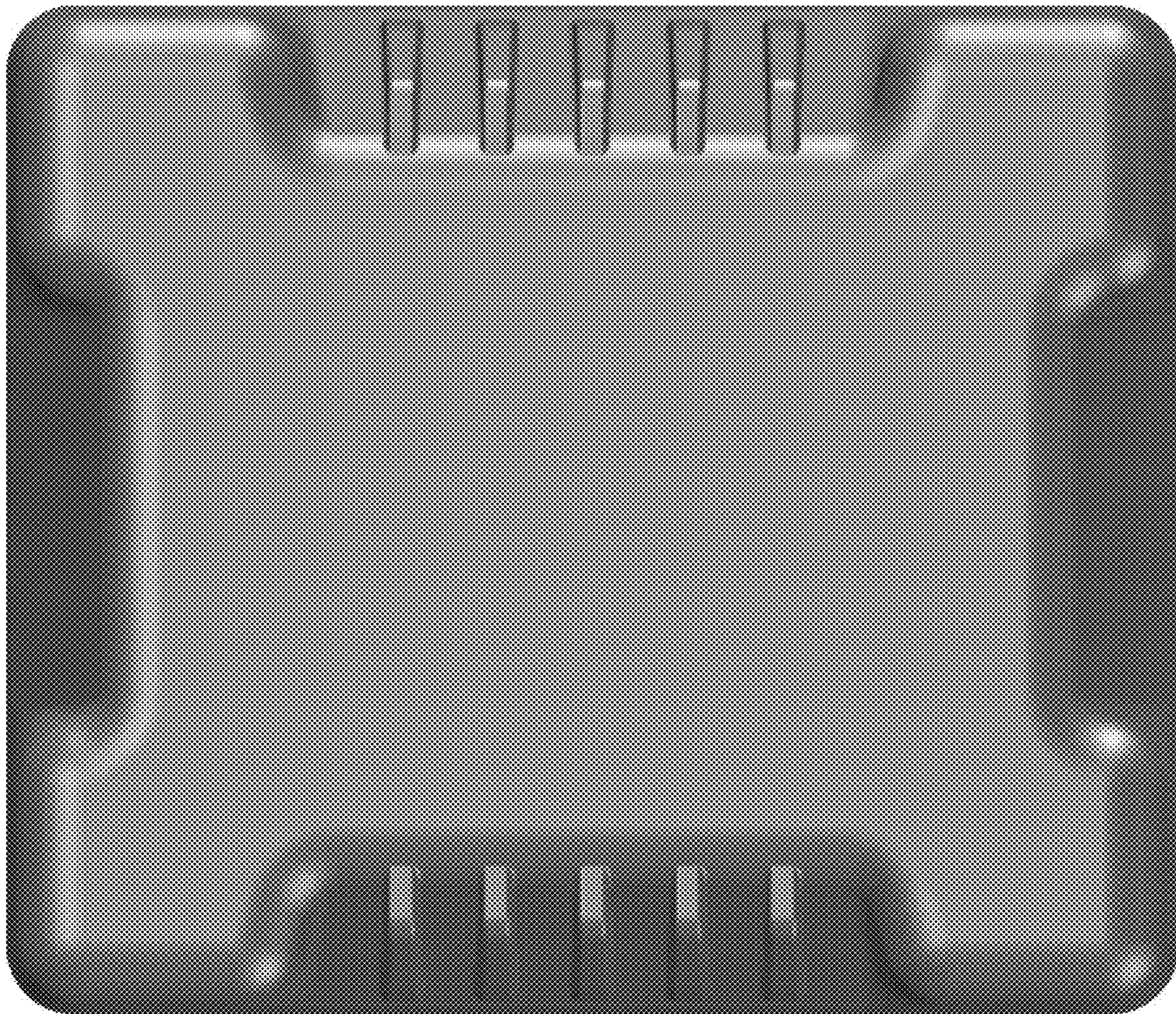
1.3



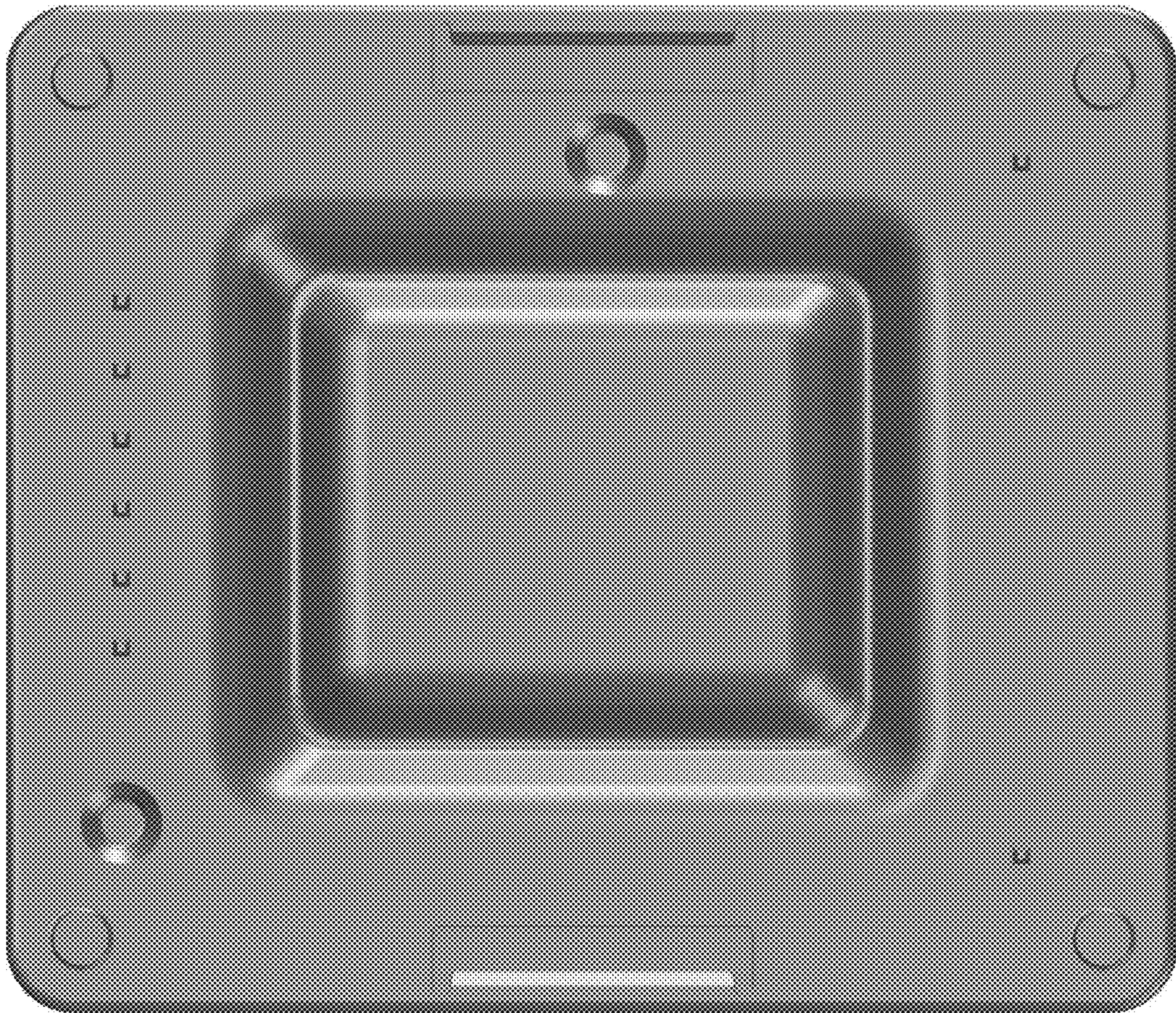
1.4



1.5

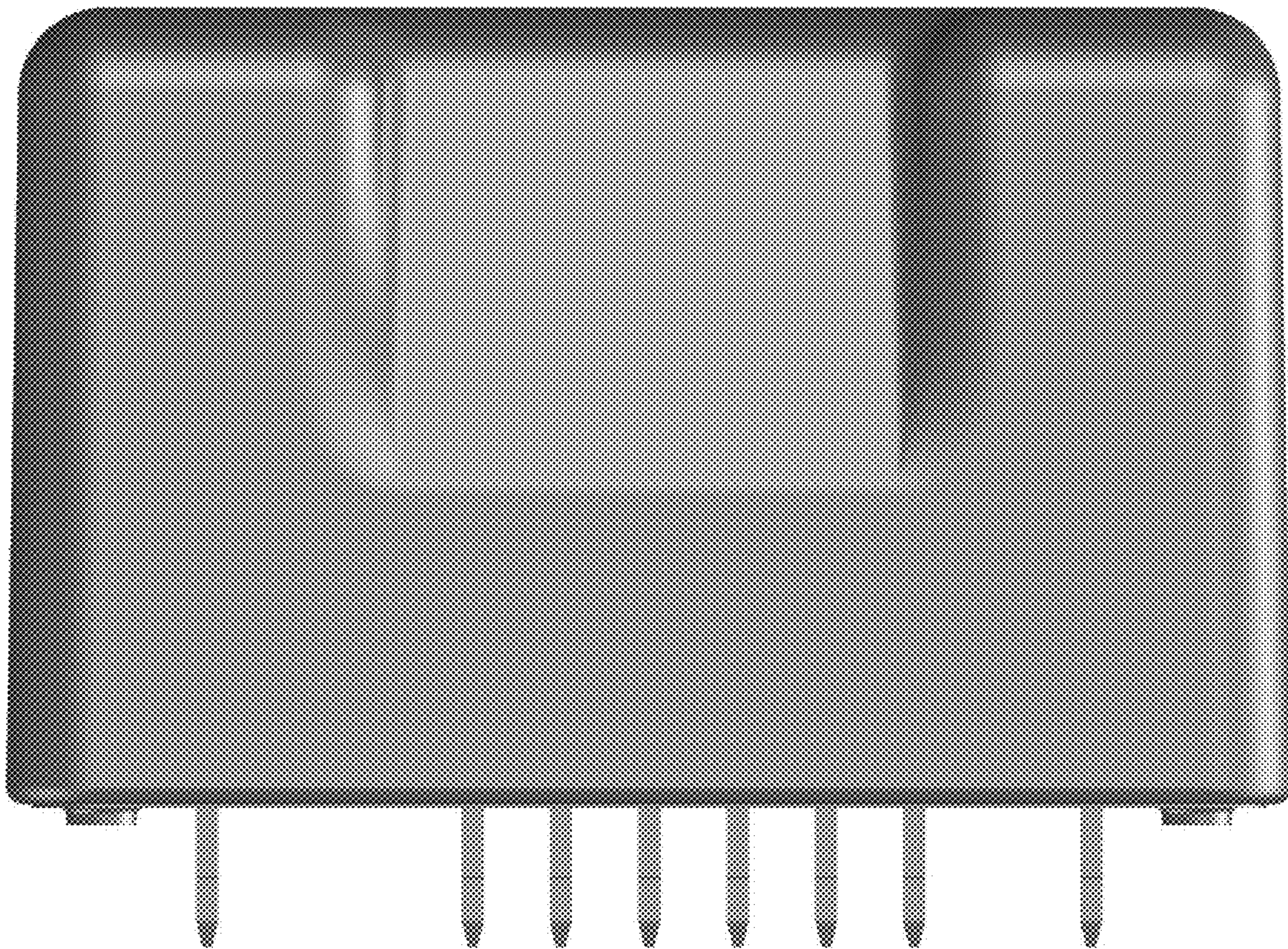


1.6





1.7



1.8

