



US00D847742S

(12) **United States Design Patent** (10) **Patent No.:** **US D847,742 S**
Claeys (45) **Date of Patent:** **** May 7, 2019**

(54) **CURRENT TRANSDUCER**

(71) Applicant: **LEM INTELLECTUAL PROPERTY SA, Fribourg (CH)**

(72) Inventor: **Stéphane Claeys, Chevrier (FR)**

(**) Term: **15 Years**

(21) Appl. No.: **35/504,506**

(22) Filed: **Sep. 1, 2017**

(80) **Hague Agreement Data**
 Int. Filing Date: **Sep. 1, 2017**
 Int. Reg. No.: **DM/097650**
 Int. Reg. Date: **Sep. 1, 2017**
 Int. Reg. Pub. Date: **Mar. 2, 2018**

(51) **LOC (11) Cl.** **13-02**

(52) **U.S. Cl.**
 USPC **D13/110**

(58) **Field of Classification Search**
 USPC D13/110, 182; 307/66, 150, 34;
 340/384.2; 381/401; 29/621.1; 310/326
 CPC A01M 29/18; H04R 9/025; H02J 7/0045;
 H02J 3/14; G01L 19/0084; H05K
 7/20572; H01L 41/0906
 See application file for complete search history.

5,606,305 A * 2/1997 Jan A01M 29/18
 340/384.2

6,222,342 B1 * 4/2001 Eggert H02J 7/0045
 307/66

D610,541 S * 2/2010 Mueller D13/110

D613,686 S * 4/2010 Mueller D13/110

D684,927 S * 6/2013 Sage D13/110

D685,325 S * 7/2013 Hayashi D13/110

D685,734 S * 7/2013 Sage D13/110

D686,156 S * 7/2013 Ye D13/110

D686,989 S * 7/2013 Hayashi D13/110

D688,626 S * 8/2013 Ye D13/110

D742,842 S * 11/2015 Hayashi D13/182

D751,034 S * 3/2016 Ye D13/110

D766,180 S * 9/2016 Morel D13/110

D769,190 S * 10/2016 Sid D13/110

D769,817 S * 10/2016 Sid D13/110

D795,806 S * 8/2017 Delmaere D13/110

D803,154 S * 11/2017 Delmaere D13/110

D812,001 S * 3/2018 Marcoz D13/110

D815,595 S * 4/2018 Claeys D13/110

D828,298 S * 9/2018 Claeys D13/110

D829,654 S * 10/2018 Sid D13/110

D830,300 S * 10/2018 Morel D13/110

(Continued)

Primary Examiner — Rhea Shields

(57) **CLAIM**

The ornamental design for a current transducer, as shown and described.

DESCRIPTION

- 1. Current transducer
- 1.1 : Perspective
- 1.2 : Perspective
- 1.3 : Front
- 1.4 : Back
- 1.5 : Top
- 1.6 : Bottom
- 1.7 : Left
- 1.8 : Right

1 Claim, 8 Drawing Sheets

(56) **References Cited**

U.S. PATENT DOCUMENTS

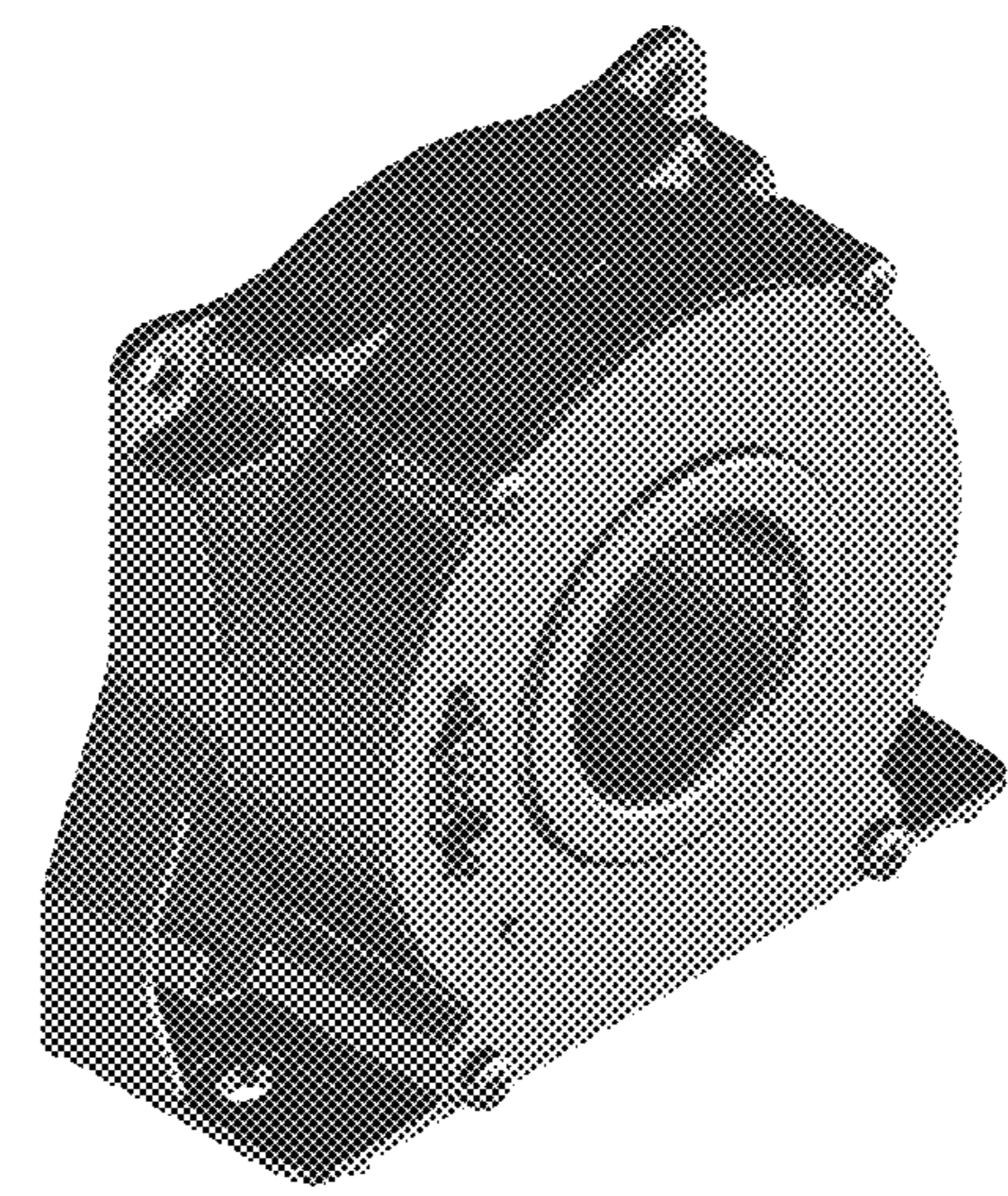
3,979,566 A * 9/1976 Willy H04R 9/025
 381/401

4,125,782 A * 11/1978 Pollnow, Jr. H02J 3/14
 307/34

4,220,887 A * 9/1980 Kompanek H01L 41/0906
 310/326

5,168,171 A * 12/1992 Tracewell H05K 7/20572
 307/150

5,184,107 A * 2/1993 Maurer G01L 19/0084
 29/621.1



(56)

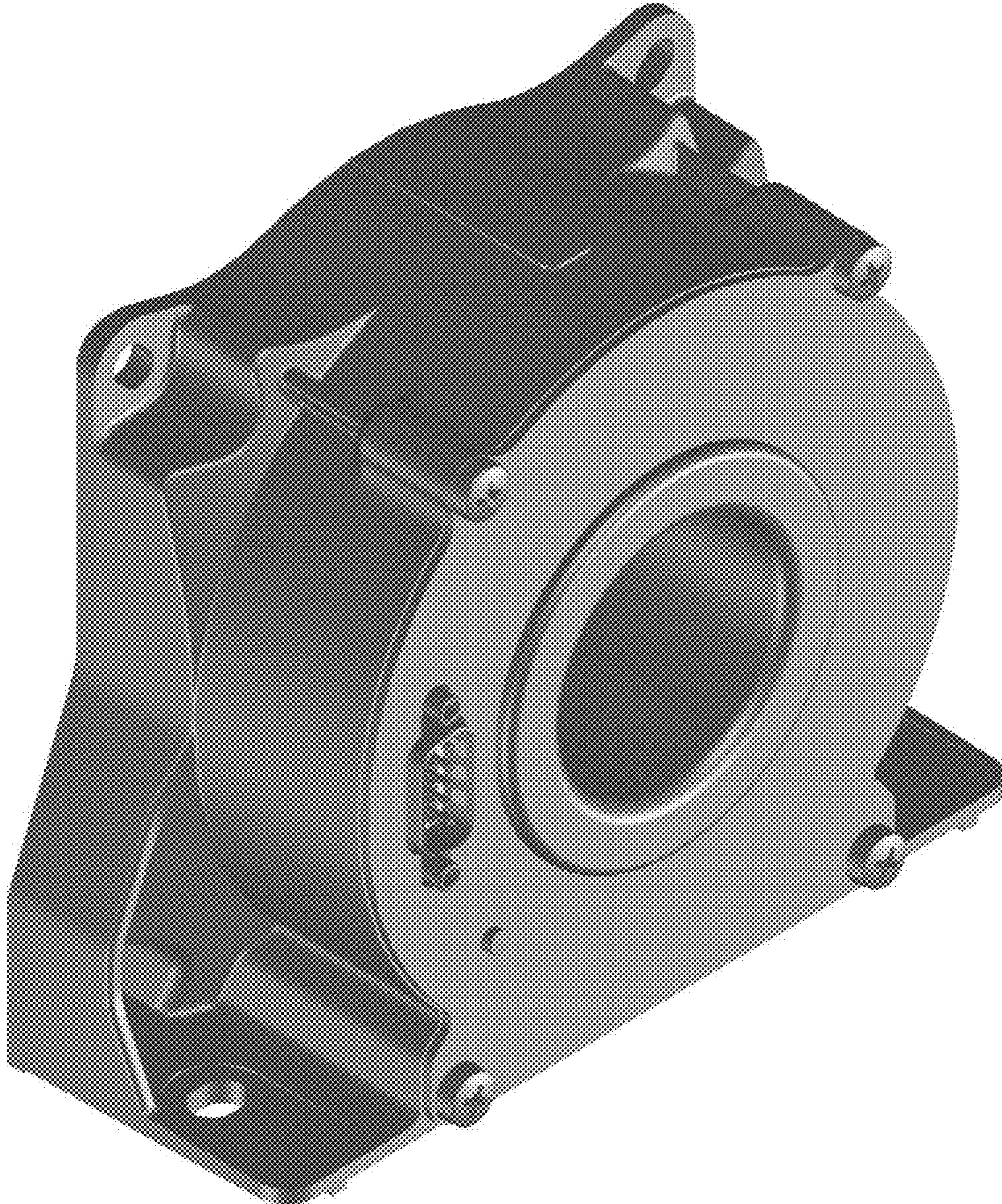
References Cited

U.S. PATENT DOCUMENTS

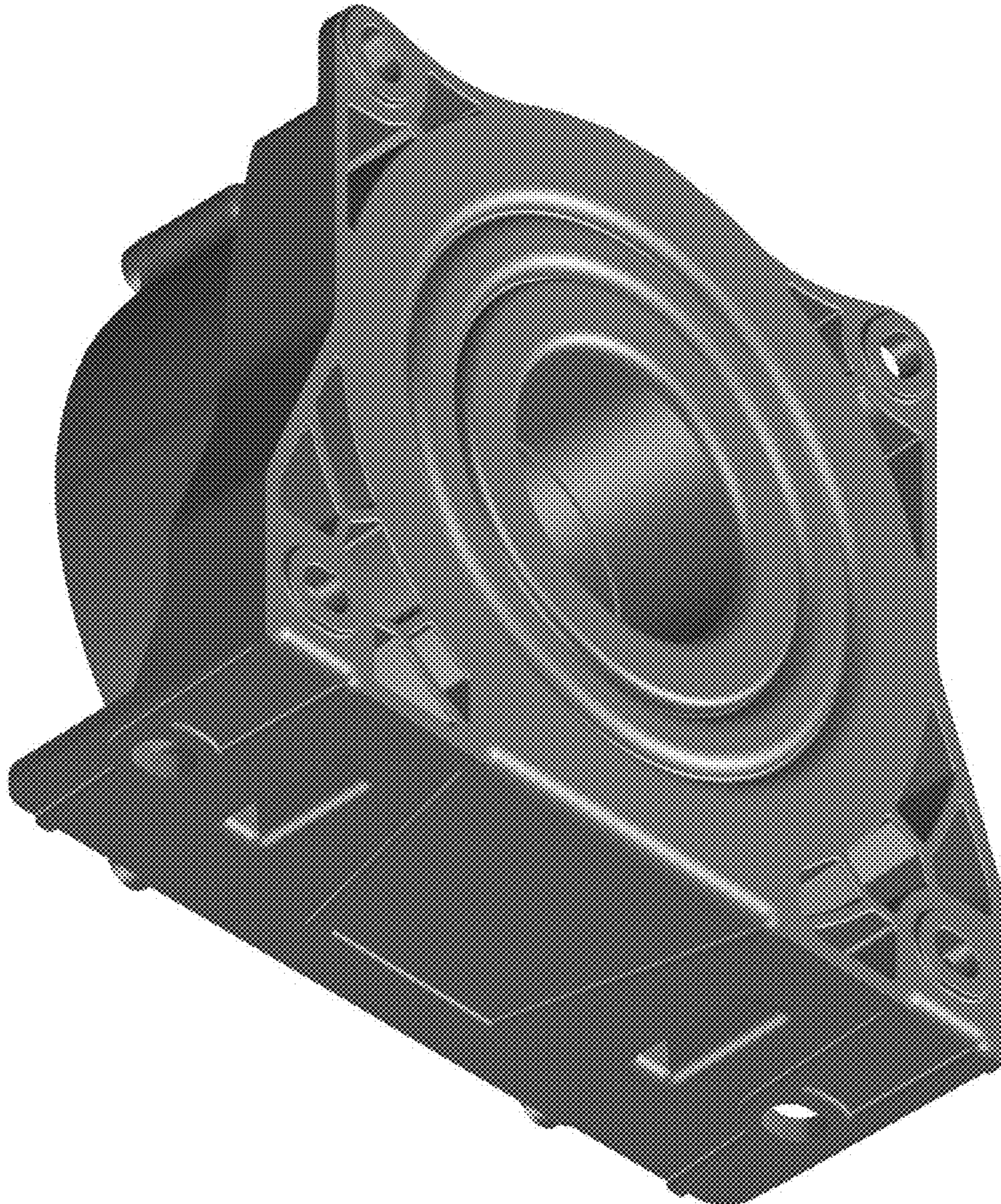
D833,391 S * 11/2018 Claeys D13/110
D835,038 S * 12/2018 Delmaere D13/110

* cited by examiner

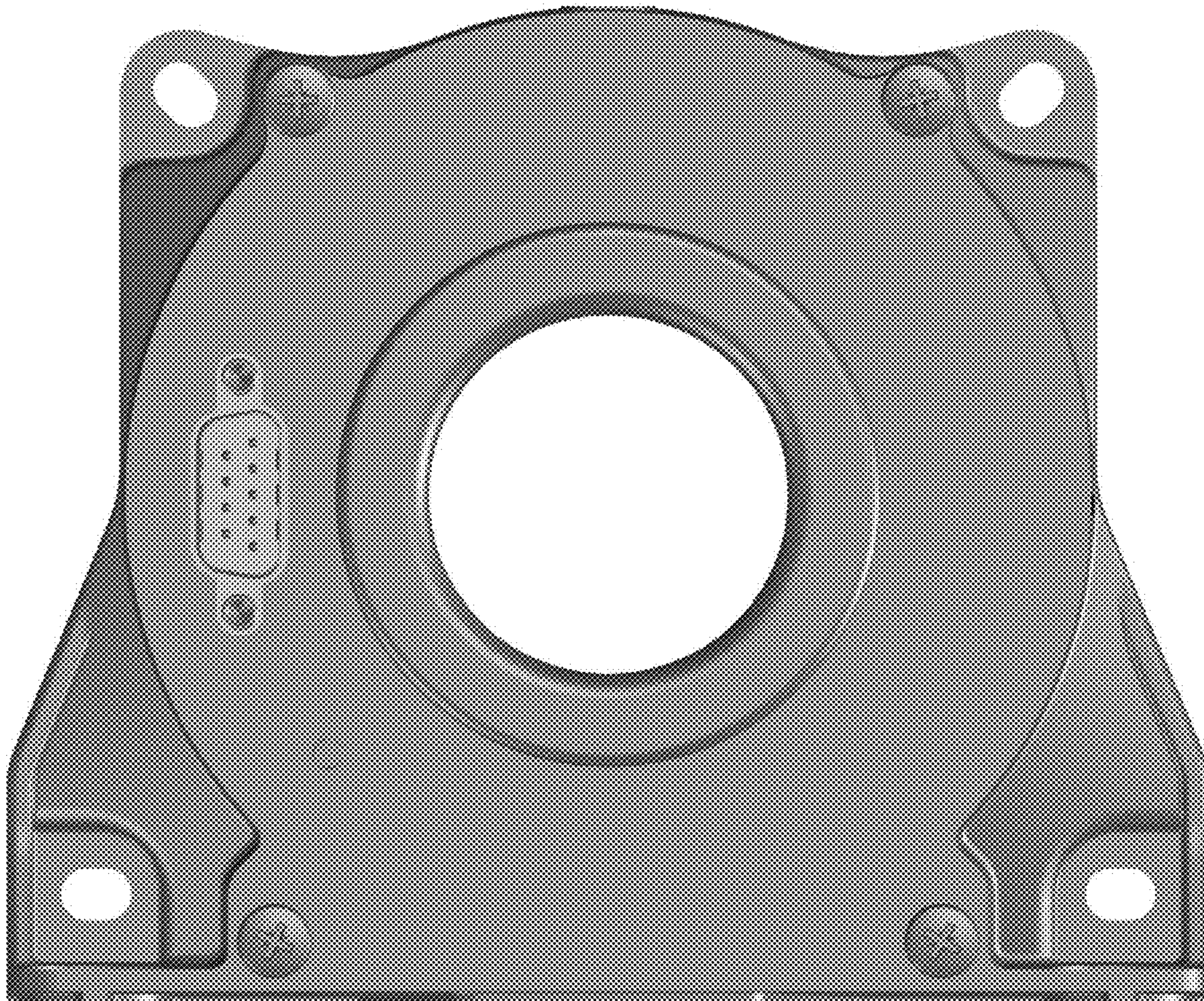
1.1



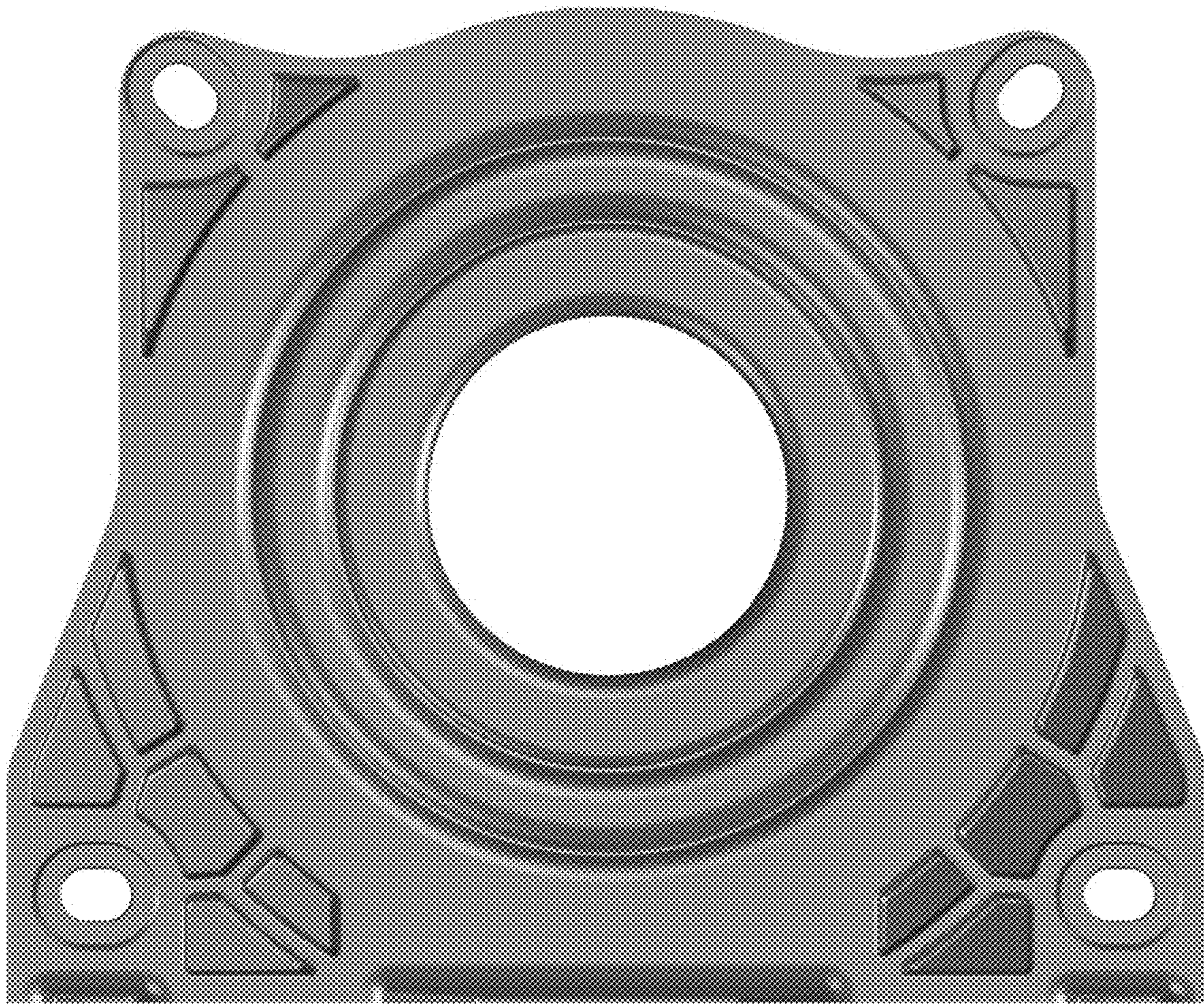
1.2



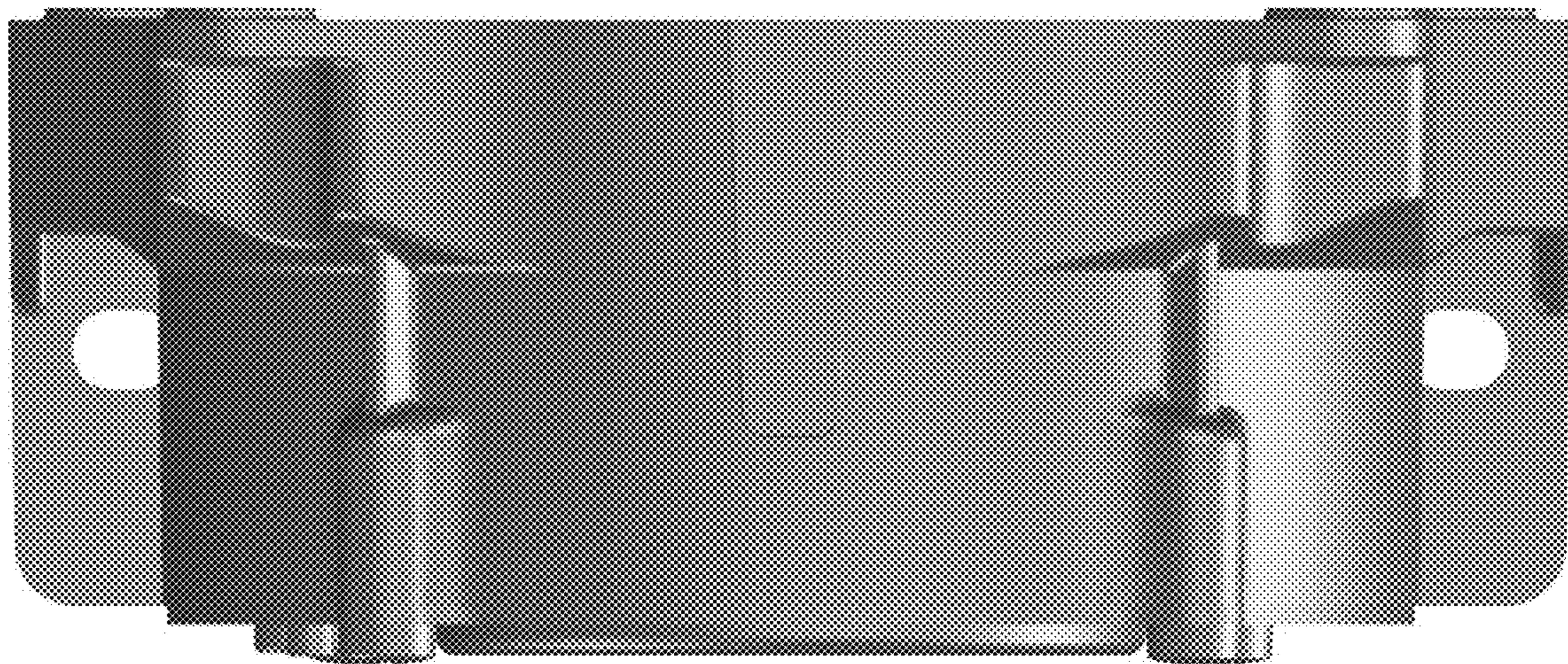
1.3



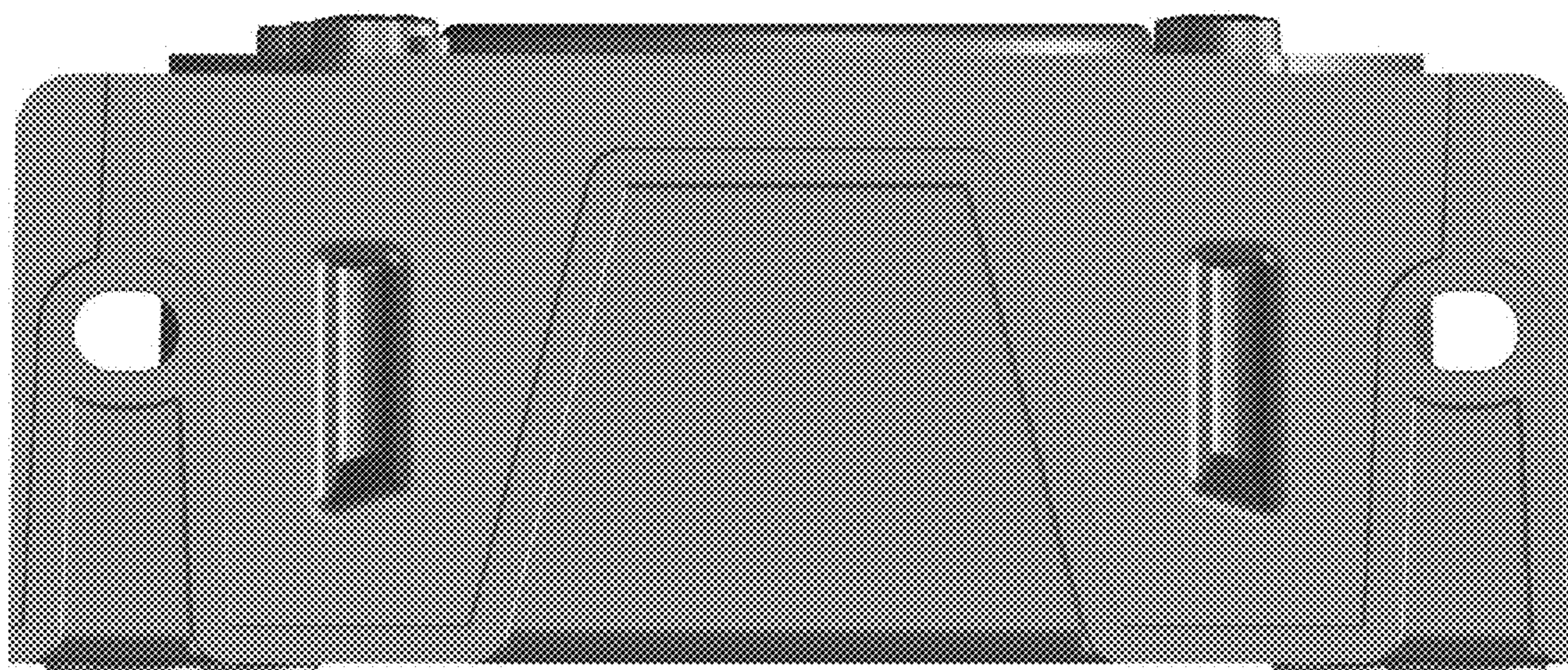
1.4



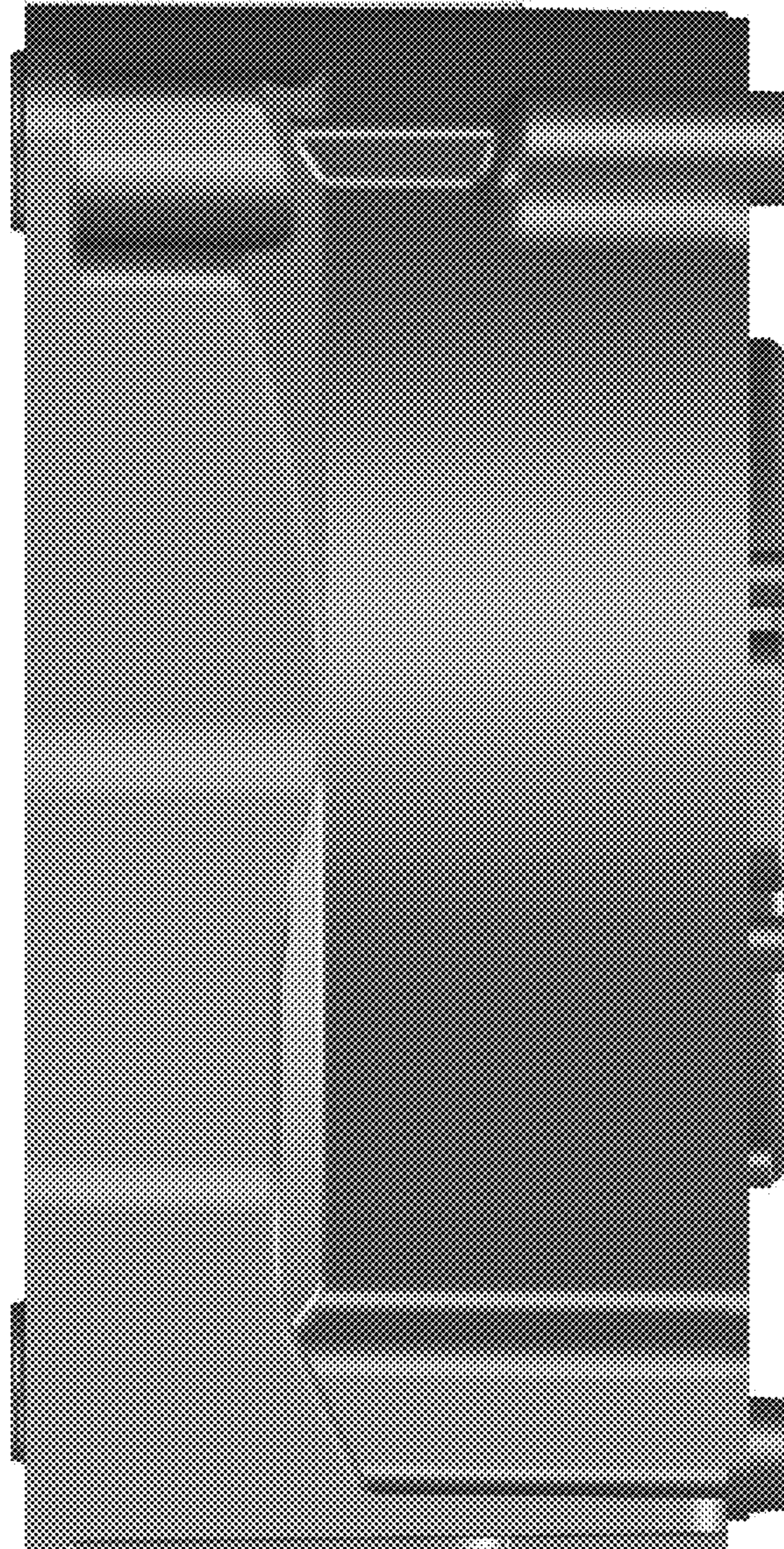
1.5



1.6



1.7



1.8

