



US00D847739S

(12) **United States Design Patent** (10) **Patent No.:** **US D847,739 S**  
**Yun** (45) **Date of Patent:** **\*\* May 7, 2019**

(54) **CHARGING STAND FOR ELECTRONIC DEVICES**

(71) Applicant: **SPIGEN KOREA CO., LTD.**, Seoul (KR)

(72) Inventor: **Sun Woo Yun**, Seoul (KR)

(73) Assignee: **SPIGEN KOREA CO., LTD.**, Seoul (KR)

(\*\*) Term: **15 Years**

(21) Appl. No.: **29/602,124**

(22) Filed: **Apr. 28, 2017**

(51) **LOC (11) Cl.** ..... **13-02**

(52) **U.S. Cl.**  
USPC ..... **D13/108**

(58) **Field of Classification Search**

USPC ..... D13/107-110, 118-119, 184; D14/251, D14/253, 432, 434

CPC ..... Y02E 60/12; Y02T 90/14; Y02T 90/122; Y02T 90/128; Y02T 90/163; H02J 7/025; H02J 7/0042; H02J 7/0044; H02J 7/0045; H02J 7/0003; H01F 38/14; H01R 13/6675; H01M 2/1022; H01M 2/1055; H01M 10/44; H01M 10/46; H01M 10/425; B60L 11/182

See application file for complete search history.

(56) **References Cited**

**U.S. PATENT DOCUMENTS**

D277,662 S	2/1985	Huntington et al.	
D354,041 S	1/1995	Scheid et al.	
D474,737 S	5/2003	Yoshida	
D489,325 S	5/2004	Nakamura	
D495,336 S	8/2004	Andre et al.	
D523,847 S	6/2006	Naruki	
D533,615 S	12/2006	Sisk et al.	
D535,615 S *	1/2007	Iwai	D13/108
D553,106 S	10/2007	Griffin	

(Continued)

*Primary Examiner* — Rosemary K Tarcza

*Assistant Examiner* — Nathaniel D. Buckner

(74) *Attorney, Agent, or Firm* — Heedong Chea; Lucern, PC

(57) **CLAIM**

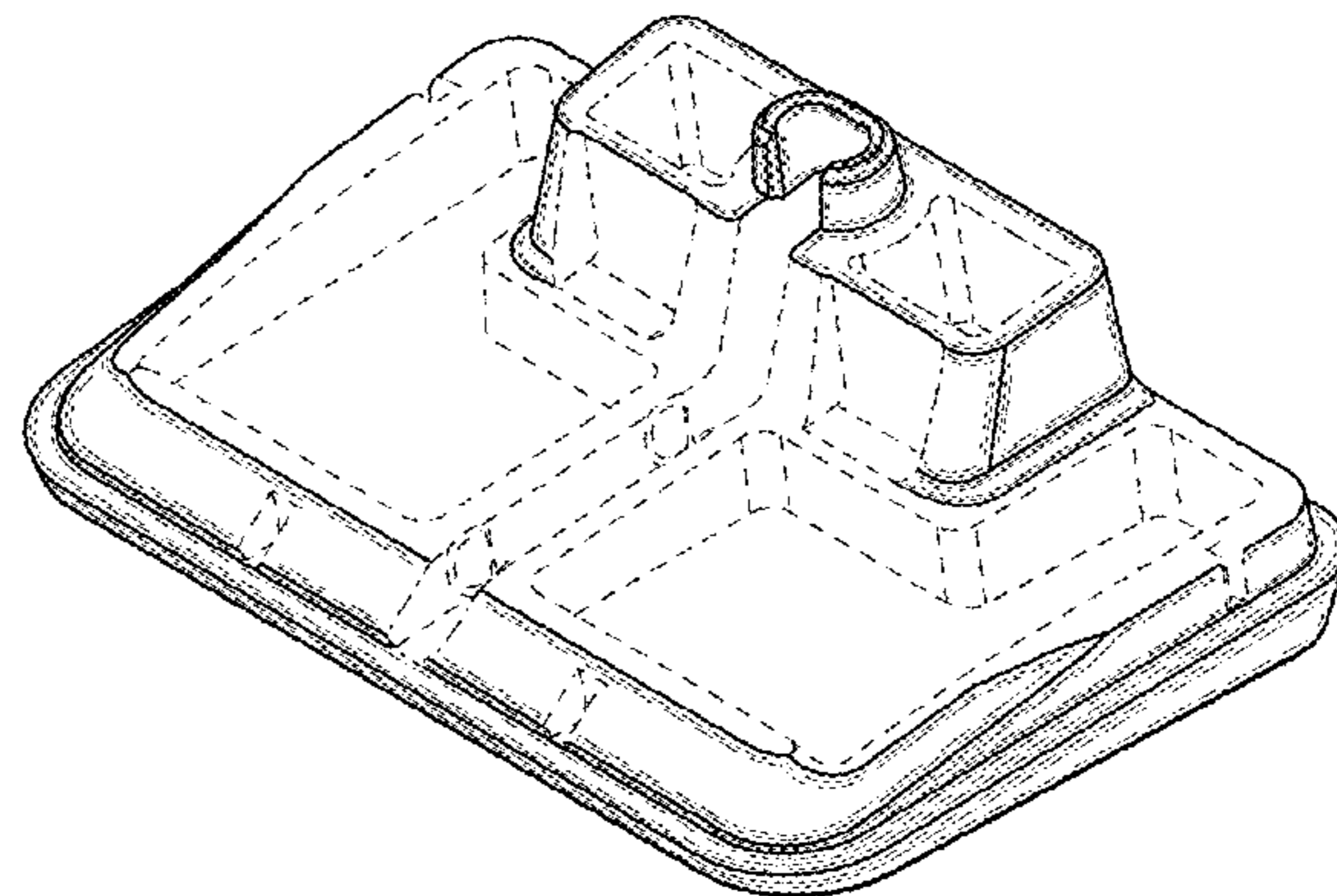
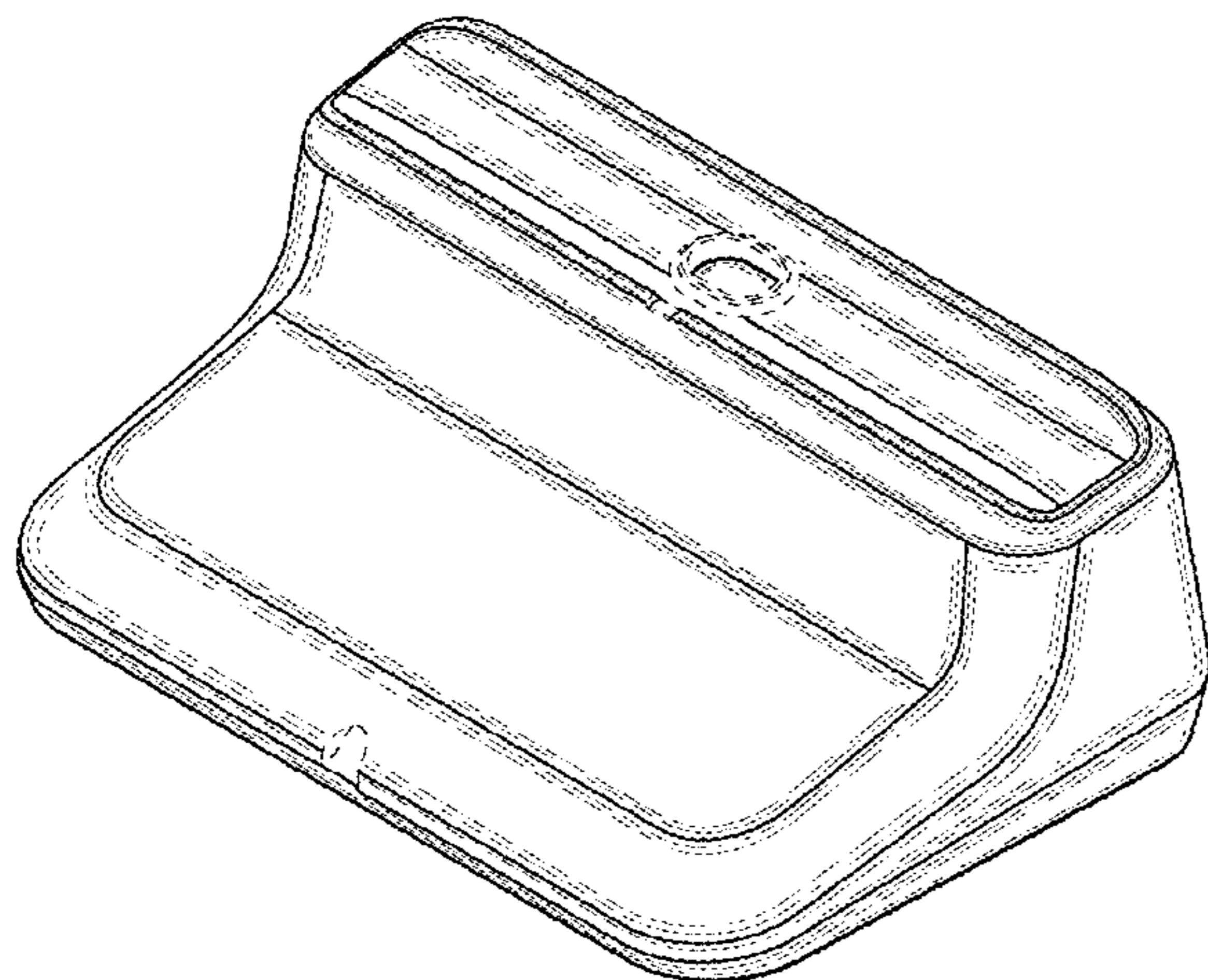
The ornamental design for a charging stand for electronic devices, as shown and described.

**DESCRIPTION**

FIG. 1 is a front perspective view of a charging stand for electronic devices showing my new design; FIG. 2 is a rear perspective view thereof; FIG. 3 is a front elevational view thereof; FIG. 4 is a rear elevational view thereof; FIG. 5 is a left side elevational view thereof; FIG. 6 is a right side elevational view thereof; FIG. 7 is a top plan view thereof; FIG. 8 is a bottom plan view thereof; FIG. 9 is a top front right perspective view the top portion of the charging stand for electronic devices shown separately for ease of illustration; FIG. 10 is a top rear left perspective view thereof; FIG. 11 is a top front right perspective view of the bottom portion of the charging stand for electronic devices shown separately for ease of illustration; FIG. 12 is a top rear left perspective view of thereof; FIG. 13 is a top front right perspective exploded view of the charging stand for electronic devices; FIG. 14 is a top rear left perspective exploded view thereof; and, FIG. 15 is a top front right perspective view of the charging stand for electronic devices, shown in an environment of use.

The regularly spaced broken lines shown in the drawings depict portions of the article that form no part of the claimed design. The dash dot dash broken lines define the bounds of the claimed design and form no part thereof.

**1 Claim, 15 Drawing Sheets**



(56)

**References Cited**

## U.S. PATENT DOCUMENTS

D564,959	S	3/2008	Heine et al.	
D575,786	S *	8/2008	Solomon .....	D14/434
D607,879	S *	1/2010	Ferber .....	D13/108
D610,985	S *	3/2010	Fahrendorff .....	D13/108
D624,919	S	10/2010	Bull	
D638,831	S	5/2011	Paradise	
D657,741	S	4/2012	Fahrendorff et al.	
D662,089	S	6/2012	Gougherty et al.	
D662,470	S *	6/2012	Smith .....	D13/108
D664,958	S *	8/2012	McManigal .....	D14/434
D674,392	S	1/2013	Cheng et al.	
D675,155	S	1/2013	Smith et al.	
D677,220	S *	3/2013	Ploss .....	D13/108
D686,595	S	7/2013	Andre et al.	
D698,310	S *	1/2014	Yun .....	D13/108
D702,665	S *	4/2014	Kim .....	D14/217
D705,158	S	5/2014	Gengler	
D730,888	S	6/2015	Malsan	
D760,721	S *	7/2016	Akana .....	D14/434
D765,623	S	9/2016	Yang et al.	
D779,493	S	2/2017	Eliyahu	
D782,411	S	3/2017	Mischke et al.	
D782,412	S *	3/2017	Kim .....	D13/108
D791,699	S	7/2017	Watanabe	
D795,876	S	8/2017	Fletcher et al.	
D797,669	S	9/2017	Chang	
D798,867	S	10/2017	Carnevali	
D800,060	S	10/2017	Solland et al.	
2013/0217448	A1 *	8/2013	Kim .....	H04M 1/0254 455/575.1
2015/0036283	A1 *	2/2015	Suckle .....	G06F 1/1632 361/679.43
2016/0204635	A1 *	7/2016	Suzuki .....	H02J 7/0044 361/679.3

\* cited by examiner

FIG. 1

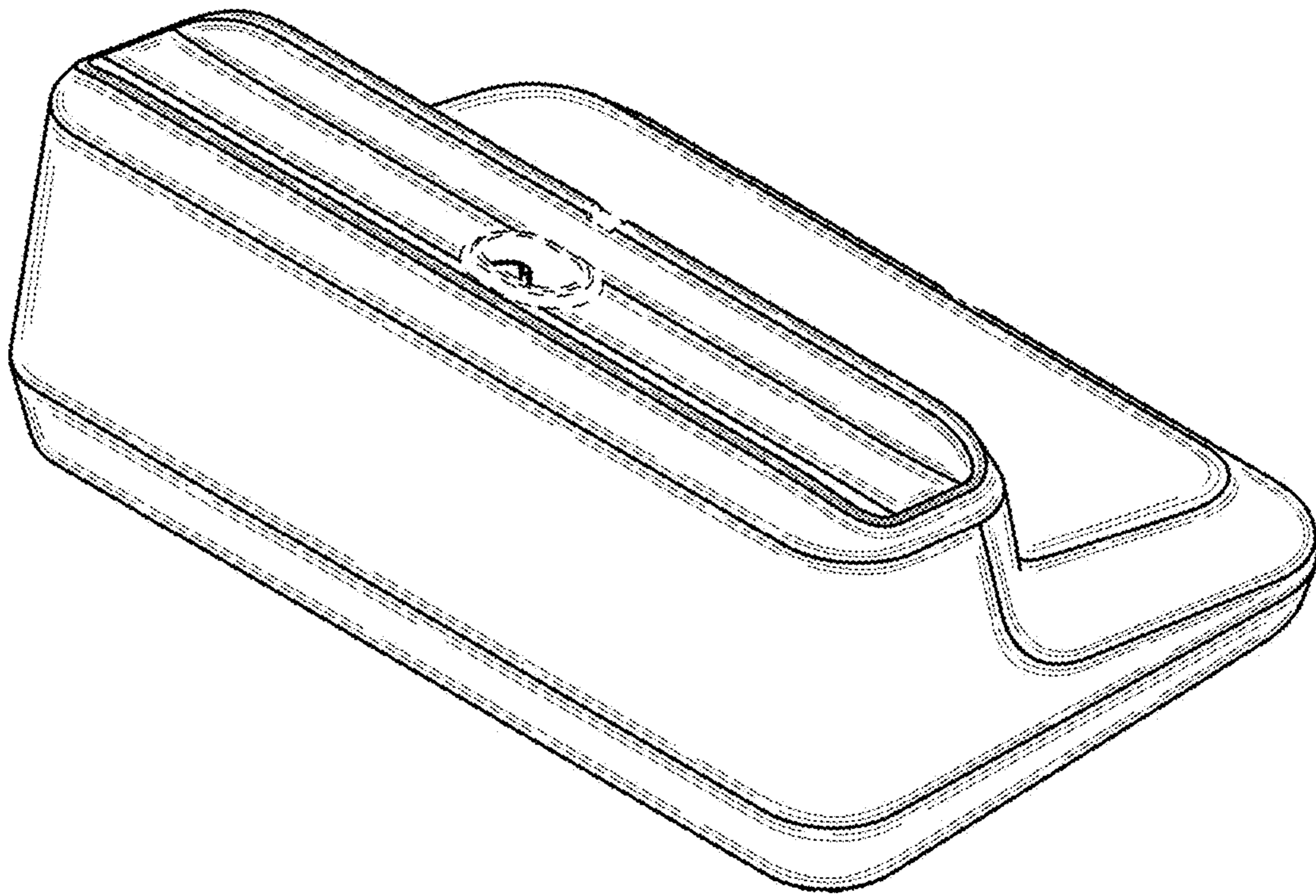




FIG. 2

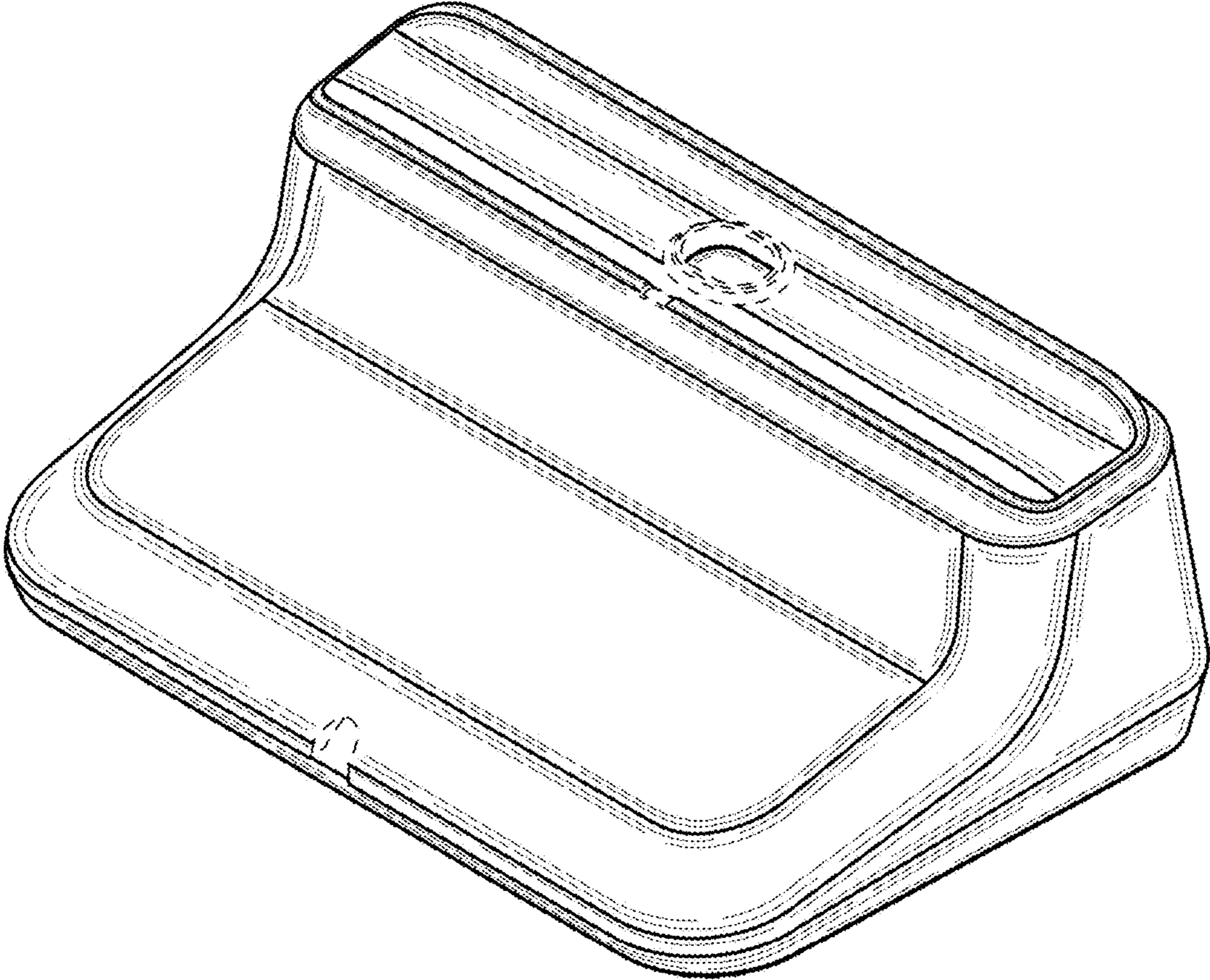


FIG. 3

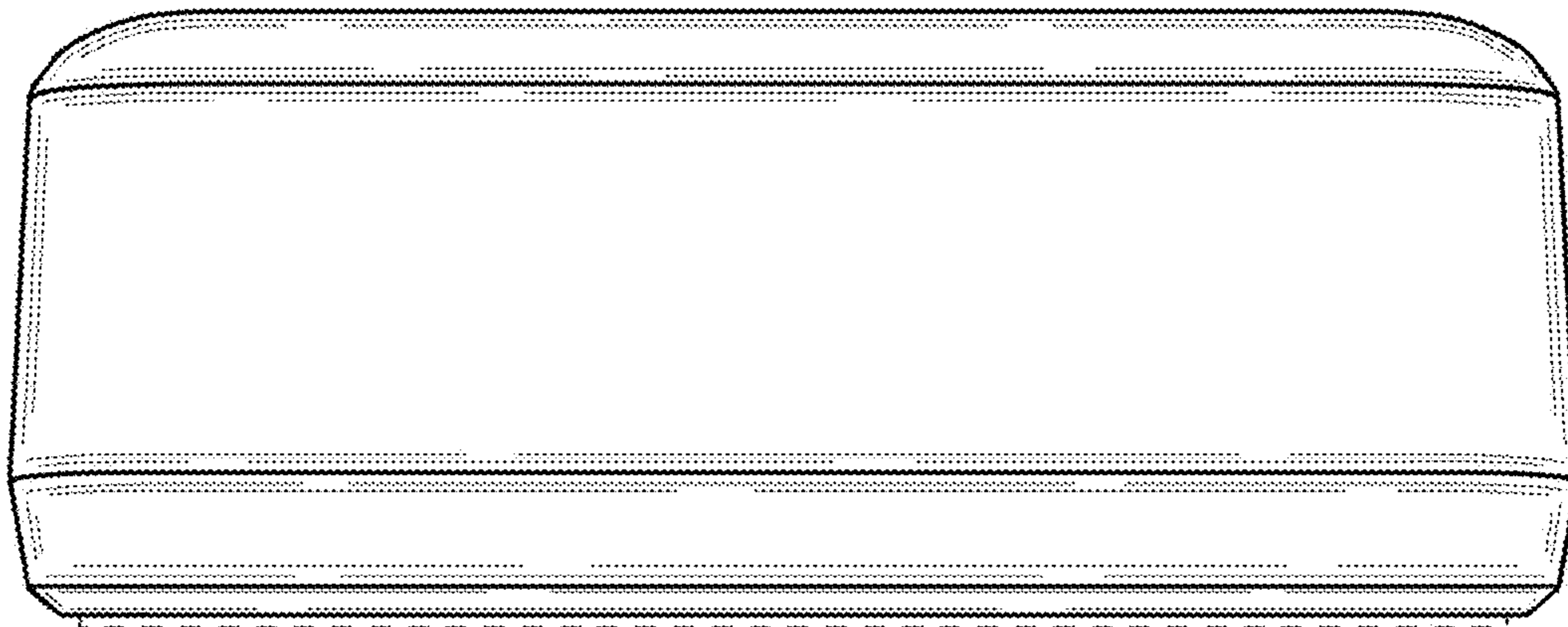


FIG. 4

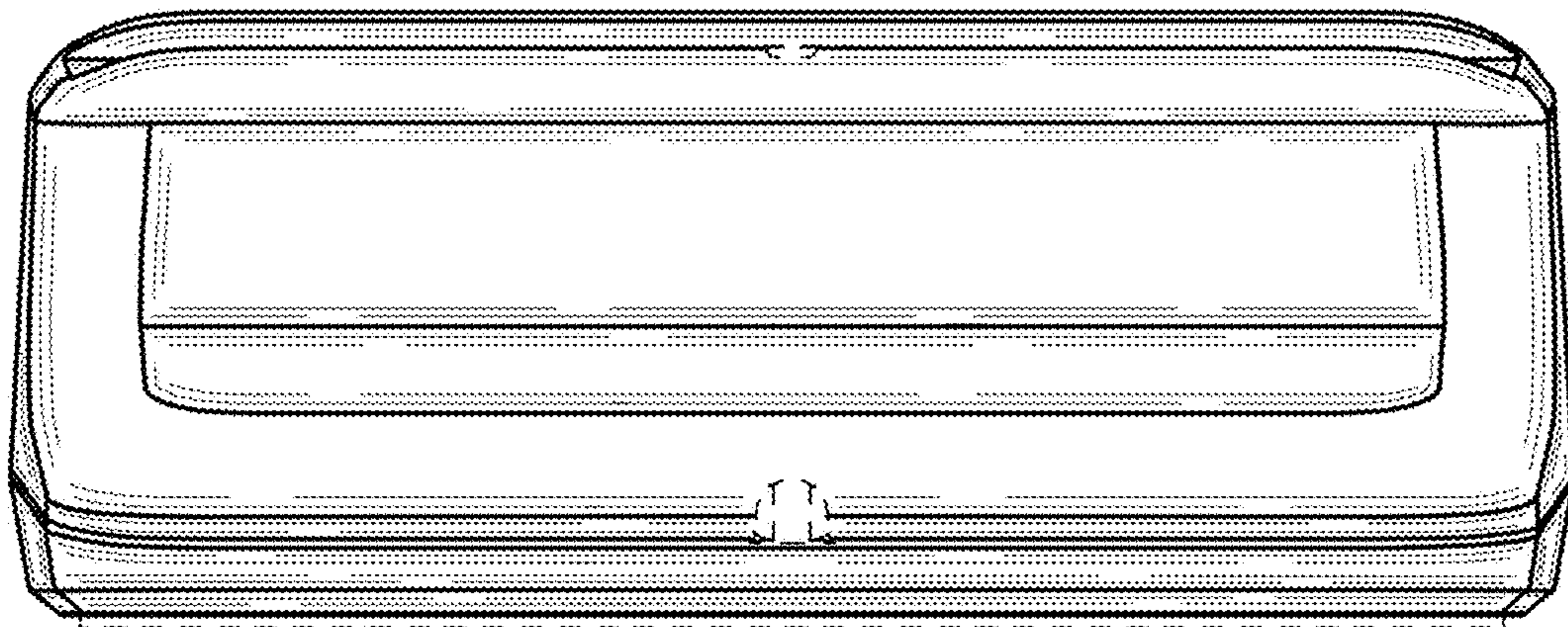


FIG. 5

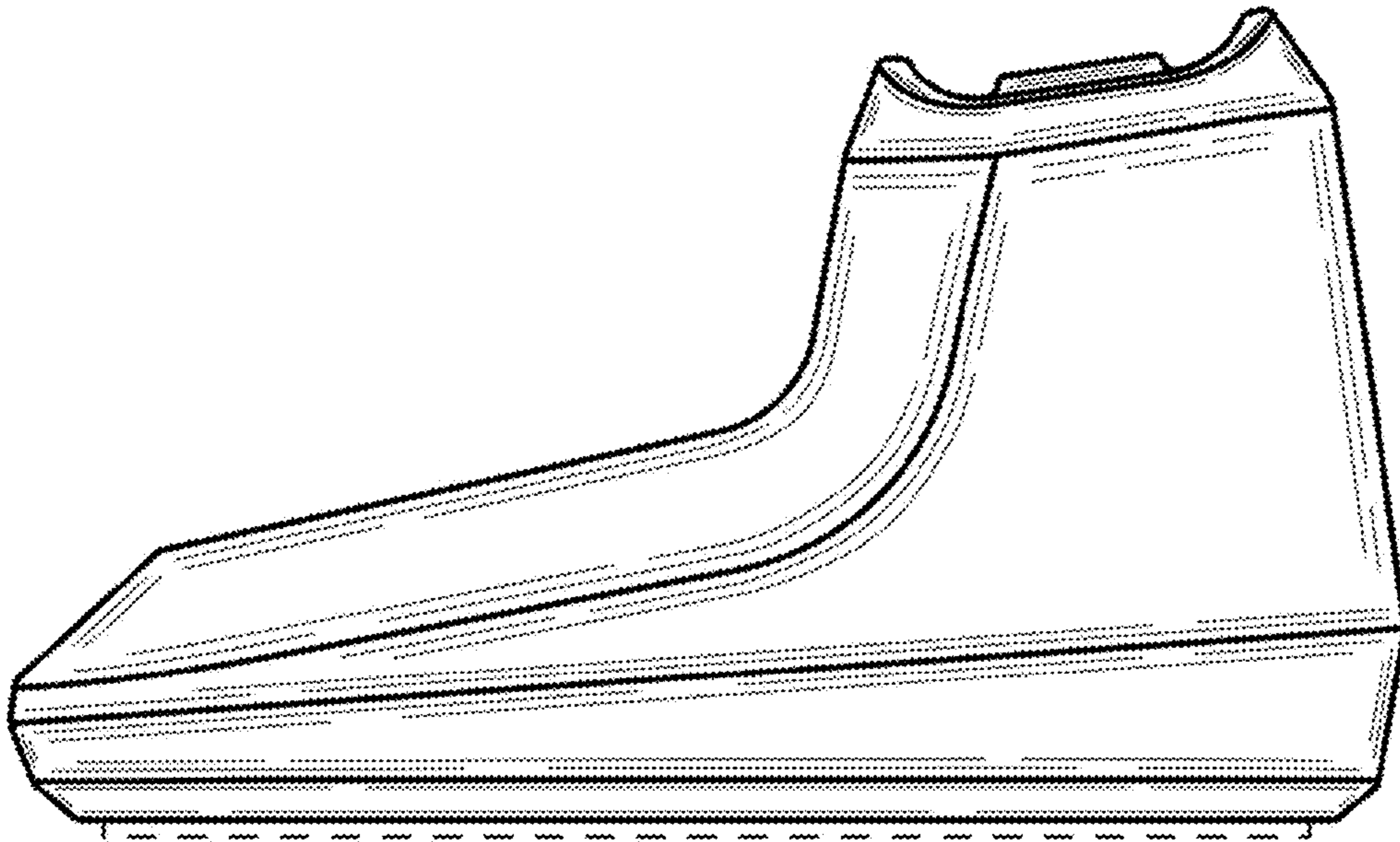


FIG. 6

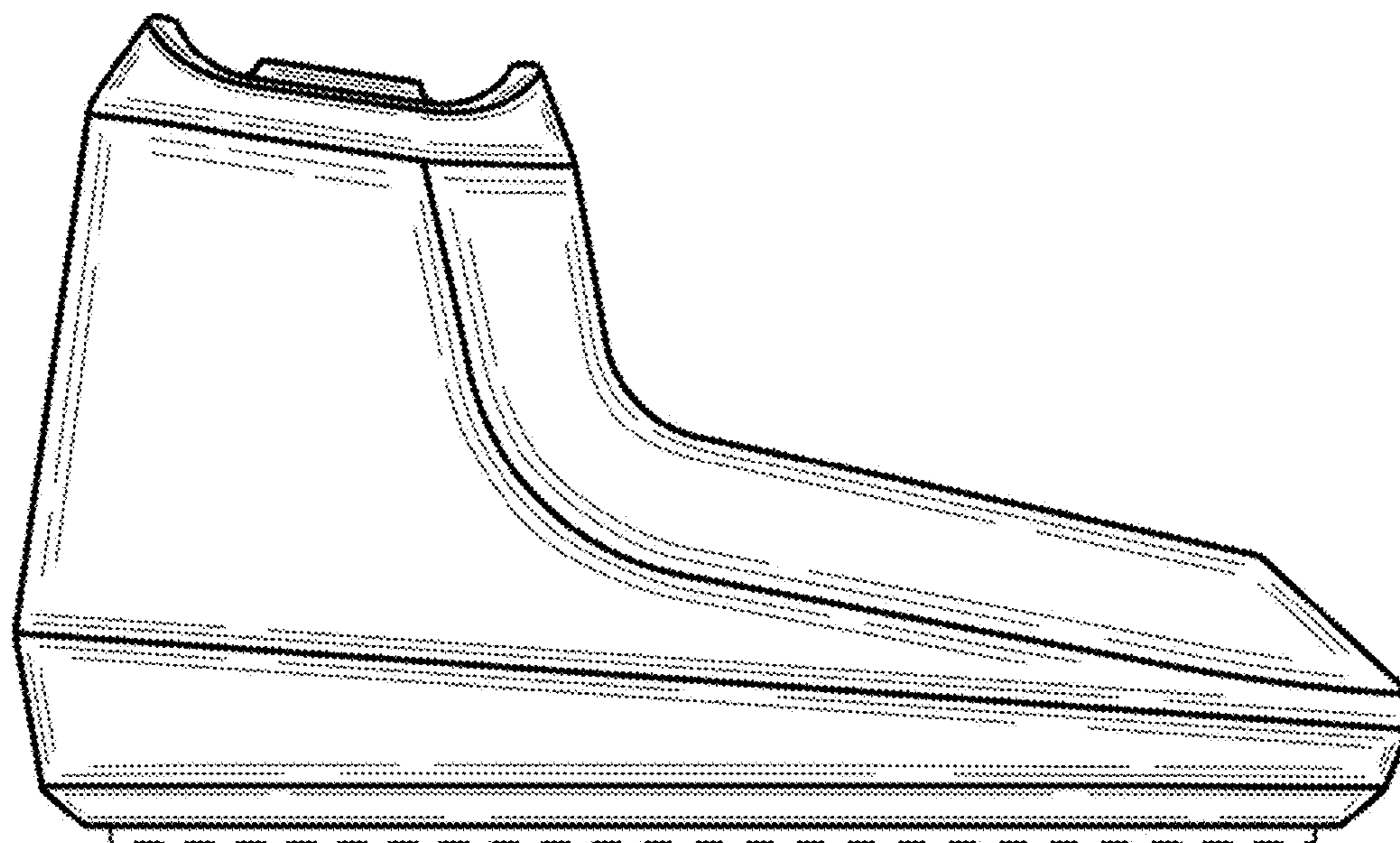




FIG. 7

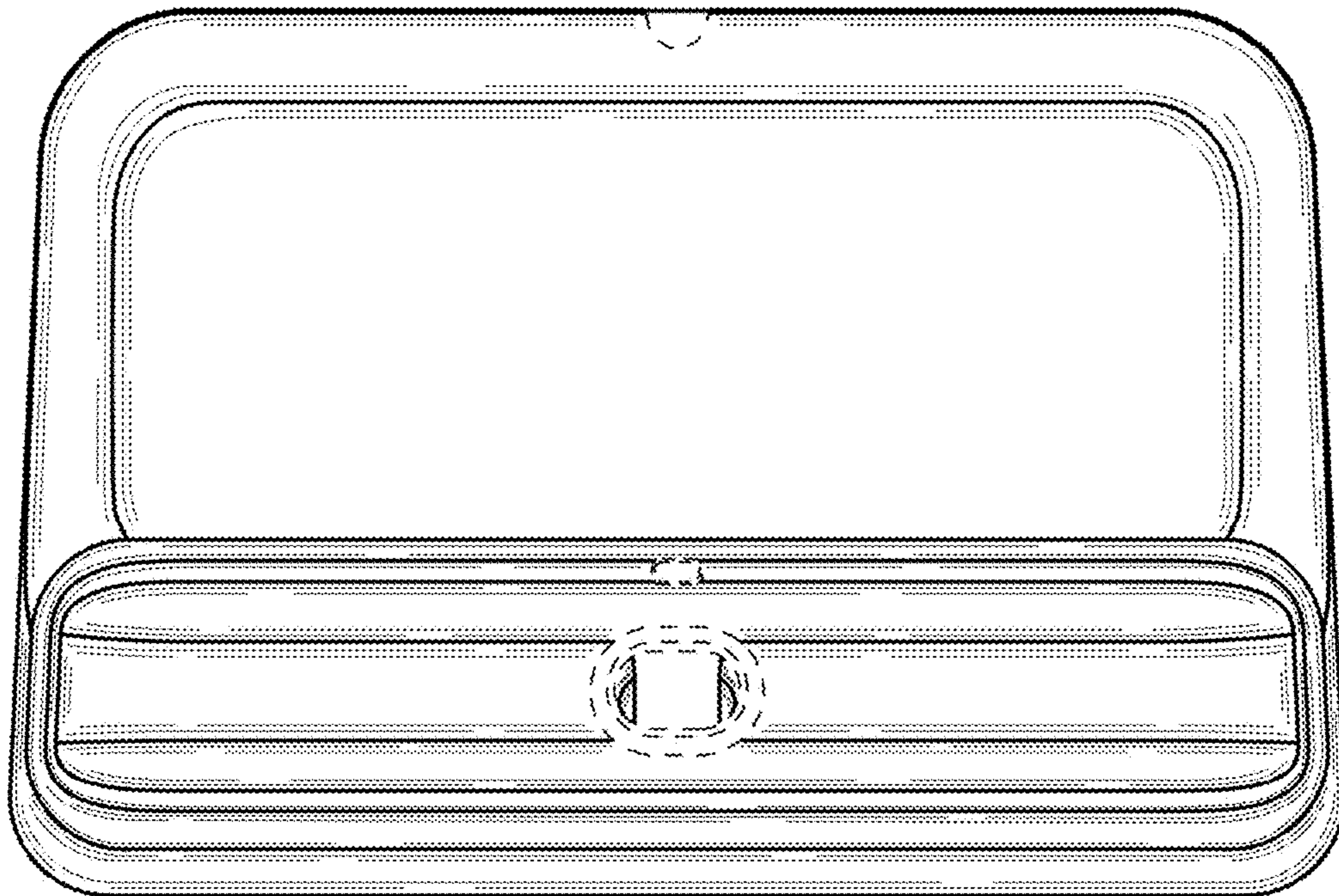


FIG. 8

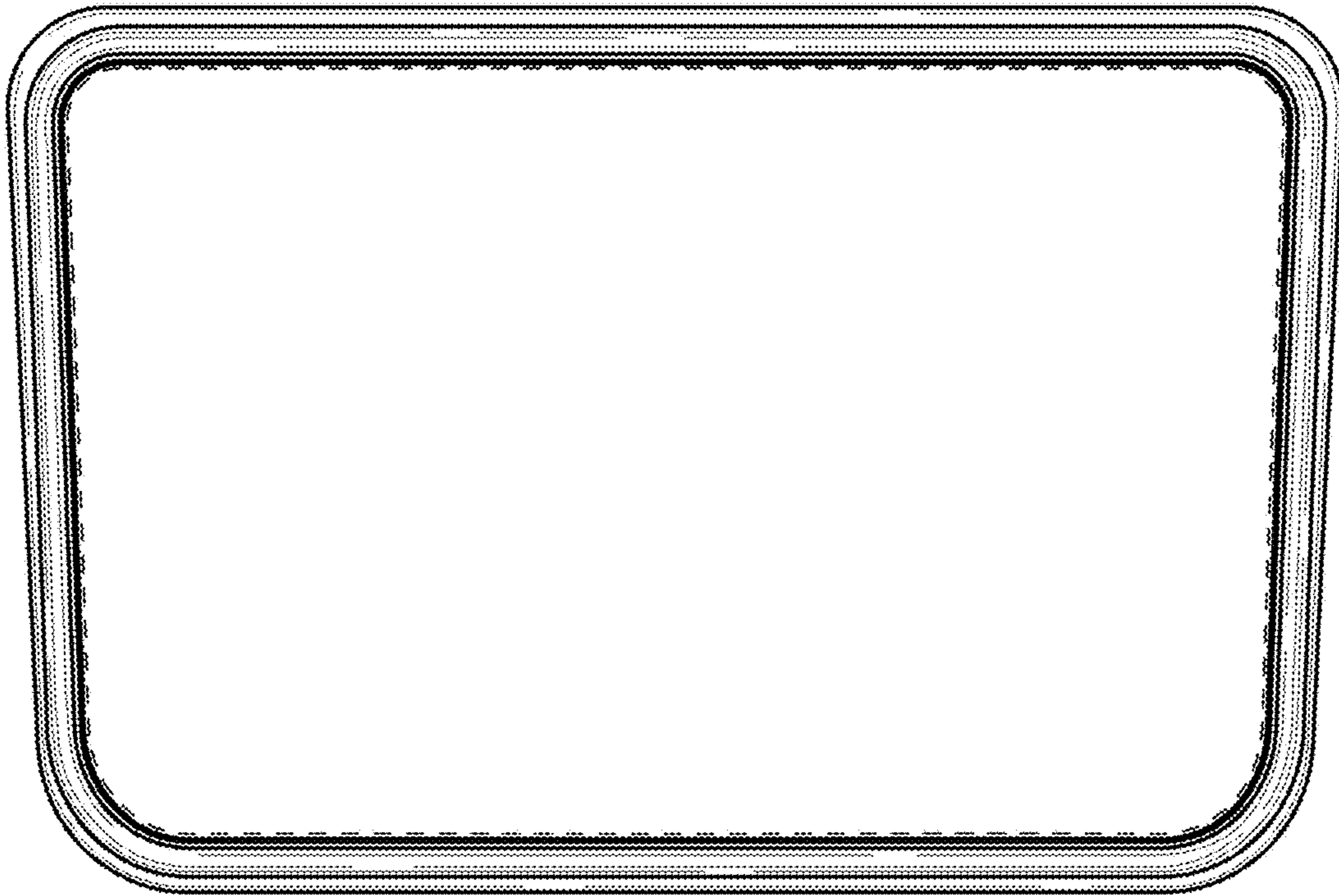


FIG. 9

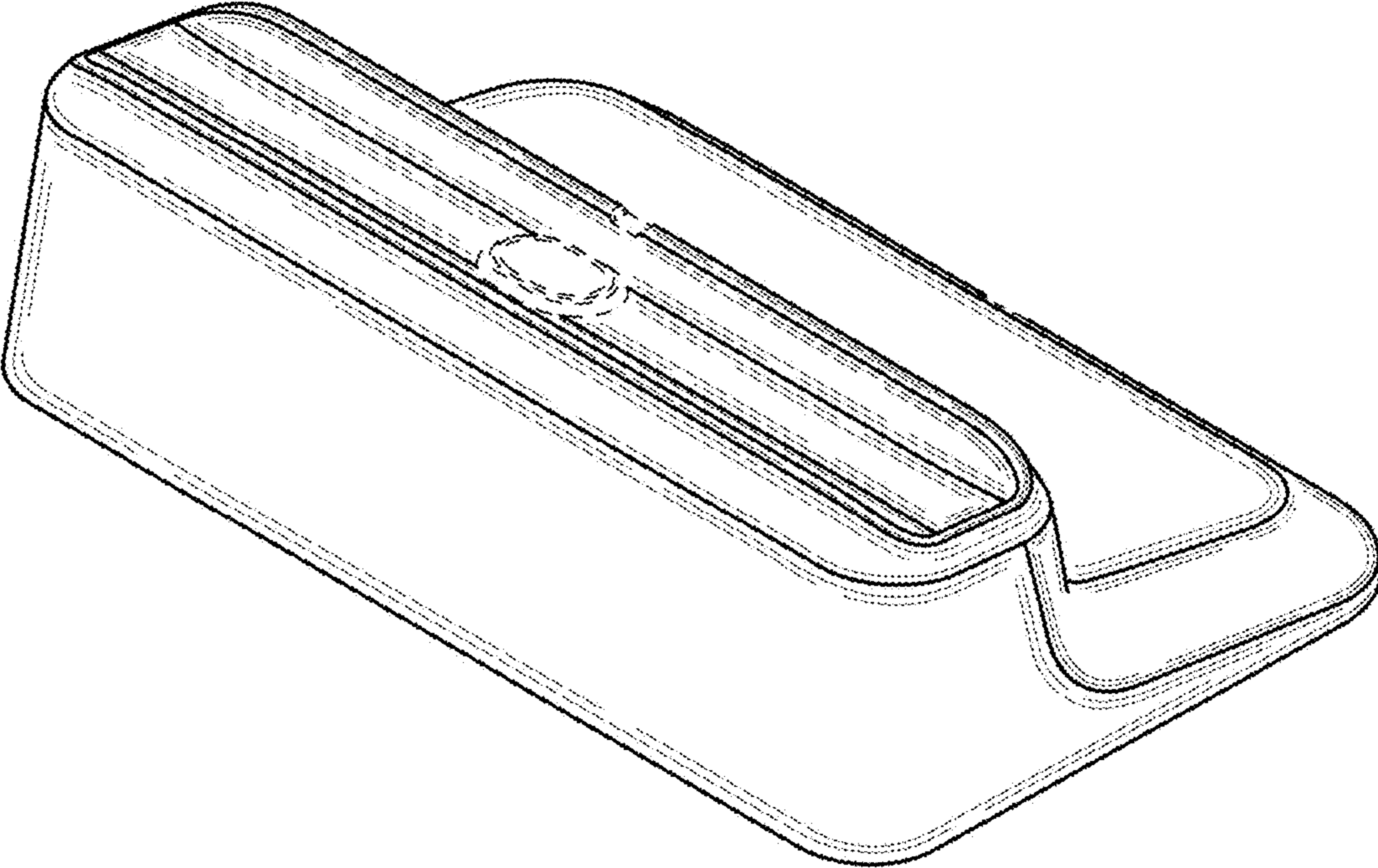


FIG. 10

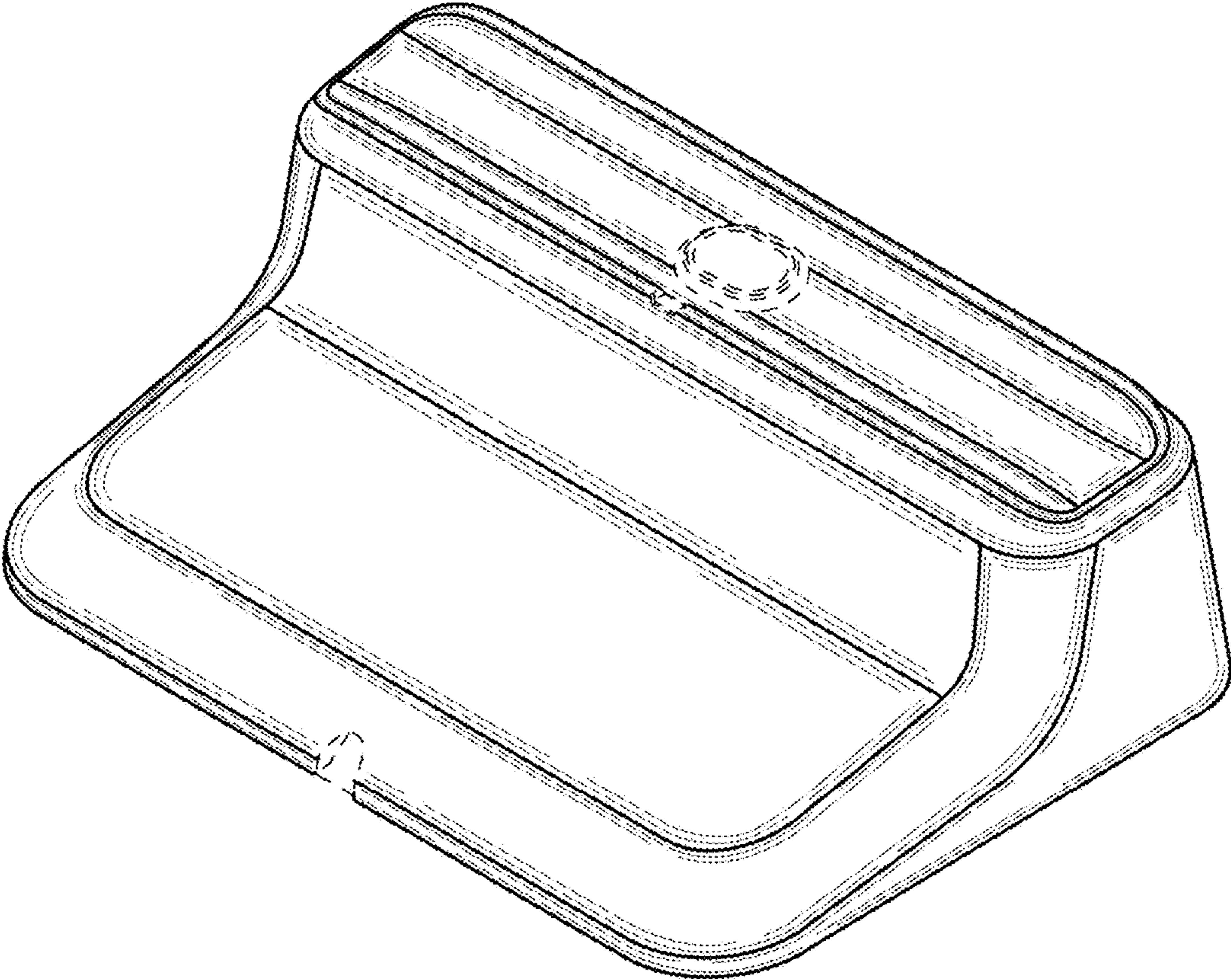




FIG. 11

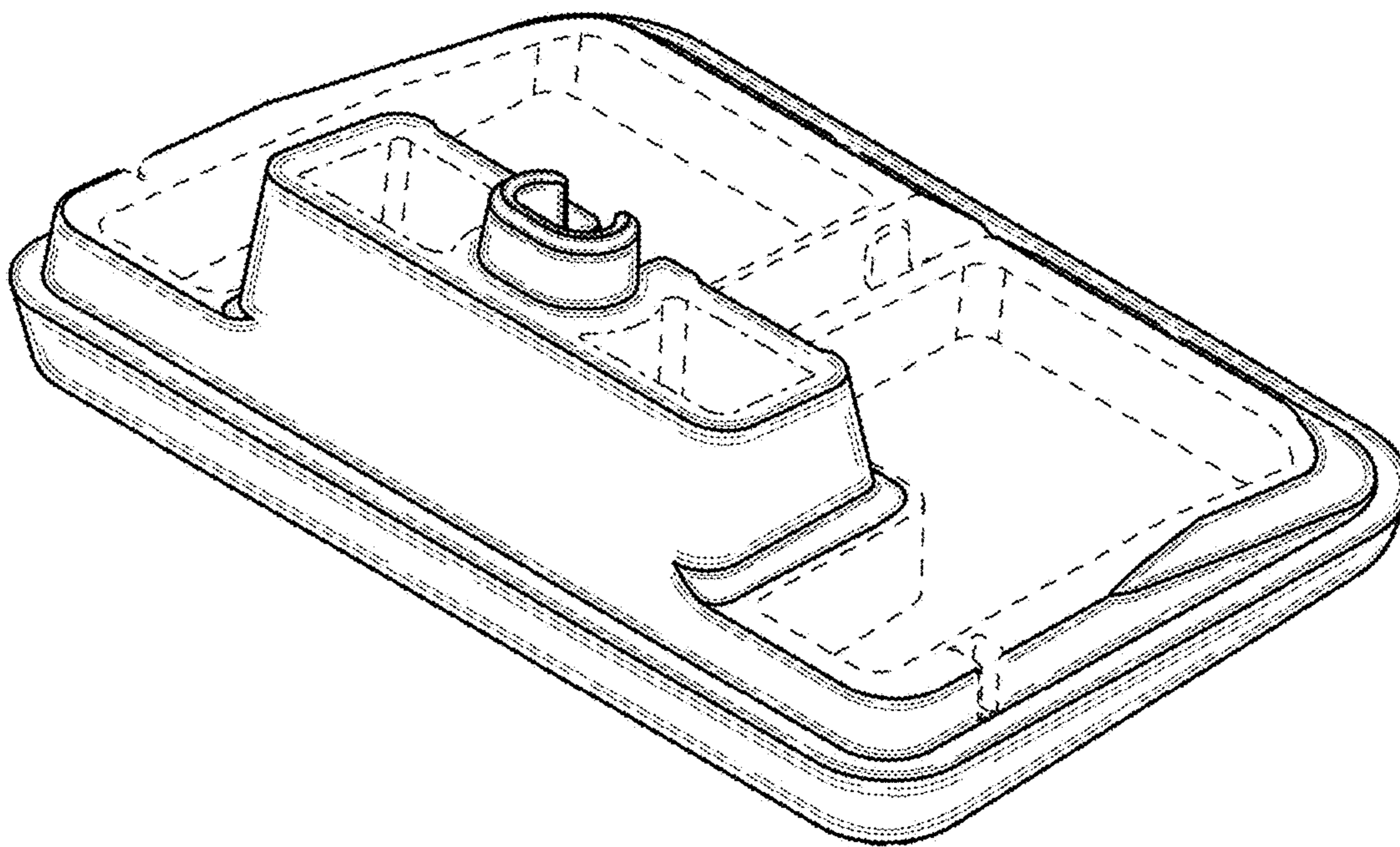


FIG. 12

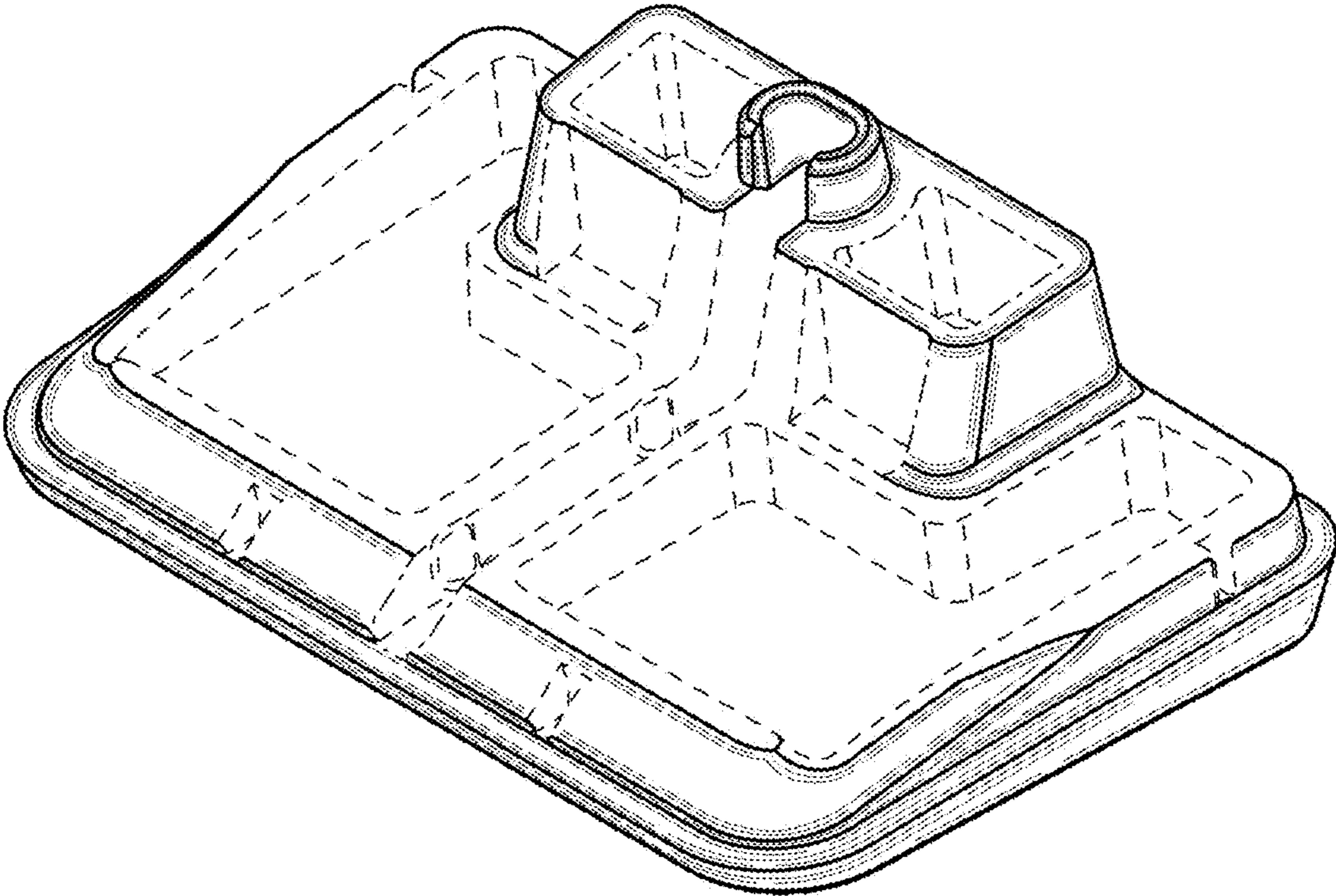


FIG. 13

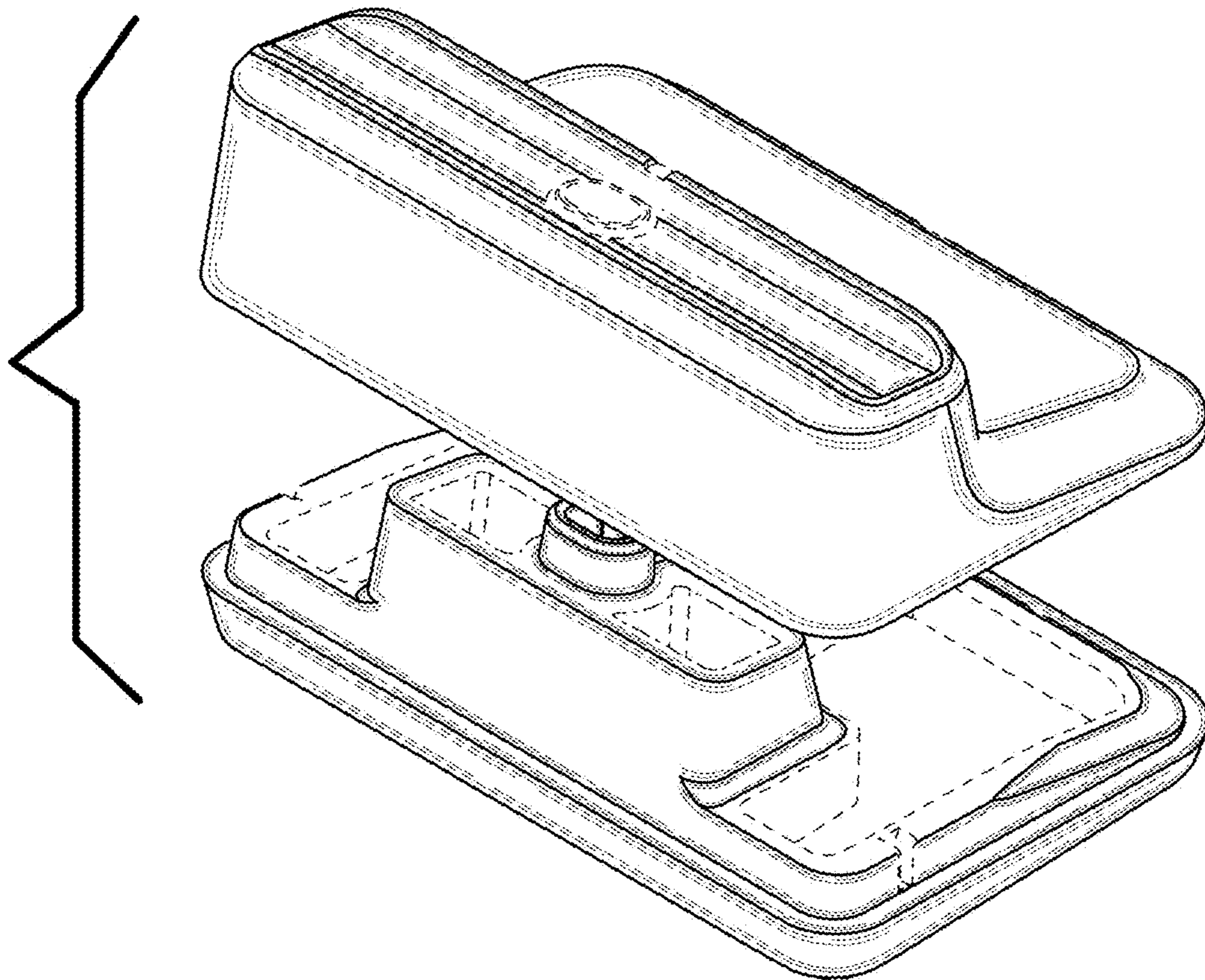




FIG. 14

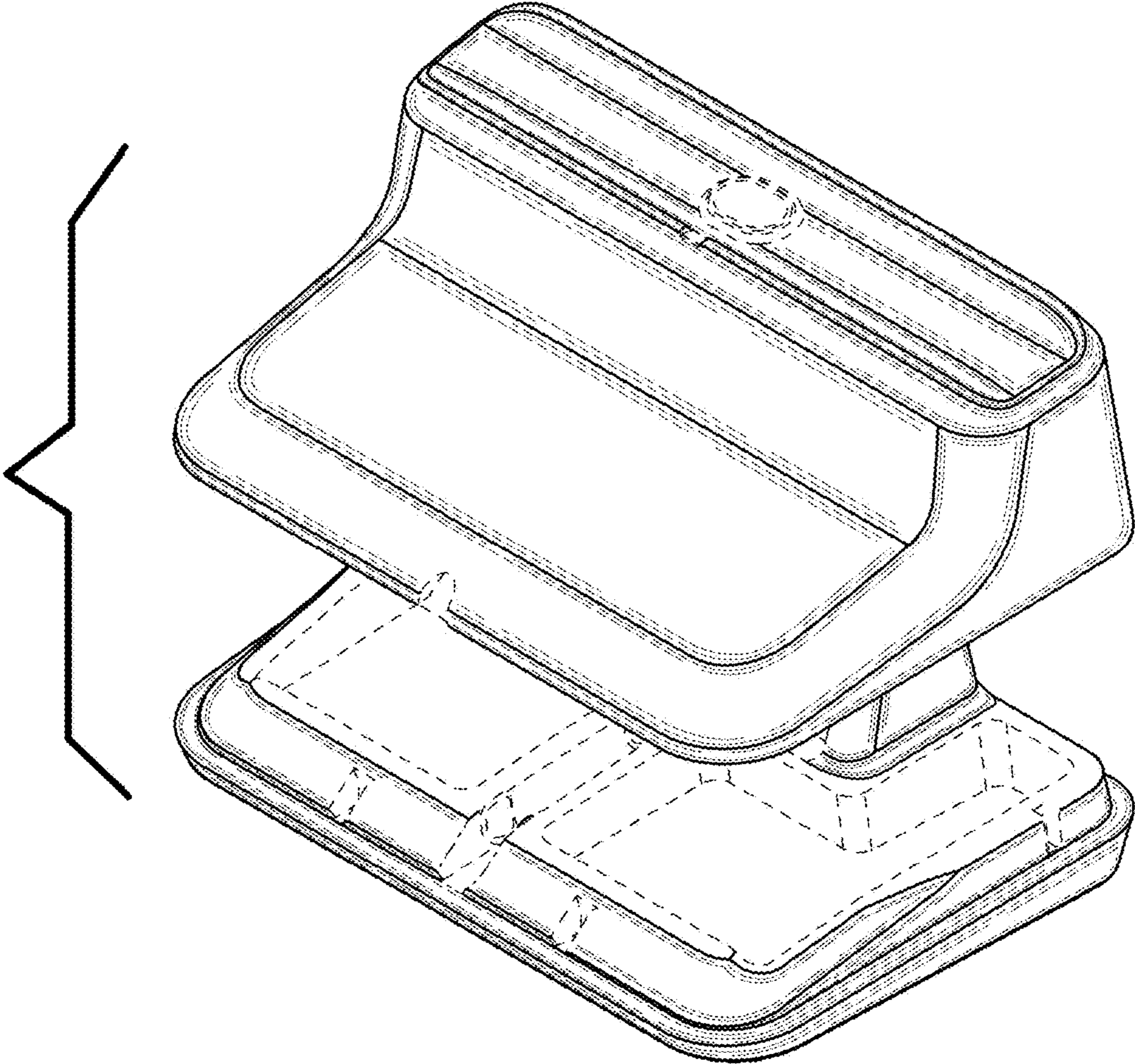




FIG. 15

