

US00D847738S

(12) **United States Design Patent** (10) **Patent No.:** **US D847,738 S**  
**Mastri et al.** (45) **Date of Patent:** **\*\* May 7, 2019**

(54) **CHARGER**

(71) Applicant: **Butterfly Network, Inc.**, Guilford, CT (US)

(72) Inventors: **Dominick Mastri**, Bridgeport, CT (US); **Matthew de Jonge**, New York, NY (US); **Stephen Christopher**, Philadelphia, PA (US); **Paul Maxted**, Guilford, CT (US); **Matthew R. Hageman**, Hoffman Estates, IL (US)

(73) Assignee: **Butterfly Network, Inc.**, Guilford, CT (US)

(\*\*) Term: **15 Years**

(21) Appl. No.: **29/631,744**

(22) Filed: **Jan. 2, 2018**

(51) **LOC (11) Cl.** ..... **13-02**

(52) **U.S. Cl.**  
USPC ..... **D13/107**

(58) **Field of Classification Search**  
USPC ..... D13/107-110, 118-119, 184, 199;  
D14/251, 253, 432, 434  
CPC ..... Y02E 60/12; Y02T 90/14; Y02T 90/122;  
Y02T 90/128; Y02T 90/163; H02J 7/025;  
H02J 7/0042; H02J 7/0044; H02J 7/0045;  
H02J 7/0003; H01F 38/14; H01M 2/1022;  
H01M 2/1055; H01M 10/44; H01M 10/46; H01M 10/425; B60L 11/182  
See application file for complete search history.

(56) **References Cited**

**U.S. PATENT DOCUMENTS**

3,659,180 A \* 4/1972 Urbush ..... H01M 2/1055  
320/115  
D339,809 S \* 9/1993 Ron ..... D13/108

D445,975 S \* 7/2001 Stratford ..... D13/108  
6,313,604 B1 \* 11/2001 Chen ..... H01M 10/46  
320/114  
D645,819 S \* 9/2011 Lin ..... D13/118  
D721,648 S \* 1/2015 Breines ..... D13/107  
D722,292 S \* 2/2015 De Klein ..... D13/108  
D723,459 S \* 3/2015 Dang ..... D13/108  
D776,054 S \* 1/2017 Cmich ..... D13/108  
D802,529 S \* 11/2017 Andersson ..... D13/108  
D835,576 S \* 12/2018 Jenkins ..... D13/108  
2015/0032002 A1 1/2015 Rothberg et al.  
2017/0360397 A1 12/2017 Rothberg et al.

\* cited by examiner

*Primary Examiner* — Rosemary K Tarcaza

(74) *Attorney, Agent, or Firm* — Wolf, Greenfield & Sacks, P.C.

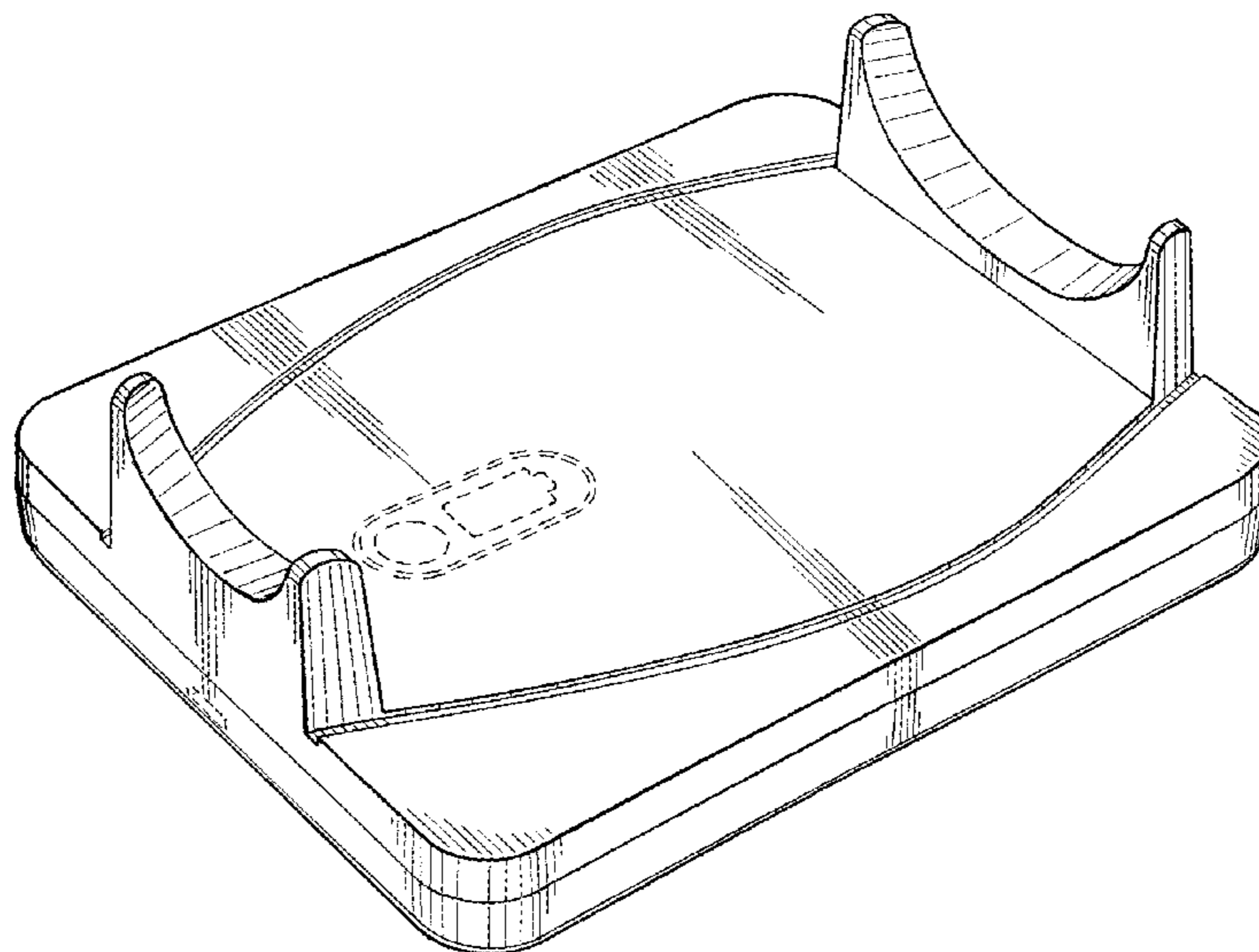
(57) **CLAIM**

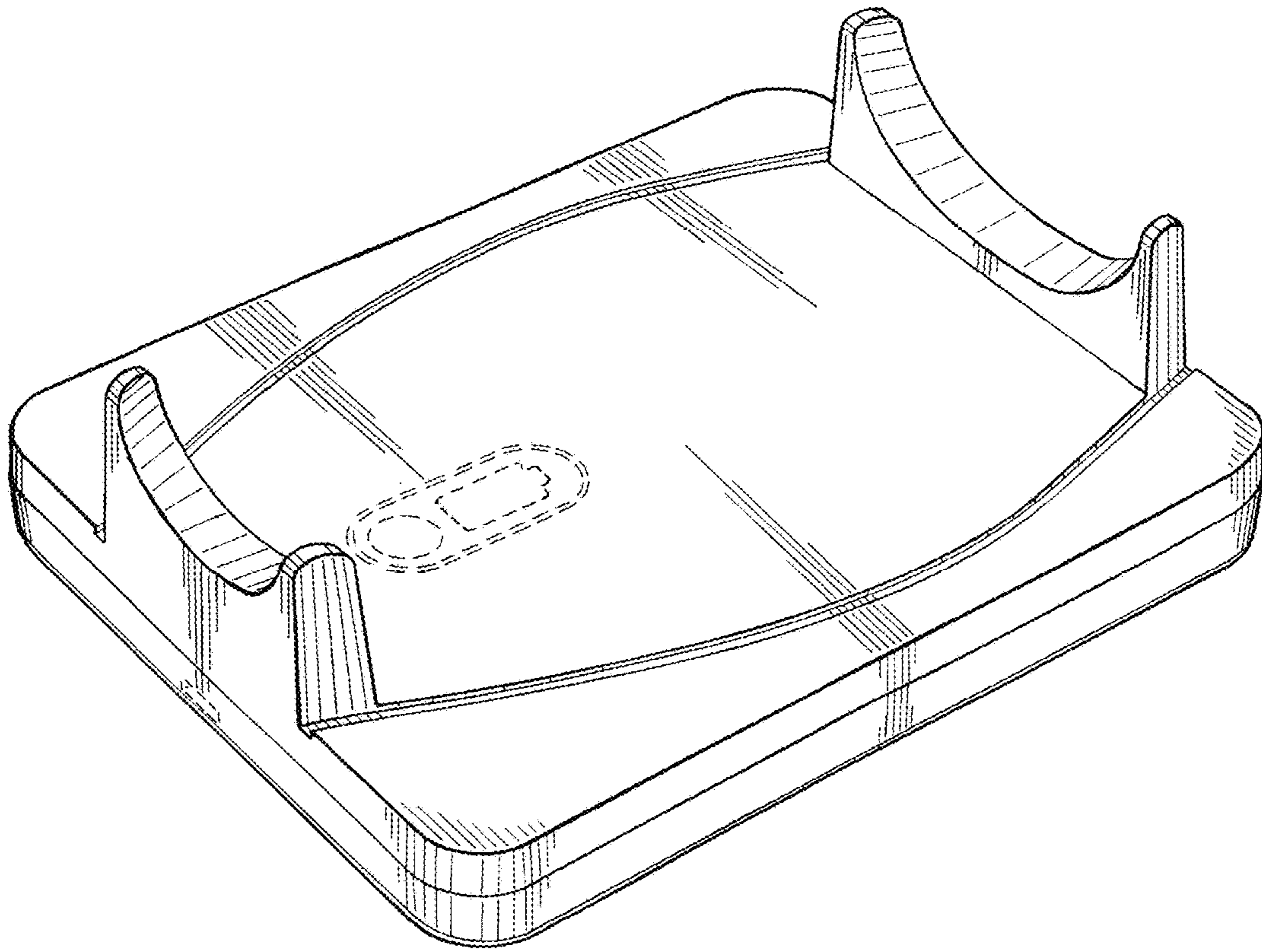
The ornamental design for a charger, as shown and described.

**DESCRIPTION**

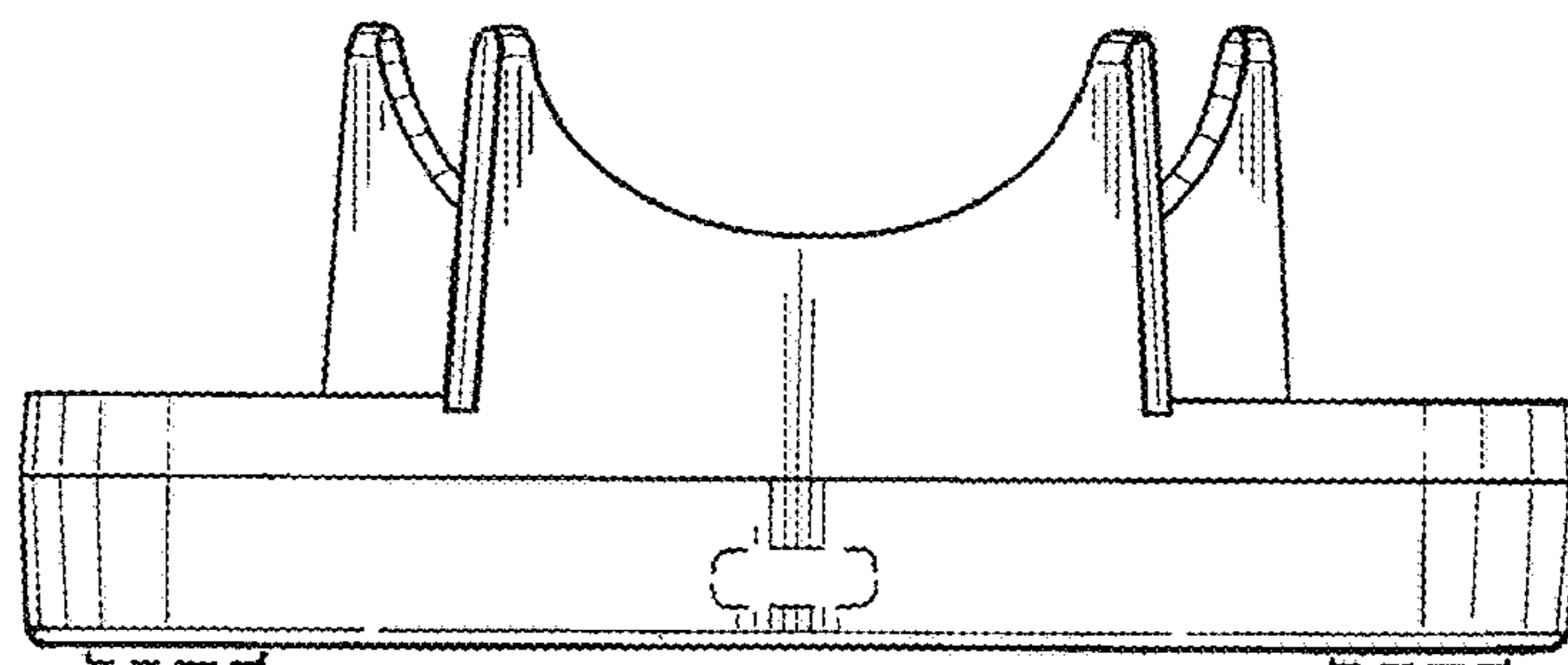
FIG. 1 is a top, front, right side perspective view of a charger according to our new design;  
FIG. 2 is a front elevation view thereof;  
FIG. 3 is a rear elevation view thereof;  
FIG. 4 is a left side elevation view thereof;  
FIG. 5 is a right side elevation view thereof;  
FIG. 6 is a top plan view thereof; and,  
FIG. 7 is a bottom plan view thereof.  
The broken lines illustrate portions of the charger that form no part of the claimed design.

**1 Claim, 4 Drawing Sheets**

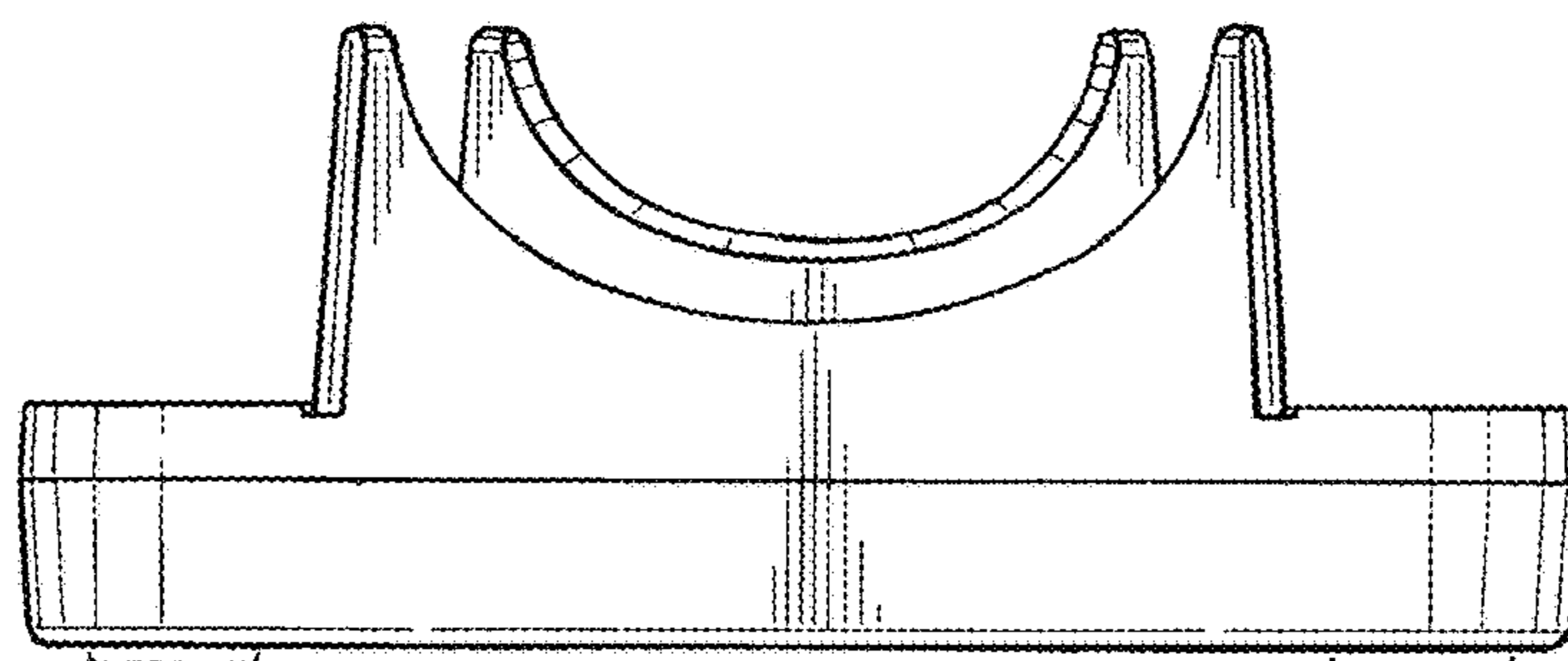




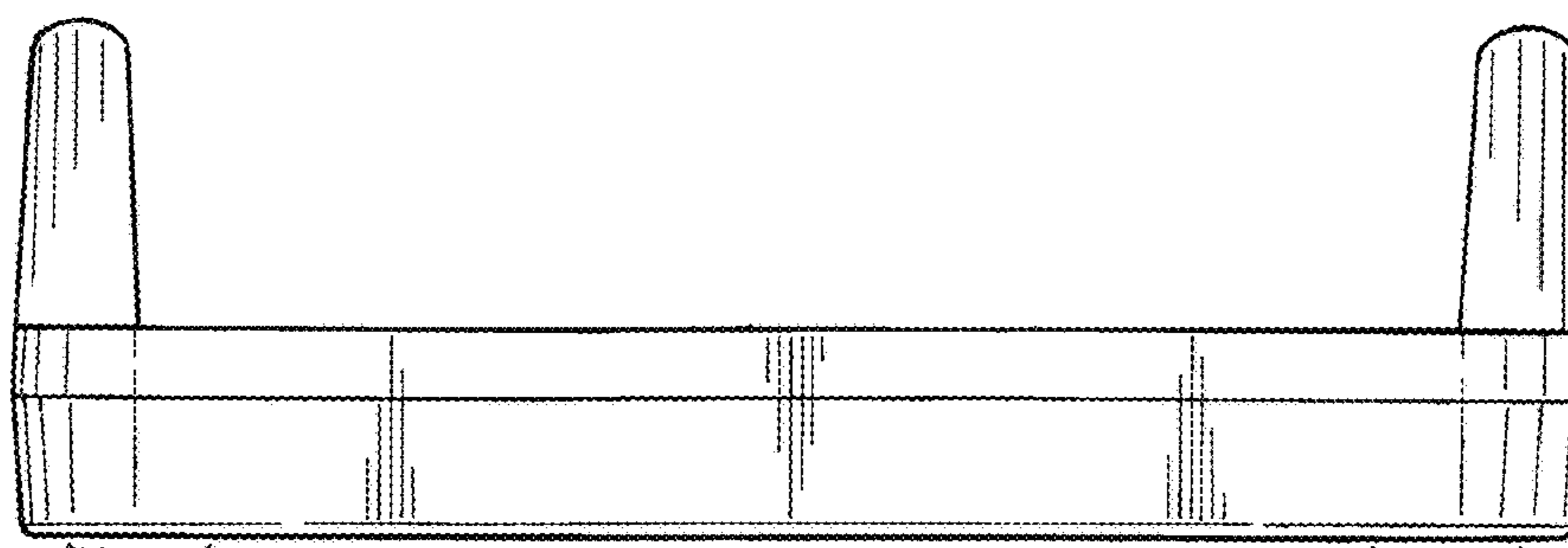
*Fig. 1*



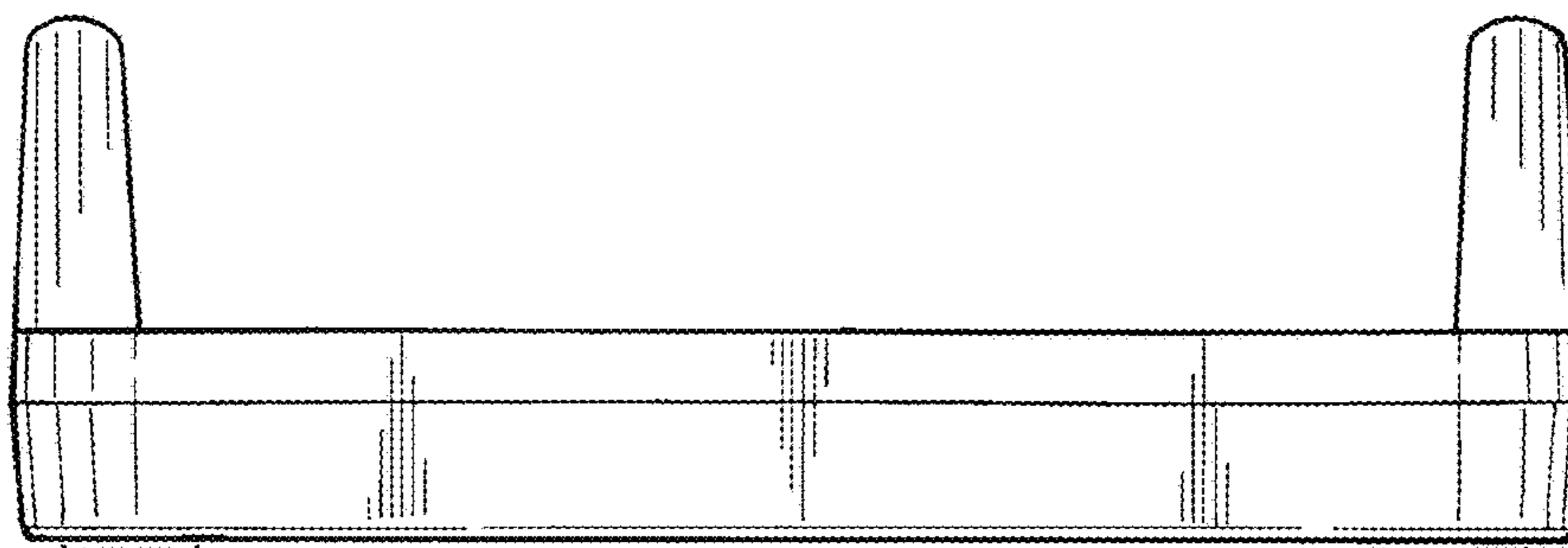
*Fig. 2*



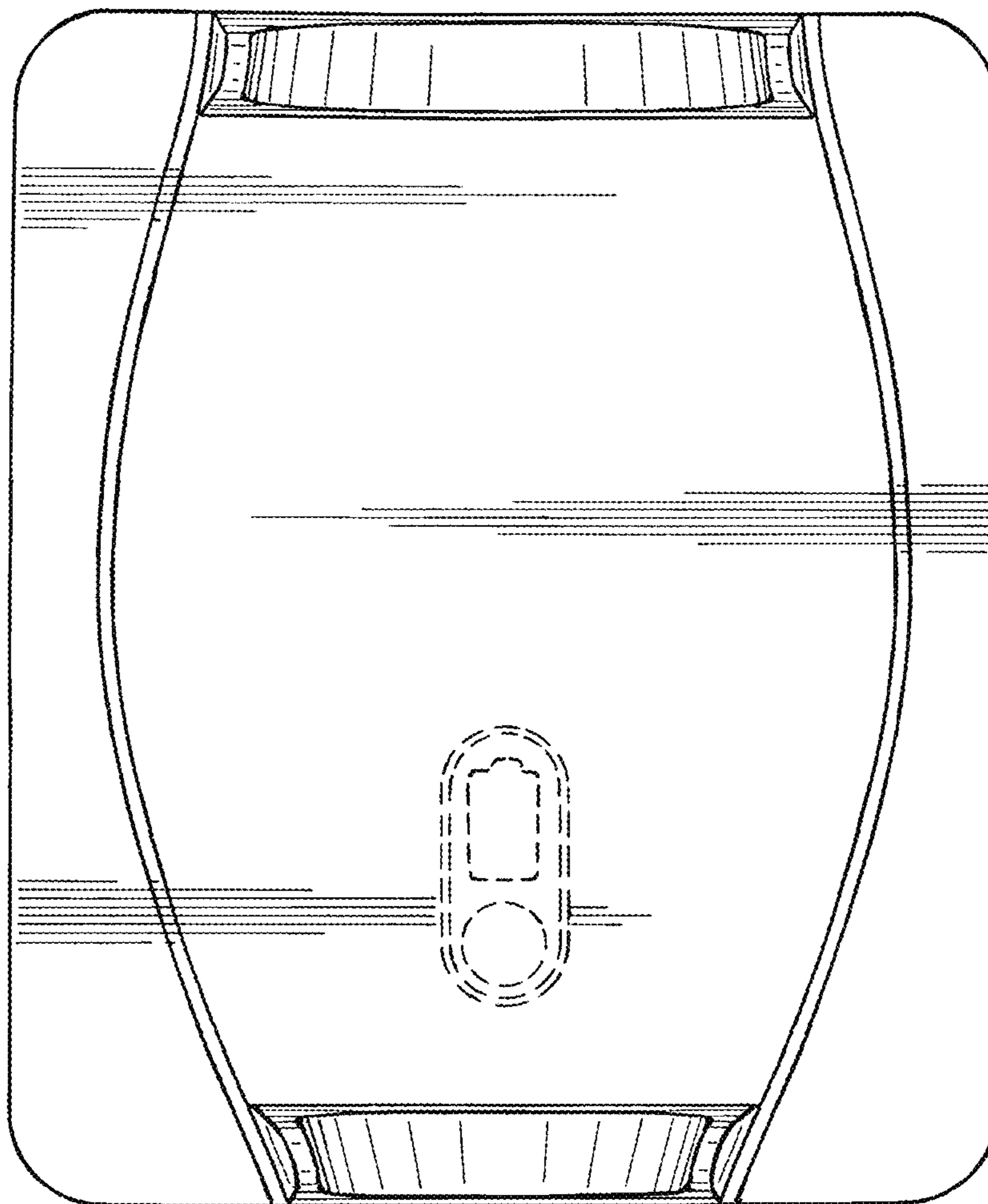
*Fig. 3*



*Fig. 4*

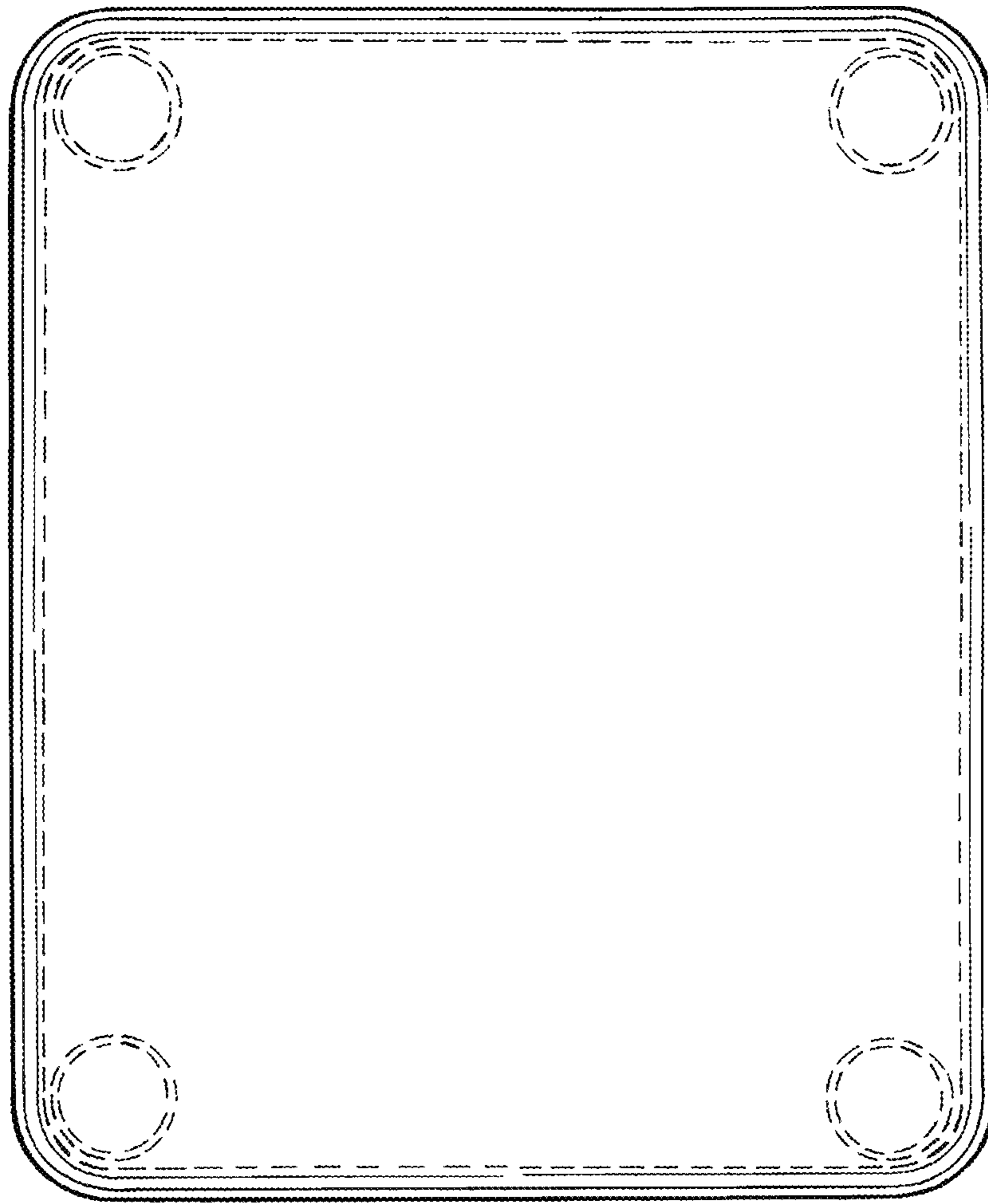


*Fig. 5*



*Fig. 6*





*Fig. 7*