



US00D847732S

(12) **United States Design Patent** (10) **Patent No.:** **US D847,732 S**
Nakamura et al. (45) **Date of Patent:** **** May 7, 2019**

(54) **TIRE TREAD**
(71) Applicant: **BRIDGESTONE CORPORATION**,
Tokyo (JP)
(72) Inventors: **Takamitsu Nakamura**, Tokyo (JP);
Hisashi Taniguchi, Tokyo (JP)
(73) Assignee: **BRIDGESTONE CORPORATION**,
Chuo-ku, Tokyo (JP)

(**) Term: **15 Years**
(21) Appl. No.: **29/628,456**
(22) Filed: **Dec. 5, 2017**

(30) **Foreign Application Priority Data**
Jun. 6, 2017 (JP) 2017-012163
(51) **LOC (11) Cl.** **12-15**
(52) **U.S. Cl.**
USPC **D12/604**
(58) **Field of Classification Search**
USPC D12/500-532, 604
CPC Y10T 152/10027; B60C 1/0016; B60C
11/0306; B60C 11/0302; B60C 3/06;
B60C 9/17
See application file for complete search history.

(56) **References Cited**
U.S. PATENT DOCUMENTS
D644,593 S * 9/2011 Fontaine D12/523
D692,822 S * 11/2013 Nakamura D12/521
D709,434 S * 7/2014 Kato D12/521
D768,054 S * 10/2016 Wang D12/523
D769,794 S * 10/2016 Kujime D12/523
D781,775 S * 3/2017 Hayashi D12/523
D784,911 S * 4/2017 Hayashi D12/521
D784,912 S * 4/2017 Hayashi D12/521
D785,544 S * 5/2017 Hayashi D12/521
D785,547 S * 5/2017 Taniguchi D12/523

D786,776 S * 5/2017 Aoki D12/521
D792,840 S * 7/2017 Hayashi D12/604
D799,407 S * 10/2017 Philipot D12/521
D800,049 S * 10/2017 Abinal D12/521
D802,520 S * 11/2017 Abinal D12/521
D805,023 S * 12/2017 Hayashi D12/532
D810,658 S * 2/2018 Hayashi D12/523
D811,989 S * 3/2018 Kim D12/521
(Continued)

OTHER PUBLICATIONS

Notification from the Japanese Patent Office dated Nov. 7, 2017,
issued in counterpart Japanese Design Application No. 2017-
012163.

(Continued)

Primary Examiner — Lakiya G Rogers
Assistant Examiner — John A Voytek
(74) *Attorney, Agent, or Firm* — Sughrue Mion, PLLC

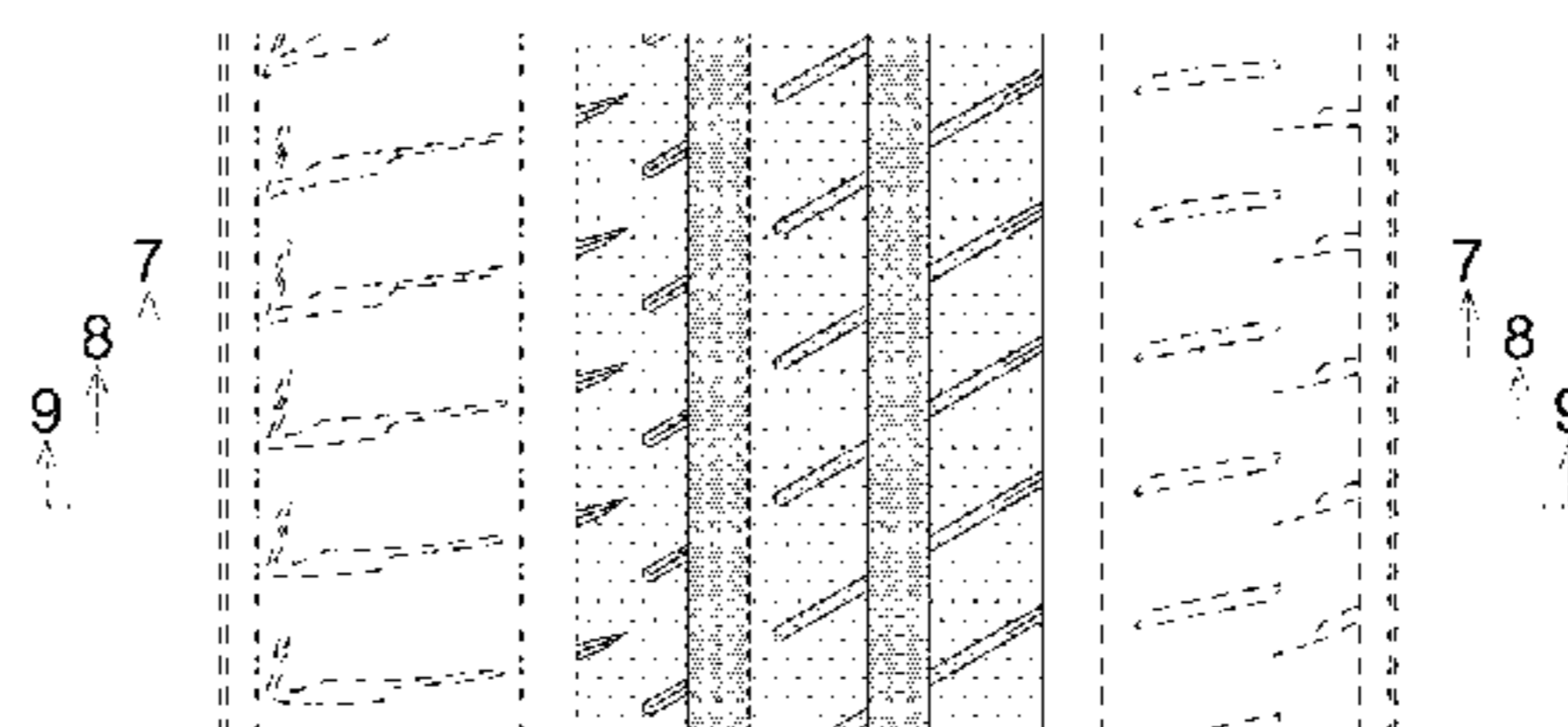
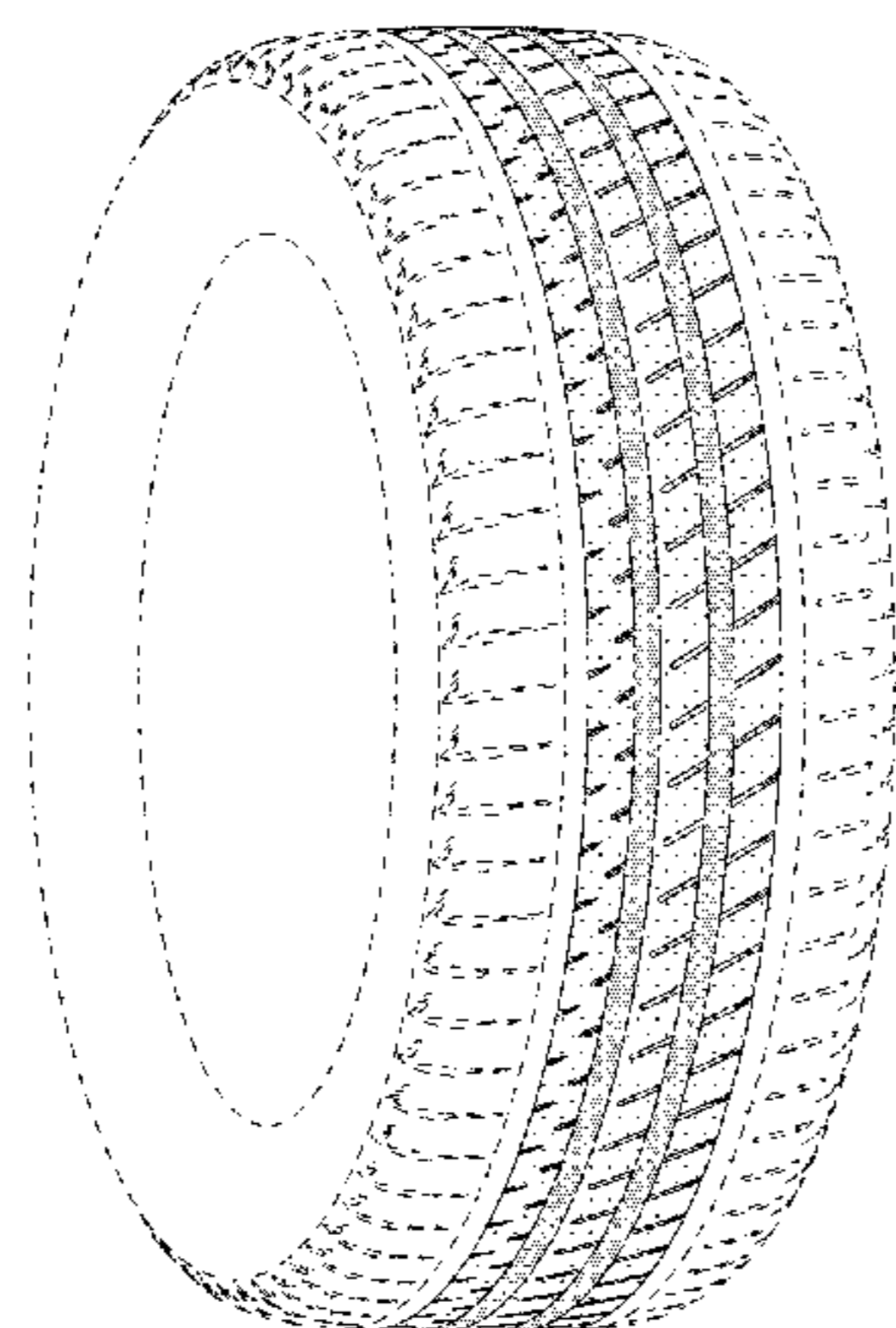
(57) **CLAIM**

The ornamental design for a tire tread, as shown and
described.

DESCRIPTION

FIG. 1 is a perspective view of a tire tread showing our
design;
FIG. 2 is a front view thereof;
FIG. 3 is a top view thereof;
FIG. 4 is a right side view thereof;
FIG. 5 is a left side view thereof;
FIG. 6 is a fragmentary enlarged front view showing the
details of the tread thereof;
FIG. 7 is a section view taken along line 7-7 in FIG. 6;
FIG. 8 is a section view taken along line 8-8 in FIG. 6; and,
FIG. 9 is a section view taken along line 9-9 in FIG. 6.
The broken lines are used to show unclaimed environment,
and thus form no part of the claimed design.

1 Claim, 9 Drawing Sheets



(56)

References Cited

U.S. PATENT DOCUMENTS

D815,584 S * 4/2018 Hayashi D12/521
D821,961 S * 7/2018 Wakasugi D12/523
D823,233 S * 7/2018 Fontaine D12/519
D828,280 S * 9/2018 Tae Min D12/519

OTHER PUBLICATIONS

Car Graphic, vol. 45, No. 3, p. 135 (Nigensha Co., Ltd., Published on Mar. 1, 2006) (JPO Reference No. HA17020958, 2 pages total.
Car and Driver, vol. 29, No. 12, p. 137 (Diamond, Inc., Published on Jun. 26, 2006) (JPO Reference No. HA18005954), 2 pages total.
2013 Catalog of Tire for passenger car and commercial vehicle, 2nd Edition (Nihon Michelin Tire Co., published on Dec. 4,2013) (JPO Reference No. HC25016482), 2 pages total.

* cited by examiner

FIG. 1

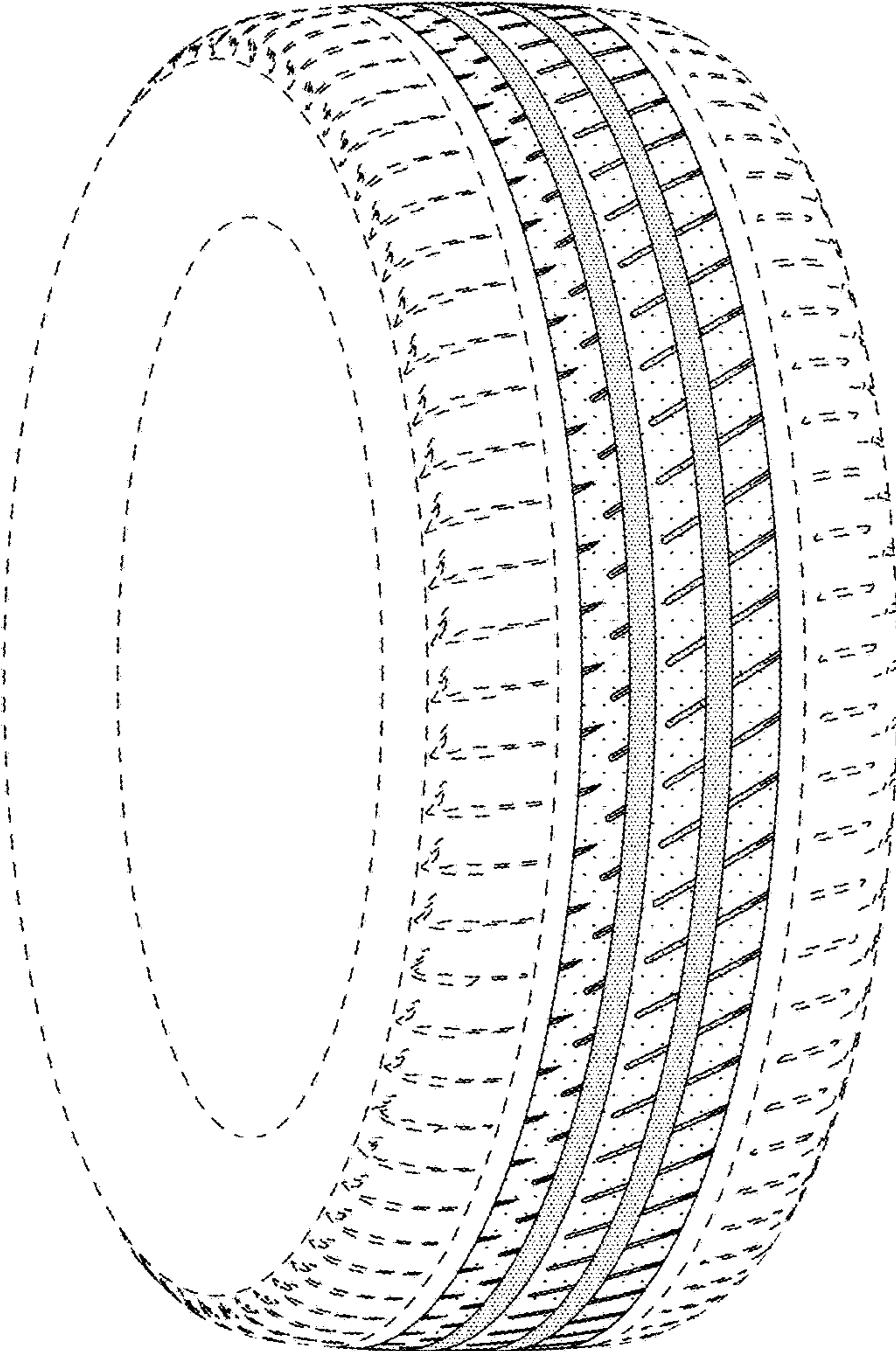


FIG. 2

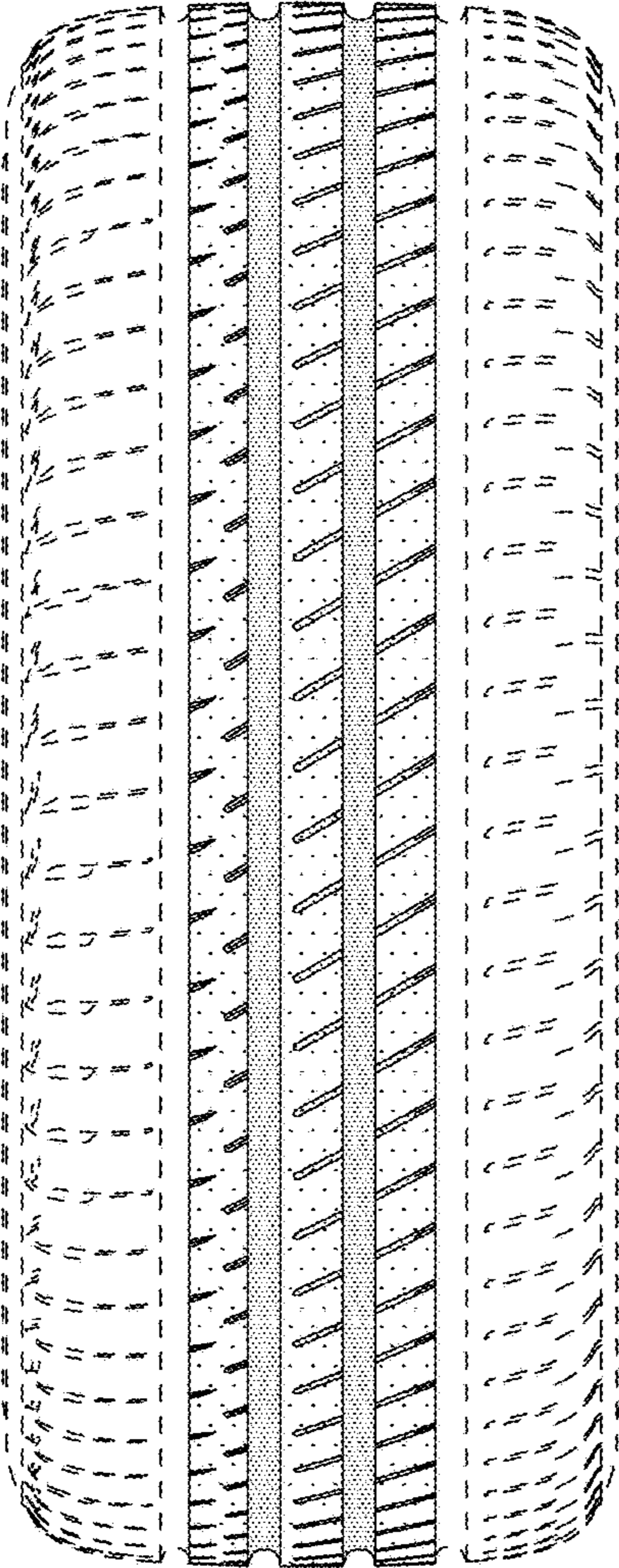


FIG. 3

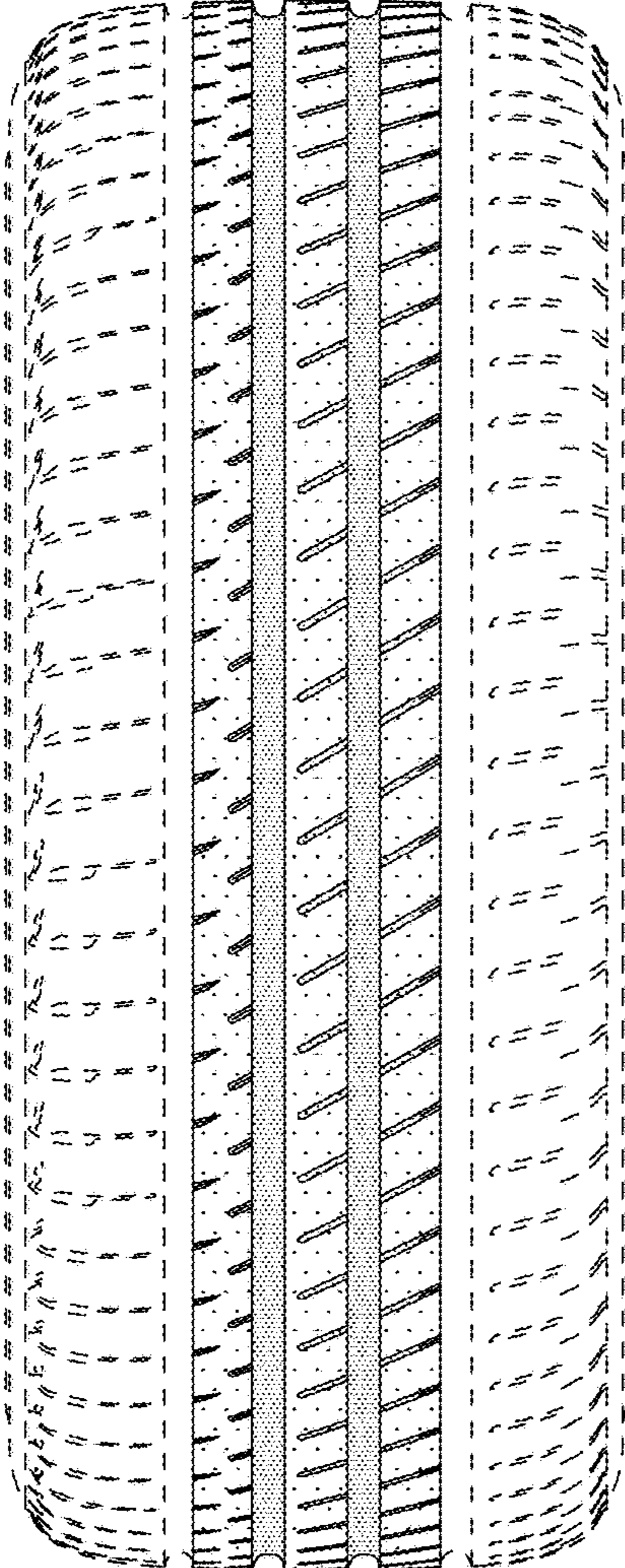


FIG. 4

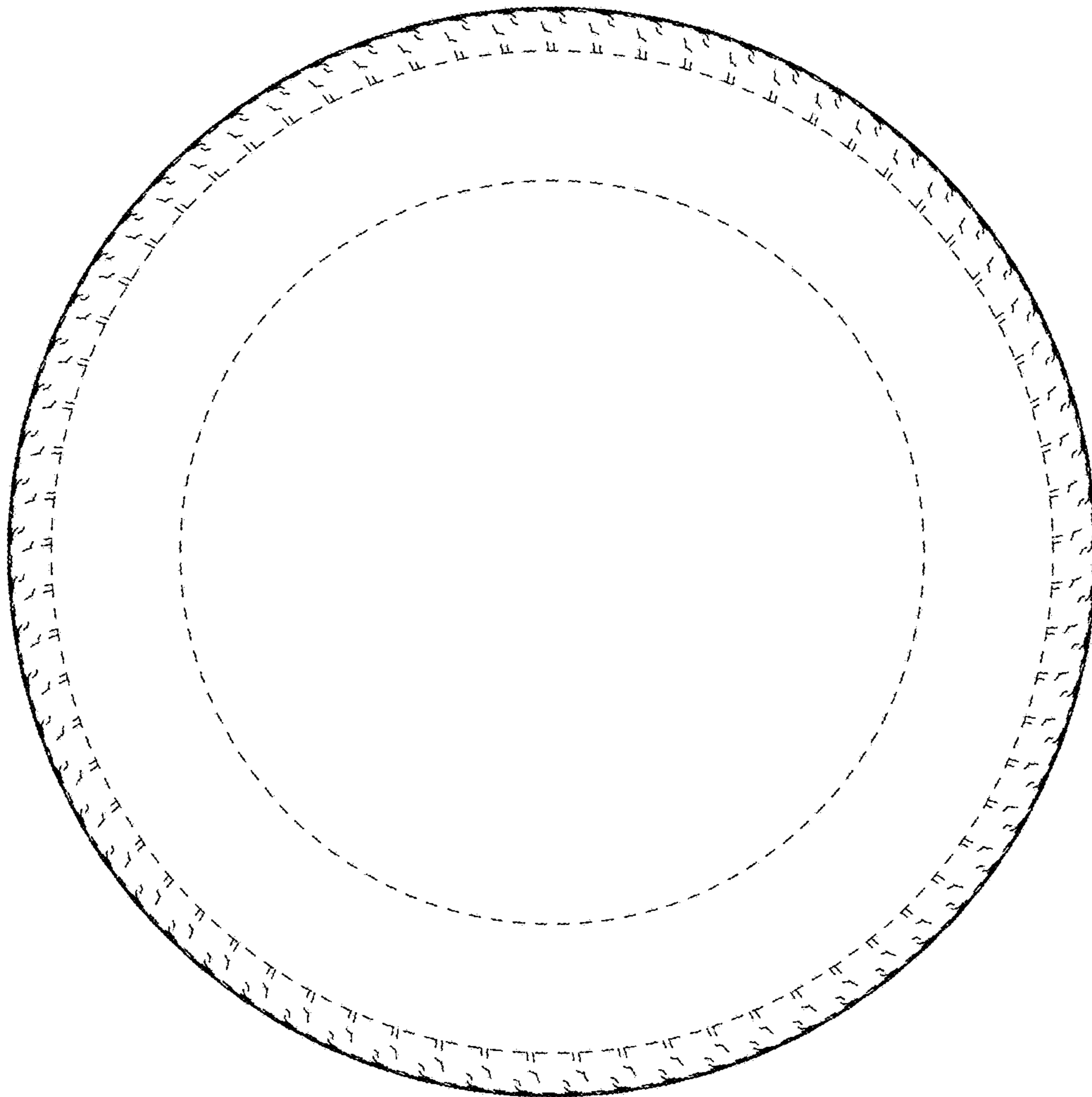


FIG. 5

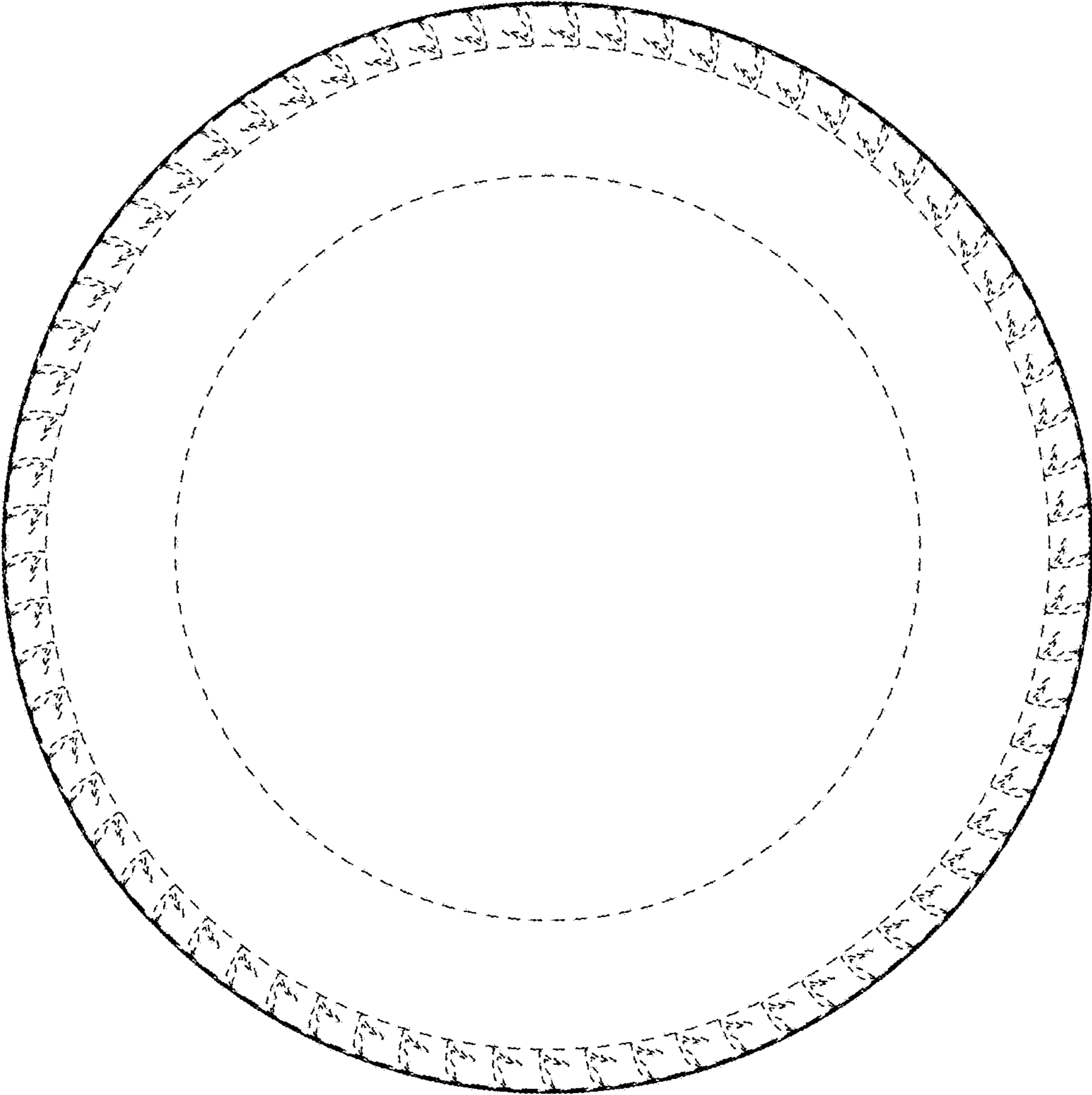


FIG. 6

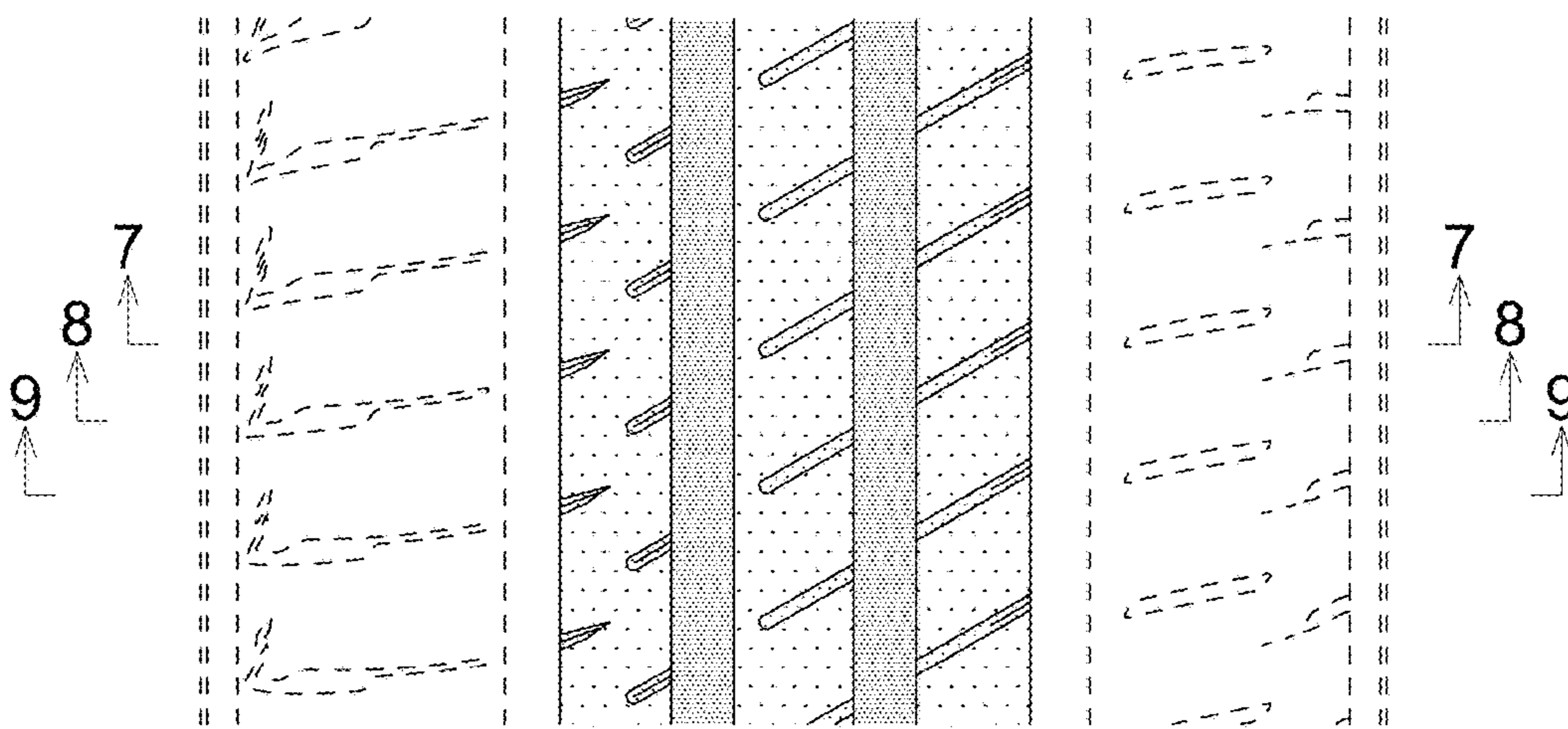


FIG. 7

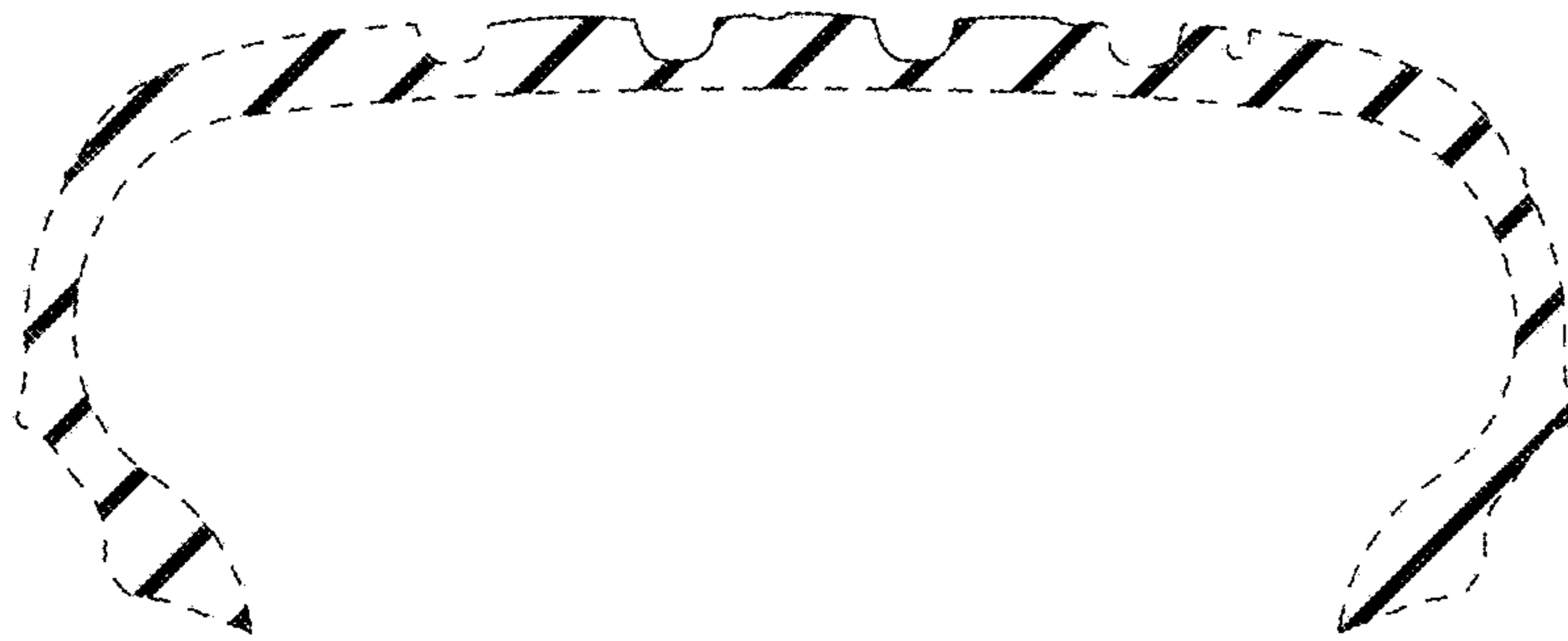


FIG. 8



FIG. 9

