



US00D847726S

(12) **United States Design Patent**
Maggelet et al.

(10) **Patent No.:** **US D847,726 S**

(45) **Date of Patent:** **** May 7, 2019**

(54) **TIRE**

(71) Applicant: **The Goodyear Tire & Rubber Company, Akron, OH (US)**

(72) Inventors: **Amanda Gari Maggelet, Copley, OH (US); Jennifer Marie Basl, Akron, OH (US); Nicholas Thomas Schoeppner, Cuyahoga Falls, OH (US)**

(73) Assignee: **The Goodyear Tire & Rubber Company, Akron, OH (US)**

(**) Term: **15 Years**

(21) Appl. No.: **29/629,201**

(22) Filed: **Dec. 12, 2017**

(51) **LOC (11) Cl.** **12-15**

(52) **U.S. Cl.**
USPC **D12/521**

(58) **Field of Classification Search**
USPC D12/500–532, 604
CPC Y10T 152/10027; B60C 1/0016; B60C 11/0306; B60C 11/0302; B60C 3/06; B60C 9/17

See application file for complete search history.

(56) **References Cited**

U.S. PATENT DOCUMENTS

D453,730 S	2/2002	Weber	D12/532
D480,351 S	10/2003	Dixon et al.	D12/601
D517,001 S	3/2006	Maziarka et al.	D12/597
D541,731 S	5/2007	Maziarka et al.	D12/528
D586,727 S	2/2009	Campana	D12/545
D601,950 S	10/2009	Pressley et al.	D12/588
D606,925 S *	12/2009	Shavers	D12/521
D616,810 S	6/2010	Scheuren et al.	D12/601
D619,087 S	7/2010	Scheuren et al.	D12/601
D635,916 S	4/2011	Krier et al.	D12/588

D648,264 S	11/2011	Le et al.	D12/588
D651,159 S	12/2011	Scharis et al.	D12/517
D696,622 S *	12/2013	Buresh	D12/523

(Continued)

Primary Examiner — Lakiya G Rogers

Assistant Examiner — John A Voytek

(74) *Attorney, Agent, or Firm* — Robert N. Lipsik

(57) **CLAIM**

The ornamental Design for a tire, as shown and described.

DESCRIPTION

FIG. 1 is a right side perspective view of a tire showing our new design, it being understood that the pattern repeats uniformly throughout the circumference of the tread;

FIG. 2 is a left side perspective view thereof;

FIG. 3 is a front elevational view thereof;

FIG. 4 is a right side elevational view thereof;

FIG. 5 is a left side elevational view thereof;

FIG. 6 is an enlarged fragmentary front elevational view thereof;

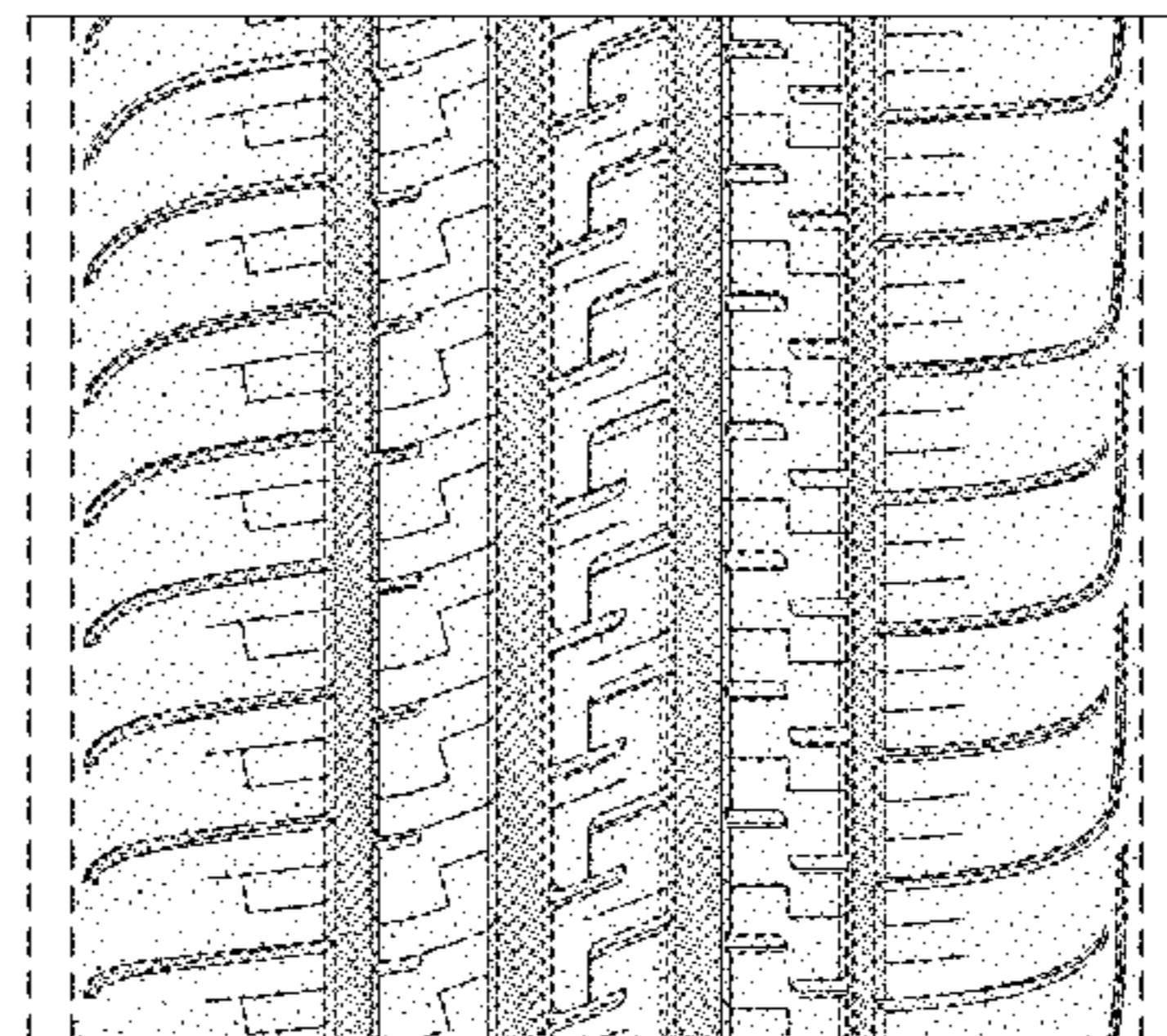
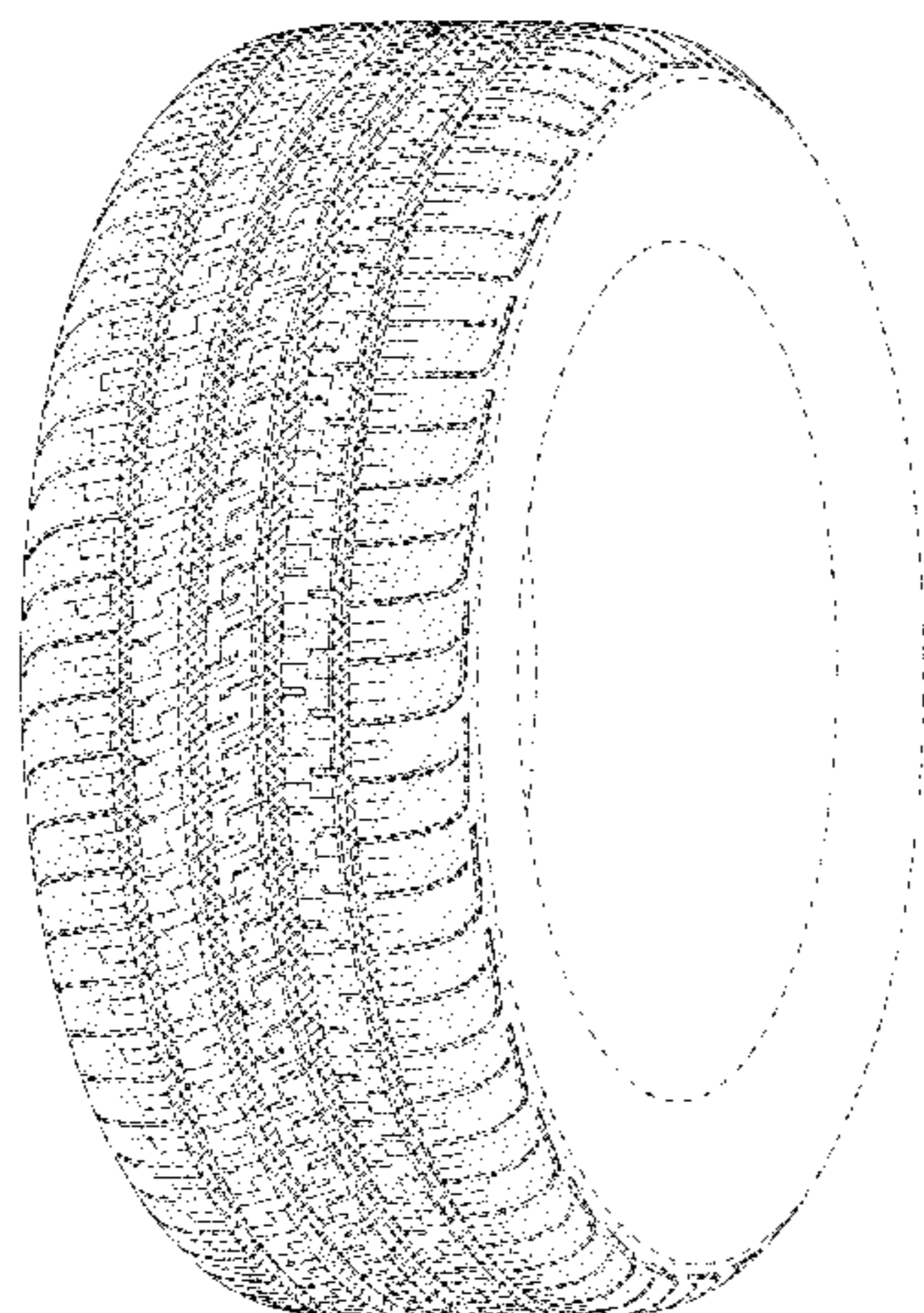
FIG. 7 is a right side perspective view of a second embodiment of a tire showing our new design, it being understood that the interior of the tire forms no part of the claim and that the pattern repeats uniformly throughout the circumference of the tread;

FIG. 8 is a left side perspective view of a second embodiment, it being understood that the interior of the tire forms no part of the claim; and,

FIG. 9 is a front elevational view of a second embodiment, it being understood that an enlarged fragmentary view thereof would be substantially identical to that shown in FIG. 6, with the exception of the inclusion of the sidewall in solid lines.

In the drawings, the broken lines immediately adjacent to the outer edges of the tire shoulder represent boundaries of the claim. All other broken lines shown in the drawings depict portions of the article that form no part of the claim.

1 Claim, 9 Drawing Sheets



(56)

References Cited

U.S. PATENT DOCUMENTS

D709,820	S *	7/2014	Rohweder	D12/586
D710,295	S	8/2014	Bortolet et al.	D12/601
D731,954	S *	6/2015	Pribula	D12/519
D735,113	S *	7/2015	Schoepner	D12/521
D740,210	S	10/2015	Uphouse et al.	D12/588
D740,214	S	10/2015	Le et al.	D12/600
D783,509	S	4/2017	Scalas	D12/567
D785,543	S *	5/2017	Suzuki	D12/520
D795,793	S	8/2017	Schoepner et al.	D12/523
D813,147	S *	3/2018	Schoepner	D12/588
D823,233	S *	7/2018	Fontaine	D12/519
D826,137	S *	8/2018	Mishima	D12/521
2016/0089938	A1 *	3/2016	Iwasaki	B60C 11/0327
				152/209.18
2018/0141389	A1 *	5/2018	Yamaoka	B60C 11/0304

* cited by examiner

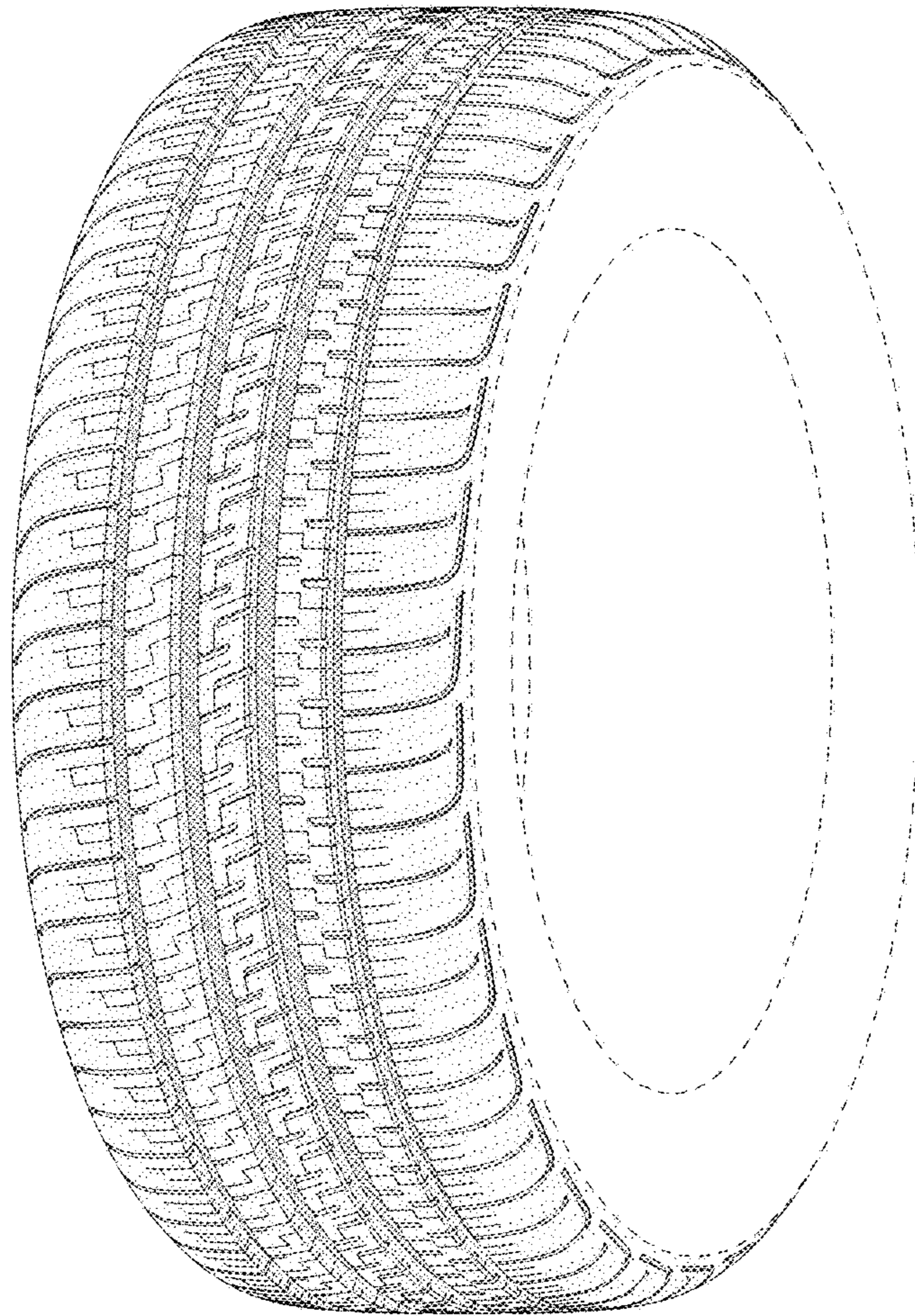


FIG - 1

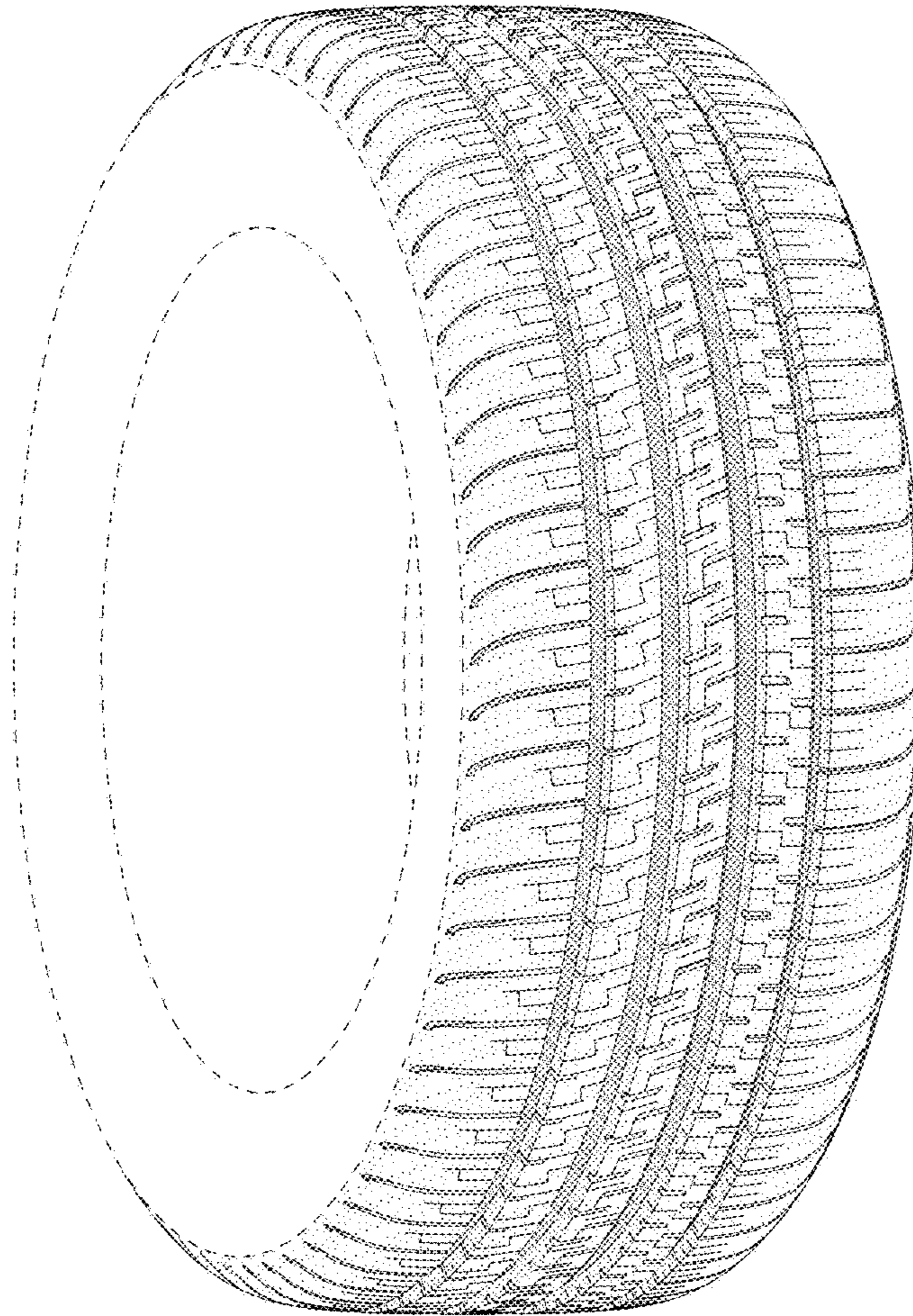


FIG - 2

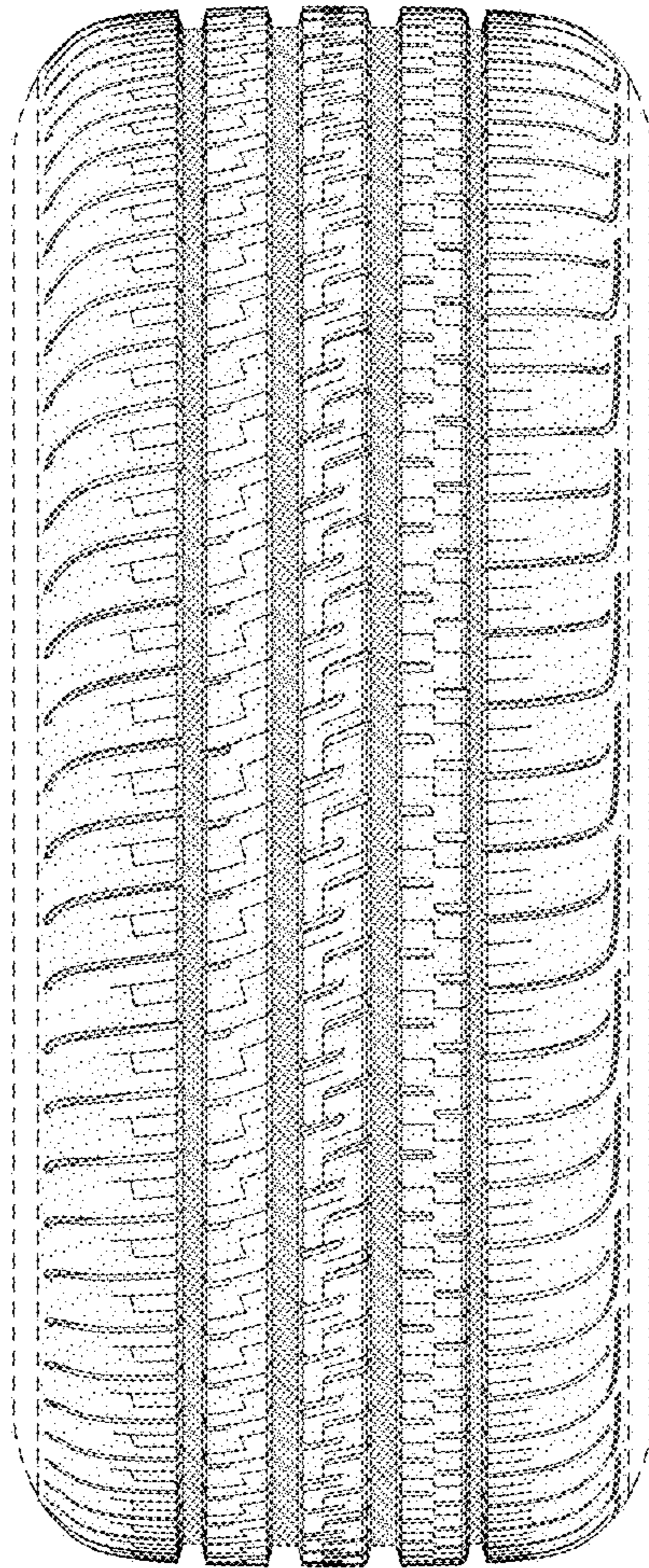


FIG - 3

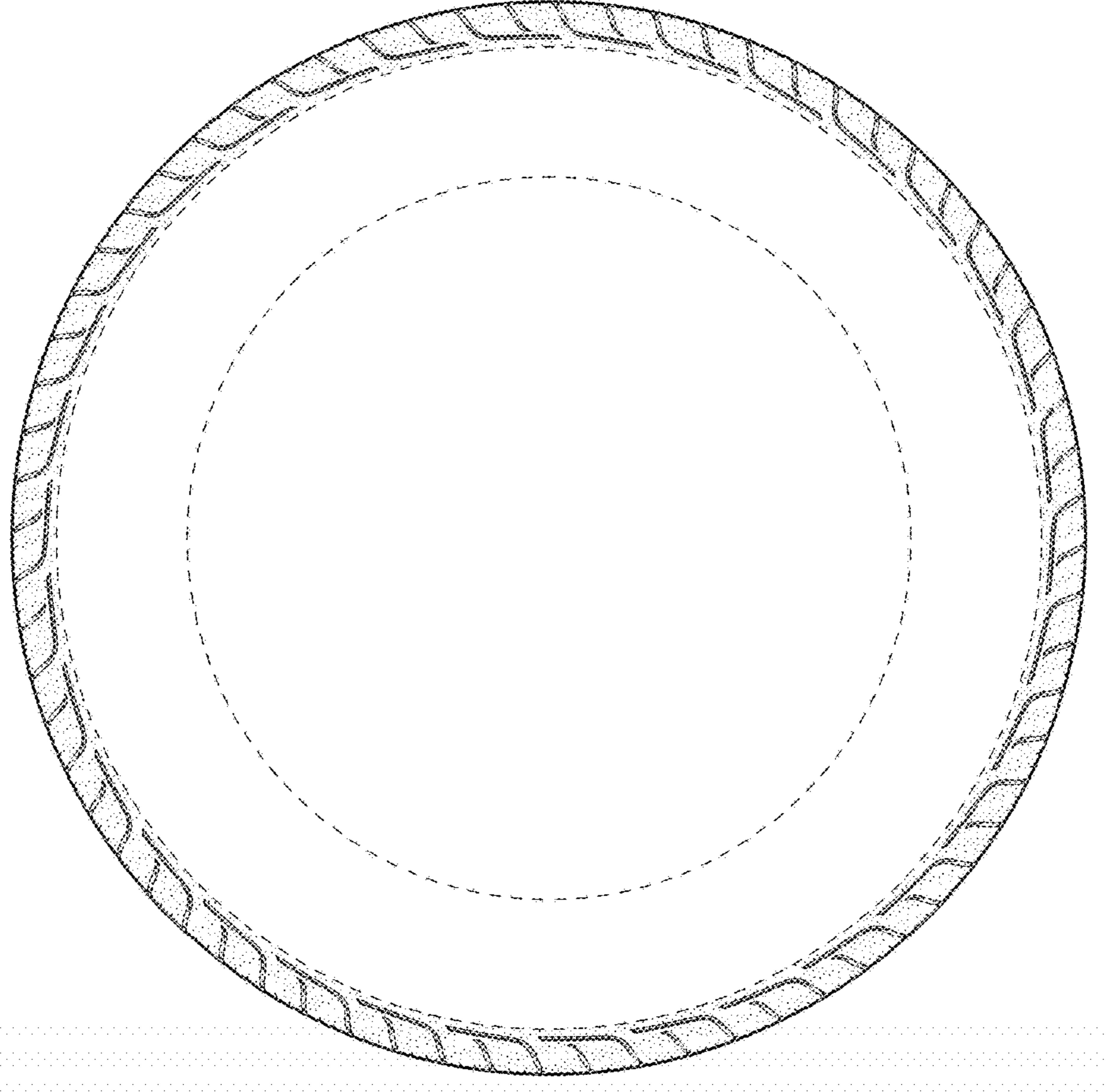


FIG - 4

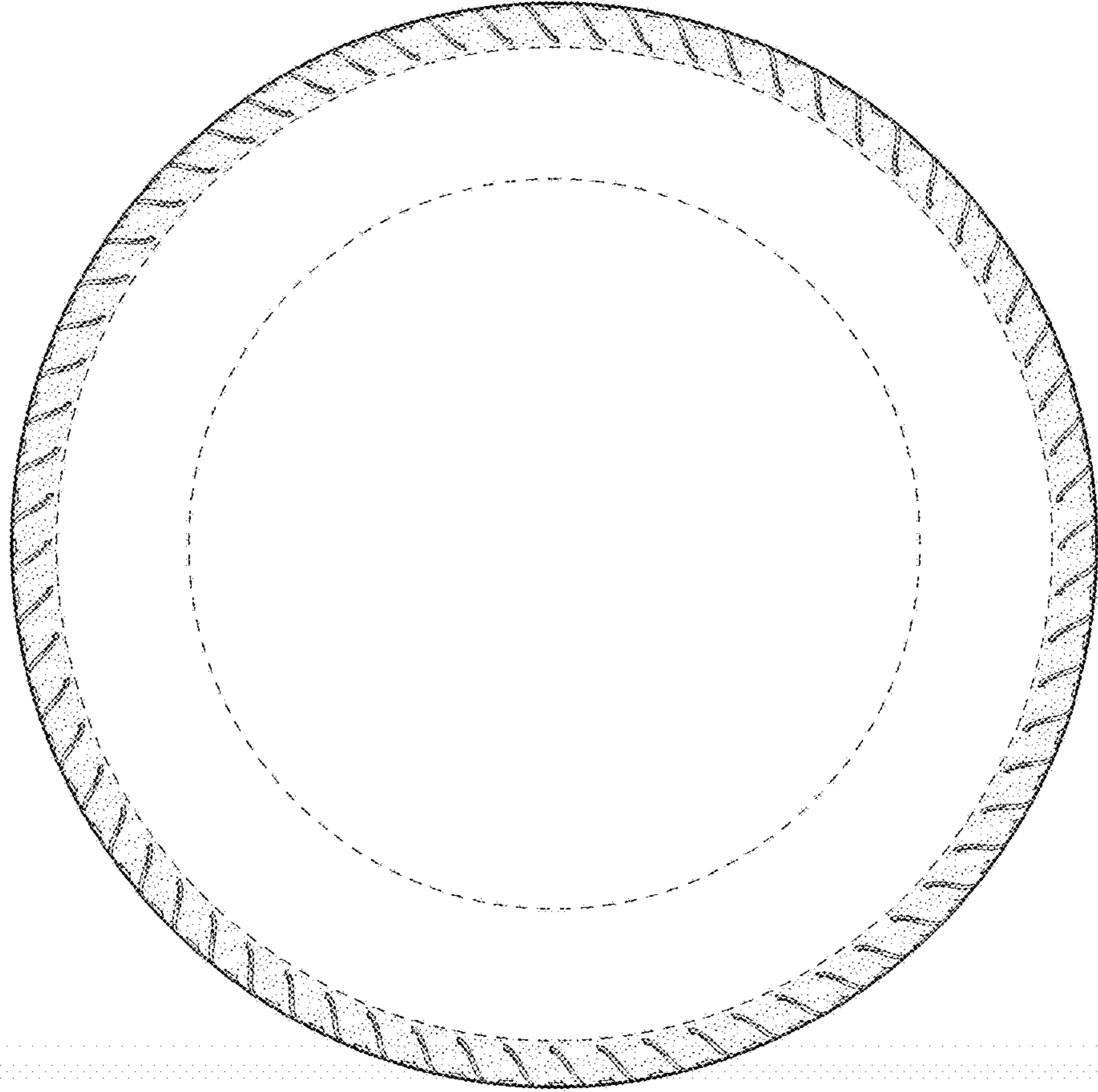


FIG - 5

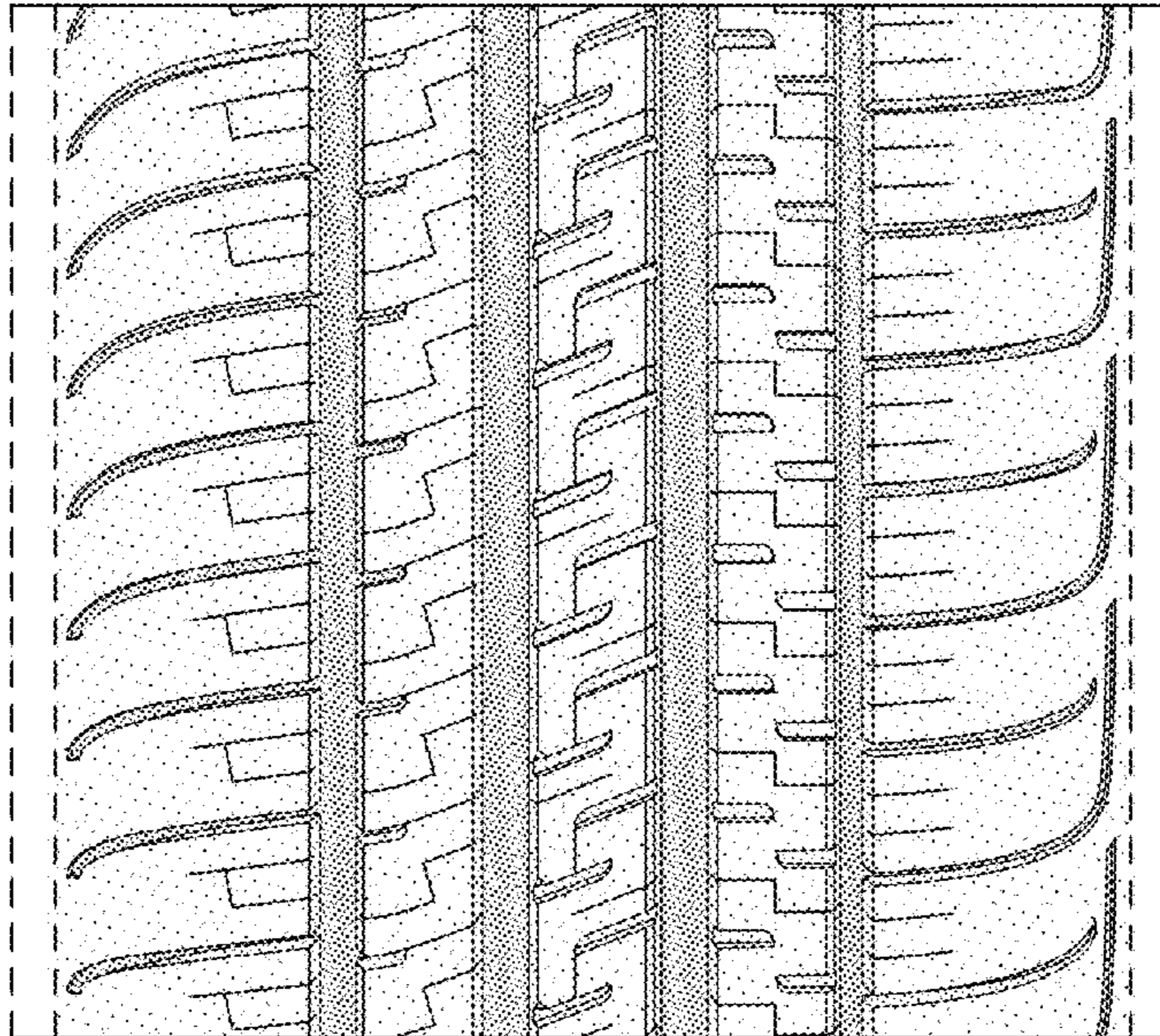


FIG - 6

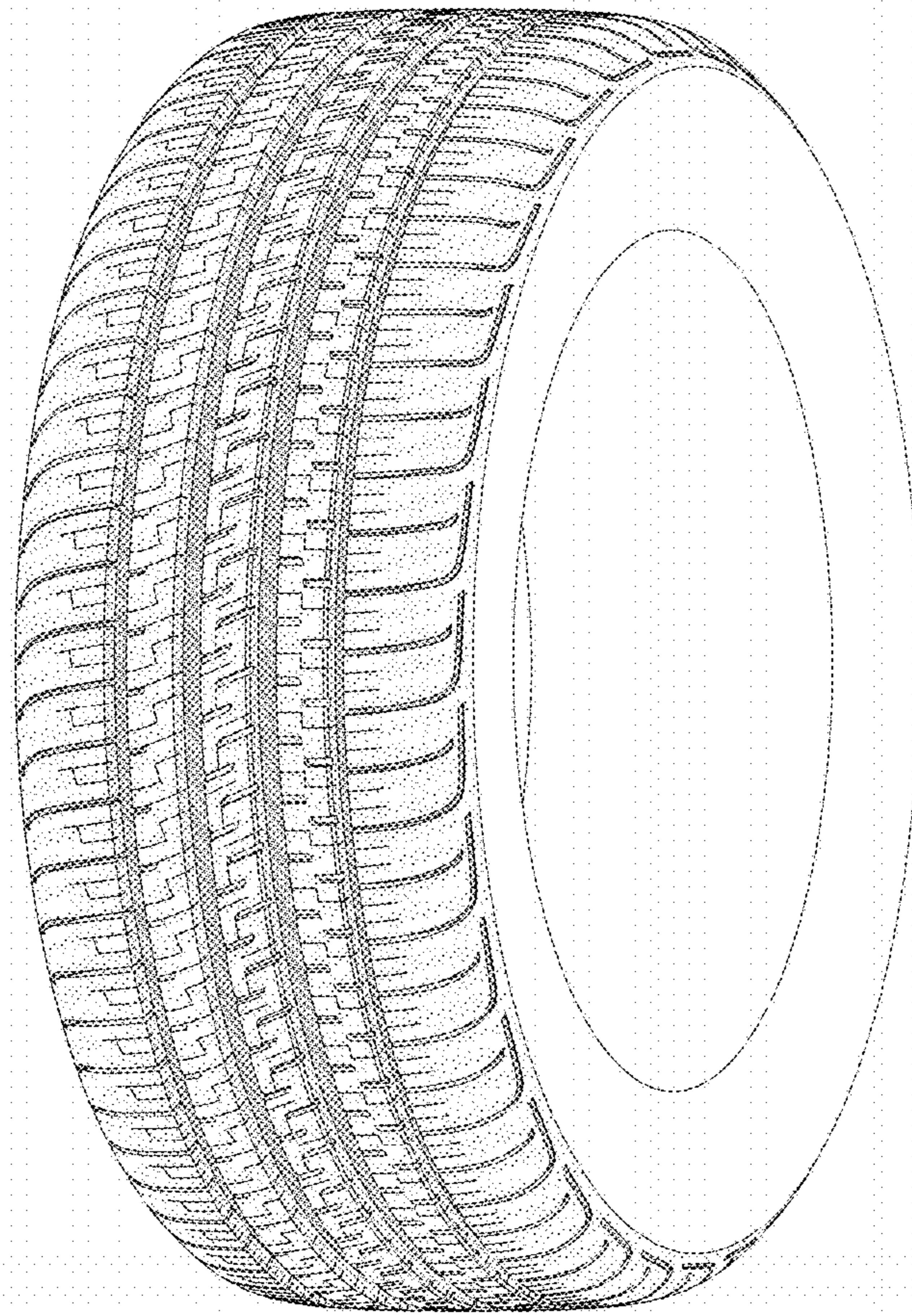


FIG - 7



FIG - 8

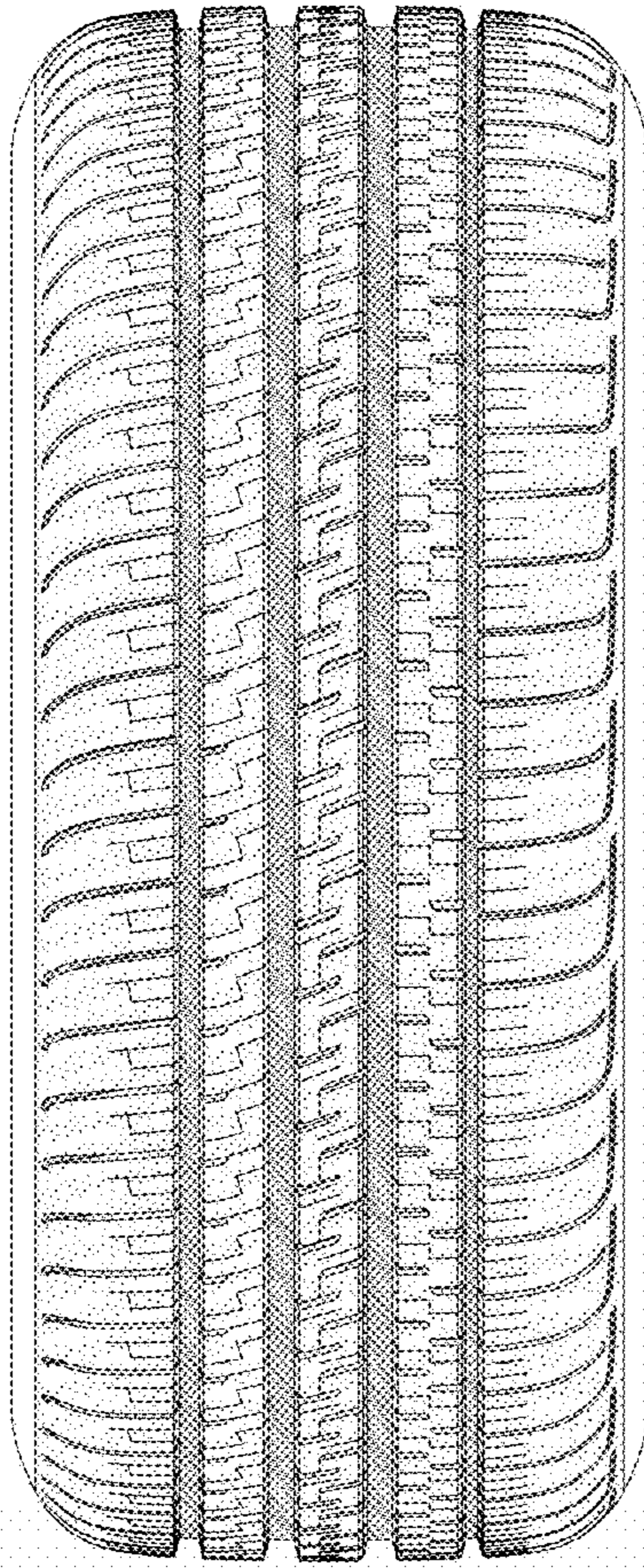


FIG - 9