



US00D847722S

(12) **United States Design Patent**
Ekert

(10) **Patent No.:** **US D847,722 S**

(45) **Date of Patent:** **** May 7, 2019**

(54) **VEHICLE WHEEL**

(71) Applicant: **Kverneland A/S, Klepp St (NO)**

(72) Inventor: **Michael Ekert, Unna (DE)**

(73) Assignee: **KVERNELAND A/S, Klepp St (NO)**

(**) Term: **15 Years**

(21) Appl. No.: **29/618,804**

(22) Filed: **Sep. 25, 2017**

(30) **Foreign Application Priority Data**

Mar. 28, 2017 (EM) 003828128

(51) **LOC (11) Cl.** **12-16**

(52) **U.S. Cl.**
USPC **D12/211**

(58) **Field of Classification Search**

USPC D12/204–213

CPC B60B 7/00; B60B 7/02; B60B 7/04; B60B

7/01; B60B 7/06; B60B 3/02; B60B 3/04;

B60B 3/06; B60B 3/10; B60B 1/00;

B60B 1/08; B60B 1/10; B60B 1/12

See application file for complete search history.

(56) **References Cited**

U.S. PATENT DOCUMENTS

D204,256 S * 4/1966 Radar D12/211
D368,884 S * 4/1996 Cole D12/209

D408,774 S * 4/1999 Nishida D12/209
D411,160 S * 6/1999 Hall D12/211
D428,848 S * 8/2000 Wurst D12/223
D466,850 S * 12/2002 Cullen D12/211
D516,484 S * 3/2006 Koch D12/209
D539,203 S * 3/2007 Danbom D12/204
D639,220 S * 6/2011 Zhao D12/209
D755,106 S * 5/2016 Tanaka D12/213

* cited by examiner

Primary Examiner — Stacia A Cadmus

(74) *Attorney, Agent, or Firm* — Leason Ellis LLP

(57) **CLAIM**

The ornamental design for a vehicle wheel, as shown and described.

DESCRIPTION

FIG. 1 is a front perspective view of a vehicle wheel showing my new design;

FIG. 2 is a front elevation view thereof;

FIG. 3 is a rear elevation view thereof;

FIG. 4 is a left side elevation view thereof;

FIG. 5 is a right side elevation view thereof;

FIG. 6 is a top plan view thereof; and,

FIG. 7 is a bottom plan view thereof.

1 Claim, 7 Drawing Sheets

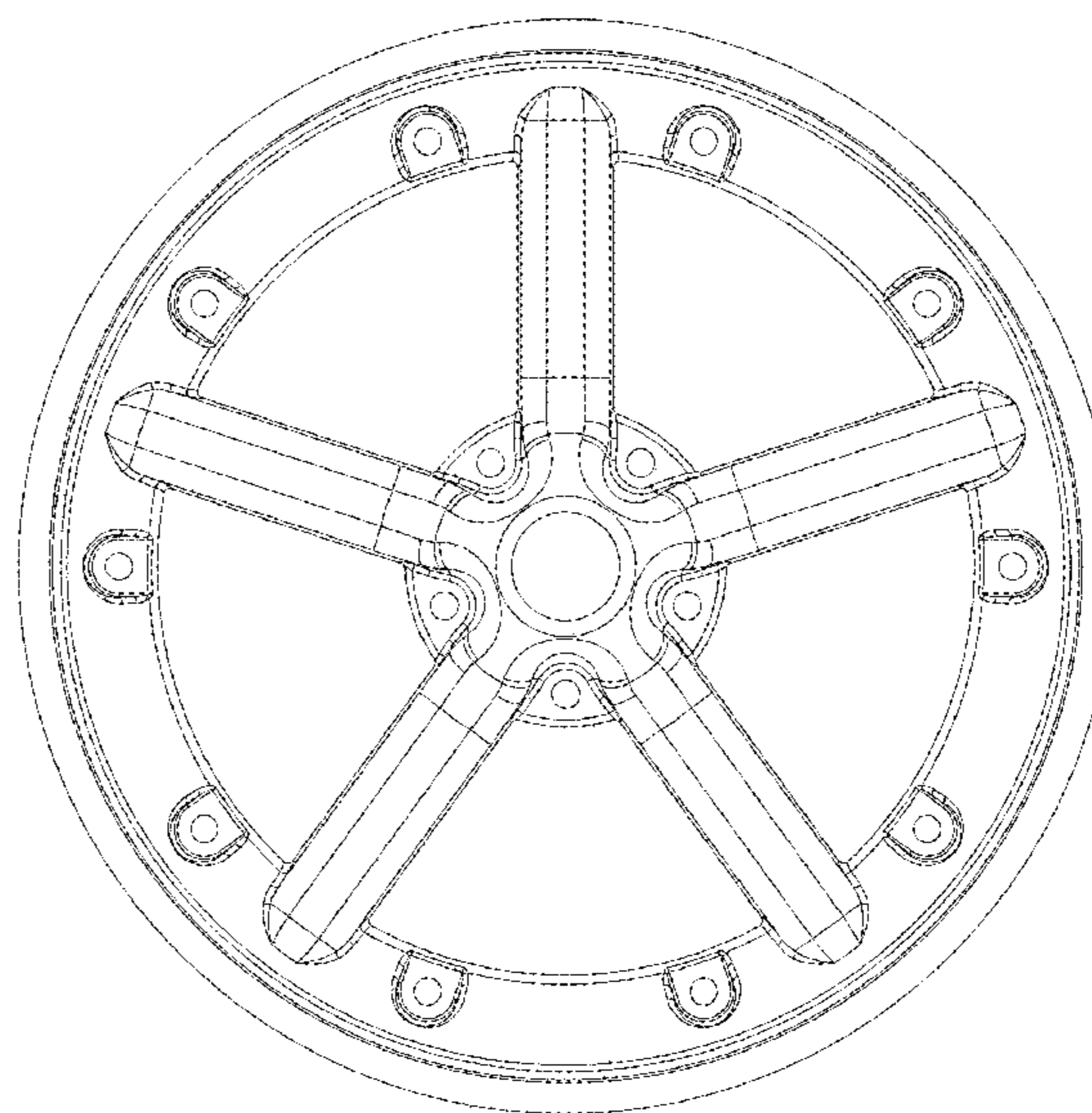
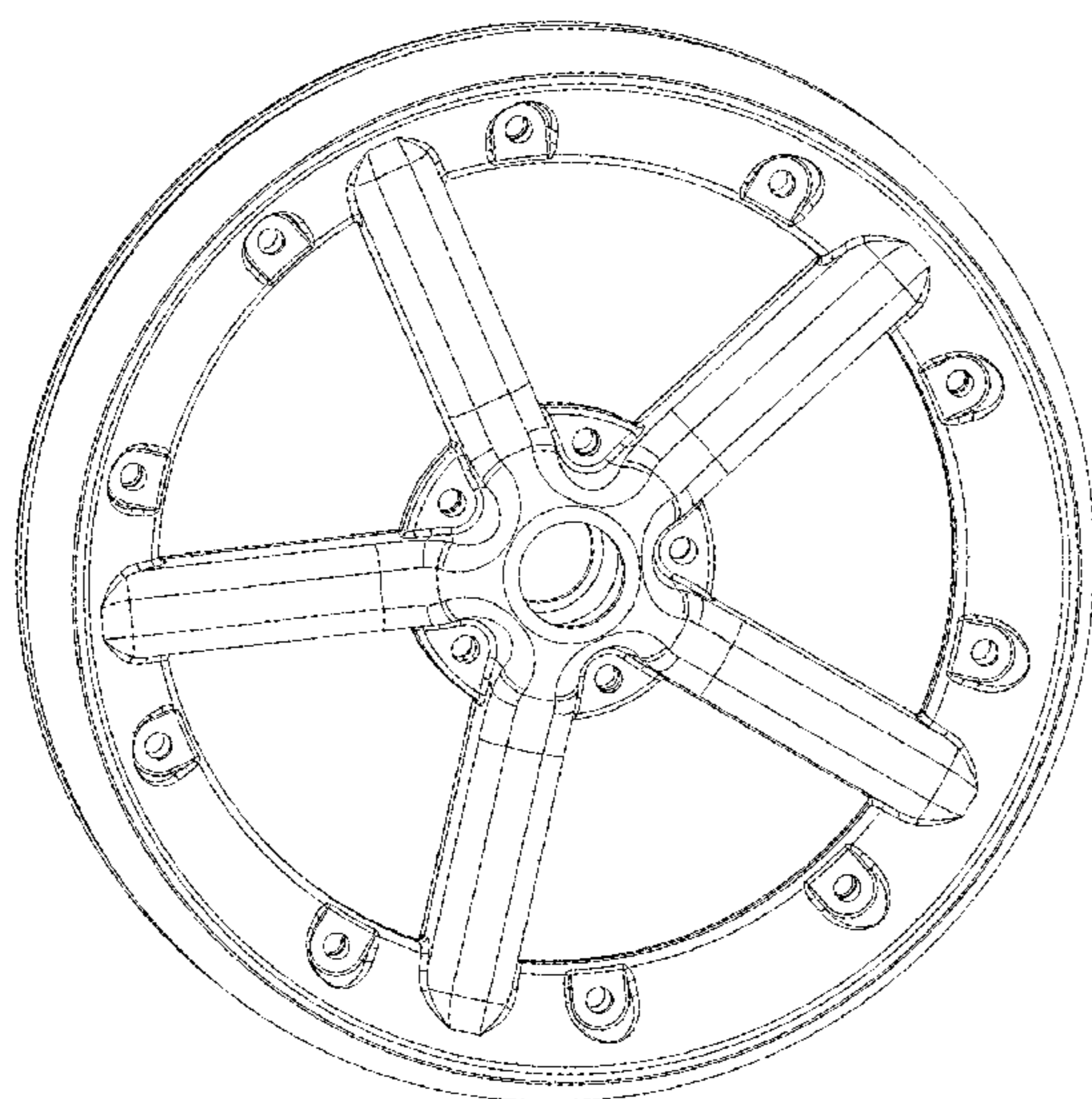
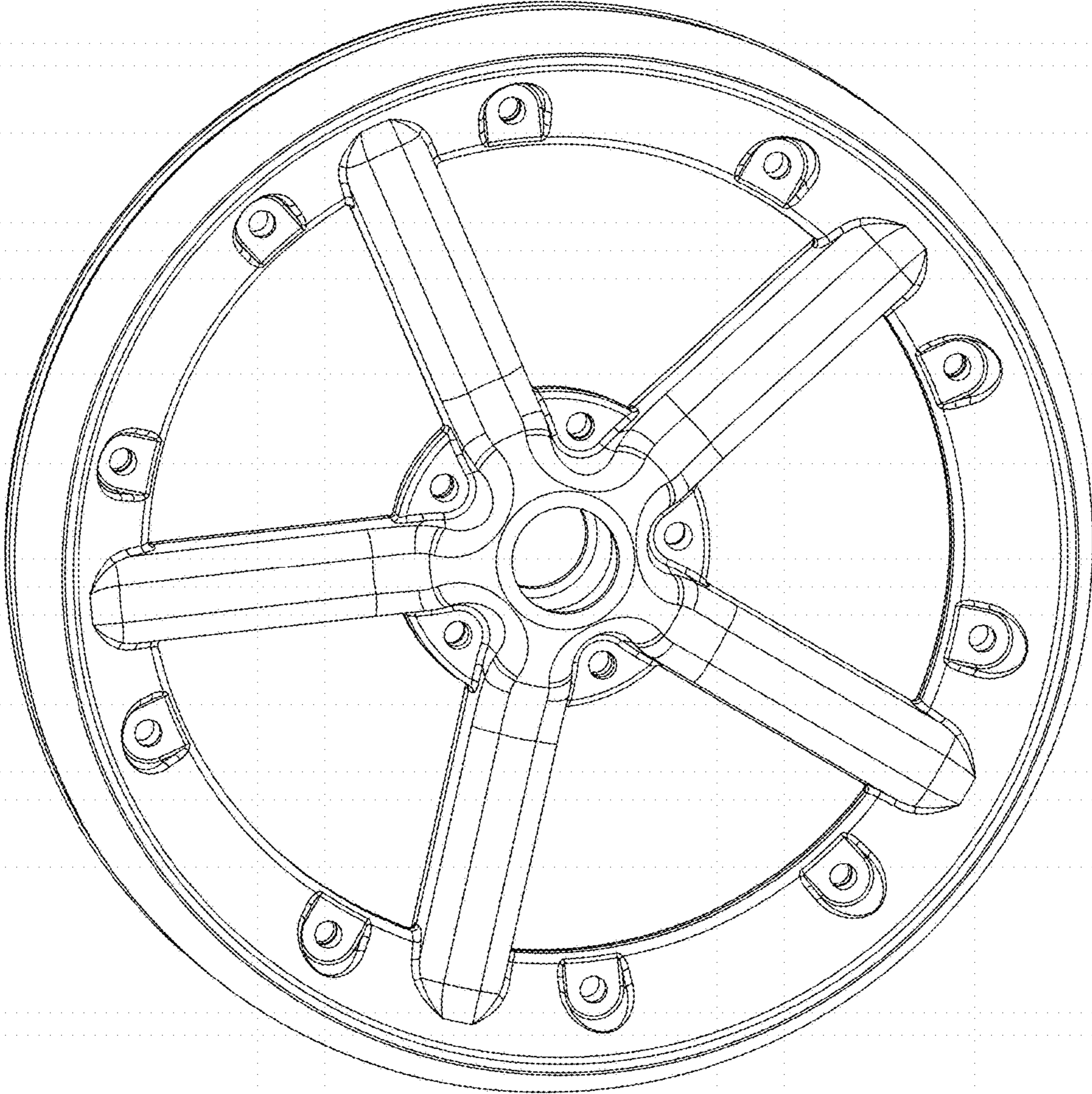


Fig. 1



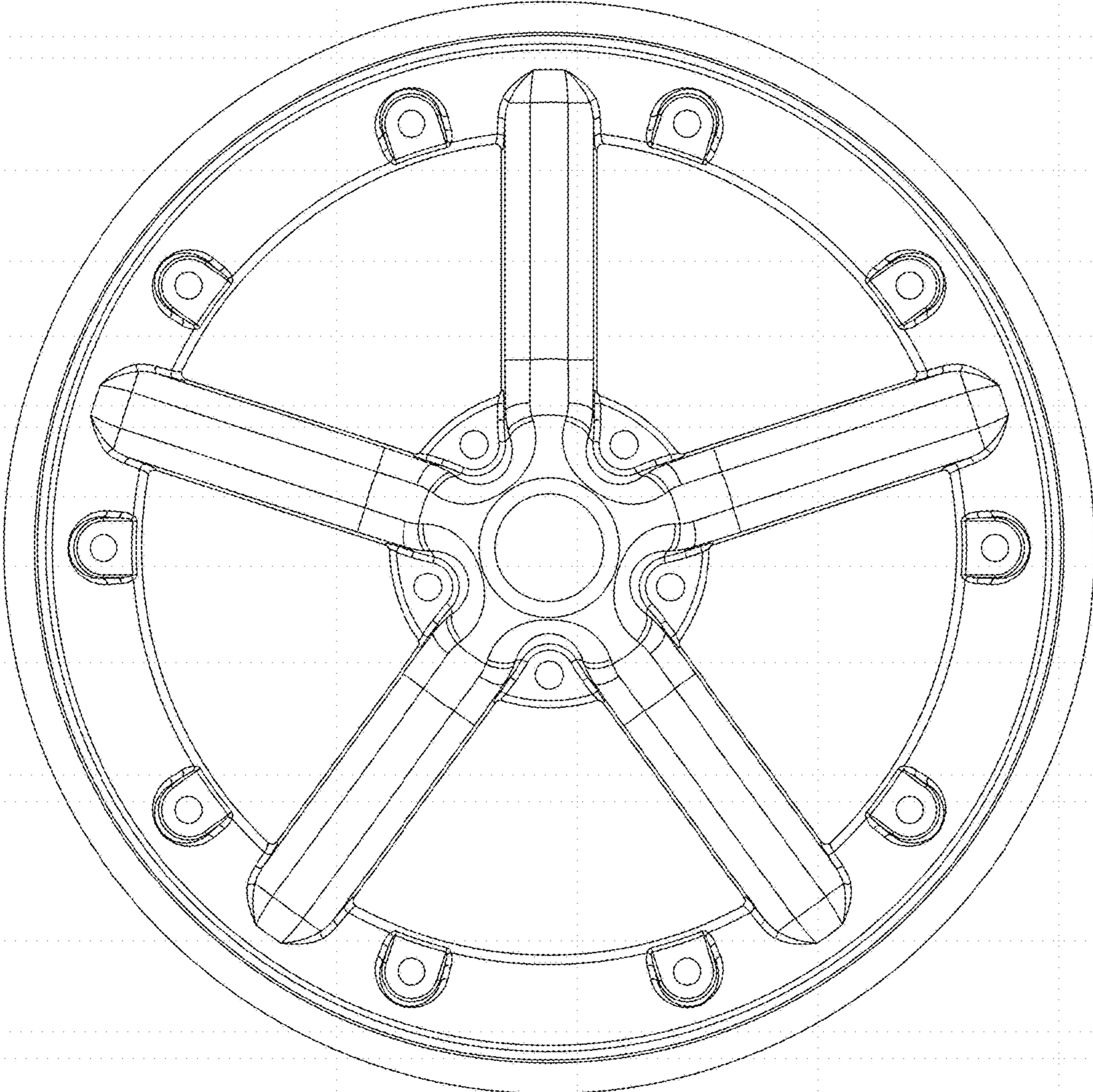


Fig. 2

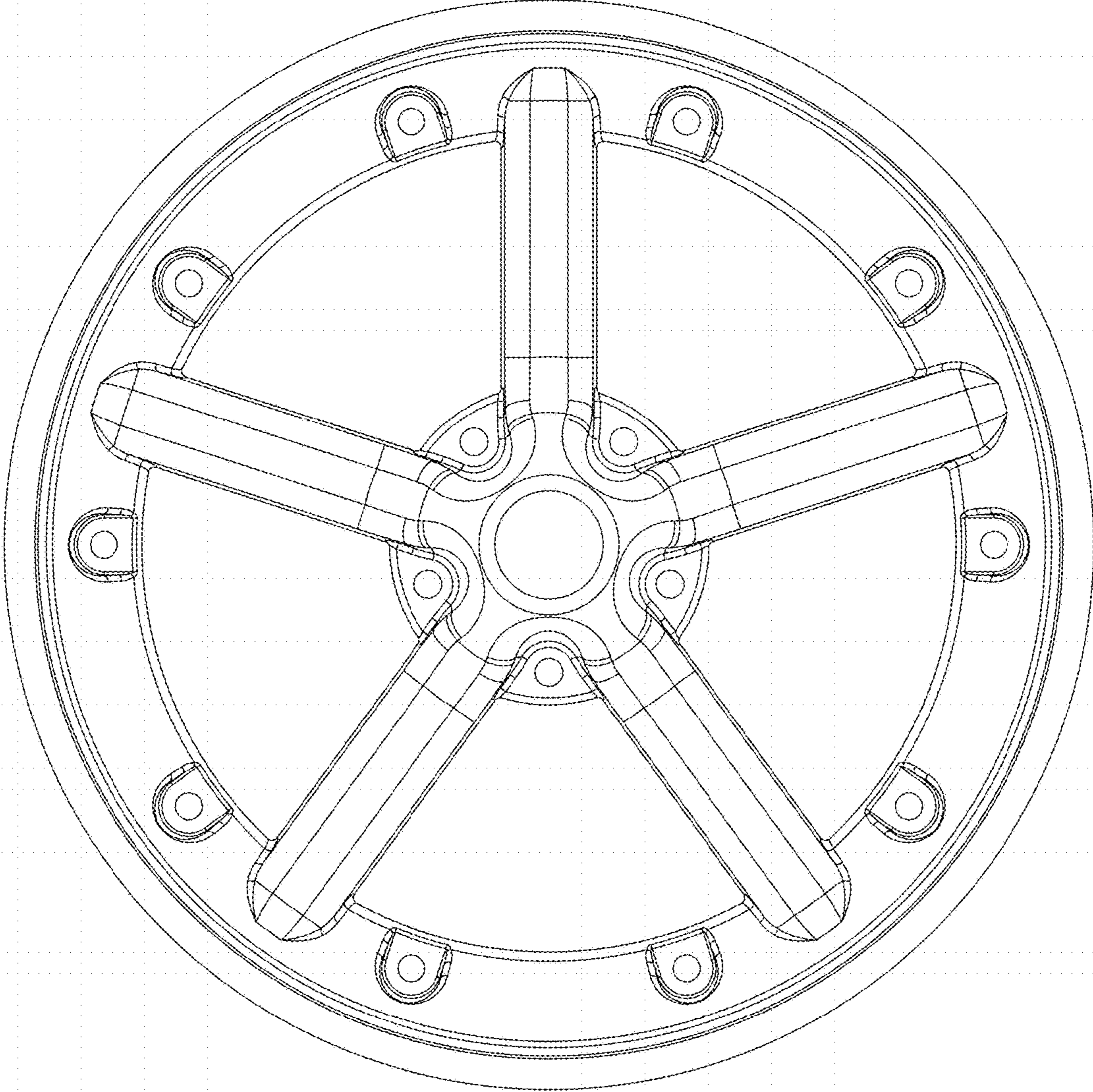


Fig. 3

Fig. 4

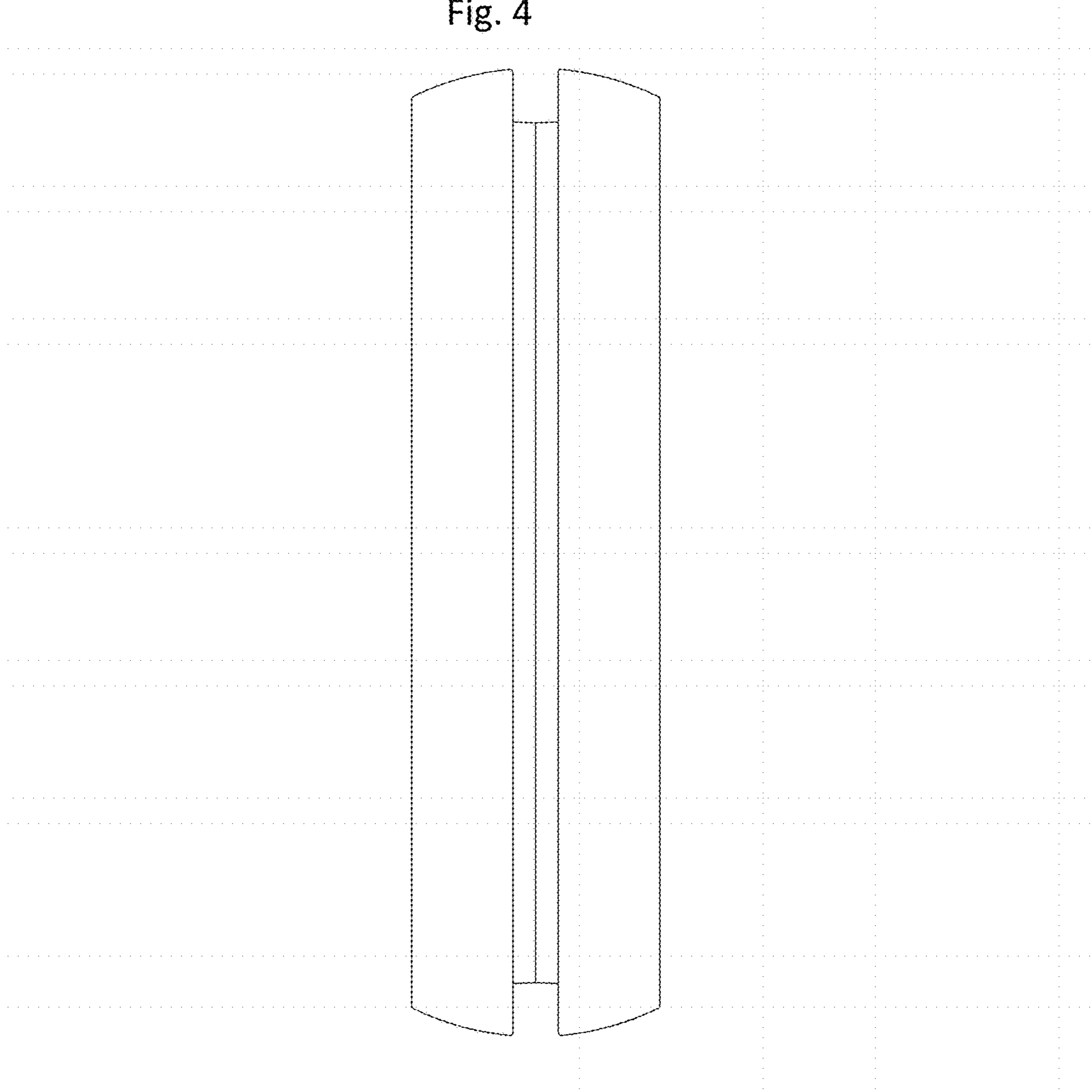


Fig. 5

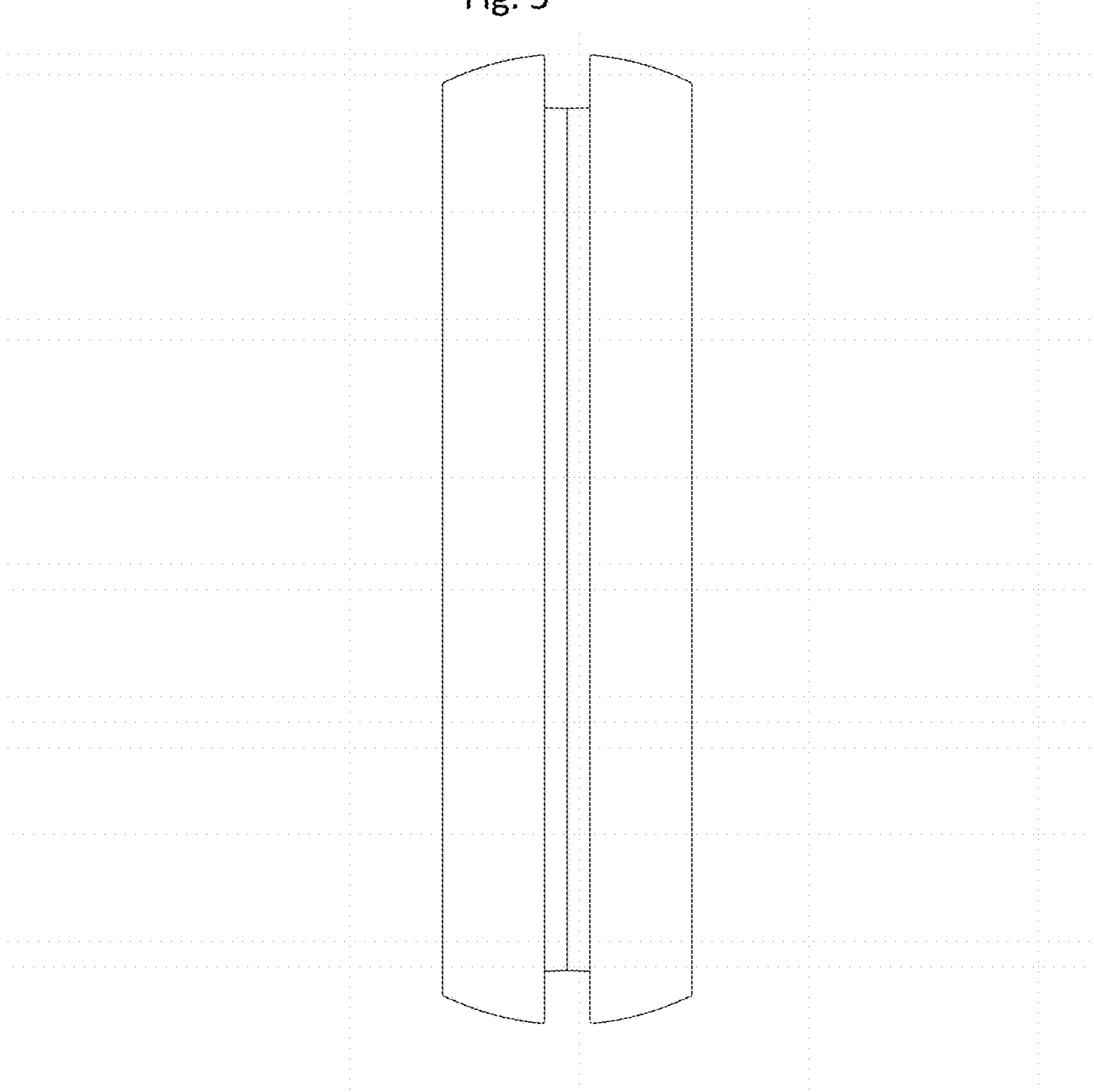


Fig. 6

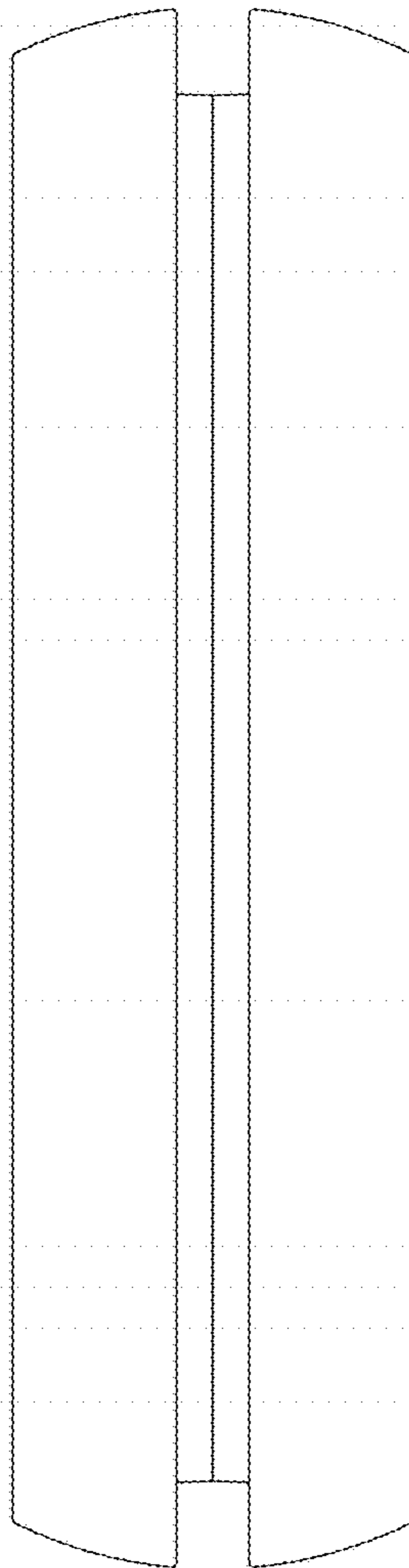


Fig. 7

