



US00D847721S

(12) **United States Design Patent** (10) **Patent No.:** **US D847,721 S**  
**Chung** (45) **Date of Patent:** **\*\* May 7, 2019**

(54) **AUTOMOTIVE WHEEL**  
(71) Applicant: **Design Infini, Inc.**, Anaheim, CA (US)  
(72) Inventor: **Suny Chung**, Anaheim, CA (US)  
(73) Assignee: **Design Infini, Inc.**, Corona, CA (US)  
(\*\*) Term: **15 Years**  
(21) Appl. No.: **29/581,168**  
(22) Filed: **Oct. 17, 2016**  
(51) **LOC (11) Cl.** ..... **12-16**  
(52) **U.S. Cl.**  
USPC ..... **D12/211**  
(58) **Field of Classification Search**  
USPC ..... D12/204–213  
CPC .... B60B 7/00; B60B 7/02; B60B 7/04; B60B  
7/01; B60B 7/06; B60B 3/02; B60B 3/04;  
B60B 3/06; B60B 3/10; B60B 1/00;  
B60B 1/08; B60B 1/10; B60B 1/12  
See application file for complete search history.

(56) **References Cited**  
U.S. PATENT DOCUMENTS  
D597,012 S \* 7/2009 Chung ..... D12/211  
D702,172 S \* 4/2014 Chung ..... D12/211  
D704,616 S \* 5/2014 Chung ..... D12/211  
D704,617 S \* 5/2014 Chung ..... D12/211  
D742,293 S \* 11/2015 Chung ..... D12/211  
D764,375 S \* 8/2016 Chung ..... D12/211  
D787,407 S \* 5/2017 Chung ..... D12/211

\* cited by examiner

*Primary Examiner* — Stacia A Cadmus  
(74) *Attorney, Agent, or Firm* — Knobbe, Martens, Olson & Bear, LLP

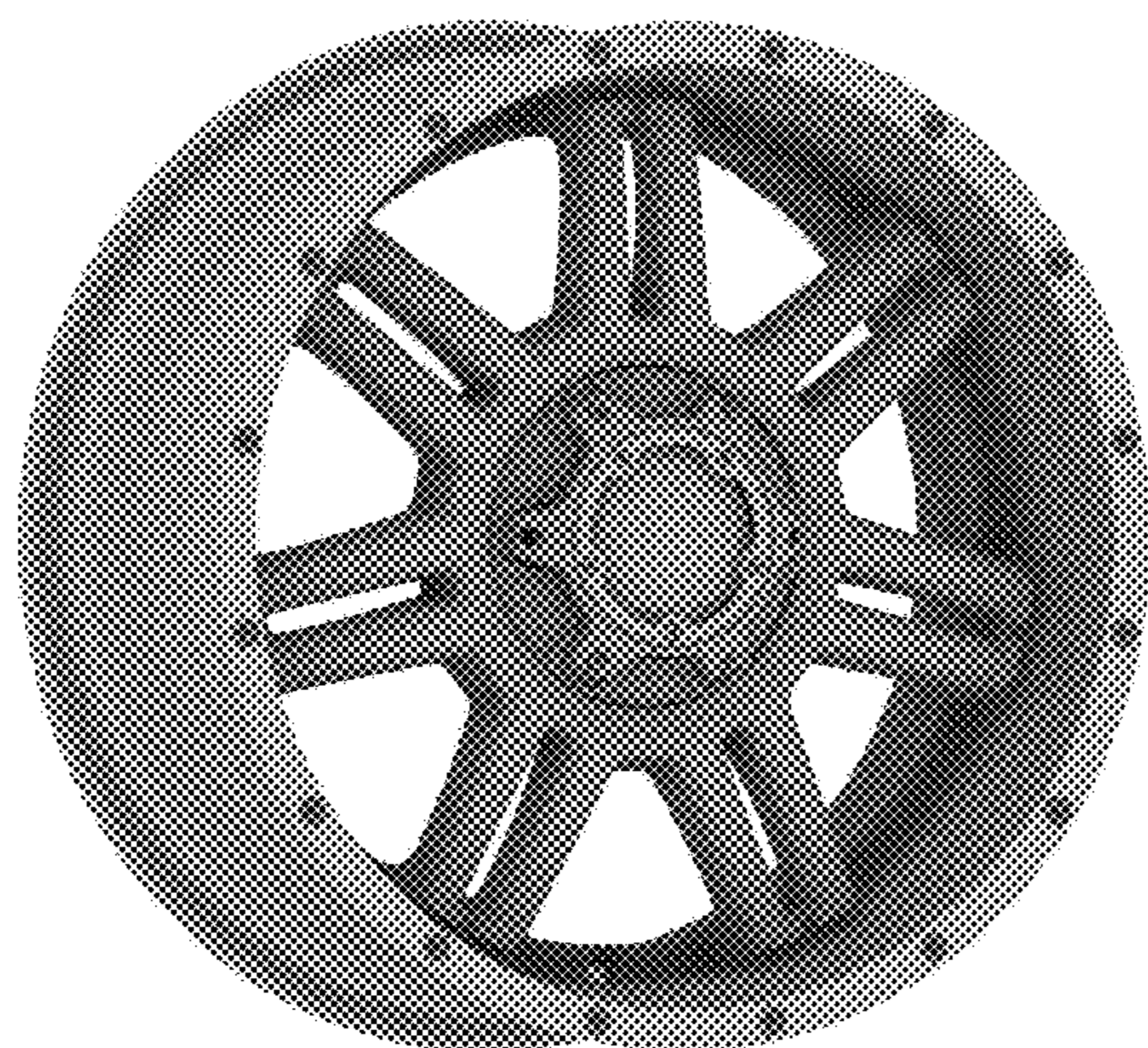
(57) **CLAIM**

The ornamental design for an automotive wheel, as shown and described.

**DESCRIPTION**

FIG. 1 is a perspective view of an automotive wheel embodying my new design  
FIG. 2 is another perspective view thereof; and  
FIG. 3 is a front view thereof.  
FIG. 4 is a perspective view of an automotive wheel embodying my new design, according to a second embodiment;  
FIG. 5 is another perspective view thereof; and  
FIG. 6 is a front view thereof.  
FIG. 7 is a perspective view of an automotive wheel embodying my new design, according to a third embodiment;  
FIG. 8 is another perspective view thereof; and  
FIG. 9 is a front view thereof.  
FIG. 10 is a perspective view of an automotive wheel embodying my new design, according to a fourth embodiment;  
FIG. 11 is another perspective view thereof; and  
FIG. 12 is a front view thereof; and,  
FIG. 13 is a side view of the automotive wheel in FIGS. 1-12.

**1 Claim, 13 Drawing Sheets**



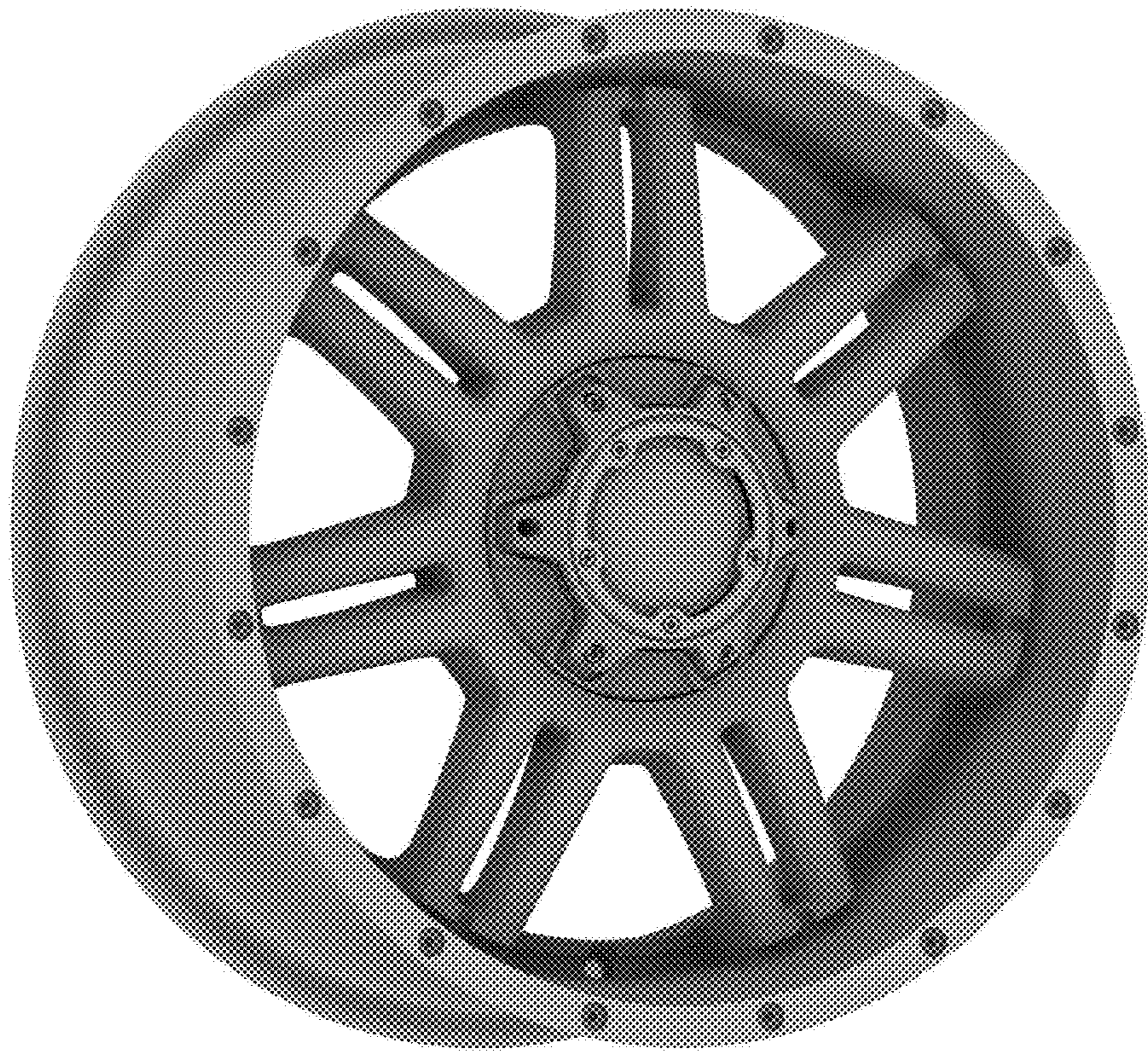


FIGURE 1



FIGURE 2

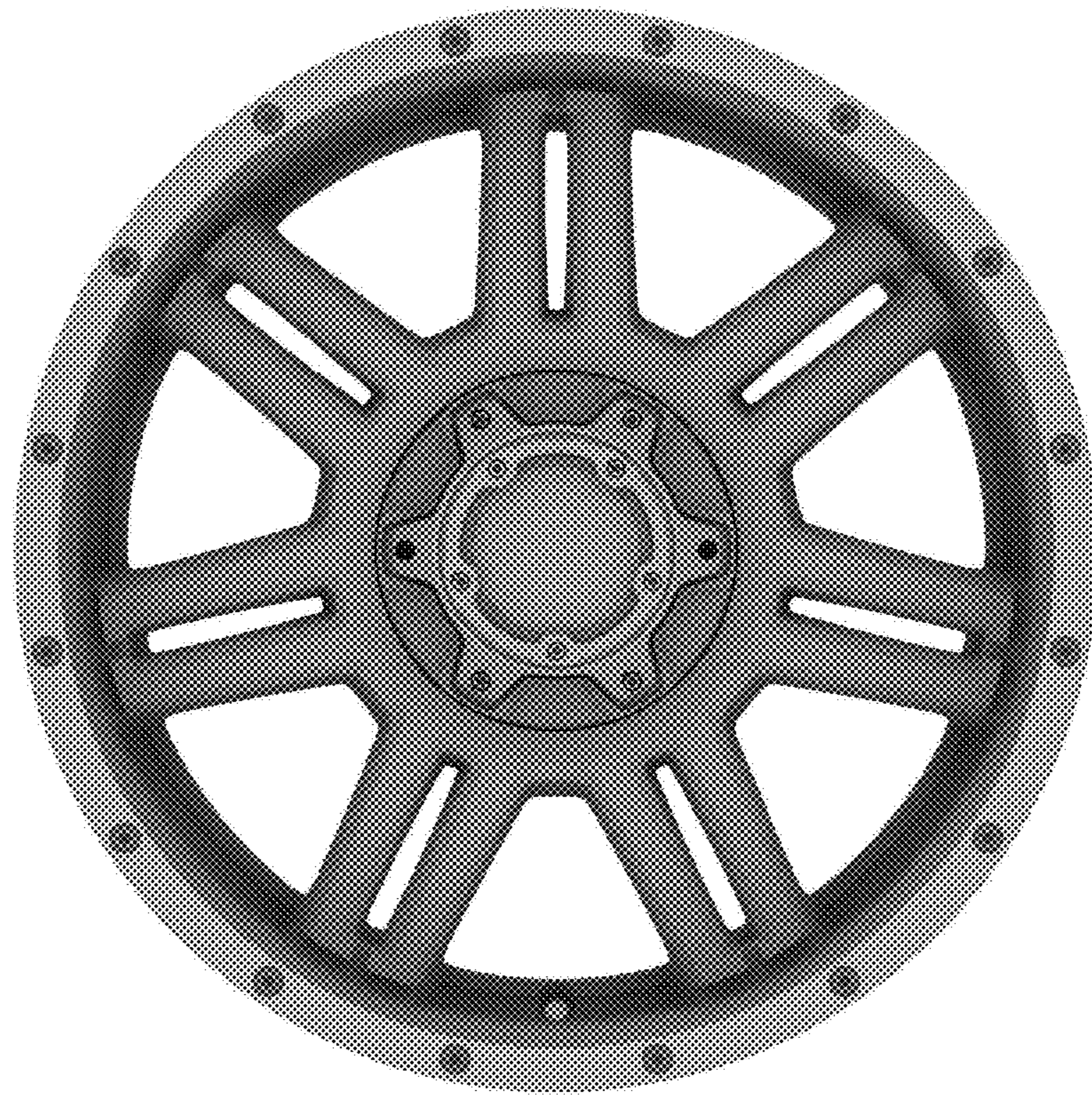


FIGURE 3

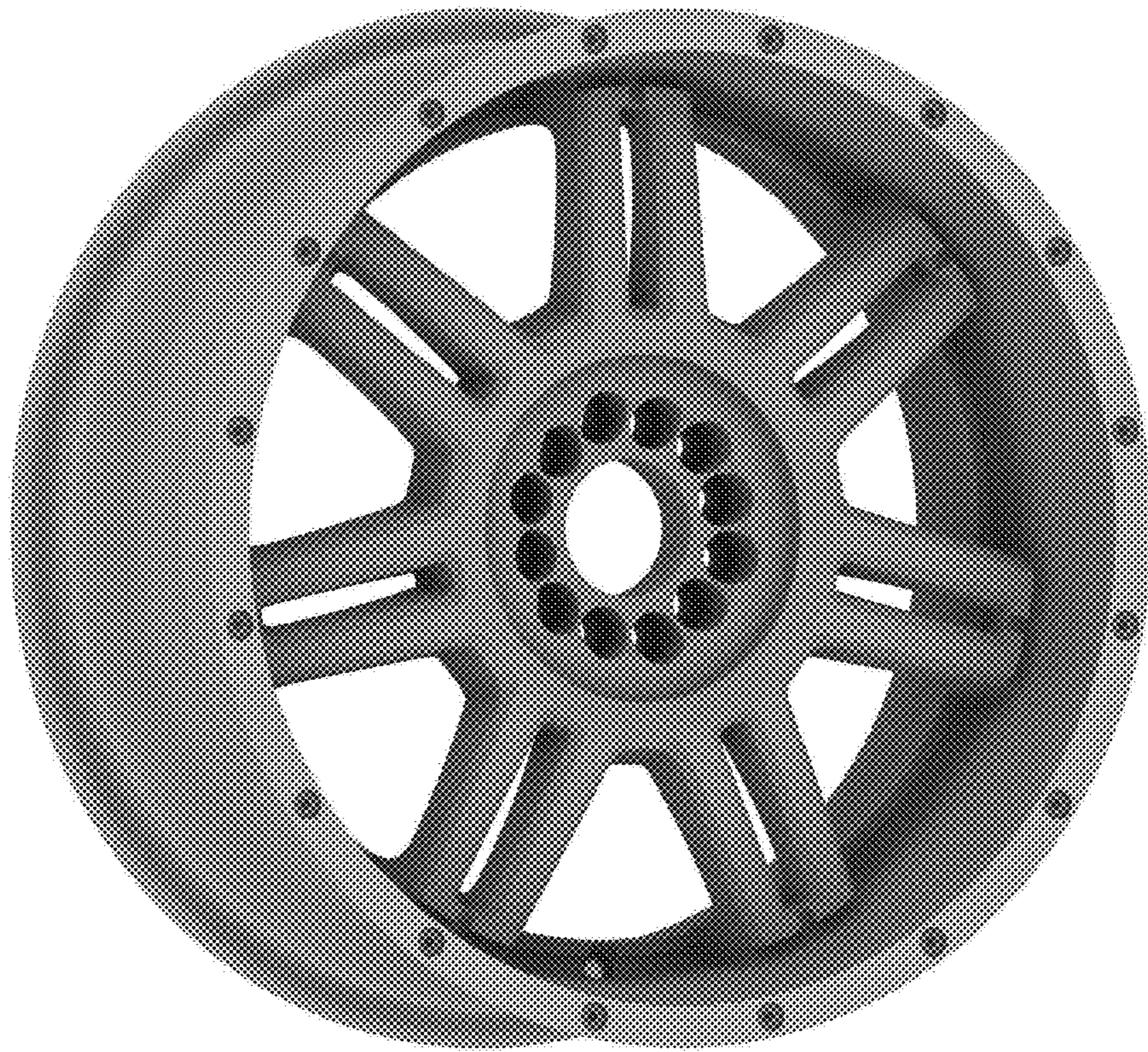


FIGURE 4

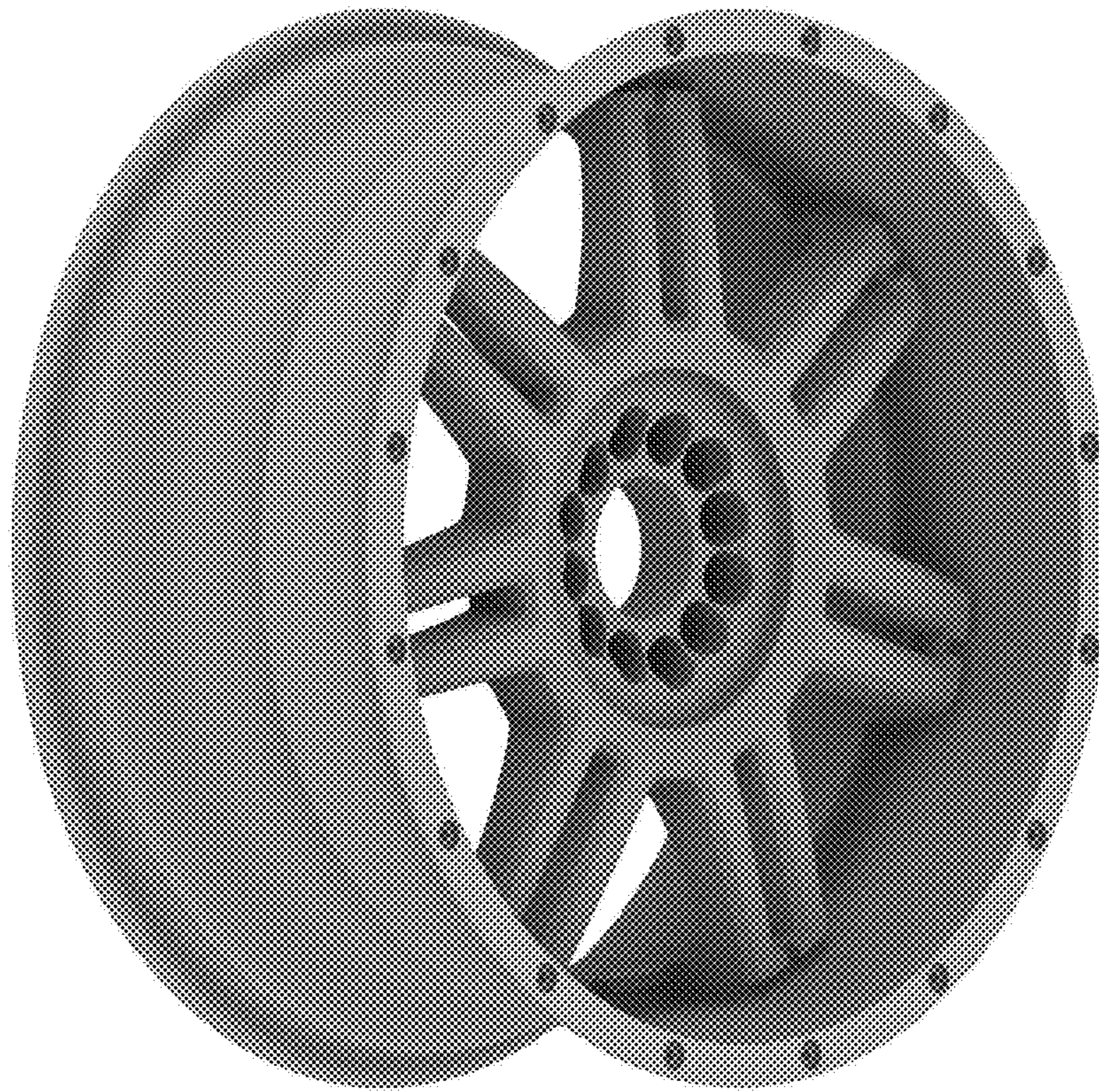


FIGURE 5



FIGURE 6



FIGURE 7





FIGURE 8



FIGURE 9

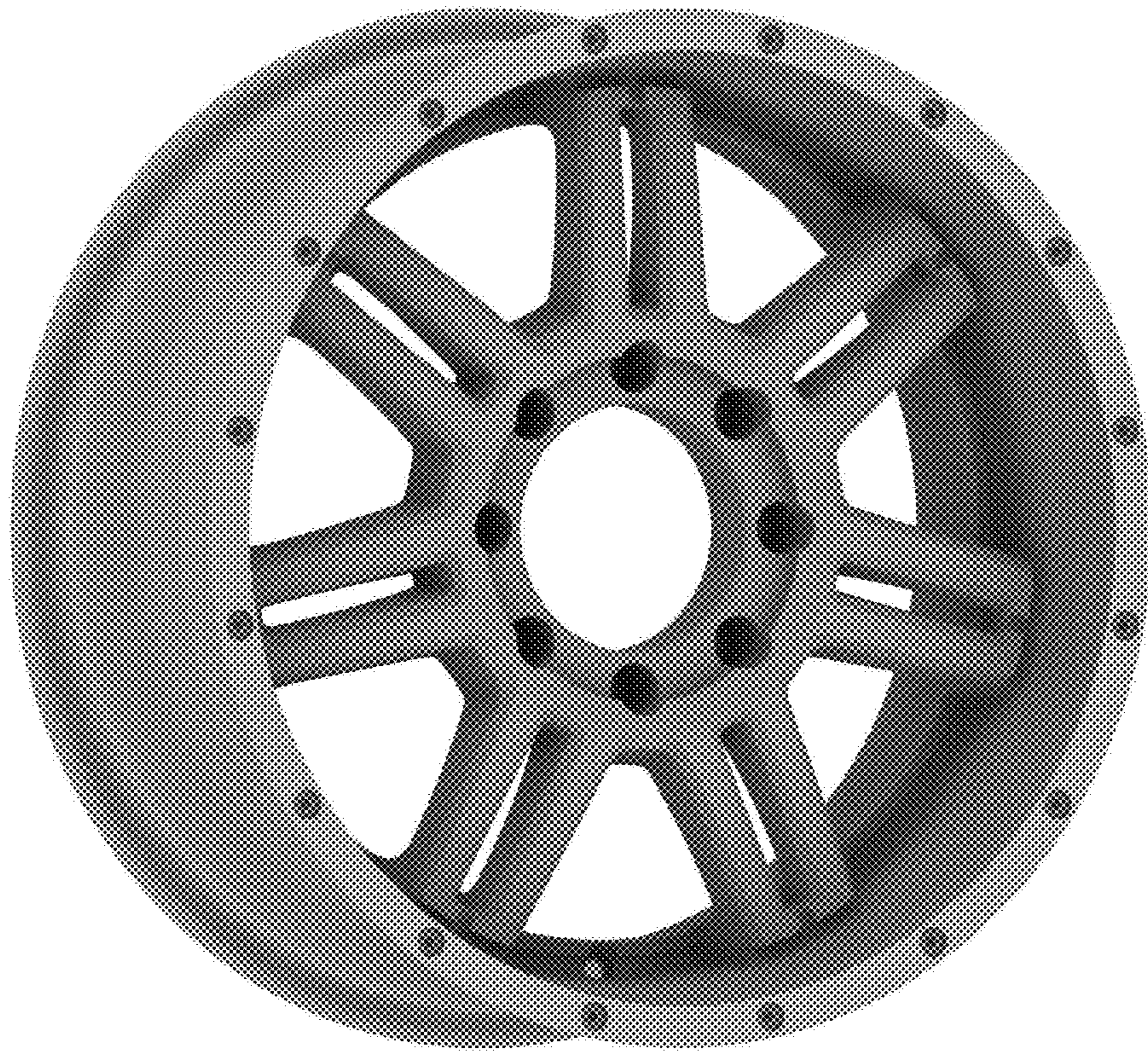


FIGURE 10

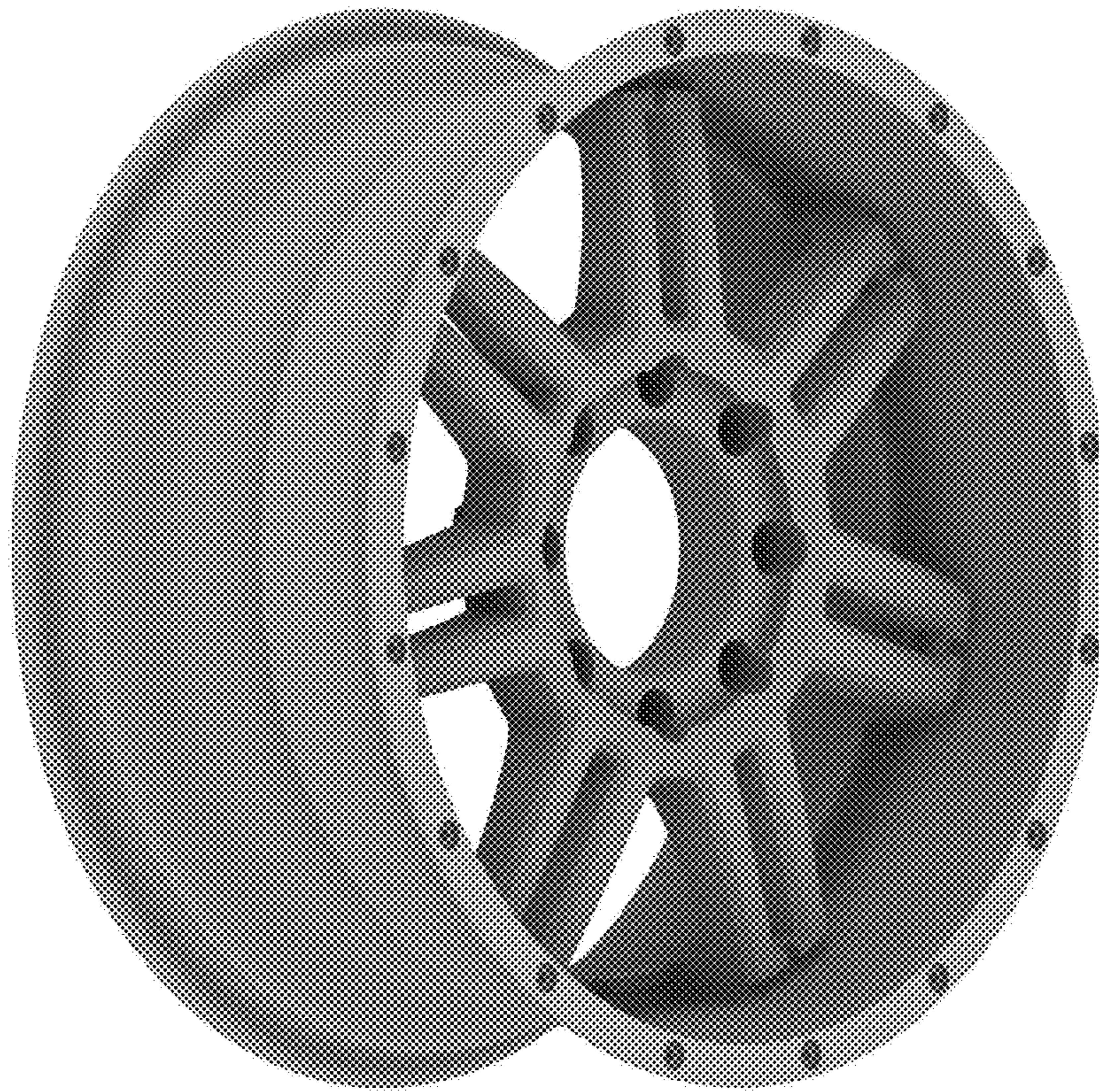


FIGURE 11



FIGURE 12

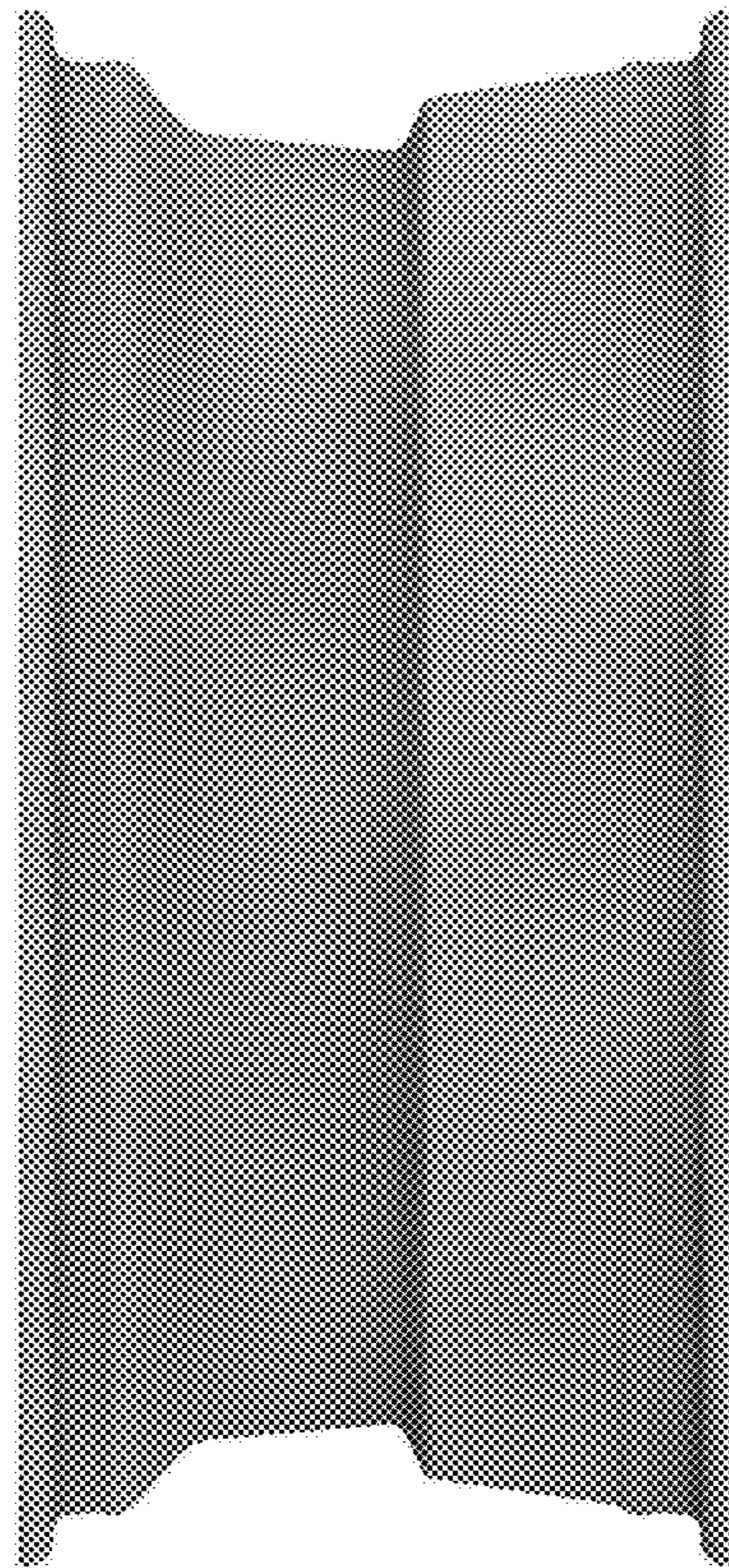


FIGURE 13