



US00D847716S

(12) **United States Design Patent** (10) **Patent No.:** **US D847,716 S**
Kim et al. (45) **Date of Patent:** **** May 7, 2019**

(54) **VEHICLE RUNNING BOARD**
(71) Applicants: **Eric Kim**, Anaheim, CA (US); **Bryan Furumoto**, Anaheim, CA (US); **John Rider**, Mission Viejo, CA (US)
(72) Inventors: **Eric Kim**, Anaheim, CA (US); **Bryan Furumoto**, Anaheim, CA (US); **John Rider**, Mission Viejo, CA (US)
(**) Term: **15 Years**
(21) Appl. No.: **29/586,966**
(22) Filed: **Dec. 8, 2016**
(51) **LOC (11) Cl.** **12-16**
(52) **U.S. Cl.**
USPC **D12/203**
(58) **Field of Classification Search**
USPC D12/203, 89, 98, 314, 162, 190, 196
CPC .. B60R 3/002; B60R 3/02; B60R 3/00; B60R 3/005; B60R 3/007
See application file for complete search history.

D588,514 S * 3/2009 Kudelko D12/203
D596,098 S * 7/2009 Huang-Tsai D12/203
D632,627 S * 2/2011 Huang-Tsai D12/203
D665,713 S * 8/2012 Pochurek D12/203
D671,874 S * 12/2012 Kekich, Jr. D12/203
D676,368 S * 2/2013 Cover D12/203
8,641,068 B1 * 2/2014 Bundy B60R 3/00
280/163
D720,674 S * 1/2015 Stanesic D12/203
D731,384 S * 6/2015 Farr
D737,188 S * 8/2015 Perkins D12/203
D757,622 S * 5/2016 Wolf D12/203
9,333,919 B2 * 5/2016 Crandall B60Q 1/323

* cited by examiner

Primary Examiner — Michelle E. Wilson
Assistant Examiner — Clese Moore, Jr.
(74) *Attorney, Agent, or Firm* — Advantage IP Law Firm

(57) **CLAIM**

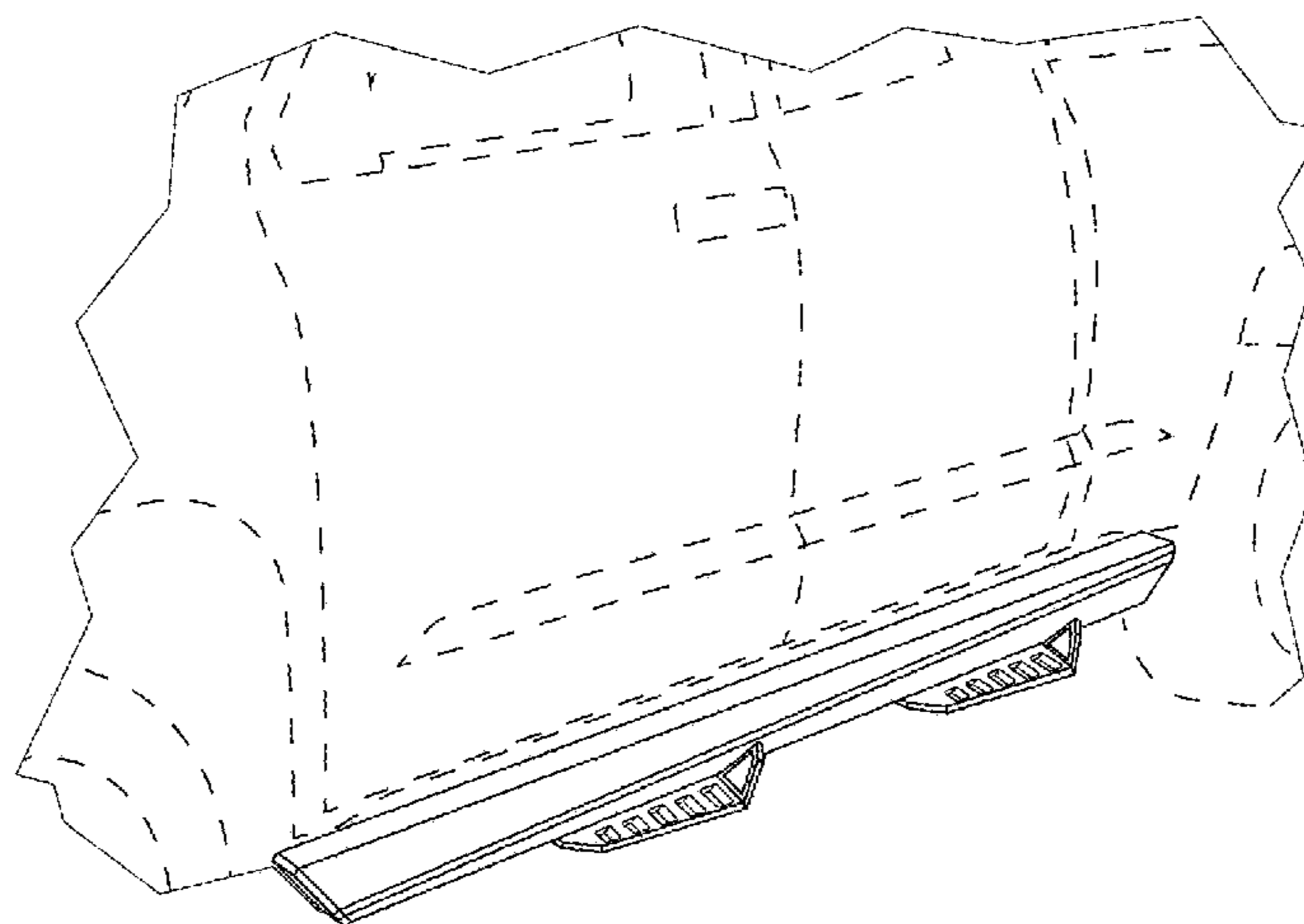
The ornamental design for a vehicle running board, as shown and described.

DESCRIPTION

FIG. 1 is an upper perspective view of a vehicle running board shown attached to an exemplary vehicle portion illustrating our new design;
FIG. 2 is a right outboard view thereof;
FIG. 3 is a left inboard view thereof;
FIG. 4 is a top view thereof;
FIG. 5 is a bottom view thereof;
FIG. 6 is a front view thereof; and,
FIG. 7 is a rear view thereof.
All dashed lines are for environmental purposes only and form no part of the claimed design.

1 Claim, 4 Drawing Sheets

(56) **References Cited**
U.S. PATENT DOCUMENTS
D340,905 S * 11/1993 Orth, Sr. D12/203
D349,679 S * 8/1994 Waddington D12/203
D361,973 S * 9/1995 Hornik D12/203
D400,149 S * 10/1998 Zentner D12/203
D400,151 S * 10/1998 Zentner D12/203
D400,485 S * 11/1998 Zentner D12/203
D495,646 S * 9/2004 Elwell D12/203
D513,725 S * 1/2006 Metros D12/203
D535,928 S * 1/2007 Crandall D12/203
D536,651 S * 2/2007 Polka D12/203
D568,222 S * 5/2008 Storer D12/203



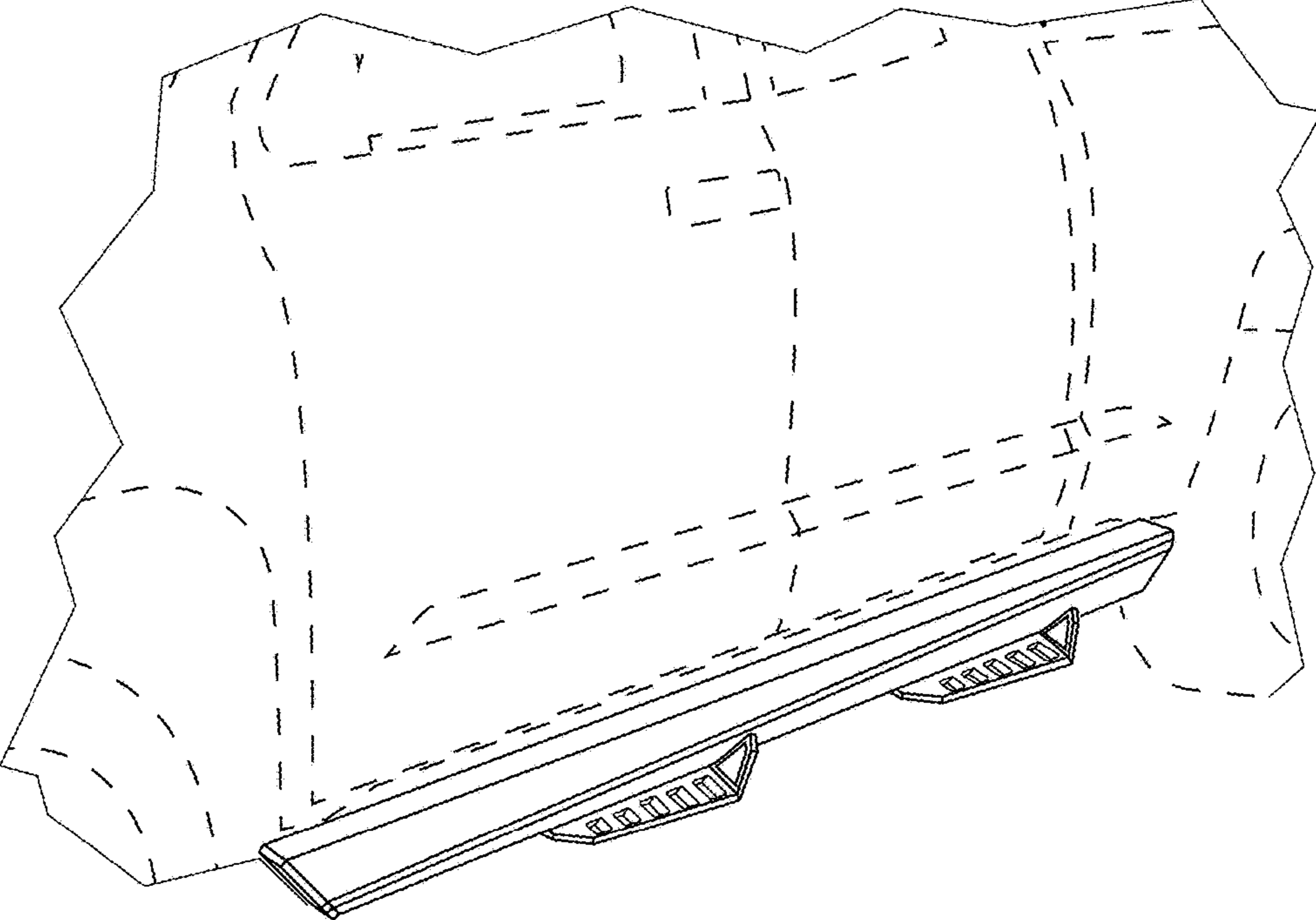


FIG. 1

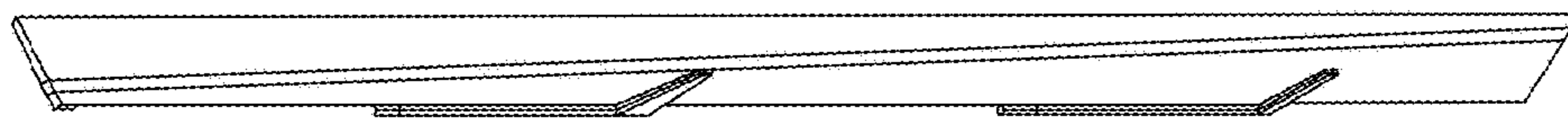


FIG. 2

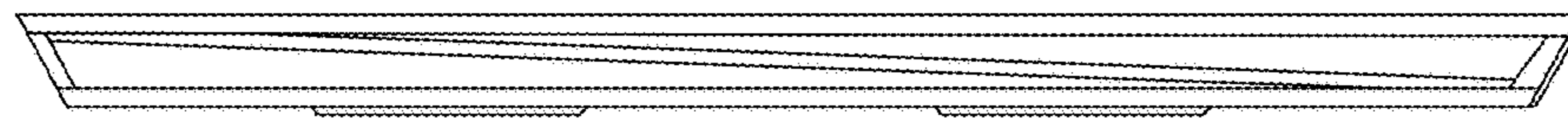


FIG. 3

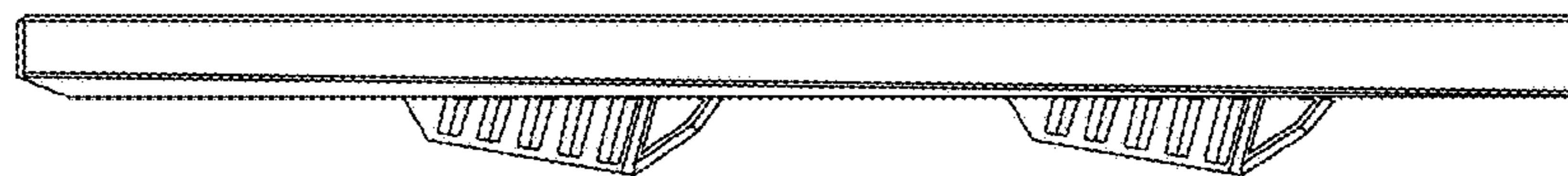


FIG. 4

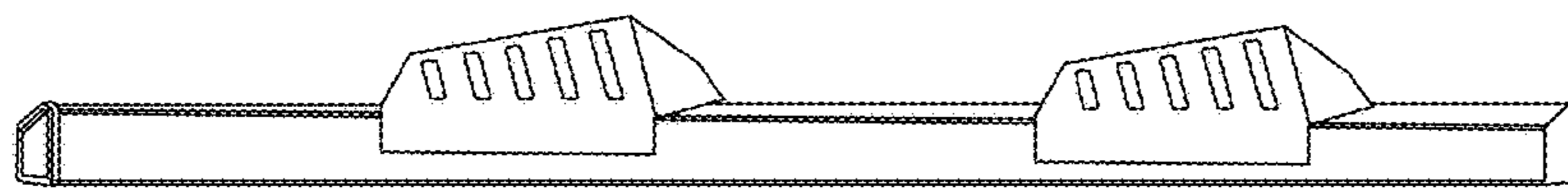


FIG. 5

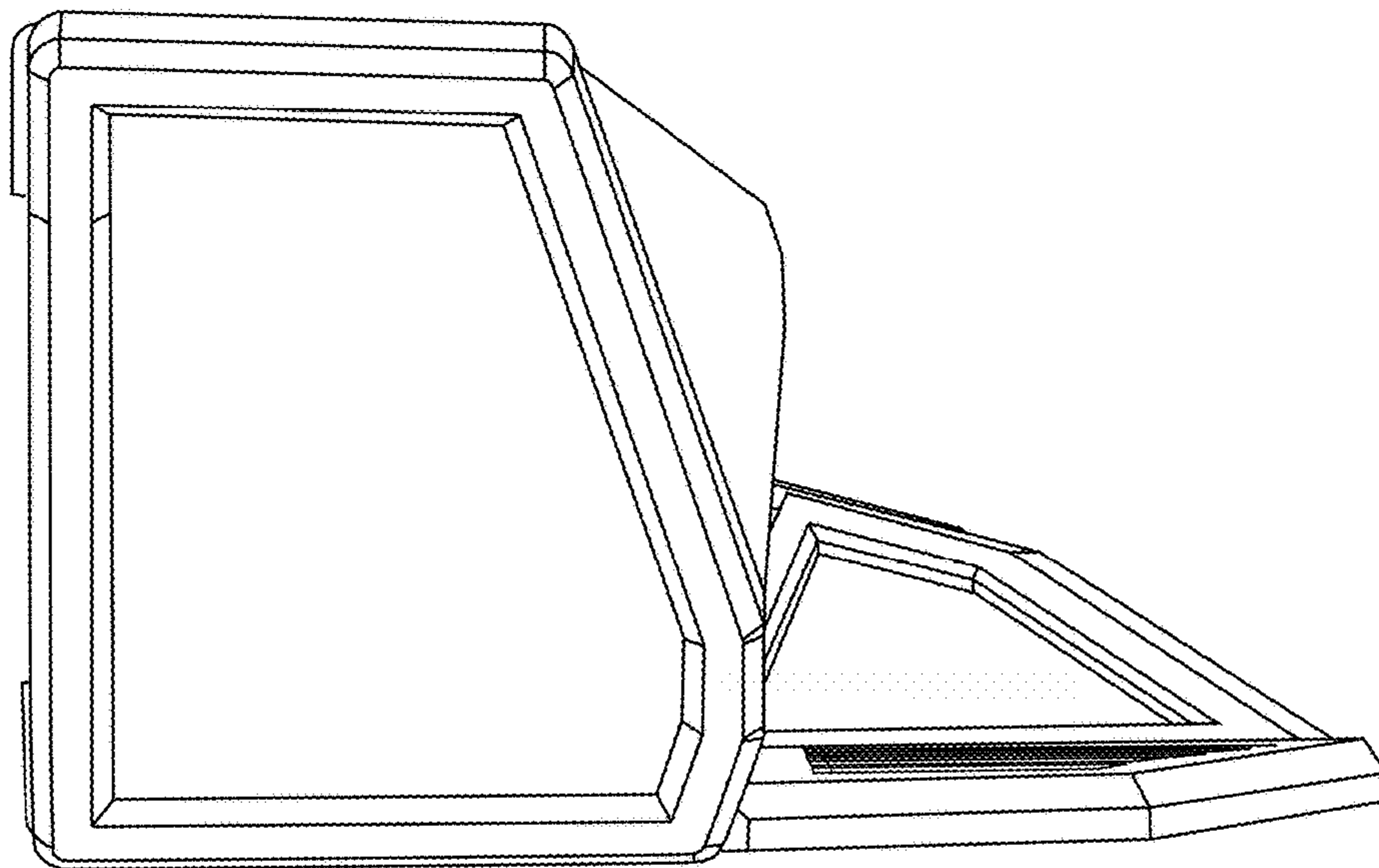


FIG. 6

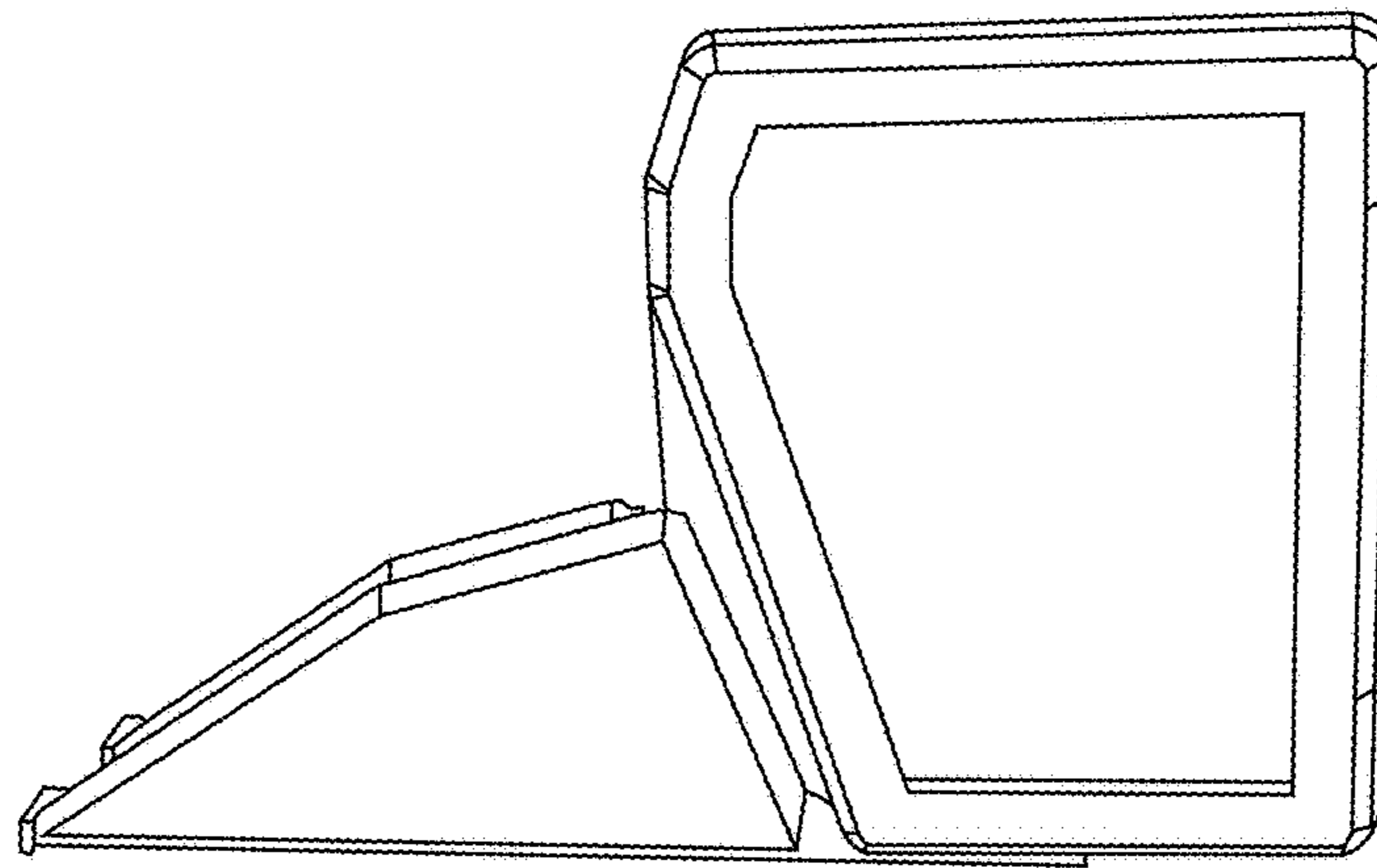


FIG. 7