



US00D847715S

(12) **United States Design Patent** (10) **Patent No.:** **US D847,715 S**  
**Von Holzhausen et al.** (45) **Date of Patent:** **\*\* May 7, 2019**

(54) **DOOR**  
(71) Applicant: **Tesla, Inc.**, Palo Alto, CA (US)  
(72) Inventors: **Franz Von Holzhausen**, Malibu, CA (US); **David Tadashi Imai**, Los Angeles, CA (US); **Randy Rodriguez**, Torrance, CA (US)  
(73) Assignee: **Tesla, Inc.**, Palo Alto, CA (US)  
(\*\*) Term: **15 Years**  
(21) Appl. No.: **29/619,062**  
(22) Filed: **Sep. 26, 2017**  
(51) **LOC (11) Cl.** ..... **12-16**  
(52) **U.S. Cl.**  
USPC ..... **D12/196**  
(58) **Field of Classification Search**  
USPC ..... D12/86, 90-92, 190, 192, 196  
CPC . B60J 5/04; B60J 5/0412; B60J 5/0416; B60J 5/0419; B60J 1/08; B60J 1/17  
See application file for complete search history.

D816,004 S \* 4/2018 Milton ..... D12/196  
D822,567 S \* 7/2018 Simm ..... D12/196  
D825,391 S \* 8/2018 Von Holzhausen ..... D12/96  
D825,392 S \* 8/2018 Von Holzhausen ..... D12/96

**OTHER PUBLICATIONS**

<https://www.automobilemag.com/news/teslas-roadster-semi-unveiling-meet-expectations-hype/> Nov. 17, 2017 (Year: 2017).\*  
<https://electrek.co/guides/tesla-semi/> Oct. 3, 2017 (Year: 2017).\*

\* cited by examiner

*Primary Examiner* — Leanne Was-Englehart  
(74) *Attorney, Agent, or Firm* — Haynes and Boone, LLP

(57) **CLAIM**

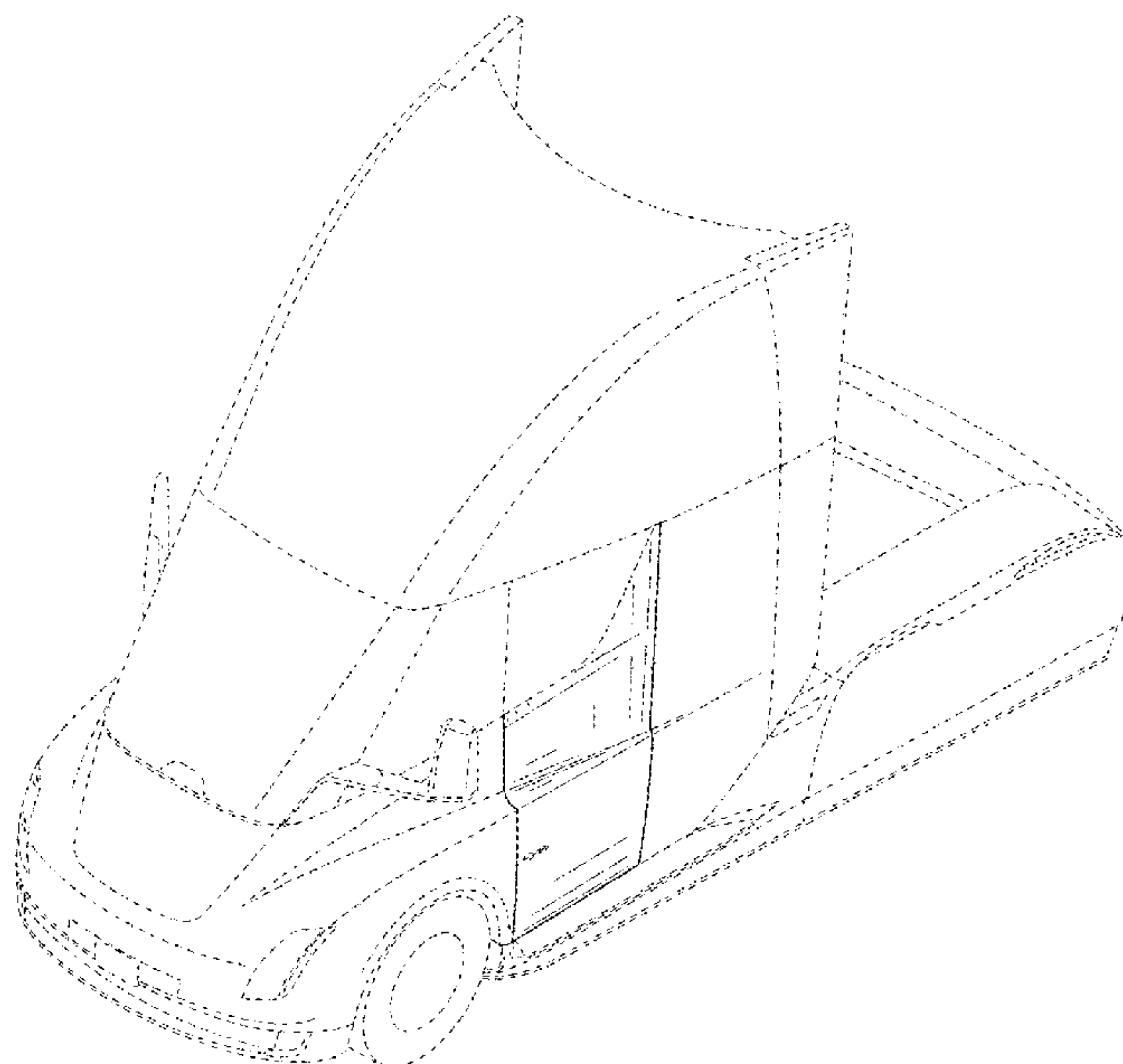
The ornamental design for a door, as shown and described.

**DESCRIPTION**

FIG. 1 is a side perspective view of a door.  
FIG. 2 is a front view of the door of FIG. 1.  
FIG. 3 is a back view of the door of FIG. 1.  
FIG. 4 is a left-side view of the door of FIG. 1.  
FIG. 5 is a right-side view of the door of FIG. 1.  
FIG. 6 is a top view of the door of FIG. 1.  
FIG. 7 is a bottom view of the door of FIG. 1; and,  
FIG. 8 is a perspective view of the door of FIG. 1 shown in the environment of a semi-truck cab. The broken lines showing the semi-truck cab depict an environment that forms no part of the claimed design.  
The items shown with broken lines form no part of the claimed design.

**1 Claim, 6 Drawing Sheets**

(56) **References Cited**  
U.S. PATENT DOCUMENTS  
D315,329 S \* 3/1991 Tisten ..... D12/196  
D367,443 S \* 2/1996 Sacco ..... D12/96  
D416,221 S \* 11/1999 Sutton ..... D12/196  
D490,749 S \* 6/2004 Satou ..... D12/96  
D720,268 S \* 12/2014 Conway ..... D12/196  
D731,383 S \* 6/2015 Ahn ..... D12/196  
D787,402 S \* 5/2017 Luk ..... D12/196  
D814,357 S \* 4/2018 Milton ..... D12/93



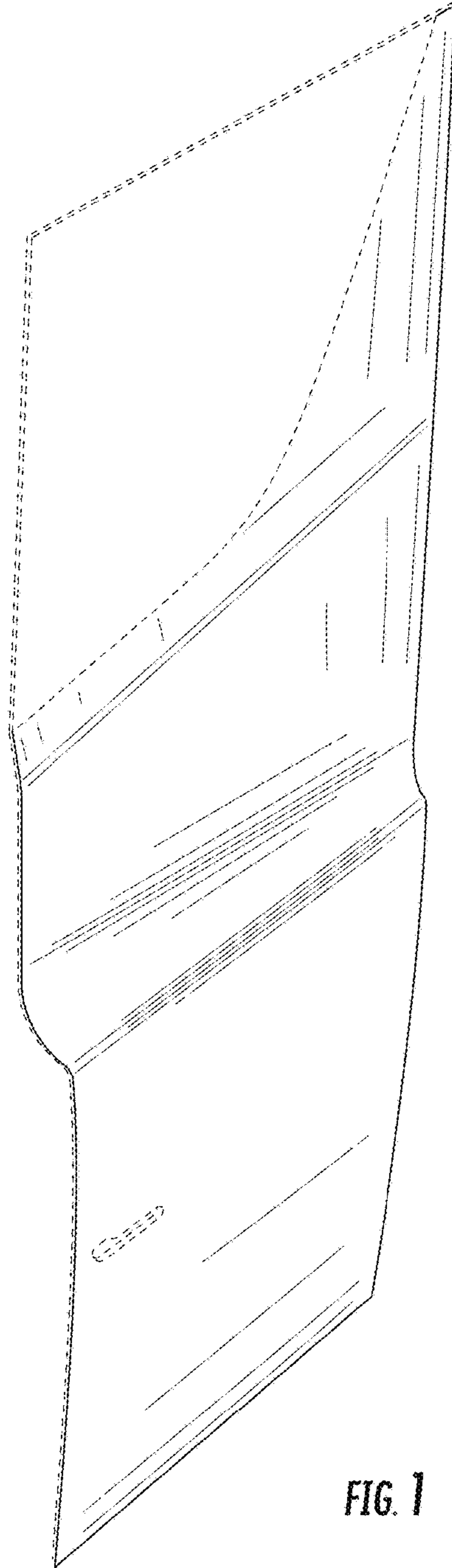


FIG. 1

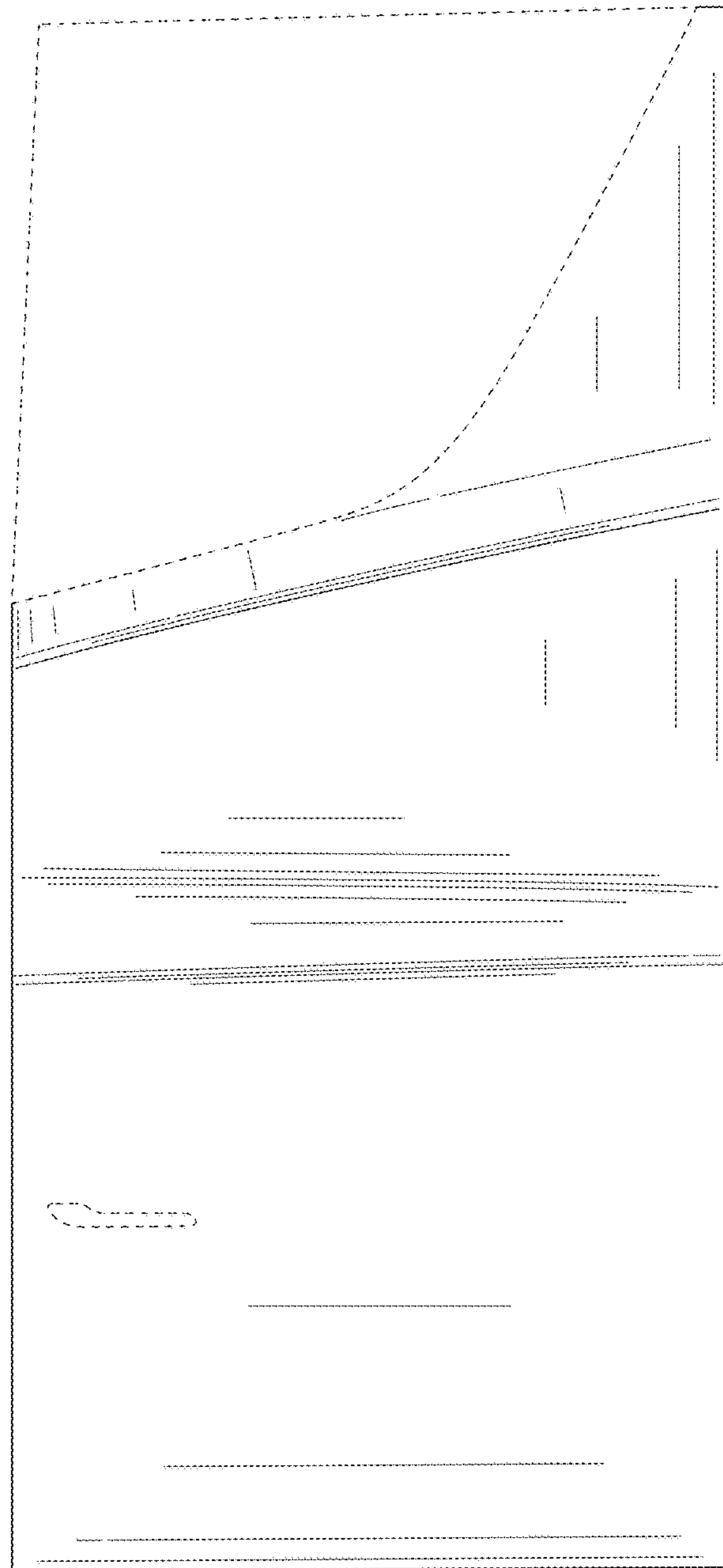
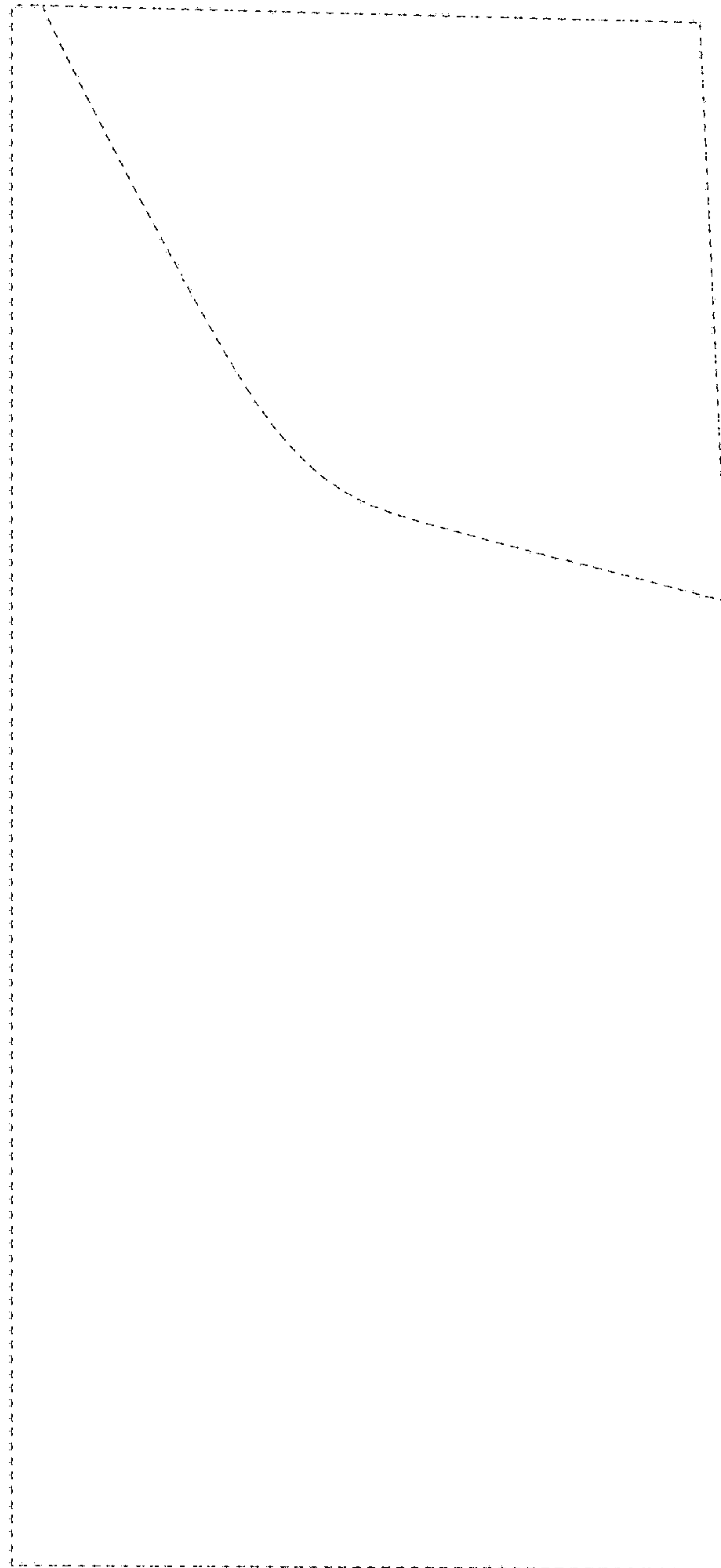


FIG. 2



**FIG. 3**

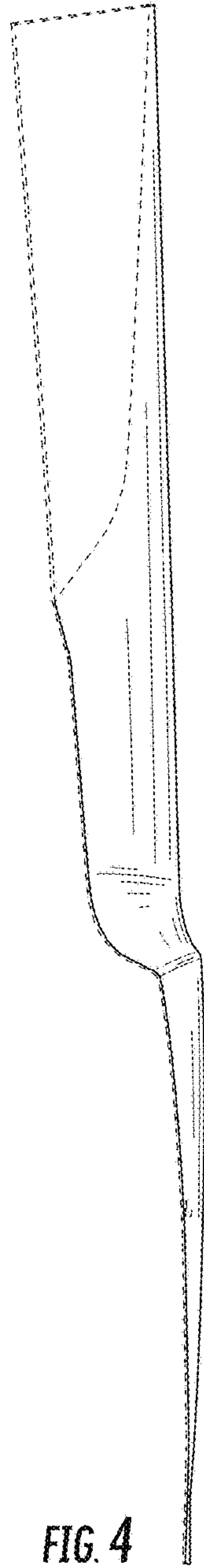


FIG. 4

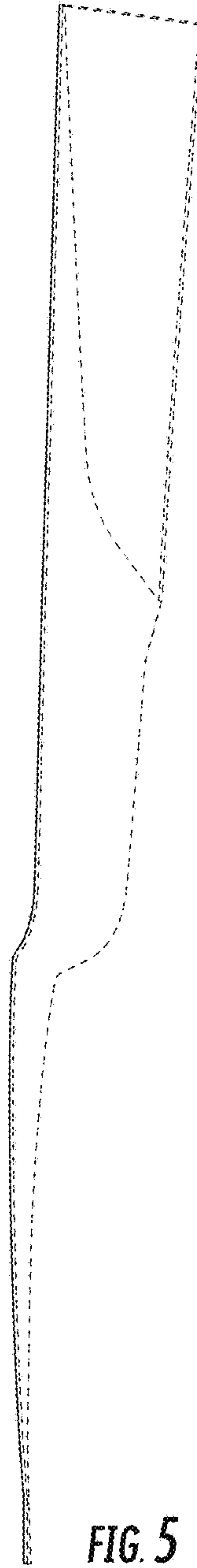


FIG. 5

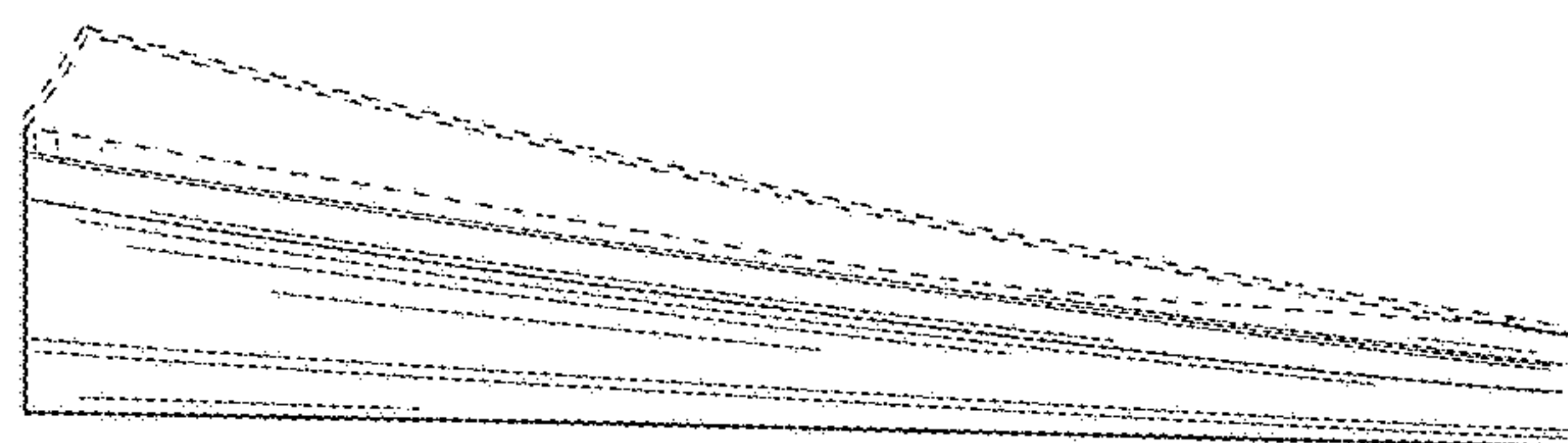


FIG. 6

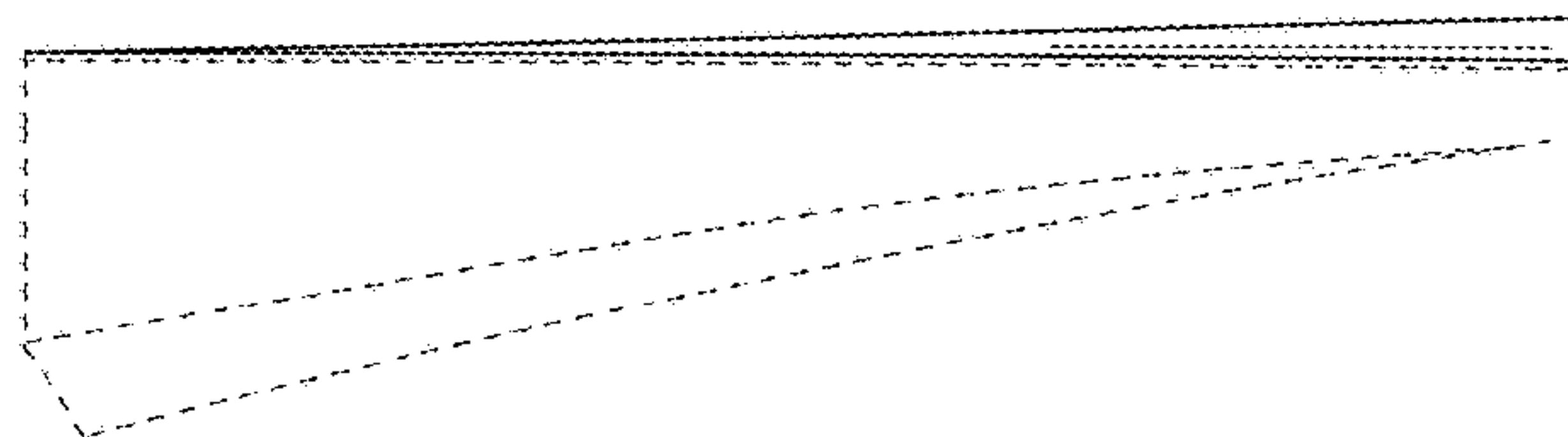


FIG. 7

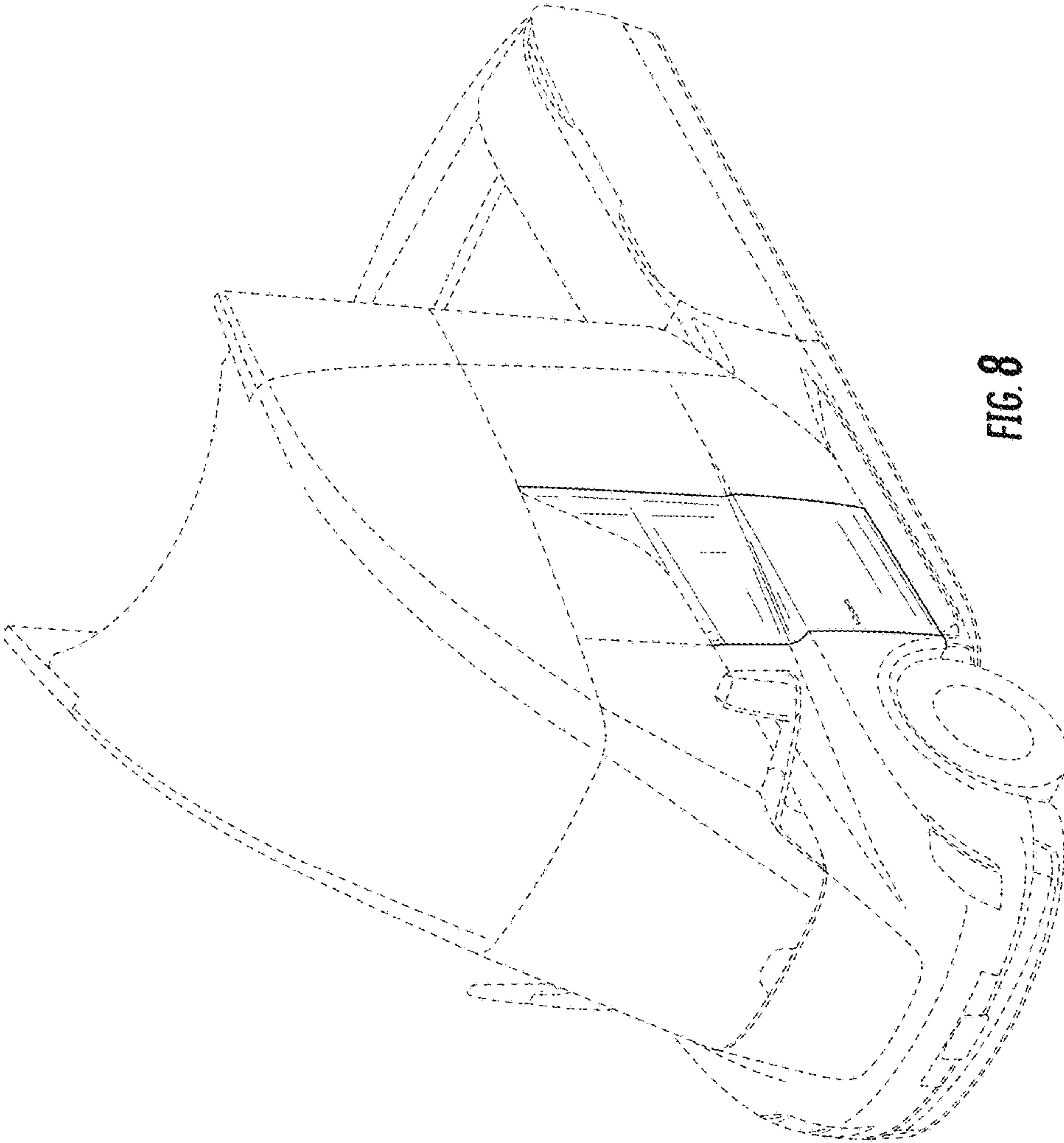


FIG. 8